

Sanitary Butterfly Valves

卫生级蝶阀系列



卫生级气动 / 手动蝶阀 Sanitary Pneumatic/Manual Butterfly Valve

应用：

该类型阀门系列是一款卫生型自动或手动操作的蝶阀系列，广泛适用于不锈钢管道系统内调节介质流量的一类阀门。

Application:

The series of this valve is a kind of sanitary pneumatic or manual handle butterfly valve, which are widely used in stainless steel pipeline system to control and regulate medium flow.

工作原理：

该类型阀门既可以通过一个电动执行器或气动执行器进行远程遥控操作，也可以通过一个手柄进行人为操控。

电动执行器或气动执行器是将一个活塞的轴向运动转换为阀门轴的90°旋转，实现对管道流体的控制和开/关任务。气动执行器装置有三种标准：常开（NO）型，常闭（NC）型，气/气（A/A）型。

鸭嘴式手动操作的多位手柄可通过15°位置的调节将阀门机械式锁定在其开启或关闭的12位子上，达到控制介质流量的目的：

拉杆式手动操作手柄通过4个多功能定位，将阀门机械式锁定在其开启或关闭的4个位子上，也达到控制介质流量的目的。

材料：

钢制部件：不锈钢 304、耐酸钢 316L

密封圈：硅橡胶（VMQ）

氟橡胶（FPM）

三元乙丙（EPDM）

Material:

steel parts: stainless steel 304 ,
stainless steel 316L.

Seal: silicone (VMQ)
fluoroelastomer (FPM),
EPDM

Work Principle:

This kind of valve can be handled both by manual or an electric actuator, and also can be handled by a pneumatic actuator.

Electric actuator or pneumatic actuator is to convert the axial movement of piston to be 90° rotation of valve shaft. So that the valve can be open or close to achieve the requirement of control and open/close for the pipeline system. They have three type of actuator : normally open (NO) , normally closed (NC), air/ air (A/A).

Muti-position handle regulates the valve by 15° in its open or close 12 seat, and achieve control of medium flow purpose:

Pulling handle regulates the valve through four multi-function positioning, in its open or close four position, and also achieves control of medium flow purpose.



标准设计

有各种标准的阀门系列可以向客户提供,即用于 DIN 标准系列,3A 标准系列,ISO/IDF 标准系列,BS/RJT 标准系列,ASME/BPE 等标准系列。

该阀门的组成部件一般包括:一个分为两半的阀体,阀门芯片,芯片轴的轴衬套以及轴密封圈,整个阀门是用螺栓及螺母组装在一起。三片式阀门同时还包括两个法兰以及两个法兰密封圈。

SENMING 现有的蝶阀系列有:焊接式蝶阀、卡箍式蝶阀、外螺纹式蝶阀、焊接-外螺纹式蝶阀、由任-外螺纹式蝶阀、三片式蝶阀等各种蝶阀。

SENMING 现有的执行器包括:1. 不锈钢气动执行器,可提供 $\varnothing 85$, $\varnothing 108$ 和 $\varnothing 133$ 三种规格;2. 铝制气动执行器,可提供 ZT050D、ZT063D、ZT075D、ZT088D、ZT100D、ZT115D 六种产品规格;3. 电动执行器,可提供 HL-05、HL-10、HL-20 的产品规格

执行器是用一个托架和螺丝固定在阀门上。

SENMING 现有用于手动操作的手柄规格类型有:

1. 拉杆手柄,可提供两种不同的产品规格;
2. 多位不锈钢鸭嘴式手柄一种规格可配阀门规格:
DN10~DN100/3A 3/4"~4"/SMS 19~102 / DS 1"~4" / 1S0. IDF $\varnothing 19$ - $\varnothing 108$
3. 多位塑料鸭嘴式手柄一种规格可配阀门规格:(与不锈钢鸭嘴式手柄相同)
手动操作的手柄是用阀盖/轴系统和一颗螺丝固定在阀门上。

Standard Design:

Various standards of valves can be provided to clients: DIN,3A,SMS,ISO/IDF,BS/RJT,ASME/BPE etc.

The parts of valve usually include: two pieces body of valve,disc,gasket of valve disc,gasket,and the entire valve is assemble together with bolts and nuts.3 piece butterfly valve also include two flanges and two gaskets of flange.

The series of SENMING butterfly valve: welded,clamp,male,weld/male,union/male,three pieces ect.

The series of actuator:1.stainless steel pneumatic actuators specification: $\varnothing 85$, $\varnothing 108$ and $\varnothing 133$; 2.Aluminum pneumatic actuators,specification:ZT050D,ZT063D,ZT075D,ZT088D,ZT100D,ZT115D; 3.Electric actuators,specification:HL-05,HL-10,HL-20

Actuator is fixed in the valve(by a bracket and bolts.)

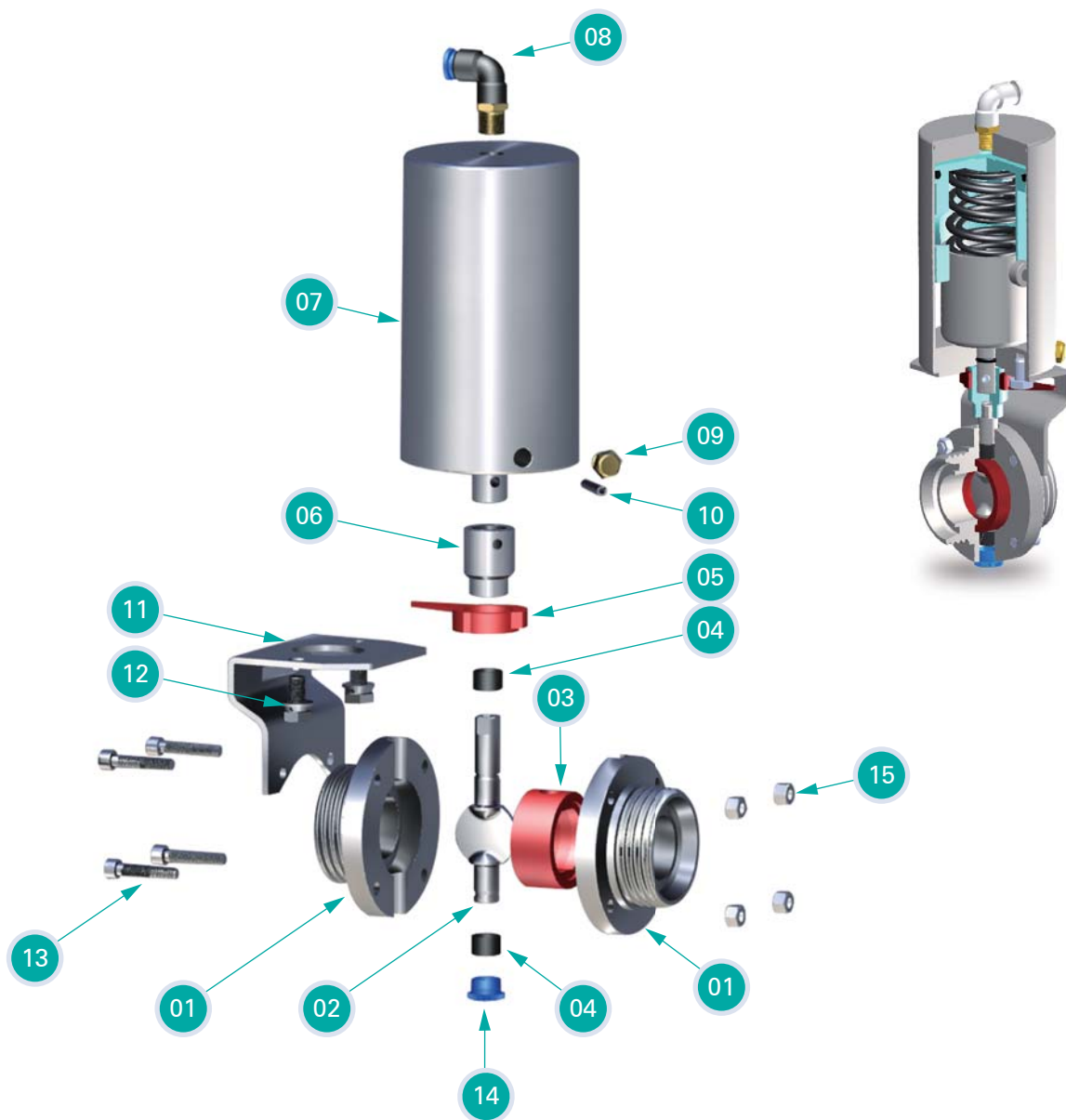
The specification of SENMING manual handle as follows:

- 1.Pulling handle, we can supply two kinds of specification
2. Multi-position stainless steel handle can be used on the specification as follows:
DN10~DN100/ 3A 3/4"~4" / SMS19~102/ DS1"~4" / 1S0.IDF $\varnothing 19$ - $\varnothing 108$
- 3.Multi-position plastic handle can be used on the specification are the same as the stainless steel multi-position handle.

The handle is fixed by a bolt.

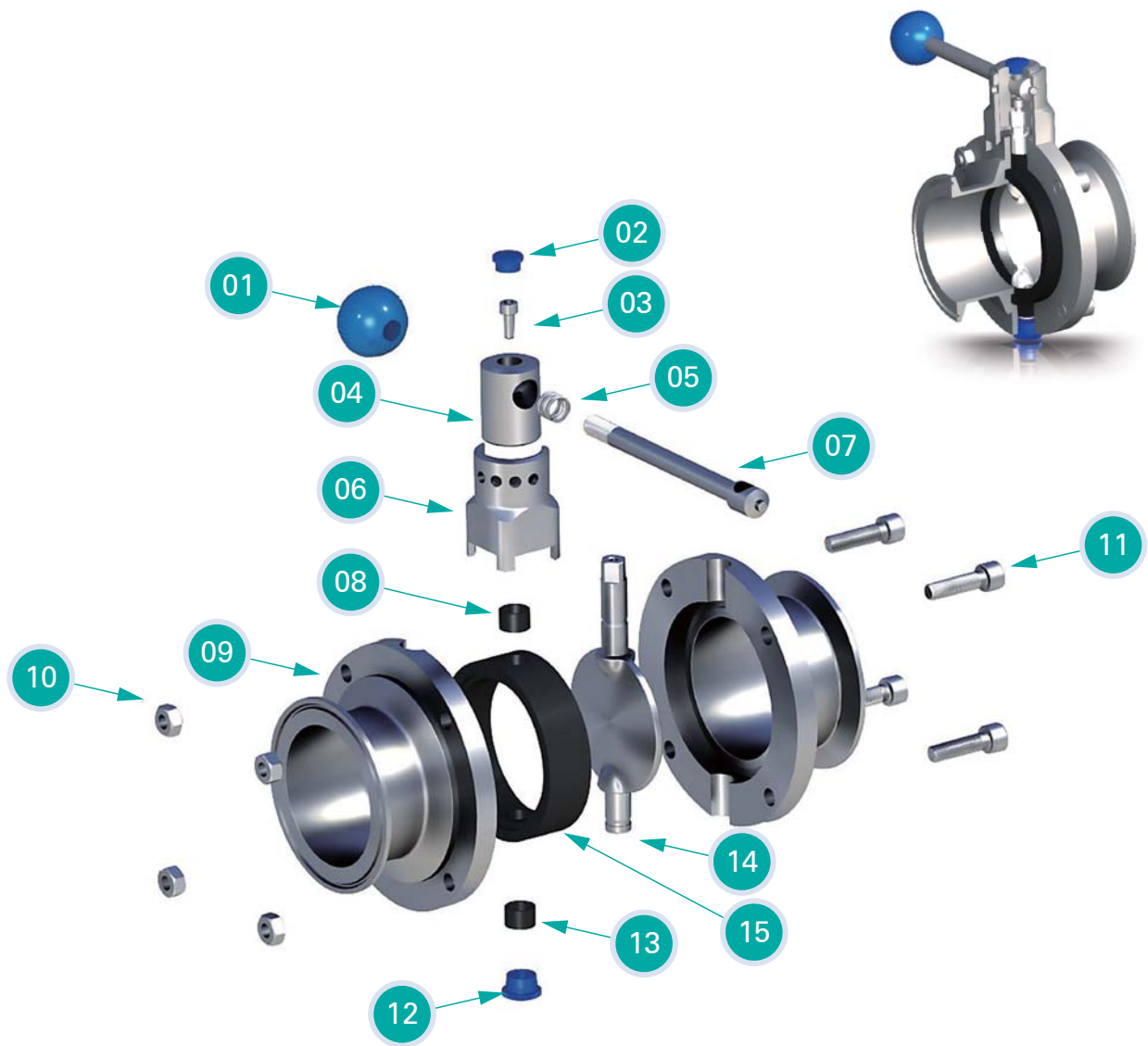


卫生级气动蝶阀 Sanitary Pneumatic Butterfly Valve



Parts List			
No.	Description	No.	Description
01	阀体 Valve Body	10	销钉 Dowel
02	蝶板 Dish Plate	11	支架 Hanger
03	密封圈 Seal Ring	12	螺钉 Bolt
04	衬套 Bush	13	螺钉 Bolt
05	指示针 Direction Pin	14	塑料塞 Plastic Plug
06	连接套 Connection Sleeve	15	螺母 Nut
07	气动头 Pneumatic Heud		
08	气管接头 Gas-type Fitting		
09	消声器 Silencer		

卫生级手动蝶阀 Sanitary Manual Butterfly Valve



Parts List

No.	Description	No.	Description
01	手柄球 Handle Ball	09	阀体 Valve Body
02	塑料塞 Plastic Plug	10	螺母 Nut
03	螺钉 Bolt	11	螺钉 Bolt
04	旋转头 Rotary Head	12	塑料塞 Plastic Plug
05	弹簧 Spring	13	衬套 Bush
06	外套 Coat	14	蝶板 Dish Plate
07	拉杆 Draw Bar	15	密封圈 Seat Ring
08	衬套 Bush		

技术参数 Technical Data

金属材质 Material	与产品接触的零部件 Contact with the product components	304L / 316L (1.4306 / 1.4404) 锻造 304L / 316L (1.4306 / 1.4404) Forging	可提供材质检测报告单 Can provide material inspection report
	不与产品接触的零部件 Material No contact with the product components	304 / 202 (1.4301 / 202)	
密封材质 Sealing material	标配 Standard	硅橡胶 VMQ	采用进口密封材料，所有密封材质均符合 FDA 117.2600 Adopt import sealing materials, with all the seal material The FDA 117.2600
	选配 Option	三元乙丙 EPDM / 氟橡胶 (FPM)	
压力 Pressure	工作压力 Pressure of work	0~10bar	
	控制气源压力 Control air pressure	5~8bar	
温度 Temperature	工作温度 Working temperature	VMQ:(-50 ~ +180°C) EPDM :(-20 ~ +135°C) FPM:(-30 ~ +230°C)	
	灭菌温度 Sterilization temperature	150°C (MAX 20min)	
表面处理 Surface treatment	内表面处理 Inside surface treatment	Ra ≥ 0.4-0.8 μm	
	外表面处理 Surface treatment	Ra ≥ 0.8-1.6 μm	
连接方式 Connection	焊接端管径 The diameter welding	焊接口：DIN 11850 - 2 与 11850-1 / SMS / 3A / ISO 等系列 Welding mouth: DIN 11850-2 with 11850-1 / SMS / 3A / ISO Series etc	
	连接方式：焊接、快装、外螺纹、内螺纹、法兰等 Connection mode: welding, fast loading, male and female, flange, etc		
选配驱动 Optional driven	智能控制 Brainpower		
	气动控制 Pneumatic control	气动头及固定支架 Pneumatic head and fixed bracket	
蝶阀的体积流量：单位时间内流过蝶阀某横截面积的流体体积 Butterfly valve volume flow: flow through the butterfly valve per unit time of a cross-sectional area of the fluid volume		体积流量：立方米 / 小时 (m ³ /h) 详细技术数据请参阅 (下页) Volume flow: cubic meters / hour (m ³ / h) detailed technical data please refer to the (next page)	

Connection Type



焊接式
Welded



快装式
Clamp



螺纹式
Threaded



焊接 - 螺纹式
Welded-Threaded



由任 - 螺纹式
Union-Threaded

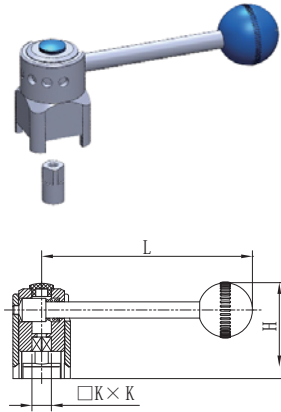


三片式
Three-piece

手柄 Handle

No.01

调节方式:2个定位、3个定位、4个定位;该手柄可装配所有蝶阀、蝶式球阀。
Adjustment:two positions,three positions,four positions The handle can match with all butterfly valves and butterfly-type ball valves



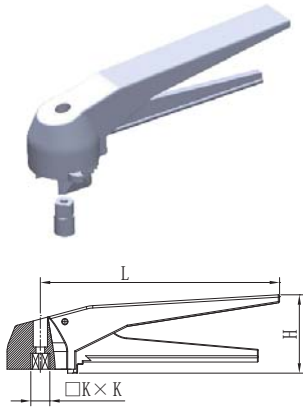
拉杆手柄 Pulling Handle

可配蝶阀 Match With Butterfly Valve	L	H	KXK
1/2"-2 1/2" DN15-DN65	136.0	41	10.0x10.0
3.0"-4.0" DN80-DN100	163.0	56	10.0x10.0
6.0"-8.0" DN125-DN150	185.0	59	14.0x14.0

可配蝶式球阀 Match With Butterfly-type Ball Valve	L	H	KXK
1/2"-2 1/2" DN15-DN65	136.0	41	10.0x10.0
3.0"-4.0" DN80-DN100	163.0	56	10.0x10.0

No.02

调节方式:可通过 15°位置调节开启大小,该手柄可装配所有蝶阀、蝶式球阀;规格:DN15-100, 1/2"-4"
Adjustment:adjust open distance with 15° positions The handle can assemble all of butterfly valves Size : DN15-100, 1/2 "-4"



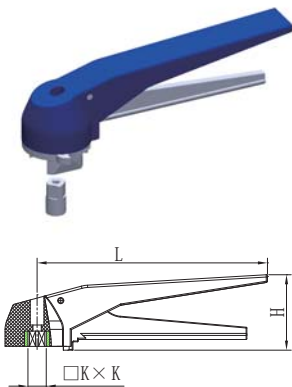
多位不锈钢手柄 Multi-Position Stainless Steel Handle

可配蝶阀 Match With Butterfly Valve	L	H	KXK
1/2"-4.0" DN15-DN100	155.0	46.0	10.0x10.0

可配蝶式球阀 Match With Butterfly-type Ball Valve	L	H	KXK
1/2"-4.0" DN15-DN100	155.0	46.0	10.0x10.0

No.03

调节方式:可通过 15°位置调节开启大小,该手柄可装配所有蝶阀、蝶式球阀;规格:DN15-100, 1/2"-4"
Adjustment:adjust open distance with 15° positions The handle can assemble all of butterfly valves Size : DN15-100, 1/2 "-4"



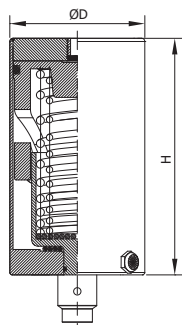
多位塑料手柄 Multi-position Plastic Handle

可配蝶阀 match with butterfly valve	L	H	KXK
1/2"-4.0" DN15-DN100	155.0	46.0	10.0x10.0

可配蝶式球阀 Match With Butterfly-type Ball Valve	L	H	KXK
1/2"-4.0" DN15-DN100	155.0	46.0	10.0x10.0

执行器 Actuator

No.04

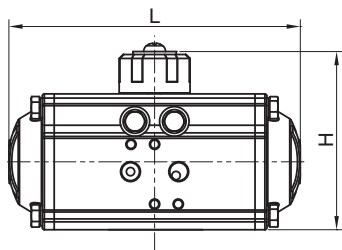


气动装置有三种标准：常开、常闭、气/气；
控制设备：可装配信号反馈装置、电磁阀等通过这些附件可与自动化系统远程控制系统等相连接。
Three types of pneumatic device: closed, opened and closed by two air flues separately.
Control set: can match with feedback device, solenoid valve etc, with help to connect with the automatic system and remote control system.

不锈钢气动执行器 Stainless Steel Pneumatic Actuator

Size	D	H	可配蝶阀 match with butterfly valve		可配蝶式球阀 match with butterfly-type ball valve	
Ø85	85.0	150.0	1"-2.5"	DN20-DN65	1"-1.5"	DN20-DN40
Ø108	108.0	180.5	3"-4"	DN80-DN100	2"-2.5"	DN50-DN65
Ø133	133.0	250.0	5"-10"	DN125-DN150	3"-4"	DN80-DN100

No.05

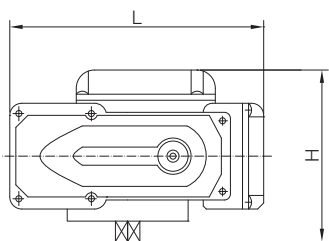


气动装置有三种标准：常开、常闭、气/气；
控制设备：可装配信号反馈装置、电磁阀等通过这些附件可与自动化系统远程控制系统等相连接。
Three types of pneumatic device: closed, opened and closed by two air flues separately.
Control set: can match with feedback device, solenoid valve etc, with help to connect with the automatic system and remote control system.

铝制气动执行器 Aluminium pneumatic actuator

Size	L	H	可配蝶阀 match with butterfly valve		可配蝶式球阀 match with butterfly-type ball valve	
ZT050D	140	89	1"-1.25"	DN20-DN32	0.75"-1"	DN15-DN25
ZT063D	159	105	1.5"-2.5"	DN40-DN65	1.5"-2"	DN32-DN50
ZT075D	210	122	3"-3.5"	DN80	2.5"-3"	DN65-DN80
ZT088D	248	135	4"-5"	DN100-DN125	3"-4"	DN80-DN100
ZT100D	270	147	5"	DN125	4"	DN100
ZT115D	315	165	6"	DN150		

No.06



电动装置：开关到位灯、无源接触点信号、机内智能控制、1K 5K 电位计
Electric: on-off indicator light, passive contact signal, intelligent control, 1k 5k potentiometer

电动执行器 Motor-driven Actuator

Size	L	H	H1	可配蝶阀 match with butterfly valve		可配蝶式球阀 match with butterfly-type ball valve	
HL-05	157.5	115.0	103.0	1"-4"	DN20-DN100	1"-2"	DN15-DN25
HL-10	208.0	124.0	115.0	5"-8"	DN125-DN200	2 1/2"-3"	DN32-DN50
HL-20	280.0	135.0	109.0			4"	DN100

不锈钢气动执行器 Stainless Steel Pneumatic Actuator

应用:

该类型执行器广泛适用于不锈钢管道系统内各类阀门的控制:蝶阀类、蝶式球阀类及球阀等。

Application:

This type of actuator is extensive apply to different kinds of valve on stainless steel pipeline system, such as butterfly valves, butterfly type ball valves, ball valves.

工作原理:

单作用式 (弹簧复位)

压缩空气从气管接口 (A) 进入气缸与换向副件活塞 (B) 之间中空时, 使活塞分离向气缸底部方向移动, 迫使弹簧压缩, 气缸的空气通过排气口 (C) 排出, 同时使活塞 (B) 通过导向槽带动换向主件 (D) 逆时针方向旋转 90 度。(即阀门开启)

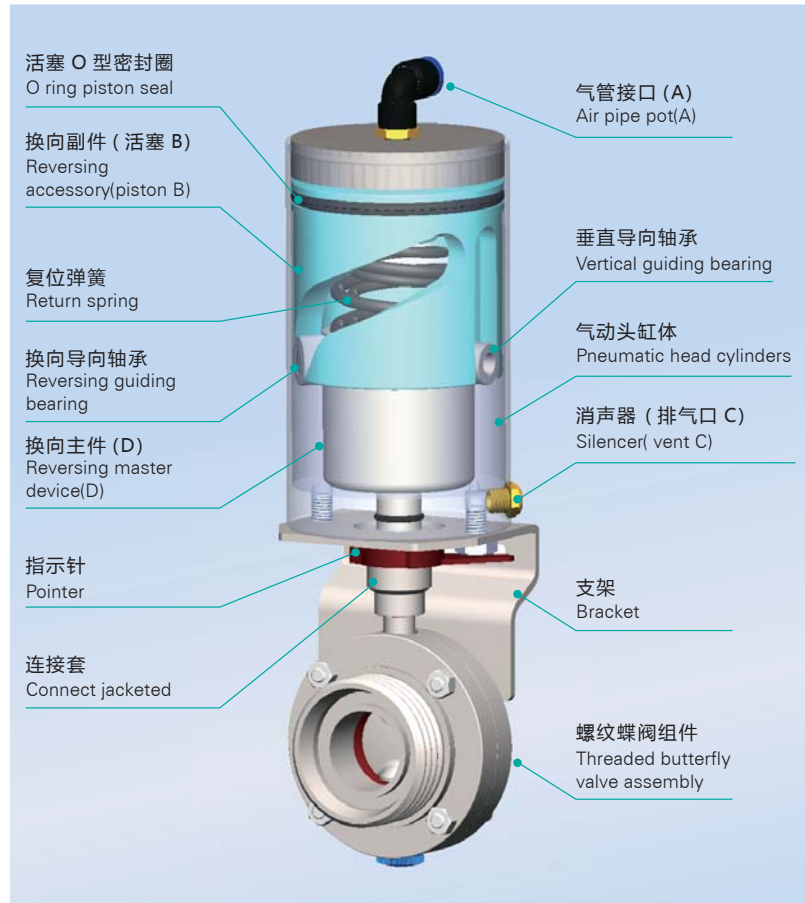
在压缩空气经过电磁阀换向后, 气缸的活塞 (B) 在弹簧的弹力下向顶部方向移动。中间气腔的空气顺气管接口方向由电磁阀排出, 同时使活塞 (B) 通过导向槽带动换向主件 (D) 顺时针方向旋转 90 度。(即阀门关闭)

Working Principle:

Single function (spring reset)

Compressed air from the air intake(A) to enter into the space between the cylinder and the reversing accessory piston(B), made the plunger separate and move to the bottom of cylinder, force the spring compressed, the air of cylinder is discharge through the vent (C), make the piston(B) anti-clockwise 90 degree rotation through guide groove drive Reversing master device(D) in the meantime. (means valve opened)

After the solenoid valve for compressed air backward, the piston(B) cylinder move to the top under the elastic spring. The air of middle air cavity is discharge through the air pipe connector by solenoid valve. At that moment the piston(B) clockwise 90 degree rotation through the guide groove drive Reversing master device(D). (means valve closed)



标准设计:

单作用式 (弹簧复位), 不锈钢执行器型号 Φ85:

环境温度 -20 ° ~90 ° / 气源压力 0.2~0.8MPa (最大 1.0MPa), 滑动摩擦部分增置无油轴承增加使用寿命, 另有 Φ108 和 Φ133 两种型号执行器, 这三种不锈钢执行器可装配 DN20-DN200; 3/4 寸 -6 寸的各类蝶阀、球阀、碟式球阀。

控制设备: 可装配信号反馈装置、智能头、电磁阀等通过这些附件可与自动化系统远程控制相连接。

材料:

钢制部件: 不锈钢304、不锈钢316L
密封件: 硅橡胶 (VMQ)、氟橡胶 (FPM) 三元乙丙 (EPDM)

Material:

Steel parts: SS304, SS316L
Seal: VMQ, FPM, EPDM

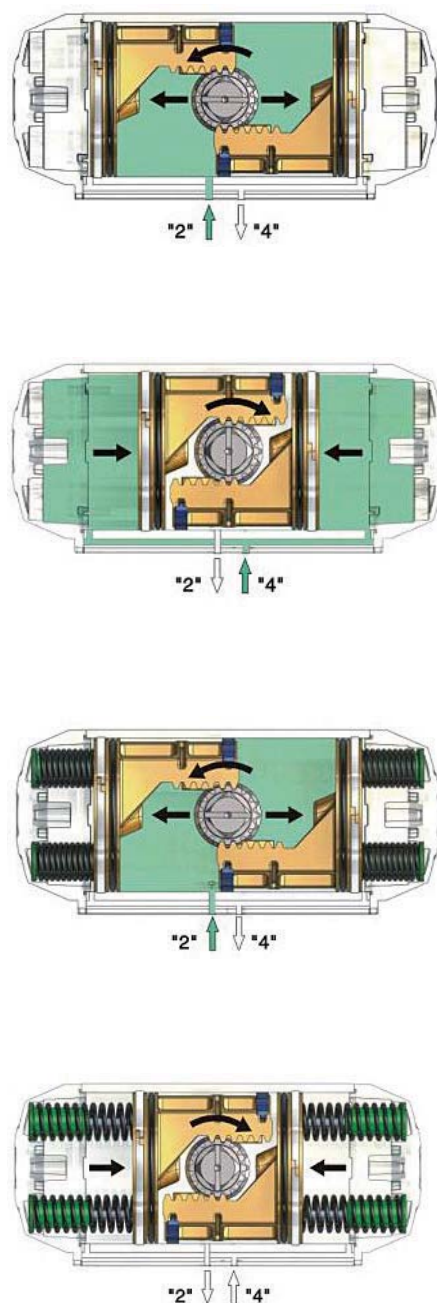
Standard Design:

Single function (spring reset), stainless steel actuator type Φ85:

working environment temperature -20 ° ~90 ° / air pressure 0.2~0.8MPa (Max. 1.0MPa), Oil-free bearing is added at the sliding friction part to enhance service life. We are also have two type of actuator: Φ108 and Φ133, the 3 types of SS actuator can fit for different kind of butterfly valve, ball valve and butterfly ball valve etc.

Control equipment: it can be connected with automation long distance control system by feedback device, control head, magnetic valve etc.

铝制气动执行器 Pneumatic Aluminum Actuator



工作原理和旋转方向

Operation Principle and Rotation Direction

标准旋转方向是顺时针关，逆时针开

Standard rotation direction, clockwise to closed, and inverted hour to open.

- 双作用的操作原理（标准转向）俯视
当气源压力从 2 口进入迫使活塞分开朝端盖方向移动，空气从 4 口排出，从而获得逆时针方向旋转。

- Operation principle of double action standard vertical view.(standard rotation)

The air of port "2" drive the piston moving to the two end covers that the air expected from port "4" and then making the driving shaft run inverted hour.

当气源压力从 4 口进入迫使活塞合拢，空气从 2 口排出，从而获得顺时针方向旋转。

The air of port "4" drive the piston moving to the center that the air exhausted from port "2", Then making the shaft clockwise turning.

- 单作用的操作原理（标准转向）俯视：
当气源压力从 2 口进入迫使活塞分开朝端盖方向移动，同时压缩弹簧，空气从 4 口排出，从而获得逆时针方向旋转。

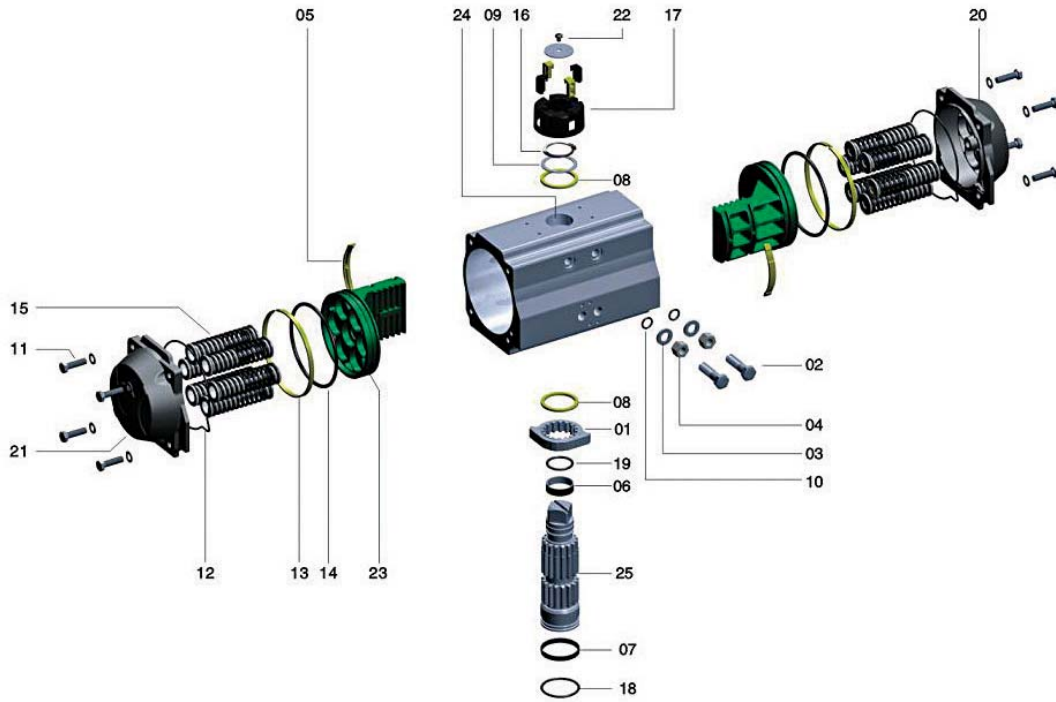
- Operation principle of single action standard vertical view.(standard rotation)

The air pressure of port "2" drive the piston moving to the side end covers at the same time compress the spring, the air exhausted from port "4", then make driving shaft inverted hour runs.

失气或失电时，弹簧使活塞合拢，空气从 2 口排出，从而获得顺时针方向旋转。

The air source of the power supply stopped, the spring drives the piston moving to the center that the air exhausted from port "2", make the driving shaft clockwise running.

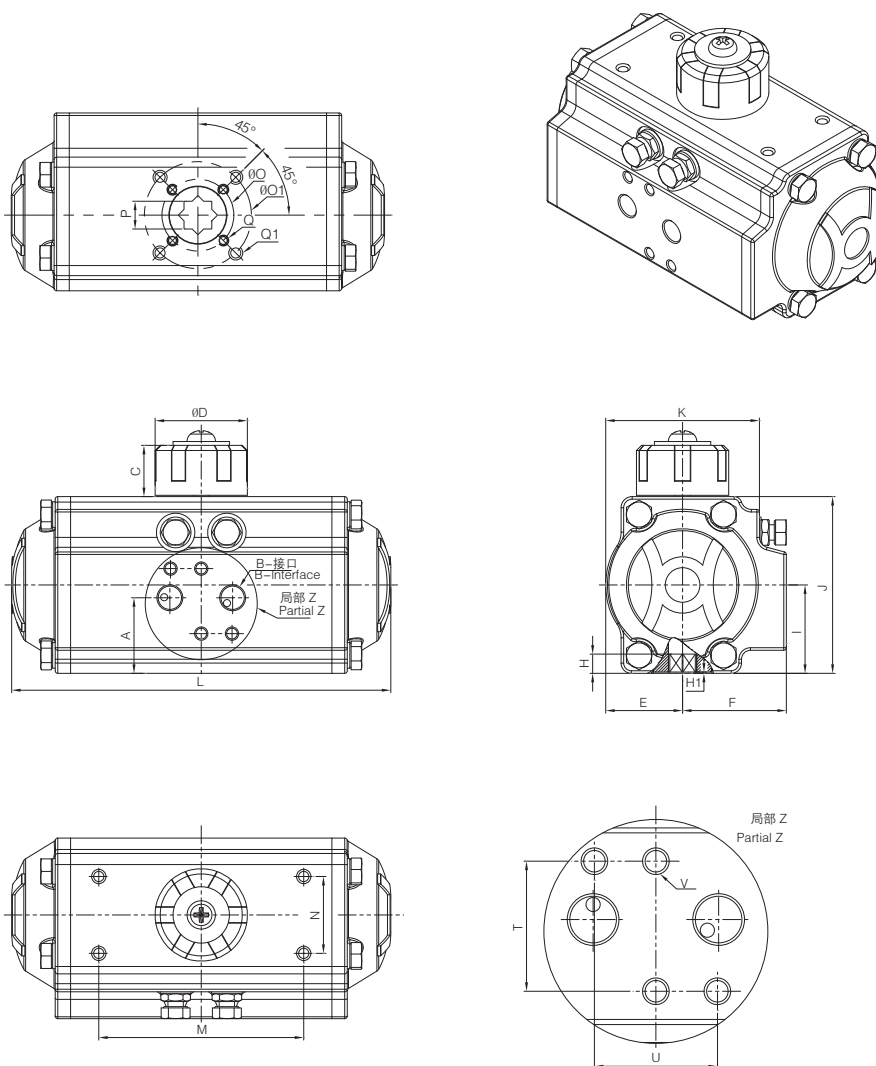
铝制气动执行器 Pneumatic Aluminum Actuator



主要零部件及材料 Mainly Partial and Materials

零件号 Parts No.	单台数量 Single quantity	零件名称 Parts Name	标准材料 Standard Materials	防腐处理 Anti-corrosion Level	备选材质 Backun material
01	1	调整凸轮 Adjusting cam	不锈钢 stainless steel		
02	2	调节螺栓 Adjusting bolt	不锈钢 stainless steel		
03	2	垫圈 Gasket	不锈钢 stainless steel		
04	2	螺母 Nut	不锈钢 stainless steel		
05	2	导向轴瓦 (活塞北面) Direction of bashing(back of piston)	复合材料 comosite material		
06	1	轴承耐磨环 (齿轴顶部) Bearing wear ring(top)	尼龙 46 nylon 46		
07	1	轴承耐磨环 (齿轴底部) Bearing wear ring(end)	尼龙 46 nylon 46		
08	2	推力垫片 (齿轴) Trusting gasket(drive axes)	复合材料 composite material		
09	1	推力垫圈 (齿轴) Trusting rings(drive axes)	不锈钢 stainless steel		
10	2	O型圈 (调节螺栓) O-ring(adjusting bolt)	丁腈橡胶 NBR		氟或硅橡胶 Fluorine or silastic
11	8	端盖螺栓 (端盖) End cover bolt(end cover)	不锈钢 stainless steel		
12	2	O型圈 (端盖) O-rings(end covers)	丁腈橡胶 NBR		氟或硅橡胶 Fluorine or silastic
13	2	耐磨复合环 (活塞) Abrasion proof composition ring(piston)	复合材料 composite material		
14	2	O型圈 (活塞) O-rings(piston)	丁腈橡胶 NBR		氟或硅橡胶 Fluorine or silastic
15	5-12	弹簧 Spring	合金弹簧钢 alloy spring steel	环氧树脂涂层 Epoxy resin coat	
16	1	弹性挡圈 Flexible ring	不锈钢 stainless steel		
17	1	多功能位置指示器 Position indicator	复合材料 composite material		
18	1	O型圈 (齿轴底部) O-rings(end)	丁腈橡胶 NBR		氟或硅橡胶 Fluorine or silastic
19	1	O型圈 (齿轴顶部) O-rings(top)	丁腈橡胶 NBR		氟或硅橡胶 Fluorine or silastic
20	1	右端盖 end cover	铸铝合金 casting aluminum alloy	聚脂涂层 Polyester coating	
21	1	左端盖 end cover	铸铝合金 casting aluminum alloy	聚脂涂层 Polyester coating	
22	1	螺钉 Screw	不锈钢 stainless steel		
23	2	活塞 Piston	铸铝合金 casting aluminmn alloy	阳极氧化 Anodze oxidation	
24	1	缸体 Cylinder	挤压铝合金 Extrusion alminiumalloy	硬质阳极氧化 Hard coat anodze	
25	1	齿轴 driving axes	碳钢 carbon	镀镍 Nickel olated	不锈钢 stainless steel

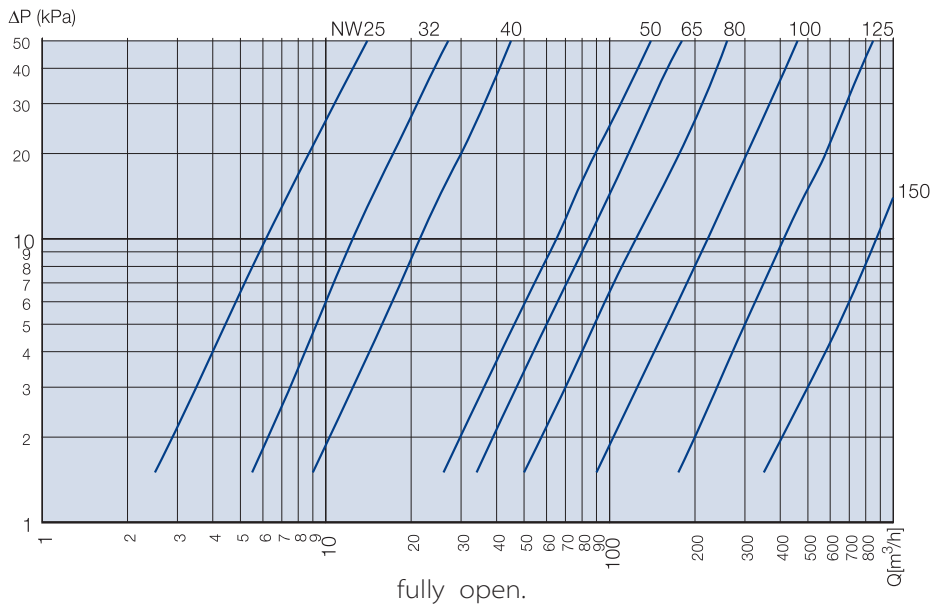
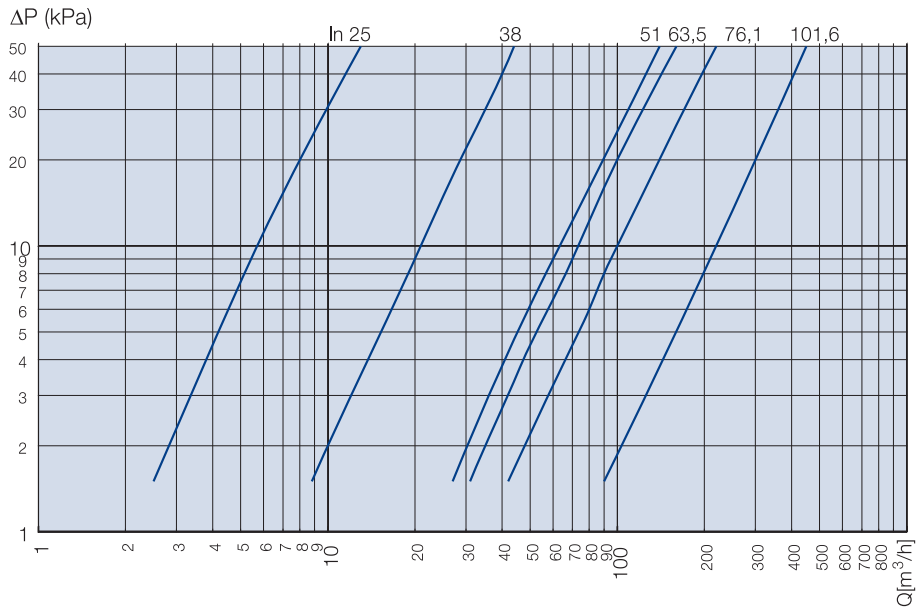
铝制气动执行器 Pneumatic Aluminum Actuator



主要外形连接尺寸 Mainly Outside Size

Size	L	A	C	D	E	F	H	H1	I	J	K	U	T	V	M	N	O	P	Q	O1	Q1
ZT050	146.5	26.5	20	40	29.0	41.5	13	0.5	34.5	69	59	24	32	M5×8	80	30	42	11	M5	-	-
ZT063	160.5	30.0	20	40	36.0	47.0	16	0.5	42.5	85	72	24	32	M5×8	80	30	50	14	M6	-	-
ZT075	217.0	31.0	20	40	42.5	52.0	19	1.5	51.0	102	84.5	24	32	M5×8	80	30	50	17	M6	70	M8
ZT088	250.0	33.0	20	40	49.5	56.5	19	1.5	57.5	115	97.5	24	32	M5×8	80	30	50	17	M6	70	M8
ZT100	268.5	37.5	20	40	56.0	67.0	24	1.5	63.5	127	110	24	32	M5×8	80	30	70	22	M8	102	M10
ZT115	315.0	43.0	30	56/65	64.0	77.0	24	1.5	72.5	145	122	24	32	M5×8	80	30	70	22	M8	102	M10

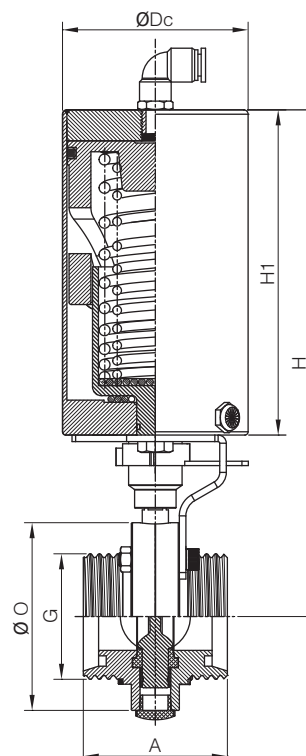
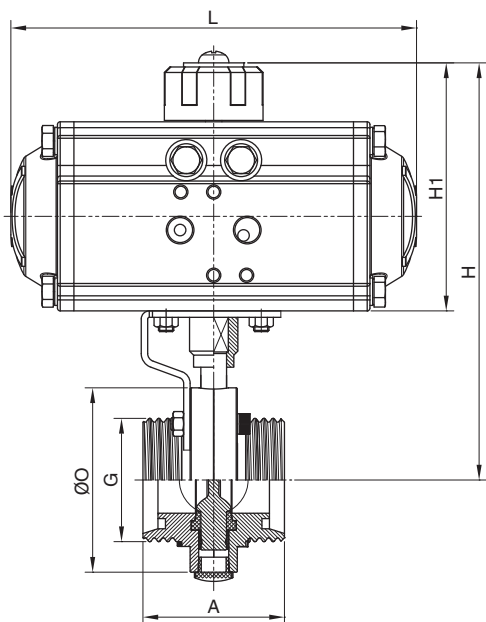
处理能力/压力降对比图
Capacity/Pressure Drop Diagrams



注意!
这些曲线图示数据的测定系基于:
介质: 水(水温20°C)
测量: 符合VDI 2173.

NOTE!
For the diagrams the following applies:
Medium: Water (20°C).
Measurement: In accordance with VDI 2173.

DIN 卫生级蝶阀系列 Sanitary Butterfly Valves



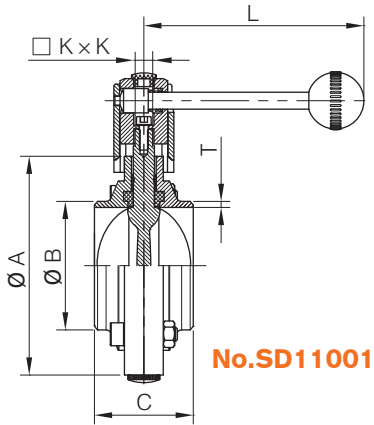
横式气动蝶阀 Horizontal Type Pneumatic Butterfly Valve						
Size	O	G	A	L	H1	H
DN20	78.0	RD44X1/6	66.0	140	89	166.5
DN25	78.0	RD52X1/6	66.0	140	89	166.5
DN32	86.0	RD58X1/6	66.0	140	89	166.5
DN40	90.0	RD65X1/6	70.0	159	105	186.0
DN50	106.0	RD78X1/6	76.0	159	105	192.0
DN65	124.0	RD95X1/6	80.0	159	105	197.0
DN80	139.0	RD110X1/4	84.0	210	122	225.0
DN100	159.0	RD130X1/4	104.0	248	135	260.0
DN125	185.0	RD160X1/4	130.0	248	135	274.0
DN150	225.0	RD190X1/4	150.0	315	165	330.0

气动蝶阀 Pneumatic Butterfly Valve						
Size	O	G	A	Dc	H1	H
DN20	78.0	RD44X1/6	66.0	85.0	150.0	227.5
DN25	78.0	RD52X1/6	66.0	85.0	150.0	227.5
DN32	86.0	RD58X1/6	66.0	85.0	150.0	227.5
DN40	90.0	RD65X1/6	70.0	85.0	150.0	231.0
DN50	106.0	RD78X1/6	76.0	85.0	150.0	237.0
DN65	124.0	RD95X1/6	80.0	85.0	150.0	242.0
DN80	139.0	RD110X1/4	84.0	85.0	180.5	283.5
DN100	159.0	RD130X1/4	104.0	108.0	180.5	295.5
DN125	185.0	RD160X1/4	130.0	108.0	250.0	389.0
DN150	225.0	RD190X1/4	150.0	133.0	250.0	415.0

其他款式与标准气动、电动蝶阀请参照蝶阀图 (O、G、A、H)
Please refer to butterfly valve drawings for other pneumatic, electric butterfly valves

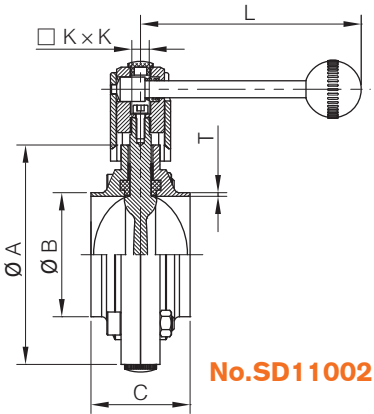
DIN

卫生级蝶阀系列 Sanitary Butterfly Valves



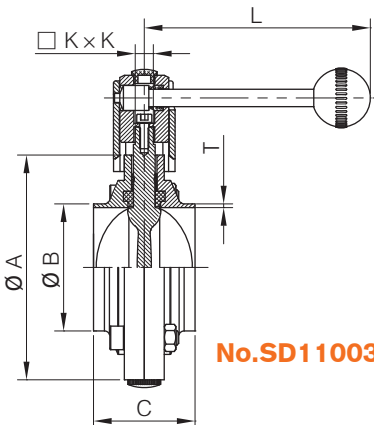
No.SD11001

焊接式蝶阀 Welded Butterfly Valve (DN11851)						
Size	A	B	KxK	C	L	T
DN10	78.0	15.0	10x10	50.0	136.0	2.5
DN15	78.0	21.0	10x10	50.0	136.0	2.5
DN20	78.0	25.0	10x10	50.0	136.0	2.5
DN25	78.0	31.0	10x10	50.0	136.0	2.5
DN32	86.0	37.0	10x10	50.0	136.0	2.5
DN40	90.0	43.0	10x10	50.0	136.0	2.5
DN50	106.0	55.0	10x10	52.0	136.0	2.5
DN65	124.0	72.0	10x10	56.0	136.0	3.0
DN80	139.0	87.0	10x10	58.0	163.0	3.0
DN100	159.0	106.0	10x10	64.0	163.0	3.0
DN125	185.0	132.0	14x14	75.0	185.0	3.5
DN150	225.0	157.0	14x14	80.0	185.0	3.5



No.SD11002

焊接式蝶阀 Welded Butterfly Valve (DN11850-1)						
Size	A	B	KxK	C	L	T
DN10	78.0	12.0	10x10	50.0	136.0	1.5
DN15	78.0	18.0	10x10	50.0	136.0	1.5
DN20	78.0	22.0	10x10	50.0	136.0	1.5
DN25	78.0	28.0	10x10	50.0	136.0	1.5
DN32	86.0	34.0	10x10	50.0	136.0	1.5
DN40	90.0	40.0	10x10	50.0	136.0	1.5
DN50	106.0	52.0	10x10	52.0	136.0	1.5
DN65	124.0	70.0	10x10	56.0	136.0	2.0
DN80	139.0	85.0	10x10	58.0	163.0	2.0
DN100	159.0	104.0	10x10	64.0	163.0	2.0
DN125	185.0	129.0	14x14	75.0	185.0	2.0
DN150	225.0	154.0	14x14	80.0	185.0	2.0



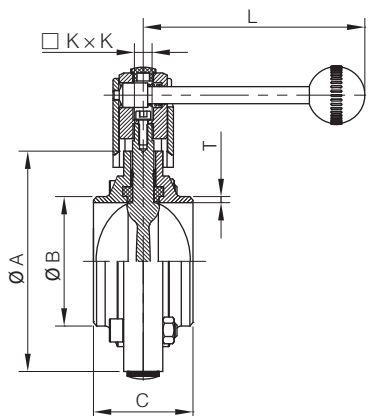
No.SD11003

焊接式蝶阀 Welded Butterfly Valve (DN11850-2)						
Size	A	B	KxK	C	L	T
DN10	78.0	13.0	10x10	50.0	136.0	1.5
DN15	78.0	19.0	10x10	50.0	136.0	1.5
DN20	78.0	23.0	10x10	50.0	136.0	1.5
DN25	78.0	29.0	10x10	50.0	136.0	1.5
DN32	86.0	35.0	10x10	50.0	136.0	1.5
DN40	90.0	41.0	10x10	50.0	136.0	1.5
DN50	106.0	53.0	10x10	52.0	136.0	1.5
DN65	124.0	70.0	10x10	56.0	136.0	2.0
DN80	139.0	85.0	10x10	58.0	163.0	2.0
DN100	159.0	104.0	10x10	64.0	163.0	2.0
DN125	185.0	129.0	14x14	75.0	185.0	2.0
DN150	225.0	154.0	14x14	80.0	185.0	2.0

DIN

卫生级蝶阀系列
Sanitary Butterfly Valves

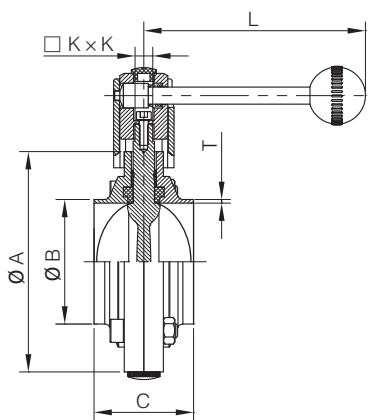
No.SD11004



焊接式蝶阀
Welded Butterfly Valve (DN11851)

Size	A	B	KxK	C	L	T
DN10	87.0	15.0	10x10	50.0	136.0	2.5
DN15	87.0	21.0	10x10	50.0	136.0	2.5
DN20	87.0	25.0	10x10	50.0	136.0	2.5
DN25	87.0	31.0	10x10	50.0	136.0	2.5
DN32	92.0	37.0	10x10	50.0	136.0	2.5
DN40	97.0	43.0	10x10	50.0	136.0	2.5
DN50	110.0	55.0	10x10	52.0	136.0	2.5
DN65	127.0	72.0	10x10	56.0	136.0	3.0
DN80	142.0	87.0	10x10	58.0	163.0	3.0
DN100	162.0	106.0	10x10	64.0	163.0	3.0
DN125	190.0	132.0	14x14	75.0	185.0	3.5
DN150	225.0	157.0	14x14	80.0	185.0	3.5

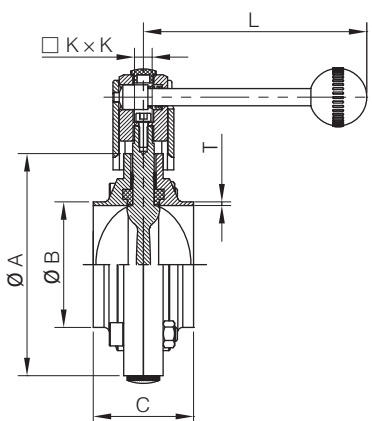
No.SD11005



焊接式蝶阀
Welded Butterfly Valve (DN11850-1)

Size	A	B	KxK	C	L	T
DN10	87.0	12.0	10x10	50.0	136.0	1.5
DN15	87.0	18.0	10x10	50.0	136.0	1.5
DN20	87.0	22.0	10x10	50.0	136.0	1.5
DN25	87.0	28.0	10x10	50.0	136.0	1.5
DN32	92.0	34.0	10x10	50.0	136.0	1.5
DN40	97.0	40.0	10x10	50.0	136.0	1.5
DN50	110.0	52.0	10x10	52.0	136.0	1.5
DN65	127.0	70.0	10x10	56.0	136.0	2.0
DN80	142.0	85.0	10x10	58.0	163.0	2.0
DN100	162.0	104.0	10x10	64.0	163.0	2.0
DN125	190.0	129.0	14x14	75.0	185.0	2.0
DN150	225.0	154.0	14x14	80.0	185.0	2.0

No.SD11006

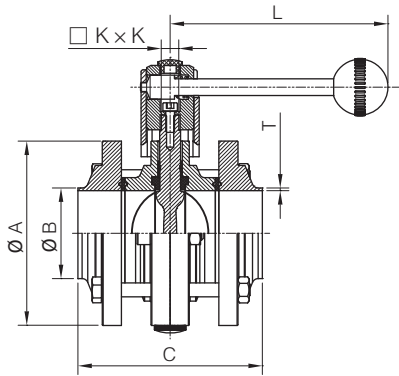


焊接式蝶阀
Welded Butterfly Valve (DN11850-2)

Size	A	B	KxK	C	L	T
DN10	87.0	13.0	10x10	50.0	136.0	1.5
DN15	87.0	19.0	10x10	50.0	136.0	1.5
DN20	87.0	23.0	10x10	50.0	136.0	1.5
DN25	87.0	29.0	10x10	50.0	136.0	1.5
DN32	92.0	35.0	10x10	50.0	136.0	1.5
DN40	97.0	41.0	10x10	50.0	136.0	1.5
DN50	110.0	53.0	10x10	52.0	136.0	1.5
DN65	127.0	70.0	10x10	56.0	136.0	2.0
DN80	142.0	85.0	10x10	58.0	163.0	2.0
DN100	162.0	104.0	10x10	64.0	163.0	2.0
DN125	190.0	129.0	14x14	75.0	185.0	2.0
DN150	225.0	154.0	14x14	80.0	185.0	2.0

DIN 卫生级蝶阀系列 Sanitary Butterfly Valves

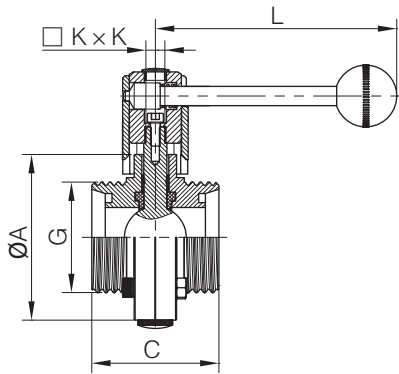
No.SD11007



三片式蝶阀
Three-piece Butterfly Valve

Size	A	B	KxK	C	L	T
DN10	78.0	12.0	10x10	100.0	136.0	1.5
DN15	78.0	18.0	10x10	100.0	136.0	1.5
DN20	78.0	22.0	10x10	100.0	136.0	1.5
DN25	78.0	28.0	10x10	100.0	136.0	1.5
DN32	86.0	34.0	10x10	100.0	136.0	1.5
DN40	90.0	40.0	10x10	100.0	136.0	1.5
DN50	106.0	52.0	10x10	102.0	136.0	1.5
DN65	124.0	70.0	10x10	106.0	136.0	2.0
DN80	139.0	85.0	10x10	108.0	163.0	2.0
DN100	159.0	104.0	10x10	114.0	163.0	2.0
DN125	185.0	129.0	14x14	125.0	185.0	2.0
DN150	225.0	154.0	14x14	130.0	185.0	2.0

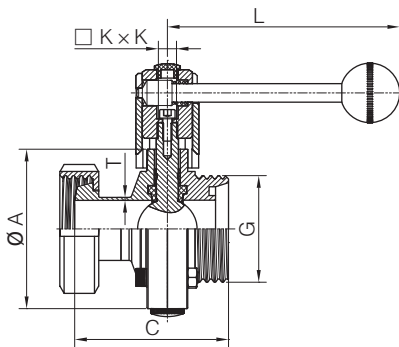
No.SD13008



螺纹式蝶阀
Threaded Butterfly Valve

Size	A	G	KxK	C	L
DN10	78.0	RD28x1/8	10x10	66.0	136.0
DN15	78.0	RD34x1/8	10x10	66.0	136.0
DN20	78.0	RD44x1/6	10x10	66.0	136.0
DN25	78.0	RD52x1/6	10x10	66.0	136.0
DN32	86.0	RD58x1/6	10x10	66.0	136.0
DN40	90.0	RD65x1/6	10x10	70.0	136.0
DN50	106.0	RD78x1/6	10x10	76.0	136.0
DN65	124.0	RD95x1/6	10x10	80.0	136.0
DN80	139.0	RD110x1/4	10x10	84.0	163.0
DN100	159.0	RD130x1/4	10x10	104.0	163.0
DN125	185.0	RD160x1/4	14x14	130.0	185.0
DN150	225.0	RD190x1/4	14x14	150.0	185.0

No.SD13009

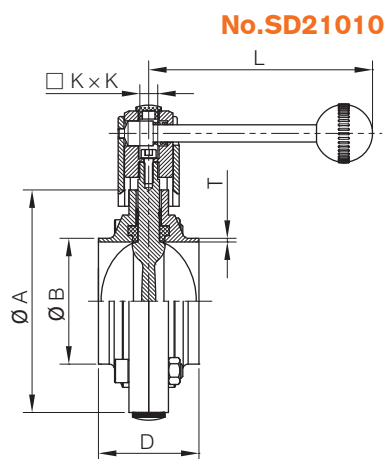


单螺纹单螺母蝶阀
Threaded /Nut Butterfly Valve

Size	A	G	KxK	C	L	T
DN10	78.0	RD28x1/8	10x10	74.0	136.0	1.5
DN15	78.0	RD34x1/8	10x10	75.0	136.0	1.5
DN20	78.0	RD44x1/6	10x10	76.0	136.0	1.5
DN25	78.0	RD52x1/6	10x10	80.0	136.0	1.5
DN32	86.0	RD58x1/6	10x10	83.0	136.0	1.5
DN40	90.0	RD65x1/6	10x10	86.0	136.0	1.5
DN50	106.0	RD78x1/6	10x10	92.0	136.0	1.5
DN65	124.0	RD95x1/6	10x10	100.0	136.0	2.0
DN80	139.0	RD110x1/4	10x10	108.0	163.0	2.0
DN100	159.0	RD130x1/4	10x10	128.0	163.0	2.0
DN125	185.0	RD160x1/4	14x14	136.5	185.0	2.0
DN150	225.0	RD190x1/4	14x14	152.0	185.0	2.0

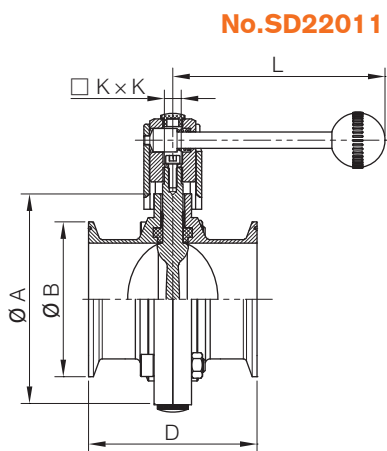
3A

卫生级蝶阀系列 Sanitary Butterfly Valves



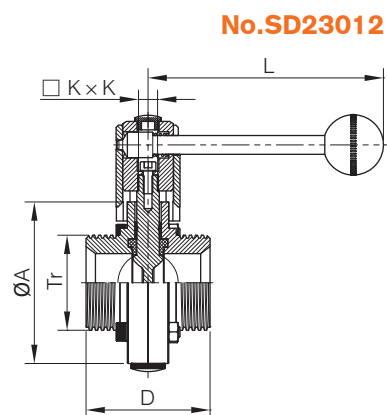
焊接式蝶阀
Welded Butterfly Valve

Size	A	B	KxK	D	L	T
3/4"	78.0	19.05	10X10	50.0	136.0	1.65
1"	78.0	25.4	10X10	50.0	136.0	1.65
1 1/4"	78.0	31.8	10X10	50.0	136.0	1.65
1 1/2"	86.0	38.1	10X10	50.0	136.0	1.65
2"	100.0	50.8	10X10	52.0	136.0	1.65
2 1/2"	115.0	63.5	10X10	56.0	136.0	1.65
3"	128.0	76.2	10X10	58.0	163.0	1.65
4"	154.0	101.6	10X10	64.0	163.0	2.1
6"	225.0	152.4	14X14	80.0	185.0	2.8



卡箍式蝶阀
Clamped Butterfly Valve

Size	A	B	KxK	D	L
3/4"	78.0	25.2	10X10	66.0	136.0
1"	78.0	50.5	10X10	66.0	136.0
1 1/4"	78.0	50.5	10X10	66.0	136.0
1 1/2"	86.0	50.5	10X10	70.0	136.0
2"	100.0	64.0	10X10	76.0	136.0
2 1/2"	115.0	77.5	10X10	80.0	136.0
3"	128.0	91.0	10X10	84.0	163.0
4"	154.0	119.0	10X10	104.0	163.0
6"	225.0	166.8	14X14	130.0	185.0



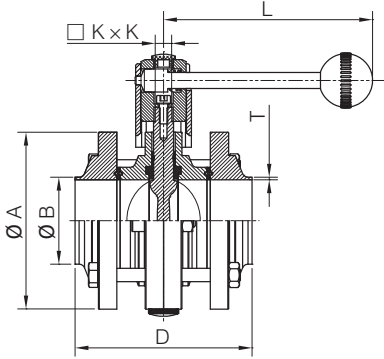
螺纹式蝶阀
Threaded Butterfly Valve

Size	A	Tr	KxK	D	L
1"	78.0	37.13X1/8 TACME	10X10	66.0	136.0
1 1/2"	86.0	50.65X1/8 TACME	10X10	70.0	136.0
2"	100.0	64.17X1/8 TACME	10X10	76.0	136.0
2 1/2"	115.0	77.67X1/8 TACME	10X10	80.0	136.0
3"	128.0	91.19X1/8 TACME	10X10	84.0	163.0
4"	154.0	119.25X1/6 TACME	10X10	104.0	163.0

3A

卫生级蝶阀系列 Sanitary Butterfly Valves

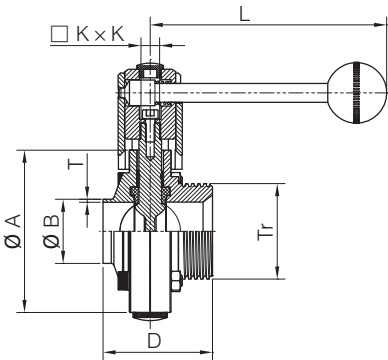
No.SD21013



三片焊式蝶阀
Three-piece Welded Butterfly Valve

Size	A	B	KxK	D	L	T
3/4"	78.0	19.05	10X10	100.0	136.0	1.65
1"	78.0	25.4	10X10	100.0	136.0	1.65
1 1/4"	78.0	31.8	10X10	100.0	136.0	1.65
1 1/2"	86.0	38.1	10X10	100.0	136.0	1.65
2"	100.0	50.8	10X10	102.0	136.0	1.65
2 1/2"	115.0	63.5	10X10	106.0	136.0	1.65
3"	128.0	76.2	10X10	108.0	163.0	1.65
4"	154.0	101.6	10X10	114.0	163.0	2.1
6"	225.0	152.4	14X14	130.0	185.0	2.8

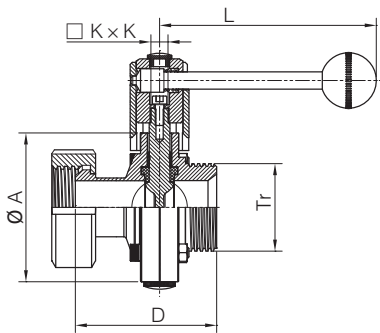
No.SD23014



单焊单螺蝶阀
Welded/Threaded Butterfly Valve

Size	A	B	Tr	KxK	D	L	T
1"	78.0	25.4	37.13X1/8 TACME	10X10	58.0	136.0	1.65
1 1/2"	86.0	38.1	50.65X1/8 TACME	10X10	60.0	136.0	1.65
2"	100.0	50.8	64.17X1/8 TACME	10X10	64.0	136.0	1.65
2 1/2"	115.0	63.5	77.67X1/8 TACME	10X10	68.0	136.0	1.65
3"	128.0	76.2	91.19X1/8 TACME	10X10	71.0	163.0	1.65
4"	154.0	101.6	119.25X1/6 TACME	10X10	84.0	163.0	2.1

No.SD23015



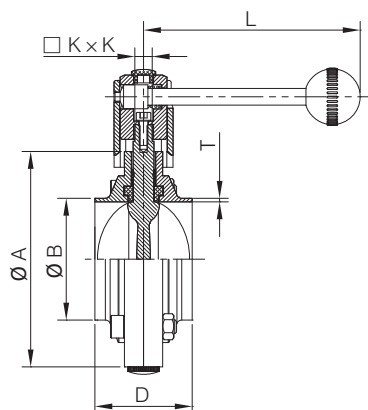
单螺纹单螺母蝶阀
Threaded /Nut Butterfly Valve

Size	A	Tr	KxK	D	L
1"	78.0	37.13X1/8 TACME	10X10	92.9	136.0
1 1/2"	86.0	50.65X1/8 TACME	10X10	98.1	136.0
2"	100.0	64.17X1/8 TACME	10X10	102.1	136.0
2 1/2"	115.0	77.67X1/8 TACME	10X10	112.5	136.0
3"	128.0	91.19X1/8 TACME	10X10	115.5	163.0
4"	154.0	119.25X1/6 TACME	10X10	128.5	163.0

SMS

卫生级蝶阀系列 Sanitary Butterfly Valves

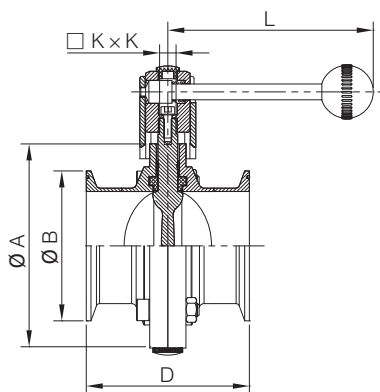
No.SD31016



焊接式蝶阀
Welded Butterfly Valve

Size	A	B	KxK	D	L	T
19	78.0	19.05	10X10	50.0	136.0	1.5
25	78.0	25.4	10X10	50.0	136.0	1.5
32	78.0	31.8	10X10	50.0	136.0	1.5
38	86.0	38.1	10X10	50.0	136.0	1.5
51	100.0	50.8	10X10	52.0	136.0	1.5
63	115.0	63.5	10X10	56.0	136.0	2.0
76	128.0	76.2	10X10	58.0	163.0	2.0
89	139.0	89.0	10X10	60.0	163.0	2.0
102	154.0	101.6	10X10	64.0	163.0	2.0
152	225.0	152.4	14X14	80.0	185.0	2.8

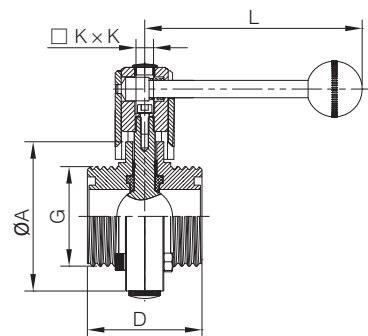
No.SD32017



卡箍式蝶阀
Clamped Butterfly Valve

Size	A	B	KxK	D	L
19	78.0	25.2	10X10	66.0	136.0
25	78.0	50.5	10X10	66.0	136.0
32	78.0	50.5	10X10	66.0	136.0
38	86.0	50.5	10X10	70.0	136.0
51	100.0	64.0	10X10	76.0	136.0
63	115.0	77.5	10X10	80.0	136.0
76	128.0	91.0	10X10	84.0	163.0
89	139.0	106.0	10X10	90.0	163.0
102	154.0	119.0	10X10	104.0	163.0
152	225.0	166.8	14X14	130.0	185.0

No.SD33018



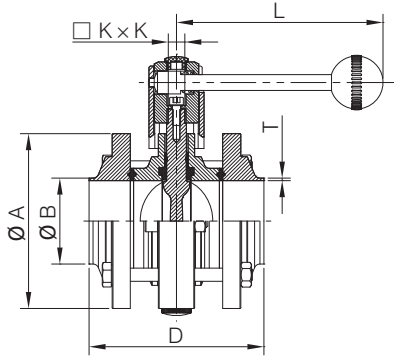
螺纹式蝶阀
Threaded Butterfly Valve

Size	A	G	KxK	D	L
19	78.0	RD36X1/8	10X10	66.0	136.0
25	78.0	RD40X1/6	10X10	66.0	136.0
32	78.0	RD48X1/6	10X10	66.0	136.0
38	86.0	RD60X1/6	10X10	70.0	136.0
51	100.0	RD70X1/6	10X10	76.0	136.0
63	115.0	RD85X1/6	10X10	80.0	136.0
76	128.0	RD98X1/6	10X10	84.0	163.0
89	139.0	RD110X1/6	10X10	90.0	163.0
102	154.0	RD125X1/4	10X10	104.0	163.0
152	225.0	RD185X1/4	14X14	120.0	185.0

SMS

卫生级蝶阀系列
Sanitary Butterfly Valves

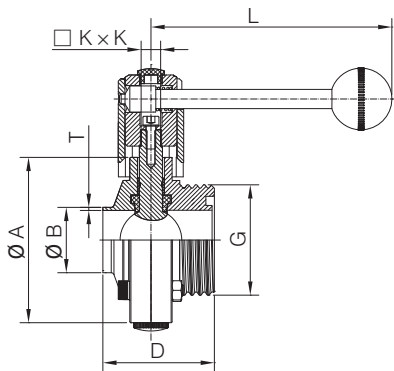
No.SD31019



三片式蝶阀
Three-piece Butterfly Valve

Size	A	B	KxK	D	L	T
19	78.0	19.05	10X10	100.0	136.0	1.5
25	78.0	25.4	10X10	100.0	136.0	1.5
32	78.0	31.8	10X10	100.0	136.0	1.5
38	86.0	38.1	10X10	100.0	136.0	1.5
51	100.0	50.8	10X10	102.0	136.0	1.5
63	115.0	63.5	10X10	106.0	136.0	2.0
76	128.0	76.2	10X10	108.0	163.0	2.0
89	139.0	89.0	10X10	110.0	163.0	2.0
102	154.0	101.6	10X10	114.0	163.0	2.0
152	225.0	152.4	14X14	130.0	185.0	2.8

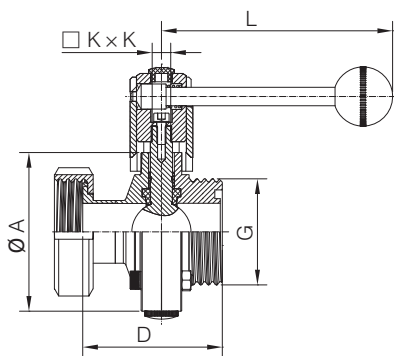
No.SD33020



单焊单螺蝶阀
Welded/Threaded Butterfly Valve

Size	A	B	G	KxK	D	L	T
19	78.0	19.05	RD36X1/8	10X10	58.0	136.0	1.5
25	78.0	25.4	RD40X1/6	10X10	58.0	136.0	1.5
32	78.0	31.8	RD48X1/6	10X10	58.0	136.0	1.5
38	86.0	38.1	RD60X1/6	10X10	60.0	136.0	1.5
51	100.0	50.8	RD70X1/6	10X10	64.0	136.0	1.5
63	115.0	63.5	RD85X1/6	10X10	68.0	136.0	2.0
76	128.0	76.2	RD98X1/6	10X10	71.0	163.0	2.0
89	139.0	89.0	RD110X1/6	10X10	75.0	163.0	2.0
102	154.0	101.6	RD125X1/4	10X10	84.0	163.0	2.0
152	225.0	152.4	RD185X1/4	14X14	100.0	185.0	2.8

No.ST33021



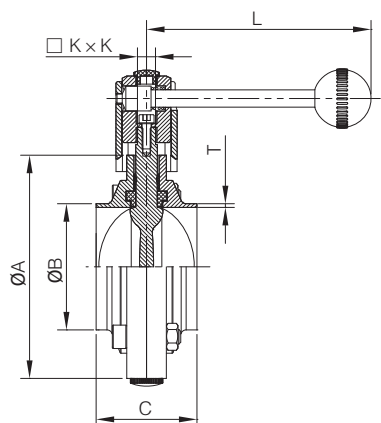
单螺纹单螺母蝶阀
Threaded /Nut Butterfly Valve

Size	A	G	KxK	D	L
19	78.0	RD36X1/8	10X10	73.5	136.0
25	78.0	RD40X1/6	10X10	73.5	136.0
32	78.0	RD48X1/6	10X10	74.0	136.0
38	86.0	RD60X1/6	10X10	76.0	136.0
51	100.0	RD70X1/6	10X10	81.0	136.0
63	115.0	RD85X1/6	10X10	87.0	136.0
76	128.0	RD98X1/6	10X10	90.0	163.0
89	139.0	RD110X1/6	10X10	94.0	163.0
102	154.0	RD125X1/4	10X10	103.0	163.0

ISO/IDF

卫生级蝶阀系列 Sanitary Butterfly Valves

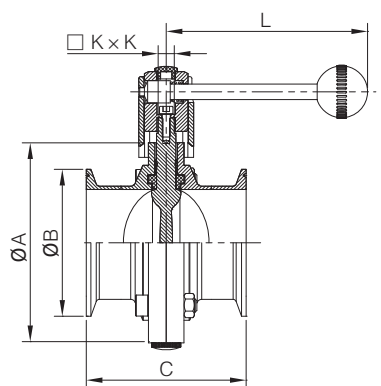
No.SD41022



焊接式蝶阀
Welded Butterfly Valve

Size	A	B	KxK	C	L	T
Ø19	78.0	19.1	10X10	50.0	136.0	1.5
Ø25	78.0	25.4	10X10	50.0	136.0	1.5
Ø32	78.0	31.8	10X10	50.0	136.0	1.5
Ø38	86.0	38.1	10X10	50.0	136.0	1.5
Ø45	90.0	45.0	10X10	50.0	136.0	2.0
Ø51	100.0	50.8	10X10	52.0	136.0	1.5
Ø57	106.0	57.0	10X10	52.0	136.0	2.0
Ø63	115.0	63.5	10X10	56.0	136.0	2.0
Ø76	128.0	76.2	10X10	58.0	163.0	2.0
Ø89	139.0	89.0	10X10	60.0	163.0	2.0
Ø102	154.0	101.6	10X10	64.0	163.0	2.0

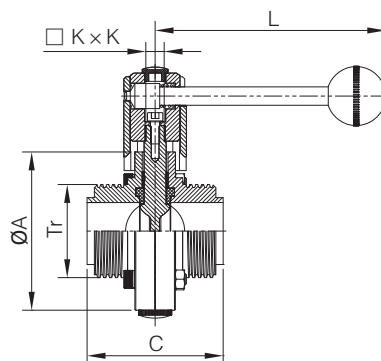
No.SD42023



卡箍式蝶阀
Clamped Butterfly Valve

Size	A	B	KxK	C	L
Ø19	78.0	25.2	10X10	66.0	136.0
Ø25	78.0	50.5	10X10	66.0	136.0
Ø32	78.0	50.5	10X10	66.0	136.0
Ø38	86.0	50.5	10X10	70.0	136.0
Ø45	90.0	64.0	10X10	74.0	136.0
Ø51	100.0	64.0	10X10	76.0	136.0
Ø57	106.0	77.5	10X10	78.0	136.0
Ø63	115.0	77.5	10X10	80.0	136.0
Ø76	128.0	91.0	10X10	84.0	163.0
Ø89	139.0	106.0	10X10	90.0	163.0
Ø102	154.0	119.0	10X10	104.0	163.0

No.SD43024



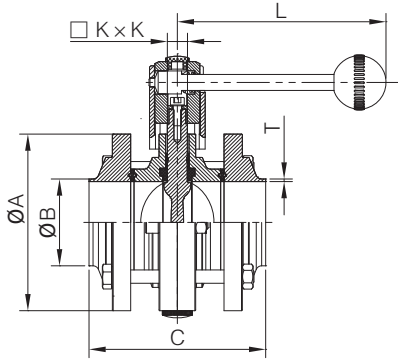
螺纹式蝶阀
Threaded Butterfly Valve

Size	A	Tr	KxK	C	L
Ø25	78.0	37.1x1/8 TACME	10x10	66.0	136.0
Ø38	86.0	50.6x1/8 TACME	10x10	70.0	136.0
Ø51	100.0	64.1x1/8 TACME	10x10	76.0	136.0
Ø63	115.0	77.6x1/8 TACME	10x10	80.0	136.0
Ø76	128.0	91.1x1/8 TACME	10x10	84.0	163.0
Ø102	154.0	118.2x1/8 TACME	10x10	104.0	163.0

ISO/IDF

卫生级蝶阀系列 Sanitary Butterfly Valves

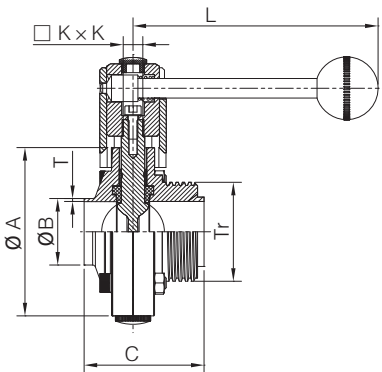
No.SD41025



三片式蝶阀
Three-piece Butterfly Valve

Size	A	B	KxK	C	L	T
Ø19	78.0	19.1	10x10	100.0	136.0	1.5
Ø25	78.0	25.4	10x10	100.0	136.0	1.5
Ø32	78.0	31.8	10x10	100.0	136.0	1.5
Ø38	86.0	38.1	10x10	100.0	136.0	1.5
Ø45	90.0	45.0	10x10	100.0	136.0	2.0
Ø51	100.0	50.8	10x10	102.0	136.0	1.5
Ø57	106.0	57.0	10x10	102.0	136.0	2.0
Ø63	115.0	63.5	10x10	106.0	136.0	2.0
Ø76	128.0	76.2	10x10	108.0	163.0	2.0
Ø89	139.0	89.0	10x10	110.0	163.0	2.0
Ø102	154.0	101.6	10x10	114.0	163.0	2.0

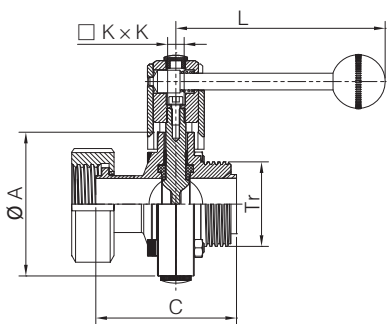
No.SD43026



单焊单螺蝶阀
Welded / Threaded Butterfly Valve

Size	A	B	Tr	KxK	C	L	T
Ø25	78.0	25.4	37.1x1/8 TACME	10x10	58.0	136.0	1.5
Ø38	86.0	38.1	50.6x1/8 TACME	10x10	60.0	136.0	1.5
Ø51	100.0	50.8	64.1x1/8 TACME	10x10	64.0	136.0	1.5
Ø63	115.0	63.5	77.6x1/8 TACME	10x10	68.0	136.0	2.0
Ø76	128.0	76.2	91.1x1/8 TACME	10x10	71.0	163.0	2.0
Ø102	154.0	101.6	118.2x1/8 TACME	10x10	84.0	163.0	2.0

No.SD43027

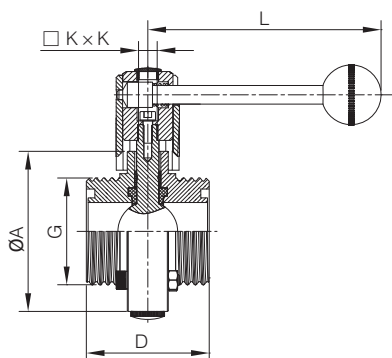


单螺纹单螺母蝶阀
Threaded /Nut Butterfly Valve

Size	A	Tr	KxK	C	L
Ø25	78.0	37.1x1/8 TACME	10x10	79.5	136.0
Ø38	86.0	50.6x1/8 TACME	10x10	81.5	136.0
Ø51	100.0	64.1x1/8 TACME	10x10	85.5	136.0
Ø63	115.0	77.6x1/8 TACME	10x10	89.5	136.0
Ø76	128.0	91.1x1/8 TACME	10x10	92.5	163.0
Ø102	154.0	118.2x1/8 TACME	10x10	105.5	163.0

DS 卫生级蝶阀系列 Sanitary Butterfly Valves

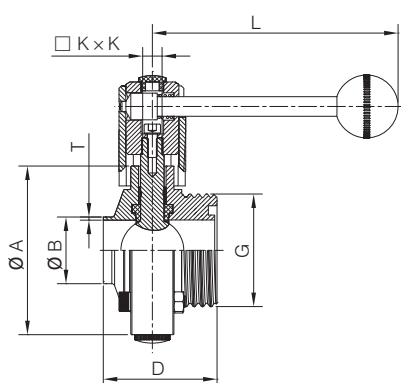
No.SD53028



螺纹式蝶阀
Threaded Butterfly Valve

Size	A	G	KxK	D	L
1"	78.0	RD44x1/6	10x10	66.0	136.0
1 1/2"	86.0	RD58x1/6	10x10	70.0	136.0
2"	100.0	RD72x1/6	10x10	76.0	136.0
2 1/2"	115.0	RD88x1/6	10x10	80.0	136.0
3"	128.0	RD100x1/6	10x10	84.0	163.0
4"	154.0	RD130x1/6	10x10	104.0	163.0

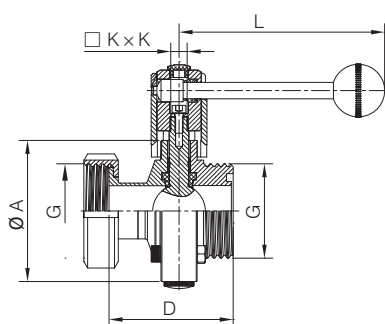
No.SD53029



单焊单螺蝶阀
Welded/Threaded Butterfly Valve

Size	A	B	G	KxK	D	L	T
1"	78.0	25.4	RD44x1/6	10x10	58.0	136.0	1.45
1 1/2"	86.0	38.4	RD58x1/6	10x10	60.0	136.0	1.45
2"	100.0	51.4	RD72x1/6	10x10	64.0	136.0	1.45
2 1/2"	115.0	63.9	RD88x1/6	10x10	68.0	136.0	1.7
3"	128.0	76.4	RD100x1/6	10x10	71.0	163.0	2.2
4"	154.0	102.0	RD130x1/6	10x10	84.0	163.0	2.2

No.SD53030



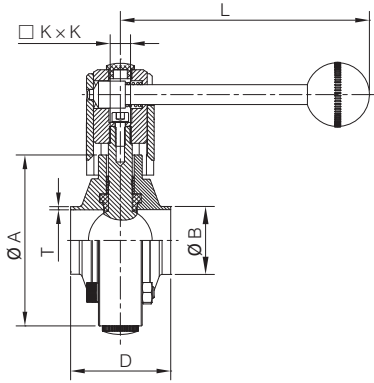
单螺纹单螺母蝶阀
Threaded /Nut Butterfly Valve

Size	A	G	KxK	D	L
1"	78.0	RD44x1/6	10x10	74.0	136.0
1 1/2"	86.0	RD58x1/6	10x10	78.0	136.0
2"	100.0	RD72x1/6	10x10	84.0	136.0
2 1/2"	115.0	RD88x1/6	10x10	90.0	136.0
3"	128.0	RD100x1/6	10x10	95.0	163.0
4"	154.0	RD130x1/6	10x10	114.0	163.0

RJT

卫生级蝶阀系列
Sanitary Butterfly Valves

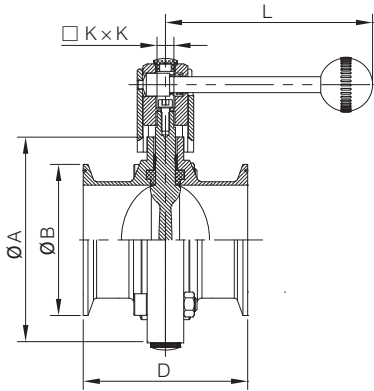
No.SD61031



焊接式蝶阀
Welded Butterfly Valve

Size	A	B	KxK	D	L	T
1"	78.0	25.65	10x10	50.0	136.0	1.725
1 1/2"	90.0	38.35	10x10	50.0	136.0	1.725
2"	106.0	51.05	10x10	52.0	136.0	1.725
2 1/2"	124.0	63.75	10x10	56.0	136.0	1.725
3"	139.0	76.45	10x10	58.0	163.0	1.725
4"	159.0	101.85	10x10	64.0	163.0	2.125
6"	225.0	152.4	14x14	80.0	185.0	2.200

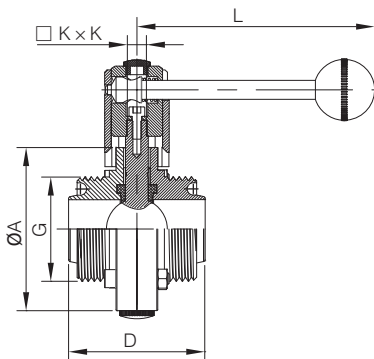
No.SD62032



卡箍式蝶阀
Clamped Butterfly Valve

Size	A	B	KxK	D	L
1"	78.0	50.5	10x10	66.0	136.0
1 1/2"	90.0	50.5	10x10	70.0	136.0
2"	106.0	64.0	10x10	76.0	136.0
2 1/2"	124.0	77.5	10x10	84.0	136.0
3"	139.0	91.0	10x10	90.0	163.0
4"	159.0	119.0	10x10	104.0	163.0
6"	225.0	166.8	14x14	130.0	185.0

No.SD63033

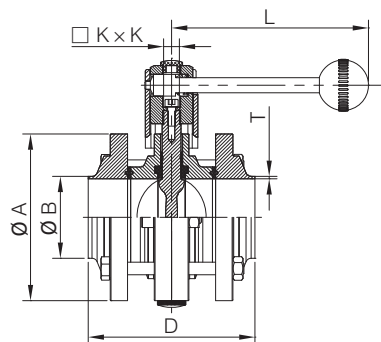


螺纹式蝶阀
Threaded Butterfly Valve

Size	A	G	KxK	D	L
1"	78.0	45.7x1/8TWHIT	10x10	66.0	136.0
1 1/2"	90.0	58.4x1/8TWHIT	10x10	70.0	136.0
2"	106.0	72.7x1/6TWHIT	10x10	76.0	136.0
2 1/2"	124.0	85.4x1/6TWHIT	10x10	80.0	136.0
3"	139.0	98.1x1/6TWHIT	10x10	84.0	163.0
4"	159.0	123.5x1/6TWHIT	10x10	104.0	163.0
6"	225.0	174.3x1/6TWHIT	14x14	150.0	185.0

RJT 卫生级蝶阀系列 Sanitary Butterfly Valves

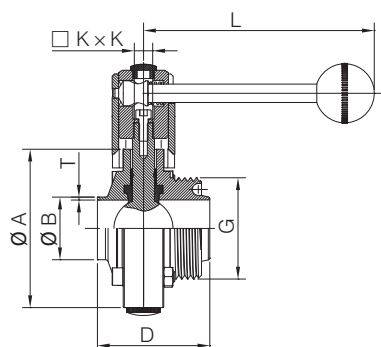
No.SD61034



三片式蝶阀
Three-piece Butterfly Valve

Size	A	B	KxK	D	L	T
1"	78.0	25.65	10x10	100.0	136.0	1.725
1 1/2"	90.0	38.35	10x10	100.0	136.0	1.725
2"	106.0	51.05	10x10	102.0	136.0	1.725
2 1/2"	124.0	63.75	10x10	106.0	136.0	1.725
3"	139.0	76.45	10x10	108.0	163.0	1.725
4"	159.0	101.85	10x10	114.0	163.0	2.125
6"	225.0	152.4	14x14	130.0	185.0	2.200

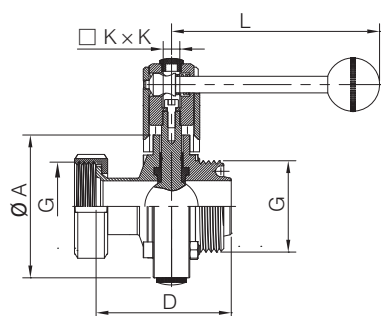
No.SD63035



单焊单螺蝶阀
Welded/Threaded Butterfly Valve

Size	A	B	G	KxK	D	L	T
1"	78.0	25.65	45.7x1/8TWHIT	10x10	58.0	136.0	1.725
1 1/2"	90.0	38.35	58.4x1/8TWHIT	10x10	60.0	136.0	1.725
2"	106.0	51.05	72.7x1/6TWHIT	10x10	64.0	136.0	1.725
2 1/2"	124.0	63.75	85.4x1/6TWHIT	10x10	68.0	136.0	1.725
3"	139.0	76.45	98.1x1/6TWHIT	10x10	71.0	163.0	1.725
4"	159.0	101.85	123.5x1/6TWHIT	10x10	84.0	163.0	2.125

No.SD63036



单螺纹单螺母蝶阀
Threaded /Nut Butterfly Valve

Size	A	G	KxK	D	L
1"	78.0	45.7x1/8TWHIT	10x10	77.0	136.0
1 1/2"	90.0	58.4x1/8TWHIT	10x10	79.0	136.0
2"	106.0	72.7x1/6TWHIT	10x10	83.0	136.0
2 1/2"	124.0	85.4x1/6TWHIT	10x10	87.0	136.0
3"	139.0	98.1x1/6TWHIT	10x10	90.0	163.0
4"	159.0	123.5x1/6TWHIT	10x10	103.0	163.0