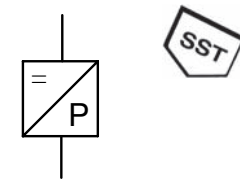


# Miniature Pressure Transducer for Corrosive Media, Ø 22 mm

DP9

<b>Description</b>	The operating pressure is converted into a proportional, electrical signal by a silicon pressure transducer. After amplification the signal is monitored as an analogue voltage or current signal.
<b>Media</b>	all media compatible with stainless steel 316L, material no. 1.4404
<b>Supply voltage</b>	12...30 V DC, residual ripple 5%, reverse voltage protection, max. current consumption 1 mA
<b>Electrical connection</b>	plug M12x1, 4-pins, with coupling socket
<b>Outlet signal</b>	4...20 mA: max. power consumption 260 mW 0...10 V: max. power consumption 50 mW
<b>Linearity/Hysteresis</b>	< 0.2 % FS typ. < 0.5 % FS
<b>Repeatability</b>	< 0.1 % FS typ. < 0.2 % FS
<b>Long-term stability</b>	< 0.1 % FS typ. < 0.2 % FS
<b>Temperature sensitivity</b>	< 0.03% FS typical per °C / K at 0 °C to 70 °C / 32 °F to 158 °F < 0.05% FS typical per °C / K at 0 °C to 70 °C / 32 °F to 158 °F
<b>Response time</b>	1 ms at 10...90% of measuring range
<b>Vibration sensitivity</b>	10 g at 5...500 Hz
<b>Mounting position</b>	any
<b>Material</b>	Body/Diaphragm: stainless steel 316L, material no. 1.4404
	<b>Shock resistance</b> 50 g
	<b>Protection class</b> IP 64 according to DIN 40050
	<b>Temperature range</b> -40 °C to 100 °C / -40 °F to 212 °F



**0...35 bar, accurate to 0.5%  
corrosive media**

Dimensions		Operating pressure max. bar	Measurement range mbar/bar	Order number for output signal	
B	Ø			4...20 mA	0...10 V
mm	mm				

For corrosive media		G½m, SST, gauge pressure, with angular coupling socket	DP9A	DP9V
65	22	1	DP9A-C3	DP9V-C3
		2	DP9A-01	DP9V-01
		4	DP9A-02	DP9V-02
		10	DP9A-05	DP9V-05
		20	DP9A-10	DP9V-10
		32	DP9A-16	DP9V-16
		40	DP9A-20	DP9V-20
		70	DP9A-35	DP9V-35



DP9

## Special options, add the appropriate letter

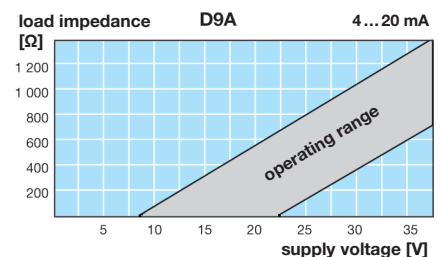
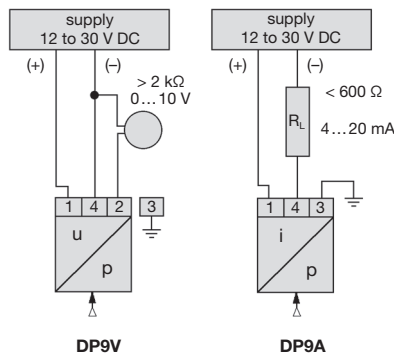
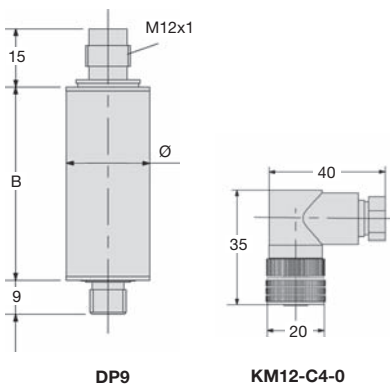
<b>deviant pressure range</b>	measurement range to be indicated in clear text	DP 9 . -XX
<b>absolute pressure range</b>	lowest measurement range: 0...1 bar abs	DP 9 . -..A
<b>G½m</b>	connection thread	DP 9 . -..02
<b>G¾m</b>	connection thread	DP 9 . -..03
<b>for oxygen</b>	specially cleaned	DP 9 . -..15



KM12-C4-0

## Accessories, enclosed

<b>coupling socket, 4-pin</b>	M12x1, straight	<b>KM12-A4-0</b>	angular	<b>KM12-C4-0</b>
<b>socket with cable</b>	2 m, straight	<b>KM12-A4-2</b>	angular	<b>KM12-C4-2</b>
	5 m, straight	<b>KM12-A4-5</b>	angular	<b>KM12-C4-5</b>



**Order example:**  
DP9A-C3  
China website: www.duray-control.cn

Transducers