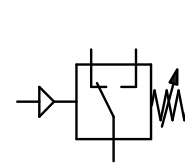
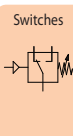


<b>Description</b>	The pressure switch closes or opens an electrical contact when the desired pressure is reached. When the pressure falls below the adjusted setpoint, the contact will be reset.	
<b>Media</b>	compressed air or non-corrosive gases	
<b>Overpressure</b>	see chart for max. static pressure,	
<b>Contact load</b>	DS44: 1 A at 230 V AC, DS45: 2 A at 230 V AC	
<b>ATEX version</b>	DS44: Ex II 3D IP 65 T90°C DS45: Ex II 2G Ex d II C T6/T5	
<b>Electrical connector</b>	3-wire connection cable, length 2 m, cross-sectional area 0.75 mm² at DS44 or 0.5 mm² at DS45	
<b>Hysteresis</b>	< 25% FS, ca. 10% FS in the lower range	
<b>Life cycle</b>	10 <sup>6</sup> switching cycles at < 50 bar	
<b>Vibration resistance</b>	10 g at 5...200 Hz	
<b>Mounting position</b>	any	
<b>Temperature range</b>	-20 °C to 80 °C / 23 °F to 176 °F for NBR/Buna-N and EPDM -5 °C to 80 °C / 23 °F to 176 °F for FKM	
<b>Material</b>	Body: zinc-plated steel at DS44, Elastomer: NBR/Buna-N,	aluminium at DS45 optionally EPDM or FKM



**0.3... 1.5/400 bar  
dust- / gas-proof**



Pressure transmission by	Overpressure protection < bar	Measurement tolerance ± bar	Measurement range bar	Order number
--------------------------	-------------------------------	-----------------------------	-----------------------	--------------

Pressure switch G1/4m		SPDT switch 230 V AC, 1 A	dust-proof	DS44
diaphragm	300	0.2	0.3 ... 1.5	DS44-A
			0.5...1.0	DS44-B
			1.0	DS44-C
			2.0	DS44-D
piston	600	5.0	50 ... 150	DS44-E



DS44, dust protection

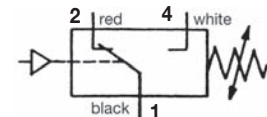
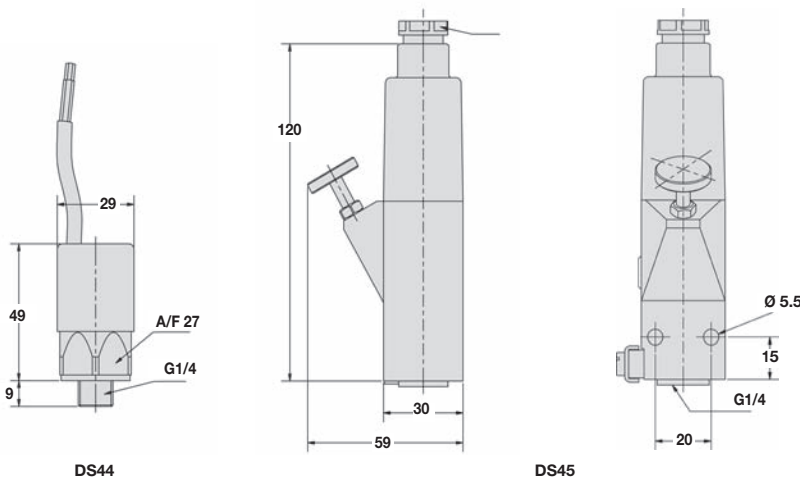
Pressure switch G1/4f		SPDT switch 230 V AC, 2 A	gas-proof	DS45
diaphragm	200	0.5	1 ... 6	DS45-B
			3.0	DS45-D
piston	600	3...5	20 ... 100	DS45-E
			5...9	DS45-K



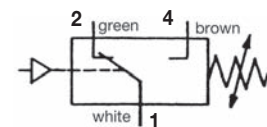
DS45, gas protection

### Special options, add the appropriate letter

<b>EPDM elastomer</b>	-20 °C to 80 °C / -4 °F to 176 °F	DS4. - E
<b>FKM elastomer</b>	- 5 °C to 80 °C / 23 °F to 176 °F	DS4. - V
<b>free of grease and oil</b>	suitable for oxygen, max. 10 bar, diaphragm version only	DS4. - L



pin configuration DS44



pin configuration DS45



**Order example:**  
DS44-A

China website: [www.duray-control.cn](http://www.duray-control.cn)