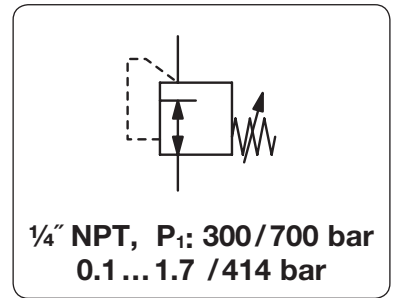


# High Pressure Regulator up to 690 bar

HIP

<b>Description</b>	Piston-operated high pressure regulator HIP300/400/500R and diaphragm-operated HIP500 are marked by high flow and great reliability.	
<b>Media</b>	compressed air, non-corrosive gases or liquids	
<b>Supply pressure</b>	max. 690 bar at HIP300, max. 414 bar at HIP400, max. 241 bar at HIP500	
<b>Accuracy</b>	at supply pressure variation of 7 bar: < 5 mbar pressure deviation at HIP300 < 250 mbar pressure deviation at HIP400 < 120 mbar pressure deviation at HIP500	
<b>Adjustment</b>	by black plastic knob	
<b>Leakage rate</b>	< 10 <sup>-4</sup> mbar l/s He 2x < 10 <sup>-6</sup> mbar l/s He at HIP500	
<b>Relieving function</b>	non-relieving, optionally relieving	
<b>Gauge port</b>	1/4" NPT for inlet / outlet pressure, shifted by 70°	
<b>Temperature range</b>	- 5 °C to 75 °C / 23 °F to 167 °F for HIP300 -40 °C to 75 °C / -40 °F to 167 °F for HIP500	
<b>Material</b>	Body: brass, optionally stainless steel Spring cage: brass at HIP300, nickel-plated at HIP400/500 Valve seat: Vespel at HIP300, Teflon at HIP400/500	Seals: NBR/Buna-N Diaphragm: stainless steel at HIP500 Inner valve: stainless steel



Dimensions			K <sub>v</sub>	Flow rate	Connection	Pressure range	Order number
A	B	C	value	m <sup>3</sup> /h*1	thread	bar	
mm	mm	mm	(m <sup>3</sup> /h)		NPT		

High pressure regulator 414 bar							non-relieving, brass	HIP300
55	175	19	0.05	90	1500	1/4" NPT	0.3 ... 35	HIP300-035
							0.6 ... 55	HIP300-055
							0.7 ... 104	HIP300-105
							1.0 ... 172	HIP300-175
							1.7 ... 276	HIP300-280
							3.4 ... 414	HIP300-415



High pressure regulator 414 bar							non-relieving, brass	HIP400
50	137	13	0.05	90	1500	1/4" NPT	0.7 ... 104	HIP400-104
							1.0 ... 172	HIP400-170

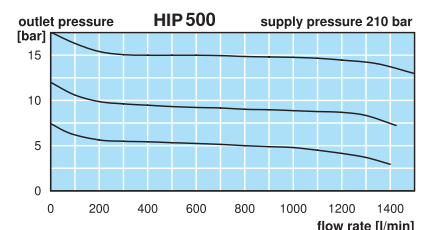
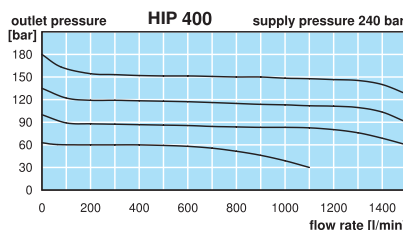
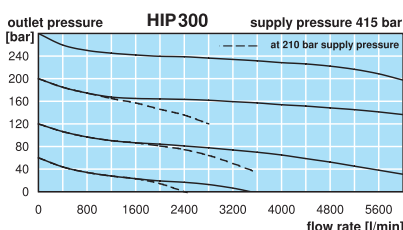
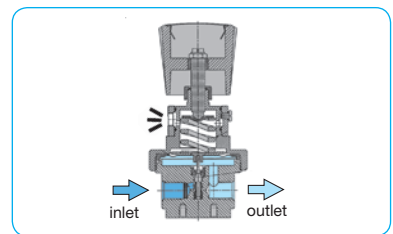
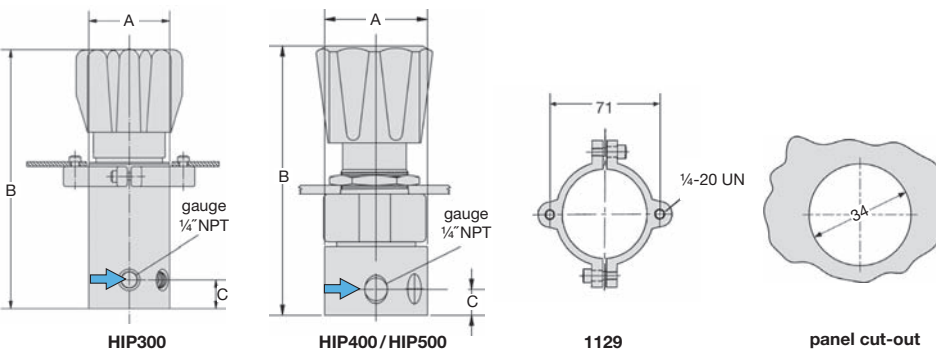


High pressure regulator 241 bar							non-relieving, brass	HIP500
50	137	19	0.05	90	1500	1/4" NPT	0.1 ... 1,7	HIP500-002
							0.1 ... 3,5	HIP500-004
							0.1 ... 7,0	HIP500-007
							0.2 ... 17	HIP500-017
							0.3 ... 35	HIP500-035



Special options, add the appropriate letter			
relieving	HIP300-...R	HIP400-...R	HIP500-...R
body made of SST	HIP300-...S (690 bar)	HIP400-...S	HIP500-...S
free of grease and oil	suitable for oxygen,	P <sub>1</sub> < 200 bar	for HIP500
for oxygen	specially cleaned,	P <sub>1</sub> < 200 bar	for HIP300/400
brass pressure gauge	for brass body, inlet side	HM	outlet side
SST pressure gauge	for stainless steel body, inlet side	H	outlet side

Accessories, enclosed			
set of mounting brackets		for HIP300	1129
mounting nut	for panel mounting, made of stainless steel	for HIP400/500	8686-1



\*1 at 240 bar supply pressure and 30 bar outlet pressure



Order example:  
HIP300-035  
China website: www.duray-control.cn