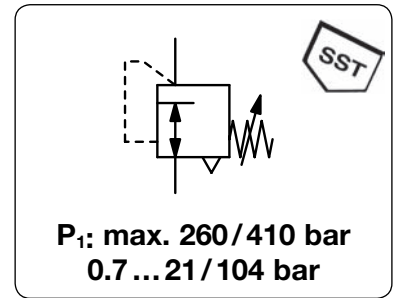


Description	High pressure regulator with high flow and high reliability. Large piston sensor for high sensitivity and balanced stem design for constant downstream pressure.	
Media	compressed air, non-corrosive gases or liquids	
Supply pressure	max. 260 bar, optionally up to 345 bar or 410 bar	
Leakage rate	< 1 x 10 ⁻⁴ mbar l/s He	
Adjustment	by black plastic knob	
Relieving function	relieving, optionally non-relieving	
Gauge port	none, optionally 1/4" NPT for inlet and outlet pressure	
Mounting position	any	
Temperature range	-25 °C to 100 °C / -13 °F to 212 °F	
Material	Body: brass, optionally stainless steel	O-rings: NBR/Buna-N and FKM
	Main valve seat: CTFE, PTFE at RPH3-04B	Relieving valve: CTFE, PTFE at RPH3-04B/-04C
	Inner valve: PTFE and brass, optionally stainless steel	



Dimensions			K _v	Flow	Connection	Pressure	Order
A	B	C	value	rate	thread	range	number
mm	mm	mm	(m ³ /h)	m ³ /h*1	NPT	bar	

High pressure regulator 260 bar, 1/2" NPT relieving, brass RPH3

76	203	45	1.7	5200	1/2" NPT	0.7 ... 21	RPH3-04B
						1.0 ... 42	RPH3-04C
						1.4 ... 70	RPH3-04D
						3.4 ... 104	RPH3-04E



RPH3

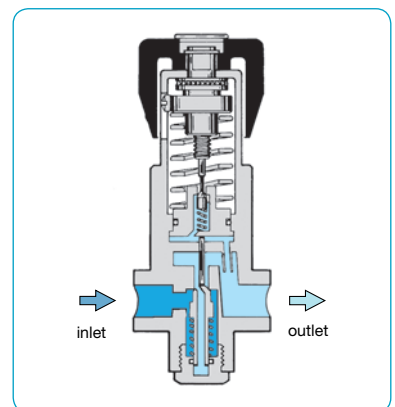
Special options, add the appropriate letter

3/4" NPT	connection thread		RPH3-0 6 .
non-relieving	without relieving function		RPH3-0 . . K
SST, 310 bar	body: stainless steel 316		RPH3-0 . . S1
SST, 410 bar	body: stainless steel 316,	pressure range 3 ... 172 bar	RPH3-0 . . S2
brass, 345 bar	body: brass,	pressure range 3 ... 172 bar	RPH3-0 . . U
gauge port	1/4" NPT for inlet and outlet		RPH3-0 . . M
brass pressure gauge	inlet side HM	outlet side	RPH3-0 . . MGM
SST pressure gauge	inlet side H	outlet side	RPH3-0 . . MG

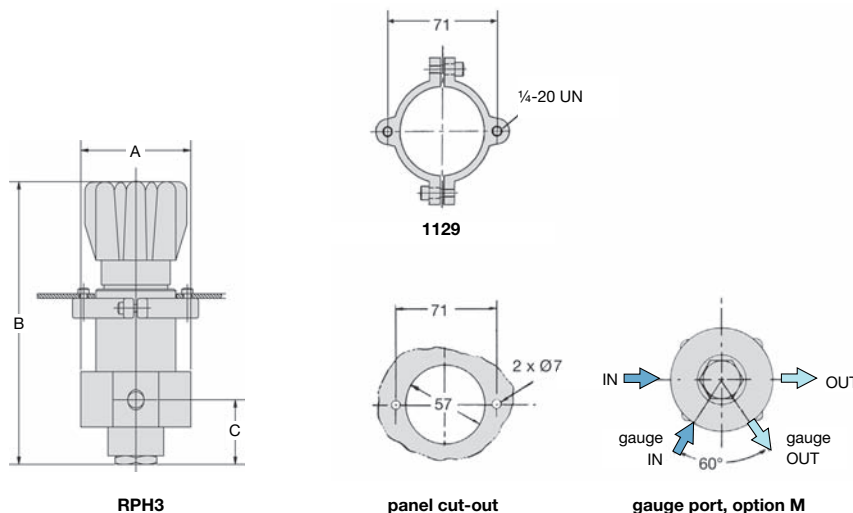
Accessories, enclosed

set of mounting brackets for panel mounting

1129



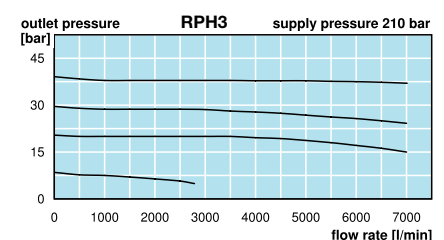
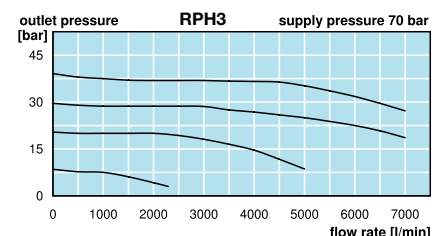
cross section



RPH3

panel cut-out

gauge port, option M



*1 at 210 bar supply pressure and 40 bar outlet pressure