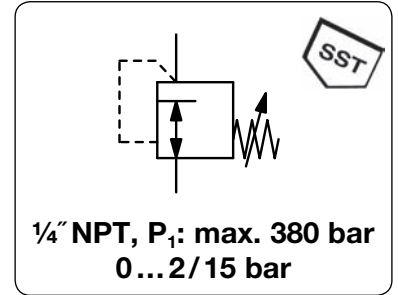


Stainless Steel High Pressure Regulator, up to 380 bar

RHC-S

Description	Diaphragm-operated high pressure regulator made of stainless steel.		
Media	compressed air or gases		
Supply pressure	max. 380 bar		
Adjustment	by T-handle with locknut		
Relieving function	non-relieving		
Gauge port	¼" NPT on both sides of the body, screw plugs supplied		
Mounting position	any		
Temperature range	0 °C to 106 °C / 32 °F to 223 °F, for appropriately conditioned compressed air down to -40 °C / -40 °F		
Material	Body: stainless steel 316, material no. 1.4401	O-rings: NBR/Buna-N	Valve seat: nylon, optionally PTFE
	Diaphragm: Monel 400		

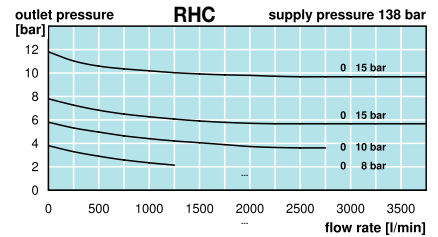
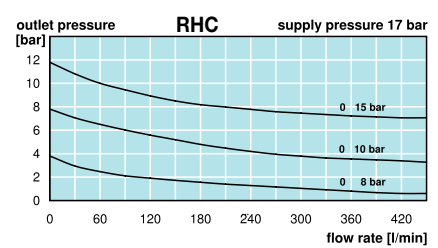
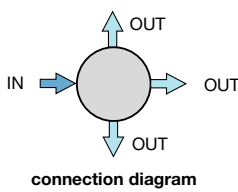
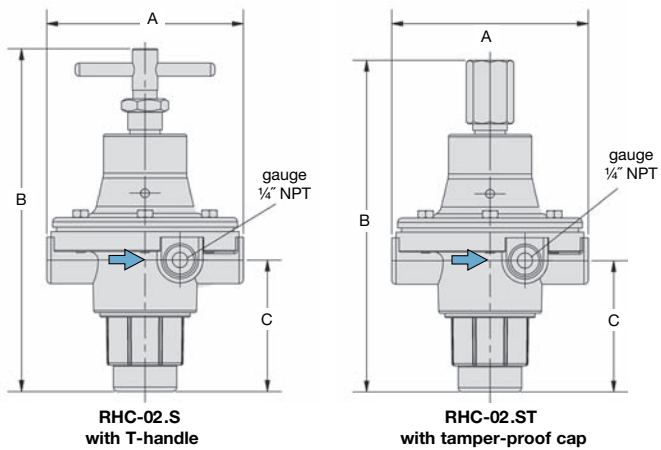
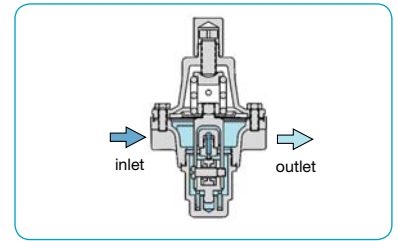


Dimensions			K _v value	Flow rate	Connection thread	Pressure range	Order number
A	B	C	(m ³ /h)	m ³ /h*1	NPT	bar	
mm	mm	mm		l/min*1			

High pressure regulator, max. 380 bar							non-relieving, without constant bleed	RHC-S
85	156	60	0.13	240	4000	¼" NPT	0 ... 2	RHC-02AS
							0 ... 4	RHC-02BS
							0 ... 8	RHC-02CS
							0 ... 10	RHC-02DS
							0 ... 15	RHC-02ES



Special options, add the appropriate letter		
tamper-proof cap	made of SST, adjustment by screwdriver, total height 150 mm	RHC-02 . ST
PTFE valve seat		RHC-02 . S1



*1 at 138 bar supply pressure and 10 bar outlet pressure



Order example:
RHC-02AS
China website: www.duray-control.cn

