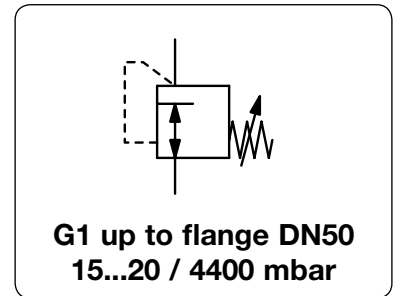


<b>Description</b>	Highly sensitive diaphragm pressure regulator, available spring-/pilot-operated or as volume booster.	
<b>Media</b>	compressed air or non-corrosive gases	
<b>Supply pressure</b>	max. 20 bar depending on the accuracy range	AR: the smaller P <sub>1</sub> the higher the accuracy
<b>Accuracy</b>	at maximum volume flow	< e.g. 10% FS pressure deviation
<b>Air consumption</b>	without constant bleed	
<b>Adjustment</b>	manual by turning the spindle under the cover of the spring cage	
<b>Relieving function</b>	relieving, optionally non-relieving	
<b>Relief capacity</b>	Can be adjusted independently of outlet pressure. On non-relieving designs: blocked exhaust valve.	
<b>Gauge port</b>	not available	<b>Mounting position</b> any
<b>Temperature range</b>	-20 °C to 60 °C / -4 °F to 140 °F	
<b>Material</b>	Body: SG cast iron GGG50, GGG40 at G2	Elastomer: NBR/Buna-N, optionally FKM
	Spring cage: aluminium	Inner valve: brass and stainless steel



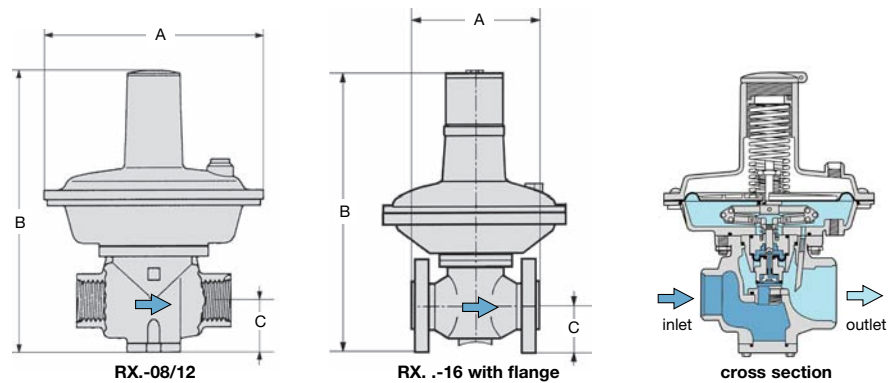
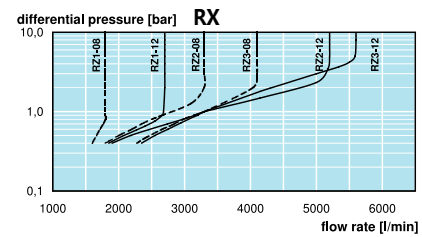
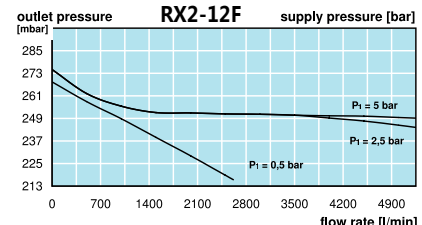
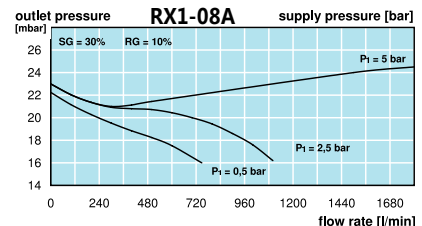
Dimensions			Accuracy	Nominal size	Flow rate	Supply max.	Connection thread	Pressure range	Order number
A	B	C	%	DN	l/min*1	bar*2	G	mbar	
mm	mm	mm							

Low pressure regulator with spring										supply max. 20 bar, non-relieving	RX
185	245	30	10	17	1800	10	G1	15 ... 20	RX1-08A		
			10					20 ... 30	RX1-08B		
			10					30 ... 40	RX1-08C		
			10					40 ... 70	RX1-08D		
			10					70 ... 110	RX1-08E		
			10		3300	16/20		110 ... 180	RX2-08F		
			5		4100	16/20		180 ... 300	RX3-08G		
			5					300 ... 700	RX3-08H		
185	245	30	10	17	2700	10	G1½*3	15 ... 20	RX1-12A		
			10					20 ... 30	RX1-12B		
			10					30 ... 40	RX1-12C		
			10					40 ... 70	RX1-12D		
			10					70 ... 110	RX1-12E		
			10		5000	16/20		110 ... 180	RX2-12F		
			5		5000	16/20		180 ... 300	RX3-12G		
			5					300 ... 700	RX3-12H		
254	460	80	5	22	15000	10	Flansch DN50	10 ... 18	RX1-16AF		
			5					15 ... 30	RX1-16BF		
			5					25 ... 49	RX1-16CF		
			5	22	25000			40 ... 75	RX1-16DF		
			5					62 ... 120	RX1-16EF		
			5					100 ... 170	RX1-16FF		
			5			16/20		145 ... 270	RX1-16GF		
			5					230 ... 350	RX1-16HF		
			5	34	28000			280 ... 720	RX2-16IF		
			5					840 ... 1250	RX2-16KF		



### Special options, add the appropriate letter

<b>further ranges</b>	RX3-08 / -12	700 ... 1100	I	1100...2000	J	2000 ... 3000	RX3-... K
<b>further ranges</b>	RX2-16	1050 ... 2300	L			2000 ... 4400	RX3-16M
<b>relieving</b>		adjustable					RX-... R
<b>FKM elastomer</b>							RX-... V
<b>flange connection</b>		see chapter for SST devices / flanges					RX-... F.
<b>nitrogen</b>	N <sub>2</sub> : 07	<b>carbon dioxide</b>	CO <sub>2</sub> : 03	<b>argon</b>	Ar:		RX-... 05
<b>helium</b>	He: 09	<b>hydrogen</b>	H <sub>2</sub> : 11	<b>methane</b>	CH <sub>4</sub> :		RX-... 13
<b>oxygen</b>	O <sub>2</sub> : 15	<b>propane</b>	C <sub>3</sub> H <sub>8</sub> : 16	<b>nitrous oxide</b>	N <sub>2</sub> O:		RX-... 17



\*1 at 4 bar supply pressure and max. outlet pressure \*2 see description above \*3 G1 thread at inlet



**Order example:**  
RX1-08A  
China website: www.duray-control.cn