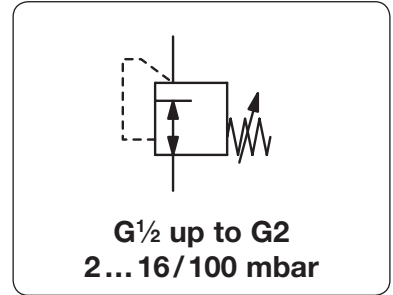


Low Pressure Regulator, Supply Pressure max. 400 mbar

RGEJ

Description	Highly sensitive low pressure regulator which can also be used as volume booster. With inlet pressure compensation for high precision regulation, high flow and safety diaphragm for added security. Zero shut-off prevents outlet pressure from increasing.	
Media	compressed air or non-corrosive gases	
Supply pressure	max. 400 mbar	
Air consumption	without constant bleed	
Adjustment	manual by turning the spindle under the cover of the spring cage	
Relieving function	non-relieving	
Accuracy	at maximum volume flow: < 20% FS pressure deviation	
Gauge port	none as standard, optionally gauge port G $\frac{1}{4}$ on one side from size G $\frac{3}{4}$ on any	
Mounting position	any	
Temperature range	-20 °C to 70 °C / -4 °F to 158 °F	
Material	Body: aluminium Elastomer: NBR/Buna-N	Inner valve: aluminium and plastic



Dimensions			Nominal size	K _v value	Flow rate		Connection thread	Pressure range	Order number
A	B	C	DN	(m ³ /h)	m ³ /h*1	l/min*1	G	mbar	

Low pressure regulator									
supply pressure max. 400 mbar, non-relieving									
RGEJ									
100	120	30	15	0.66	12	200	G $\frac{1}{2}$	2 ... 16	RGEJ-04A
								10 ... 20	RGEJ-04B
								16 ... 28	RGEJ-04C
								22 ... 40	RGEJ-04D
								40 ... 55	RGEJ-04E
134	166	34	20	1.49	27	450	G $\frac{3}{4}$	5 ... 15	RGEJ-06A
								12 ... 25	RGEJ-06B
								22 ... 35	RGEJ-06C
								25 ... 75	RGEJ-06F
								70 ... 100	RGEJ-06H
134	166	34	25	2.6	51	850	G1	5 ... 15	RGEJ-08A
								12 ... 25	RGEJ-08B
								22 ... 35	RGEJ-08C
								25 ... 75	RGEJ-08F
								70 ... 100	RGEJ-08H
185	194	45	40	4.9	90	1500	G1 $\frac{1}{2}$	5 ... 15	RGEJ-12A
								12 ... 25	RGEJ-12B
								22 ... 35	RGEJ-12C
								25 ... 75	RGEJ-12F
								70 ... 100	RGEJ-12H
234	219	52	50	6.6	120	2000	G2	5 ... 15	RGEJ-16A
								12 ... 25	RGEJ-16B
								22 ... 35	RGEJ-16C
								25 ... 75	RGEJ-16F
								70 ... 100	RGEJ-16H

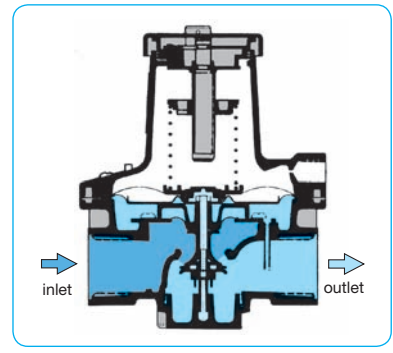
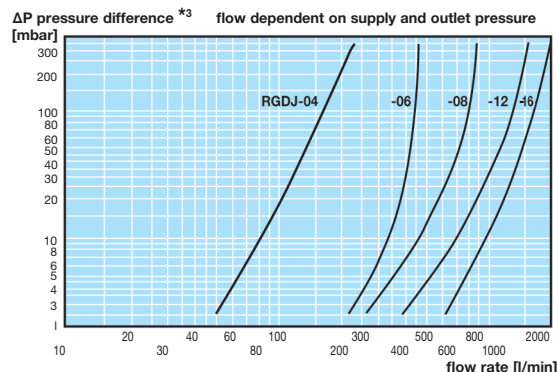
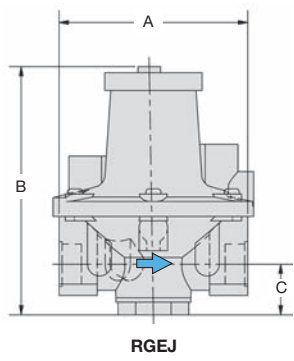


Special options, add the appropriate letter

connection thread G $\frac{1}{4}$ for pressure gauge not for G $\frac{1}{2}$ RGEJ-...M

Accessories, enclosed

pressure gauge Ø 63 mm, 0...*2 mbar, G $\frac{1}{4}$ from G $\frac{3}{4}$ MA6302-..*2



*1 at 350 mbar supply pressure and 100 mbar outlet pressure
*2 B6 = 0...60 mbar, C2 = 0...160 mbar



Order example:
RGEJ-04A
China website: www.duray-control.cn