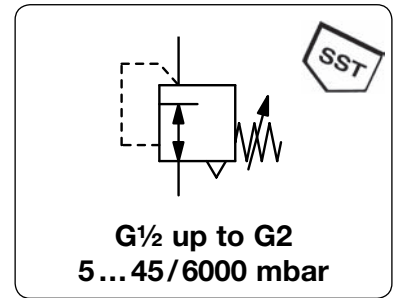


Low Pressure Regulator Made of Stainless Steel Throughout

R3110

Description	Precision low pressure regulator with large diaphragm, completely made of stainless steel.		
Media	compressed air or gases		
Supply pressure	max. 6 bar		
Air consumption	without constant bleed		
Adjustment	by adjusting screw at R3110-04, with locknut by T-handle at R3110-08 to -16, with locknut		
Relieving function	non-relieving		
Gauge port	G $\frac{1}{4}$ on both sides of the body, one screw plug supplied		
Mounting position	any		
Temperature range	0 °C to 60 °C / 32 °F to 140 °F, optionally high temperature version up to 130 °C / 266 °F		
Material	Body: stainless steel 316L, material no. 1.4404	O-rings: FKM	Inner valve: stainless steel 316L / 1.4404
	Diaphragm: NBR/Buna-N with PTFE coating		



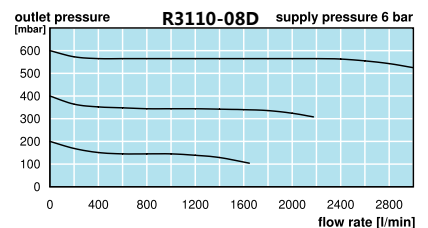
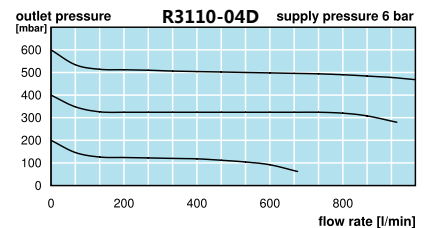
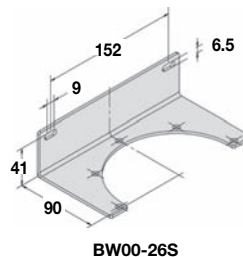
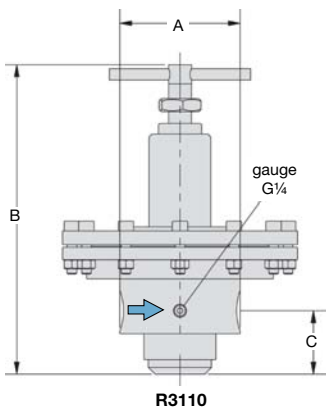
Dimensions			K _v value (m ³ /h)	Flow rate		Connection thread G	Pressure range mbar	Order number
A	B	C		m ³ /h*1	l/min*1			

Low pressure regulator							made of stainless steel, supply pressure max. 6 bar, non-relieving, PTFE diaphragm and FKM o-ring	R3110
80	170	37	0.4	36	600	G $\frac{1}{2}$ *3	5 ... 45 20 ... 200 150 ... 700	R3110-04A R3110-04C R3110-04D
125	275	66	1.8	180	3000	G1	20 ... 50 50 ... 100 100 ... 700 700 ... 6000	R3110-08A R3110-08B R3110-08D R3110-08G
200	355	90	5.7	480	8000	G1 $\frac{1}{2}$	20 ... 50 50 ... 150 150 ... 300 300 ... 3000	R3110-12A R3110-12B R3110-12D R3110-12G
200	355	90	5.7	480	8000	G2	20 ... 50 50 ... 150 150 ... 300 300 ... 3000	R3110-16A R3110-16B R3110-16D R3110-16G



Special options, add the appropriate letter			
NPT	connection thread		R 3 1 1 0 - . N
nitrogen N ₂ : 07	ammonia NH ₃ : 02	carbon dioxide CO ₂ :	R 3 1 1 0 - . 03
argon Ar: 05	helium He: 09	hydrogen H ₂ :	R 3 1 1 0 - . 11
methane CH ₄ : 13	oxygen O ₂ : 15	propane C ₃ H ₈ :	R 3 1 1 0 - . 16
		nitrous oxide N ₂ O:	R 3 1 1 0 - . 17
flange connection	see end of the chapter / flanges		R 3 1 1 0 - . F.

Accessories, enclosed			
pressure gauge	Ø 63 mm, 0...*2 mbar, G $\frac{1}{4}$, capsule type Ø 63 mm, 0...*2 bar, G $\frac{1}{4}$, Bourdon tube connection parts required	up to 600 mbar from 1 bar on	MS6302-..*2 MS6302-..*2
connection parts gauge		for G $\frac{1}{2}$	AM-03S
mounting bracket		for G $\frac{1}{2}$	BW00-26S



*1 at 6 bar supply pressure and 1 bar pressure drop
*2 B6 = 0...60 mbar, C3 = 0...250 mbar, C4 = 0...400 mbar, C6 = 0...600 mbar, 02 = 0...2 bar, 04 = 0...4 bar, 06 = 0...6 bar
*3 G $\frac{1}{2}$ thread at outlet



Order example:
R3110-04A
China website: www.duray-control.cn