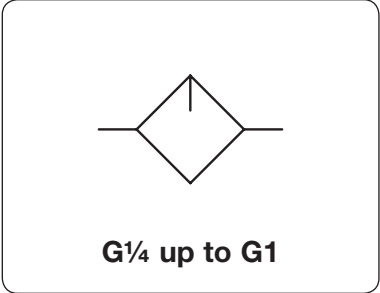


<b>Description</b>	Standard type mist lubricator of modular design with exchangeable insert kits. Can be interlocked with a filter or regulator without need for double nipples. A bypass valve and venturi nozzle guarantee low pressure drop and uniform lubrication of the compressed air. All "maxi" instruments are easy to take out of fixed piping by simply removing the two fastening bolts on the insert kits.
<b>Bowl</b>	metal bowl with sight glass
<b>Operating pressure</b>	max. 17 bar
<b>Oil refilling</b>	oil refilling under pressure possible
<b>Oil level indicator</b>	red ball inside the sight glass indicates oil level
<b>Temperature range</b>	0 °C to 70 °C / 32 °F to 158 °F
<b>Material</b>	Body: zinc die-cast Bowl: zinc die-cast Sight glass: polyurethane Elastomer: NBR/Buna-N



Dimensions			Bowl	Flow	Operating	Connection	Order
A	B	C	Design	rate	pressure	thread	number
mm	mm	mm	made of / with	m <sup>3</sup> /h*1	l/min*1	max. bar	G

"Maxi" lubricator								supply max. 17 bar	L20
89	229	170	metal / sight glass	0.3	108	1800	17	G <sup>1</sup> / <sub>4</sub>	<b>L20-02W</b>
					186	3100			<b>L20-03W</b>
					336	5600			<b>L20-04W</b>
111	229	170	metal / sight glass	0.3	420	7000	17	G <sup>3</sup> / <sub>4</sub>	<b>L20-06W</b>
					438	7300			<b>L20-08W</b>



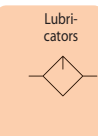
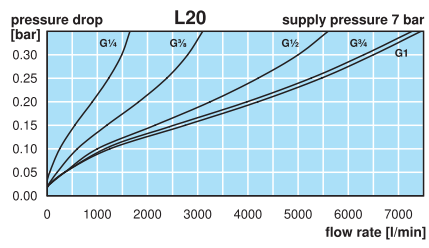
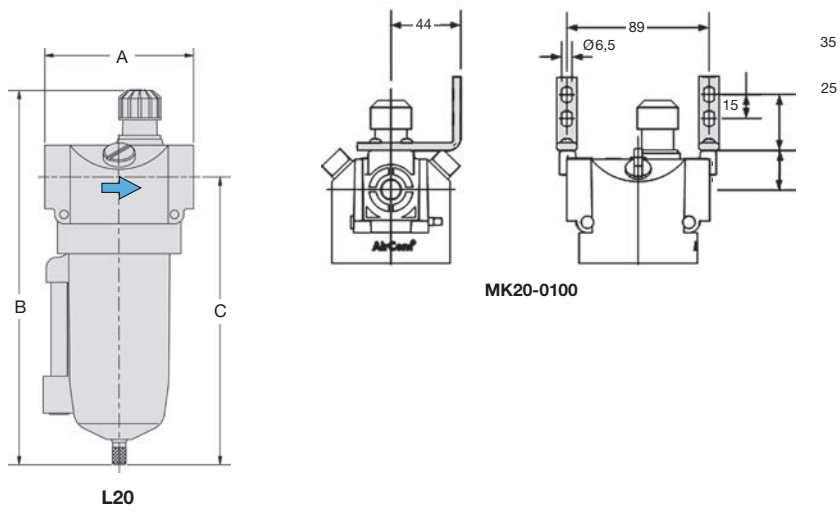
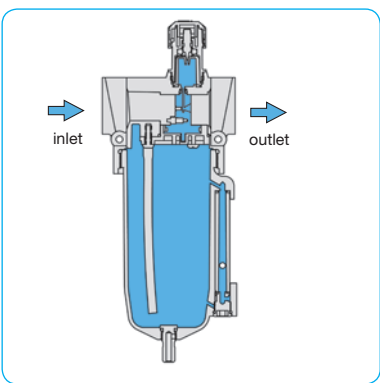
L20

### Special options, add the appropriate letter

NPT	connection thread	L20-0.WN
-----	-------------------	----------

### Accessories, enclosed

mounting bracket set	made of steel	MK20-0100
----------------------	---------------	-----------



\*1 at 7 bar operating pressure and 0.33 bar pressure drop



**Order example:**  
L20-02W  
China website: www.duray-control.cn