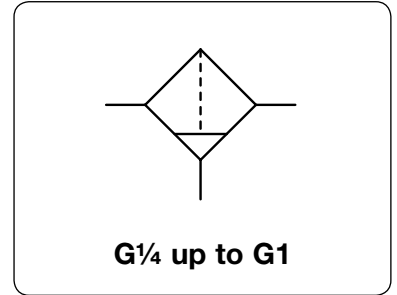


"Maxi" Compressed Air Filter

F20

Description	Compressed air filter of modular design with exchangeable inserts. Can be interlocked with regulator or lubricator without need for double nipples. Each "maxi" device may be taken from a fixed line in seconds by simply removing the mounting bolts.	
Filter element	40 µm, optionally 5 µm, made of polypropylene	
Bowl	metal version with sight glass	
Drainage	manual drain as standard,	optionally automatic or semiautomatic drain, for max. 12 bar
Operating pressure	max. 17 bar	
Temperature range	0 °C to 70 °C / 32 °F to 158 °F 0 °C to 50 °C / 32 °F to 122 °F for plastic bowl and automatic or semiautomatic drain version	
Material	Body: zinc die-cast Bowl: zinc die-cast	Sight glass: polyurethane Elastomer: NBR/Buna-N



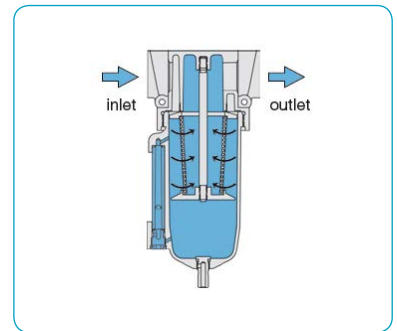
Dimensions			Bowl	Flow	Supply	Filter	Connection	Order
A	B	C	Design	rate	max.	element	thread	number
mm	mm	mm	made of / with	m ³ /h*1	l/min*1	µm	G	

"Maxi" filter									with manual drain and connection thread, supply pressure max. 17 bar		F20					
89	191	171	metal/sight glass	0.3	90	1500	17	5	G ¹ / ₄	F20-02WG	F20-02WJ					
					132	2200						40				
					138	2300							5	G ³ / ₈	F20-03WG	F20-03WJ
					186	3100										
					216	3600						5	G ¹ / ₂	F20-04WG	F20-04WJ	
288	4800	40														
111	191		171	metal/sight glass	0.3	294	4900	17	5	G ³ / ₄	F20-06WG	F20-06WJ				
		408				6800	40									
		300				5000							5	G1	F20-08WG	F20-08WJ
		420				7000										



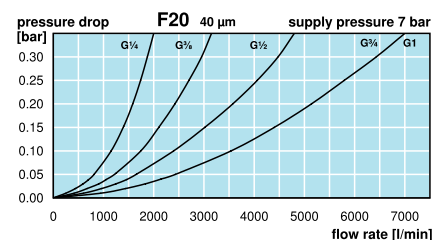
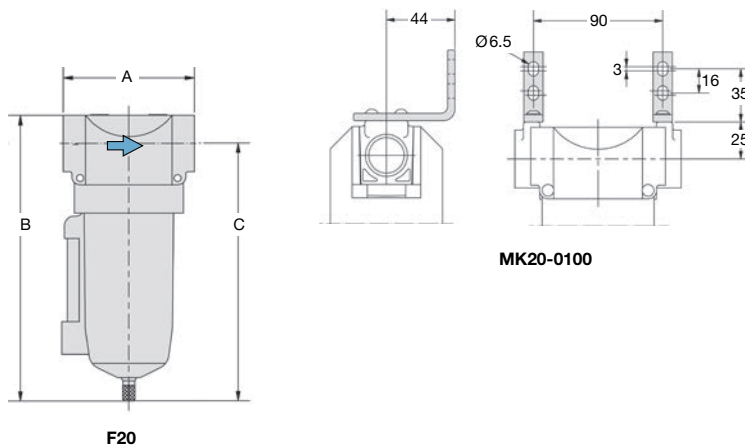
Special options, add the appropriate letter

NPT	connection thread	F20-0 .W .N
semiautomatic drain	RK500SY, max. 12 bar	F20-0 .W .M
automatic drain	SA605MD, max. 12 bar	F20-0 .W .R



Accessories, enclosed

mounting bracket set	made of steel	MK20-0100
-----------------------------	---------------	------------------



*1 at 7 bar supply pressure and 0.33 bar pressure drop



Order example:
F20-02WG
China website: www.duray-control.cn