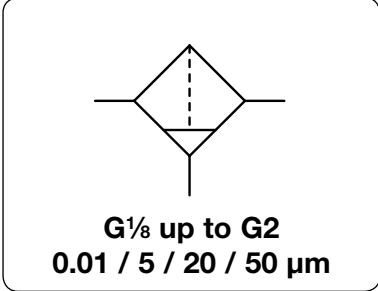


Compressed Air Filter Series "D", up to 30 bar

FD

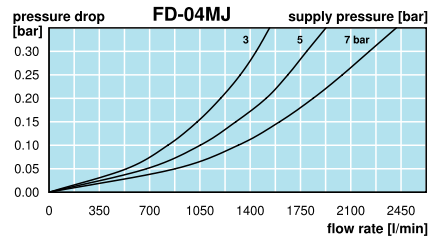
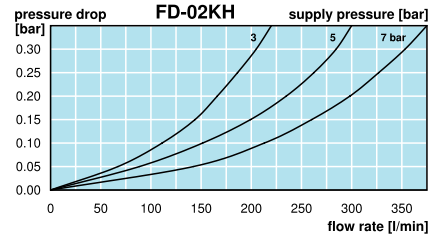
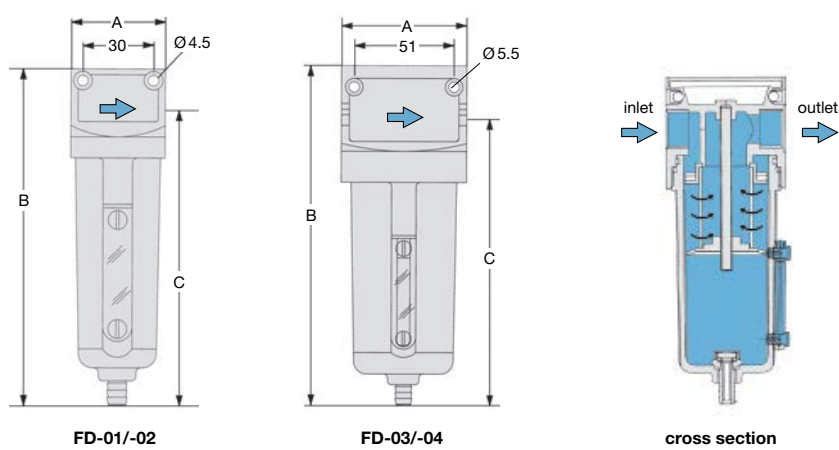
Description	Good value zinc die-cast regulator of solid design. Wall mounting through two drilled holes.		
Filter element	0.01 µm coalescing filter, 20 µm and 50 µm, optionally 5 µm or 50 µm, made of propylene coalescing filter: 99.99% based on 0.01 µm particle size		
Filtration efficiency	99.99%		
Bowl	plastic version normal, short or long	metal version with or without sight glass	
Drainage	semiautomatic drain as standard, for max. 16 bar		
Operating pressure	max. 12 bar for plastic bowl	or automatic drain, for max. 16 bar	max. 16 bar for metal bowl with sight glass
Temperature range	max. 30 bar for metal bowl without sight glass		
Material	0 °C to 50 °C / 32 °F to 122 °F	for plastic bowl or (semi-) automatic drain version	
	0 °C to 70 °C / 32 °F to 158 °F	for metal bowl with sight glass	
	0 °C to 80 °C / 32 °F to 176 °F	for metal bowl without sight glass	
	for appropriately conditioned compressed air down to -30 °C / -22 °F		
	Body: zinc die-cast	at sizes G $\frac{1}{8}$ and G $\frac{1}{4}$	
	aluminium	at sizes G $\frac{3}{8}$ to G2	
	Bowl: polyurethane or zinc die-cast	Elastomer: NBR/Buna-N	



Dimensions			Bowl	Flow	Supply	Filter	Connection	Order
A	B	C	Design	Capacity	rate	max.	element	number
mm	mm	mm	made of / with	l	m ³ /h*1	l/min*1	µm	G

Compressed air filter, series "D" with semiautomatic drain, 99.99 % at 0.01 µm FD

40	97	74	plastic/short	0.02	21	350	12	20	G $\frac{1}{8}$	FD-01UH
40	148	125	plastic/long	0.05			12			FD-01LH
40	114	91	plastic	0.03			12			FD-01KH
40	148	125	metal/sight glass	0.05			16			FD-01MH
40	148	125	metal	0.05			16			FD-01NH
40	148	125	metal/sight glass	0.05	4	70	16	0.01		FD-01MI
40	97	74	plastic/short	0.02	24	400	12	20	G $\frac{1}{4}$	FD-02UH
40	148	125	plastic/long	0.05			12			FD-02LH
40	114	91	plastic	0.03			12			FD-02KH
40	148	125	metal/sight glass	0.05			16			FD-02MH
40	148	125	metal	0.05			16			FD-02NH
40	148	125	metal/sight glass	0.05	4	70	16	0.01		FD-02MI
64	180	137	metal/sight glass	0.20	132	2200	16	50	G $\frac{3}{8}$	FD-03MJ
64	180	137	metal	0.20			16			FD-03NJ
64	180	137	metal/sight glass	0.20	27	450	30	0.01		FD-03MI
64	180	137	metal/sight glass	0.20	144	2400	16	50	G $\frac{1}{2}$	FD-04MJ
64	180	137	metal	0.20			16			FD-04NJ
64	180	137	metal/sight glass	0.20	30	500	16	0.01		FD-04MI
90	206	162	metal/sight glass	0.50	420	7000	16	50	G $\frac{3}{4}$	FD-06MJ
90	206	162	metal	0.50			16			FD-06NJ
90	206	162	metal/sight glass	0.50	84	1400	16	0.01		FD-06MI
90	206	162	metal/sight glass	0.50	510	8500	16	50	G1	FD-08MJ
90	206	162	metal	0.50			16			FD-08NJ
90	206	162	metal/sight glass	0.50	102	1700	16	0.01		FD-08MI



*1 at 7 bar operating pressure and 0.33 bar pressure drop

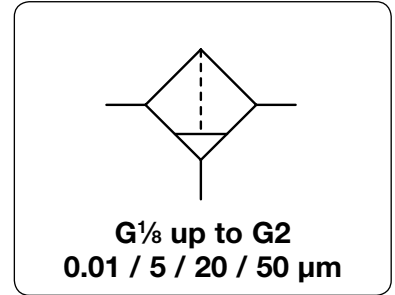


Order example:
FD-01UH
China website: www.duray-control.cn

Compressed Air Filter Series "D", up to 30 bar

FD

Description	Good value zinc die-cast regulator of solid design. Wall mounting through two drilled holes.
Filter element	0.01 µm coalescing filter, 20 µm and 50 µm, optionally 5 µm or 50 µm, made of propylene coalescing filter: 99.99% based on 0.01 µm particle size
Filtration efficiency	
Bowl	plastic version normal, short or long metal version with or without sight glass
Drainage	semiautomatic drain as standard, for max. 16 bar optionally manual drain, for max. 30 bar or automatic drain, for max. 16 bar
Operating pressure	max. 12 bar for plastic bowl max. 30 bar for metal bowl without sight glass max. 16 bar for metal bowl with sight glass
Temperature range	0 °C to 50 °C / 32 °F to 122 °F for plastic bowl or (semi-) automatic drain version 0 °C to 70 °C / 32 °F to 158 °F for metal bowl with sight glass 0 °C to 80 °C / 32 °F to 176 °F for metal bowl without sight glass for appropriately conditioned compressed air down to -30 °C / -22 °F
Material	Body: zinc die-cast at sizes G1½ and G1¼ aluminium at sizes G¾ to G2 Bowl: polyurethane or zinc die-cast Elastomer: NBR/Buna-N



Dimensions			Bowl	Flow	Supply	Filter	Connection	Order
A	B	C	Design	rate	max.	element	thread	number
mm	mm	mm	made of / with	l m³/h*1	l/min*1	µm	G	

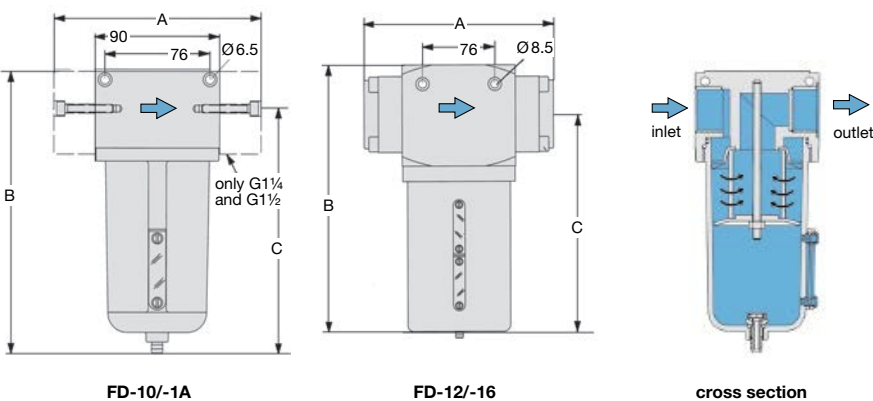
Compressed air filter, series "D" with semiautomatic drain, 99.99% at 0.01 µm FD

150	206	162	metal/sight glass	0.5	570	9500	16	50	G1¼	FD-10MJ
			metal	0.5			16			FD-10NJ
150	206	162	metal/sight glass	0.5	114	1900	16	0.01		FD-10MI
150	206	230	metal/sight glass	0.5	600	10000	16	50	G1½	FD-1AMJ
			metal	0.5			16			FD-1ANJ
150	206	230	metal/sight glass	0.5	120	2000	16	0.01		FD-1AMI
199	293	230	metal/sight glass	1.5	1800	30000	16	50	G1½	FD-12MJ
			metal	1.5			16			FD-12NJ
150	293	230	metal/sight glass	1.5	360	6000	16	0.01		FD-12MI
199	293	230	metal/sight glass	1.5	1800	30000	16	50	G2	FD-16MJ
			metal	1.5			16			FD-16NJ
150	293	230	metal/sight glass	1.5	360	6000	16	0.01		FD-16MI

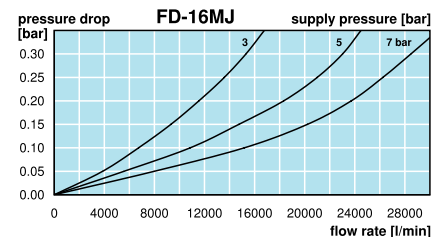
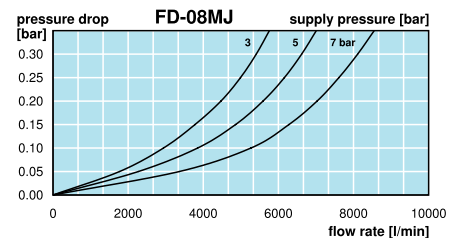


Special options, add the appropriate letter

5 µm filter element		for G1/8 to G1/2	FD-0. . G
		for G3/4 to G1	FD-0. . G
		for G1½ to G2	FD-1. . G
50 µm filter element		for G1/8 and G1/4	FD-0. . J
operating pressure 30 bar	only for metal bowl with manual drain		FD- . . N. H
manual drain	max. 16 bar		FD- H
automatic drain	draining through float valve, max. 16 bar	for G¾ to G2	FD- R



*1 at 7 bar operating pressure and 0.33 bar pressure drop



Order example:
FD-10MJ

China website: www.duray-control.cn

Filters

