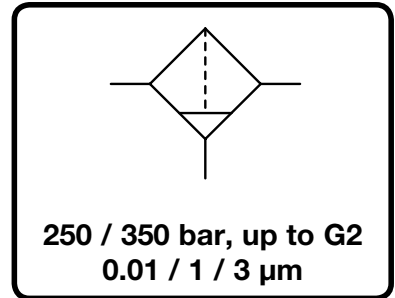


# High Pressure Filter up to 350 bar

G250 / G350

<b>Description</b>	The filter separates oil, water and solid impurities from compressed air or non-corrosive gases. It is resistant to mineral and synthetic oils.
<b>Filter element</b>	Fabric of borosilicate fibre A 901 with high-volume fiberglass bed. Coalescing effect based on Brownian motion. With stainless steel jacket and internal draining layer. An arrow indicates flow from inside to outside.
<b>Filtration efficiency</b>	99.99% based on 3 µm particle size, Δp= 0.02/0.07 bar*, see special options for further filters
<b>Service life</b>	Large filter volume through folding makes for exceptionally long service life and high capacity for collection of solid particles with low differential pressure.
<b>Filter change</b>	The filter must be changed as from 0.35 bar differential pressure or after one year at the latest.
<b>Drainage</b>	manual drain as standard <b>Operating pressure</b> max. 250 bar or 350 bar up to 100 °C / 212 °F short-term
<b>Temperature range</b>	1 °C to 80 °C / 34 °F to 176 °F at coalescing filter, 1 °C to 40 °C / 34 °F to 104 °F at activated carbon filter
<b>Material</b>	Body: chromated and powder-coated cast aluminium at sizes G¼ to G½, powder-coated steel at sizes G¾ to G2 Elastomer: NBR/Buna-N



Dimensions			Bowl	Flow	Connection	Order
A	B	C	design	rate	thread	number
mm	mm	mm	made of / with	m³/h	G	
			l	l/min		

## High pressure filter up to 250 bar with manual drain, 99.99% at 3 µm **G . /250**

85	330	305	aluminium /	0.35	125	2080	G¼	<b>G 3/250V</b>
85	330	305	manual drain	0.35	220	3670	G¾	<b>G 5/250V</b>
85	395	370		0.50	400	6670	G½	<b>G 7/250V</b>
116	445	420	steel /	1.40	900	15000	G¾	<b>G 9/250V</b>
116	530	505	manual drain	1.90	1400	23300	G1	<b>G11/250V</b>
125	640	607		4.20	1750	29200	G1½	<b>G12/250V</b>
125	900	867		4.20	2900	48300	G1½	<b>G13/250V</b>
125	925	880		6.80	4500	75000	G2	<b>G14/250V</b>



## High pressure filter up to 350 bar with manual drain, 99.99% at 3 µm **G . /350**

85	330	305	aluminium /	0.35	130	2170	G¼	<b>G 3/350V</b>
85	330	305	manual drain	0.35	250	4170	G¾	<b>G 5/350V</b>
85	395	370		0.50	450	7500	G½	<b>G 7/350V</b>
116	445	420	steel /	1.40	1020	17000	G¾	<b>G 9/350V</b>
116	530	505	manual drain	1.90	1500	25000	G1	<b>G11/350V</b>
125	640	607		4.20	1950	32500	G1½	<b>G12/350V</b>
125	900	867		4.20	3200	53300	G1½	<b>G13/350V</b>
125	925	880		6.80	5000	83300	G2	<b>G14/350V</b>

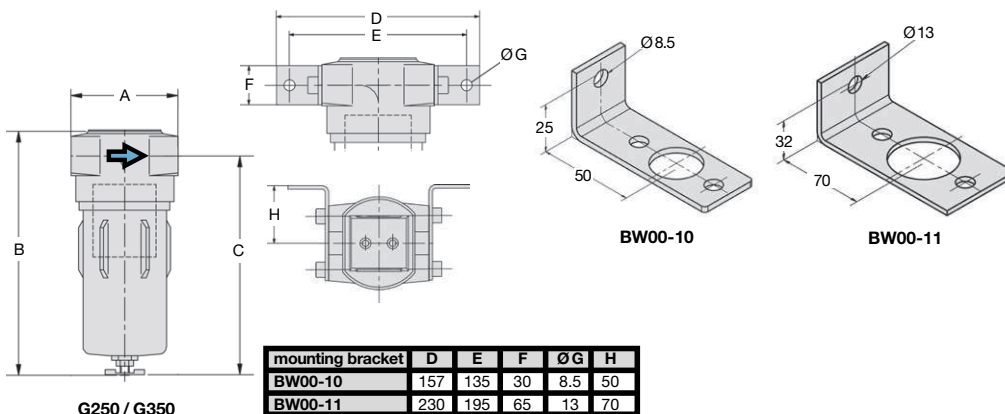


## Special options, add the appropriate letter

	filtration efficiency	residual oil	Δp*1	
<b>1 µm filter element</b>	99.9999 %,	< 0.5 mg/m³,	0.03/0.10 bar	G. /... ZP
<b>0.01 µm filter element</b>	99.99999 %,	< 0.01 mg/m³,	0.06/0.15 bar	G. /... XP
<b>0.01 µm filter element</b>	99.99999 %,	< 0.001 mg/m³,	0.12/0.28 bar	G. /... XP4
<b>activated carbon</b>		< 0.003 mg/m³	0.03 bar	G. /... A
<b>diff. pressure gauge</b>				G. /... D
<b>without manual drain</b>				G. /... H

## Accessories, enclosed

**mounting bracket set** made of steel for part no. G3 to G7 **BW00-10**  
for part no. G9 to G13 **BW00-11**



\*1 pressure drop, dry/wetted



**Order example:**  
**G3/250V**

China website: [www.duray-control.cn](http://www.duray-control.cn)

Filters

