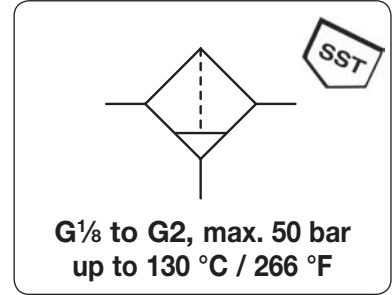


Filter Made of Stainless Steel Throughout, up to 50 bar

F3000

Description	Filter with bowl without sight glass completely made of stainless steel, extremely robust, suitable for compressed air, gases or liquids. Application examples are the chemistry, petroleum processing as well as food industry and medical technology.
Filter element	50 µm, optionally 5 µm, made of stainless steel
Bowl	stainless steel version without sight glass
Drainage	screw plug as standard, optionally manual drain (max. 30 bar) or automatic drain (max. 16 bar)
Operating pressure	max. 50 bar (without drain)
Temperature range	0 °C to 60 °C / 32 °F to 140 °F for NBR/Buna-N or FKM 0 °C to 130 °C / 32 °F to 266 °F for high temperature version for appropriately conditioned compressed air down to -20 °C / -4 °F
Material	Body: stainless steel 316L, material no. 1.4404 Bowl: stainless steel 316L, material no. 1.4404 Elastomer: NBR/Buna-N, optionally FKM Inner valve: stainless steel 316L, material no. 1.4404



Dimensions			Bowl capacity l	Flow rate m³/h*1	Operating pressure max. bar	Filter element µm	Connection thread G	Order number
A	B	C						
mm	mm	mm						

Stainless steel filter, up to 50 bar with screw plug, 50 µm F3000

40	95	82	0.04	45	750	50	50	G1/8	F3000-01
				45	750			G1/4	F3000-A2
65	120	107	0.15	54	900	50	50	G1/4	F3000-02
				60	1000			G3/8	F3000-03
80	145	123	0.28	150	2500	50	50	G1/2	F3000-04
				162	2700			G3/4	F3000-A6
100	191	165	0.58	432	7200	50	50	G3/4	F3000-06
				432	7200			G1	F3000-08
200	258	223	1.00	900	15000	50	50	G1 1/2	F3000-12
				960	16000			G2	F3000-16



F3000-02



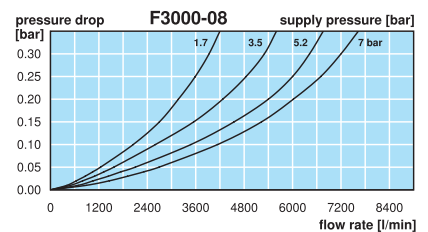
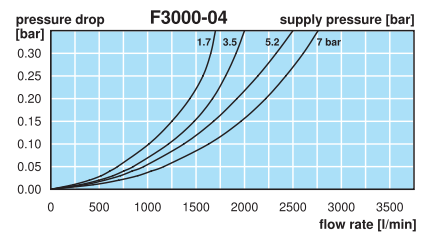
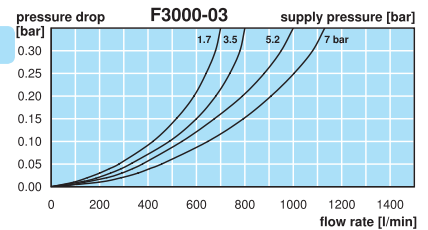
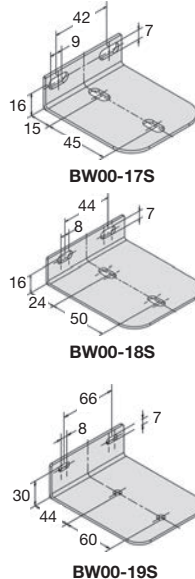
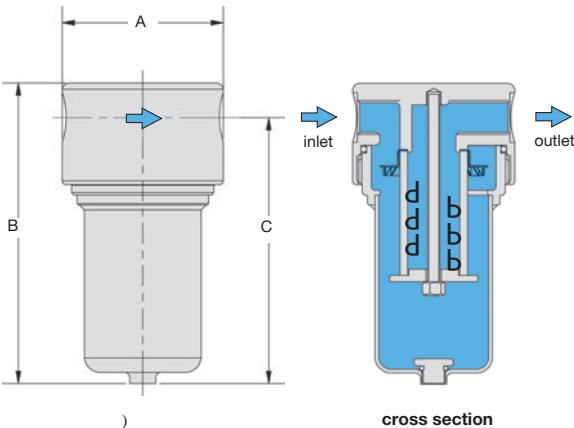
F3000-04

Special options, add the appropriate letter

5 µm filter element			for G1/4 (02) and G3/4 (A6)	F3000-.. G
			for G3/4 and G1	F3000-.. G
			for G1 1/2 and G2	F3000-.. G
NPT connection thread				F3000-.. N
up to 130 °C / 266 °F high temperature version				F3000-.. X54
manual drain max. 30 bar		for G1/4 (02) to G2		F3000-.. H
automatic drain max. 16 bar				F3000-.. R
EPDM elastomer				F3000-.. E
FKM elastomer				F3000-.. V
nitrogen N₂: 07	ammonia NH₃: 02	carbon dioxide CO₂: 03		F3000-.. 03
argon Ar: 05	helium He: 09	hydrogen H₂: 11		F3000-.. 11
methane CH₄: 13	oxygen O₂: 15	propane C₃H₆: 16		F3000-.. 16
nitrous oxide N₂O: 17	water H₂O: 17	water H₂O: 16		F3000-.. W
flange connection	see end of the chapter / flanges			F3000-.. F.

Accessories, enclosed

mounting bracket	for G1/4 and G3/8	BW00-17S
	for G1/2 and G3/4 (A6)	BW00-18S
	for G3/4 (06) and G1	BW00-19S



*1 at 7 bar operating pressure and 0.33 bar pressure drop



Order example:
F3000-01

China website: www.duray-control.cn

Filters

