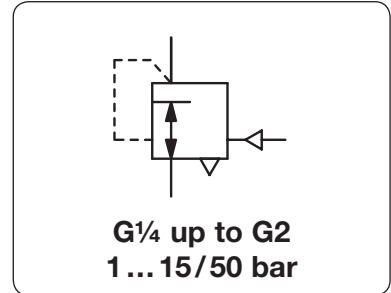


Volume Booster Made of Brass up to 50 bar

R120-J

Description	Solid volume booster made of brass or bronze throughout with a 1:1 transmission ratio. R120-02J2 to R120-08J2 are diaphragm-operated, R120-12J, R120-16J and R120-...J5 are piston-operated.		
Media	compressed air, non-corrosive gases or liquids		
Supply pressure	max. 50 bar		
Pilot pressure	max. 15 bar for R120-...J2, max. 50 bar for R120-...J5, pilot port G $\frac{1}{4}$		
Air consumption	without constant bleed		
Relieving function	non-relieving, optionally relieving		
Relief size	DN2 mm, optionally DN4 mm		
Gauge port	G $\frac{1}{4}$ on both sides of the body, one screw plug supplied		
Mounting position	any		
Temperature range	0 °C to 60 °C / 32 °F to 140 °F, optionally high temperature version up to 130 °C / 266 °F		
Material	Body: brass up to G $\frac{1}{2}$, bronze from G $\frac{3}{4}$ on	O-rings: NBR/Buna-N, optionally FKM or EPDM	Inner valve: brass



Dimensions	Reg. system	K _v	Flow rate	Connection	Signal	Pressure	Order
A B C	D: diaphragm P: piston	value	m ³ /h*1 l/min*1	thread	pressure max. bar	range bar	number

Brass volume booster				supply pressure max. 50 bar, non-relieving, without constant bleed, transmission ratio 1:1				R120-J		
64	90	34	D	0.35	25	420	G $\frac{1}{4}$	15	1 ... 15	R120-02J2
			P					50	1 ... 50	R120-02J5
80	103	38	D	1	72	1200	G $\frac{1}{2}$	15	1 ... 15	R120-04J2
			P					50	1 ... 50	R120-04J5
132	152	65	D	3.5	252	4200	G $\frac{3}{4}$	15	1 ... 15	R120-06J2
			P					50	1 ... 50	R120-06J5
132	152	65	D	4.2	300	5000	G1	15	1 ... 15	R120-08J2
			P					50	1 ... 50	R120-08J5
215	200	62	P	11.8	840	14000	G1 $\frac{1}{2}$	50	1 ... 50	R120-12J5
215	200	62	P	12.6	900	15000	G2	50	1 ... 50	R120-16J5



R120-02J2, accessory: gauge



R120-04J2, accessory: gauge



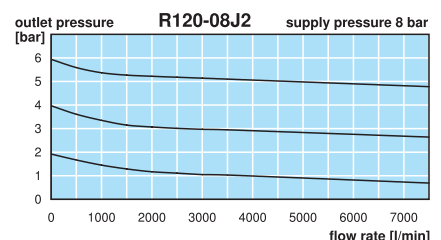
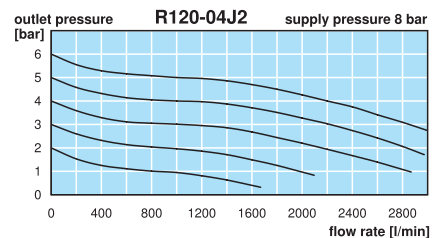
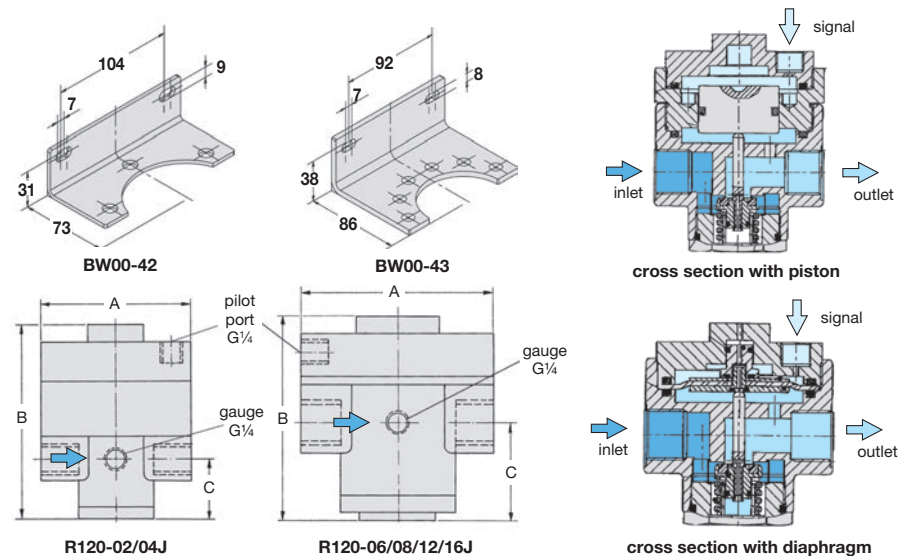
R120-08J2, accessory: gauge

Special options, add the appropriate letter

relieving diaphragm	for R120-02J2 up to R120-08J2		R120-...J.R
relieving piston	for R120-12J, R120-16J and R120-...J5		R120-...J.R
up to 130 °C / 266 °F	high temperature version		R120-...J.X54
FKM elastomer	not for G2		R120-...J.V
EPDM elastomer	not for G2		R120-...J.E
tapped exhaust			R120-...J.RX12
nitrogen	N ₂ : 07	carbon dioxide	CO ₂ : 03
helium	He: 09	hydrogen	H ₂ : 11
oxygen	O ₂ : 15	propane	C ₃ H ₈ : 16
		argon	Ar: R120-...J.05
		methane	CH ₄ : R120-...J.13
		nitrous oxide	N ₂ O: R120-...J.17
		water	H ₂ O: R120-...J.W

Accessories, enclosed

pressure gauge	Ø 50 mm, 0...*2 bar, G $\frac{1}{4}$	for G $\frac{1}{4}$ and G $\frac{1}{2}$	MA5002-..*2
pressure gauge	Ø 63 mm, 0...*2 bar, G $\frac{1}{4}$	for G $\frac{3}{4}$ up to G2	MA6302-..*2
mounting bracket	made of steel	for G $\frac{3}{4}$ and G1	BW00-42
		for G1 $\frac{1}{2}$ and G2	BW00-43



*1 at 8 bar supply pressure, 6 bar outlet pressure and 1 bar pressure drop
 *2 02 = 0...2.5 bar, 06 = 0...6 bar, 10 = 0...10 bar, 16 = 0...16 bar, 60 = 0...60 bar



Order example:
R120-02J2
 China website: www.duray-control.cn

