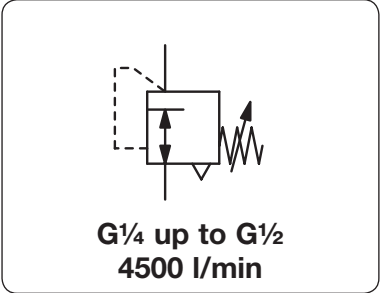


Precision Pressure Regulator with High Flow Rate and Exhaust

R03

Description	Regulator provides precision regulation in high flow and high relief applications. A sensitive rolling diaphragm and balanced inner valve ensure constant outlet pressure even with changing supply pressure and flow fluctuations. The regulator is silicone-free and suitable for panel mounting, oil-free and 5 µm filtered compressed air or non-corrosive gases	
Media	max. 16 bar	
Supply pressure	at supply pressure change from 2 bar to 7 bar: < 6 mbar pressure deviation	
Accuracy	at volume flow change from 0 l/min to 20 l/min: < 20 mbar pressure deviation	
	response sensitivity: < 4 mbar	
Air consumption	< 1.5 l/min at P ₁ = 5 bar, < 2 l/min at P ₁ = 7 bar, < 4 l/min at P ₁ = 10 bar, < 1% of volume flow	
Adjustment	by handwheel with locknut, suitable for panel mounting	
Relieving function	relieving	
Relief capacity	700 l/min at 6 bar outlet and 0.35 bar overpressure above setpoint	
Gauge port	G _{1/4} on both sides of the body, one screw plug supplied	
Temperature range	0 °C to 60 °C / 32 °F to 140 °F, for appropriately conditioned compressed air down to -35 °C / -31 °F	
Material	Body: zinc die-cast Elastomer: NBR/Buna-N	



Dimensions			K _v value (m ³ /h)	Flow rate		Connection thread G	Pressure range bar	Order number
A	B	C		m ³ /h*1	l/min*1			

Precision pressure regulator								supply pressure max. 16 bar, relieving, with constant bleed	R03
82	200	41	2.1	198	3300	G _{1/4} *3	0.01 ... 3 0.02 ... 5 0.04 ... 7 0.05 ... 10		R03-02A R03-02B R03-02C R03-02D
82	200	41	2.4	228	3800	G _{3/8} *3	0.01 ... 3 0.02 ... 5 0.04 ... 7 0.05 ... 10		R03-03A R03-03B R03-03C R03-03D
82	200	41	2.9	270	4500	G _{1/2}	0.01 ... 3 0.02 ... 5 0.04 ... 7 0.05 ... 10		R03-04A R03-04B R03-04C R03-04D



R03

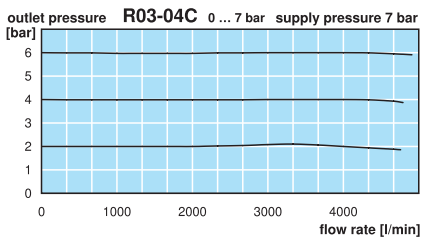
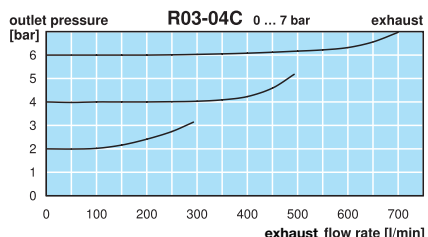
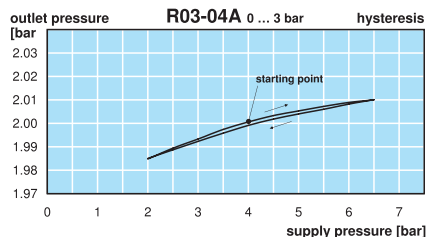
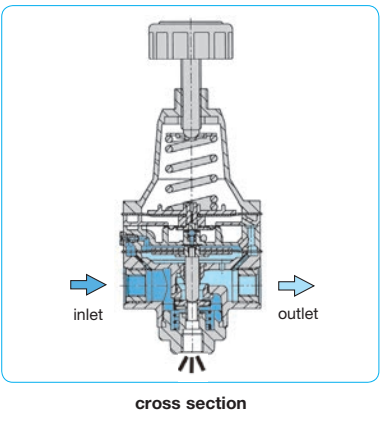
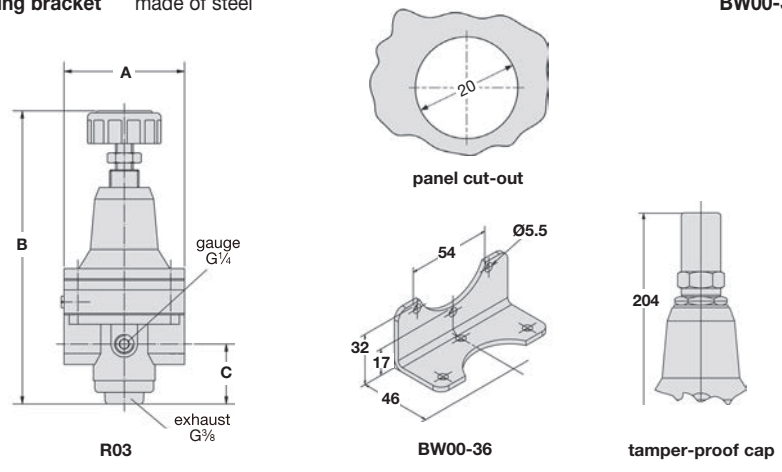
Special options, add the appropriate letter

tamper-proof cap total height 204 mm R03-0..T

Accessories, enclosed

pressure gauge Ø 50 mm, 0...*2 bar, G_{1/4} MA5002-...*2

mounting bracket made of steel BW00-36



*1 at 7 bar supply pressure and 6 bar outlet pressure
*2 04 = 0...4 bar, 06 = 0...4 bar, 10 = 0...10 bar
*3 standard unit G_{1/2} is reduced to smaller threads by fittings



Order example:
R03-02A
China website: www.duray-control.cn