

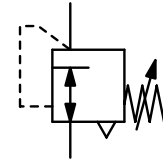
Plastic Pressure Regulator for Compressed Air and Water

R25 / R45

Miniature



Description	Miniature pressure regulator with diaphragm, designed for compressed air and water applications. All internal wetted sections are corrosion-resistant, lead free and without any brass components. Material approved by the NSF and FDA. Regulator for modular application with many integrated fixing holes.	
Media	compressed air, non-corrosive gases or water	
Supply pressure	max. 11 bar	
Adjustment	by plastic knob with snap-lock	
Relieving function	relieving for air, non-relieving for liquids	
Gauge port	G $\frac{1}{8}$ on both sides of R25,	G $\frac{1}{4}$ on both sides of R45, screw plugs supplied
Mounting position	any	
Temperature range	0 °C to 50 °C / 32 °F to 122 °F	
Material	Body: glass fibre-reinforced acetal Inner valve: glass fibre-reinforced acetal	Elastomer: NBR/Buna-N



G $\frac{1}{8}$ up to G $\frac{3}{8}$, FDA compressed air or water

Dimensions			Flow rate		Connection	Pressure	Order no.	Order no.
A	B	C	water	air	thread	range	for water	for compr. air
mm	mm	mm	l/min*1	l/min*1	G	bar	non-relieving	relieving

Pressure regulator						supply pressure max. 11 bar	R25	
40	78	12	3	150	G $\frac{1}{8}$	0...1	R25-010K	R25-010
							R25-01AK	R25-01A
							R25-01BK	R25-01B
							R25-01CK	R25-01C
40	78	12	3	150	G $\frac{1}{4}$	0...1	R25-020K	R25-020
							R25-02AK	R25-02A
							R25-02BK	R25-02B
							R25-02CK	R25-02C



R25-02C

Regulator for high flow						supply pressure max. 11 bar	R45	
52	87	13	10	680	G $\frac{1}{4}$	0...1.8	R45-02AK	R45-02A
							R45-02BK	R45-02B
							R45-02CK	R45-02C
52	87	13	13	960	G $\frac{3}{8}$	0...1.8	R45-03AK	R45-03A
							R45-03BK	R45-03B
							R45-03CK	R45-03C



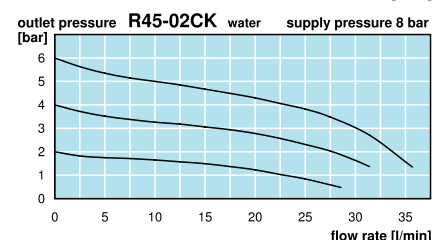
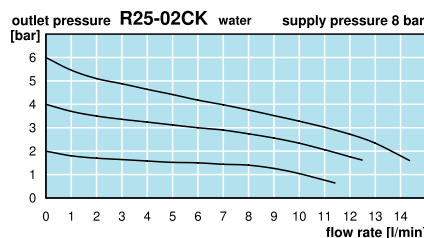
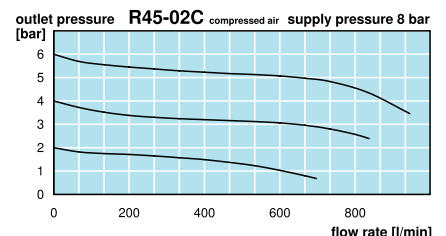
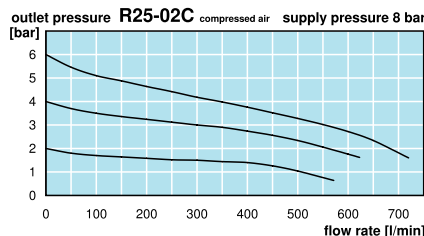
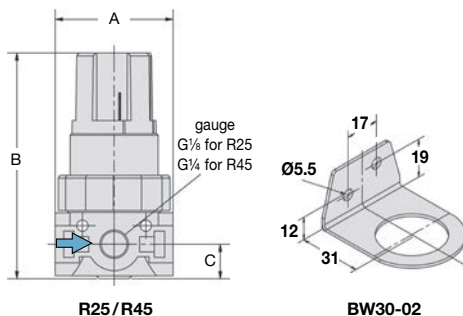
R45-03C

Special options, add the appropriate letter

adjustment lock	socket wrench adjustment, height 64 mm	R25 only	R25-0...T
------------------------	--	----------	-----------

Accessories, enclosed

pressure gauge	Ø 40 mm, 0...*2 bar, G $\frac{1}{8}$	for R25	MA4001-...*2
	Ø 50 mm, 0...*2 bar, G $\frac{1}{4}$	for R45	MA5002-...*2
mounting bracket	made of steel		BW30-02
mounting nut	made of plastic		M30x1,5K
	made of aluminium		M30x1,5A



*1 at 8 bar supply pressure, 6 bar outlet pressure and 1 bar pressure drop, for water supply pressure 2 bar above outlet pressure
*2 01 = 0...1 bar, 02 = 0...2,5 bar, 04 = 0...4 bar, 10 = 0...10 bar



Order example:
R25-010K

China website: www.duray-control.cn