

KEYSTONE

Resilient-Seated Butterfly Valve Sizes 2 thru 20 inch, 200 psi

Features

- Primary stem seal, formed by preloaded contact of disc hub with flatted seat surfaces, completely isolates stem and body from the line media.
- Secondary stem seal, formed by an engineered interference fit of the stem through the seat, provides additional sealing integrity.
- Rounded, polished disc edge provides full 360 degree concentric seating, minimum flow restriction, lower seating and unseating torques and maximum seat life.
- Superior, one-piece thru-shaft design provides high-strength and positive disc control. Shaft ends are standardized for operator interchangeability.
- Self-locking, stainless steel disc screws allow quick and easy disassembly and provide a positive connection.
- Self-adjusting, bi-directional stem seal is suitable for full industrial vacuum and pressure, preventing external contamination of the stem area.
- Heavy-duty, corrosion-resistant top bushing absorbs actuator side thrust loads.
- Replaceable, metal-reinforced seat, completely encapsulated by rubber, isolates the stem and body from the media and eliminates seat distortion due to high vacuum or turbulence.
- Each valve is factory tested to 110 percent of specified pressure rating assures drop-tight shut-off.
- Cast-in top plate is an integral part of the body and is standardized to allow direct mounting of all Keystone actuators.



Technical Data

Pressure Rating: 200 psi

Sizes: 2 thru 20 inch

General Applications

The Figure 129 and Figure 139 are heavy duty, resilient-seated butterfly valves that are ideally suited for many industrial high performance applications, such as air, water and vacuum service. Figures 129 and 139 can also be used for marine and naval use where MIL-V-22133C specified valves are required. Consult factory for appropriate materials for other services.

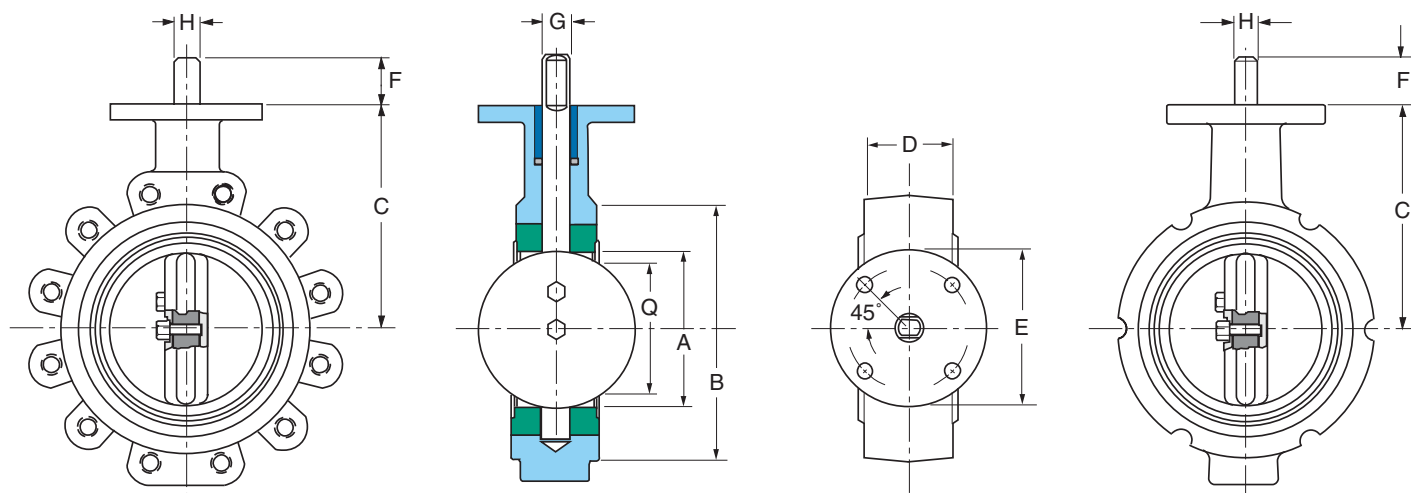
Materials of Construction

Body:	Cast iron Ductile iron Nickel aluminum bronze
Disc:	Ductile iron Aluminum bronze 316 Stainless steel Monel®
Stem:	316 Stainless steel 18-8 Stainless steel
Seat:	NBR, EPDM
Stem Bushing:	Polyester
Disc Screws:	316 Stainless steel Monel®
Stem Packing:	NBR

tyco / Flow Control

Total Flow Control Solutions™

Dimensions



Valve Dimensions (inches)

Size	A	B	C	D	Q	E	F	G	H	Key	Top Plate Drilling			Tapped Lug Data			Weight (lbs)		Adapt Code
											Bolt Circle	Bolt Holes	No. Diam.	Bolt Circle	Bolt Holes	No. Tap	129	139	
2	2	4 ¹ / ₈	3 ¹⁵ / ₁₆	1 ⁵ / ₈	1 ⁷ / ₁₆	4	1 ¹ / ₄	9 ¹ / ₁₆	3 ⁸ / ₈	N/A	3 ¹ / ₄	4	7 ¹ / ₁₆	4 ³ / ₄	4	5 ⁸ / ₈ - 11NC	8	6 ¹ / ₂	BAB
2 ¹ / ₂	2 ¹ / ₂	4 ⁷ / ₈	4 ¹ / ₂	1 ³ / ₄	2 ¹ / ₁₆	4	1 ¹ / ₄	9 ¹ / ₁₆	3 ⁸ / ₈	N/A	3 ¹ / ₄	4	7 ¹ / ₁₆	5 ¹ / ₂	4	5 ⁸ / ₈ - 11NC	9	8	BAB
3	3	5 ³ / ₈	4 ⁷ / ₈	1 ³ / ₄	2 ¹¹ / ₁₆	4	1 ¹ / ₄	9 ¹ / ₁₆	3 ⁸ / ₈	N/A	3 ¹ / ₄	4	7 ¹ / ₁₆	6	4	5 ⁸ / ₈ - 11NC	10	9 ¹ / ₂	BAB
4	4	6 ⁷ / ₈	6	2	3 ³ / ₄	4	1 ¹ / ₄	5 ⁸ / ₈	7 ¹ / ₁₆	N/A	3 ¹ / ₄	4	7 ¹ / ₁₆	7 ¹ / ₂	8	5 ⁸ / ₈ - 11NC	18	14	BAC
5	5	7 ³ / ₄	6	2 ¹ / ₈	4 ³ / ₄	4	1 ¹ / ₄	5 ⁸ / ₈	7 ¹ / ₁₆	N/A	3 ¹ / ₄	4	7 ¹ / ₁₆	8 ¹ / ₂	8	3 ⁴ / ₄ - 10NC	21	15 ¹ / ₂	BAC
6	6	8 ³ / ₄	6 ¹ / ₂	2 ¹ / ₈	5 ¹⁵ / ₁₆	4	1 ¹ / ₄	3 ⁴ / ₄	1 ² / ₂	N/A	3 ¹ / ₄	4	7 ¹ / ₁₆	9 ¹ / ₂	8	3 ⁴ / ₄ - 10NC	25	18 ¹ / ₂	BAD
8	8	11	8 ⁵ / ₁₆	2 ¹ / ₂	7 ⁷ / ₈	6	1 ¹ / ₄	7 ⁸ / ₈	5 ⁸ / ₈	N/A	5	4	9 ¹ / ₁₆	11 ³ / ₄	8	3 ⁴ / ₄ - 10NC	44	34 ¹ / ₂	CAE
10	10	13 ³ / ₈	9	2 ¹ / ₂	9 ¹⁵ / ₁₆	6	2	1 ¹ / ₈	N/A	1 ⁴ / ₄ x 1 ⁴ / ₄	5	4	9 ¹ / ₁₆	14 ¹ / ₄	12	7 ⁸ / ₈ - 9NC	61	47	CAF
12	12	16 ¹ / ₈	10 ⁵ / ₈	3	11 ⁷ / ₈	6	2	1 ¹ / ₈	N/A	1 ⁴ / ₄ x 1 ⁴ / ₄	5	4	9 ¹ / ₁₆	17	12	7 ⁸ / ₈ - 9NC	95	80	CAF
14	13	17 ⁵ / ₈	12	3	12 ¹³ / ₁₆	6	3	1 ³ / ₈	N/A	5 ¹ / ₁₆ x 5 ¹ / ₁₆	5	4	9 ¹ / ₁₆	18 ³ / ₄	12	1 - 8UNC	131	115	CAG
16	15	20 ¹ / ₄	12 ⁶¹ / ₆₄	4	14 ³ / ₄	6	3	1 ⁵ / ₈	N/A	3 ⁸ / ₈ x 3 ⁸ / ₈	5	4	9 ¹ / ₁₆	21 ¹ / ₄	16	1 - 8UNC	221	210	CAH
18	17	21 ¹ / ₂	14 ¹ / ₂	4 ¹ / ₄	16 ¹¹ / ₁₆	8	4 ¹ / ₄	1 ⁷ / ₈	N/A	1 ² / ₂ x 3 ⁸ / ₈	6 ¹ / ₂	4	1 ³ / ₁₆	22 ³ / ₄	16	1 ¹ / ₈ - 7UNC	264	240	DAJ
20	19	23 ³ / ₄	15 ⁷ / ₈	5	18 ⁵ / ₈	8	4 ¹ / ₄	1 ⁷ / ₈	N/A	1 ² / ₂ x 3 ⁸ / ₈	6 ¹ / ₂	4	1 ³ / ₁₆	25	20	1 ¹ / ₈ - 7UNC	368	316	DAJ

Notes

- 'Q' dimension is the minimum allowable pipe or flange inside diameter at the centered body face to protect the disc sealing edge against damage when opening the valve.
- 'B' dimensions refer to Figure 139 body O.D. dimensions.
- Monel® is a registered trademark of the International Nickel Company.

Tyco Valves & Controls

www.tycovalves.com

The data presented in this bulletin is for general information only. Manufacturer is not responsible for acceptability of these products in relation to system requirements. Patents and Patents Pending in U.S. and foreign countries. All rights reserved. Printed in U.S.A. Tyco reserves the right to change product design and specifications without notice. © Copyright 2003.