



Topic:	Page	Topic:	Page
1. Quick Start Guide	1	8. Wiring the Magmeter with Frequency or Digital Output	6
2. Specifications	2	9. Custom System Span and Setup Tool	7
3. Installation Pipe Fittings	3	10. Using the i-Go 0232 Converter and Setup Tool	8
4. Selecting a Location	3	11. Averaging and Sensitivity Settings	9
5. 2551 Magmeter Configuration	4	12. Calibration Data	10
6. General Installation & Grounding Tips	5	13. Maintenance	15
7. Wiring the Magmeter with 4-20 Loop	5	Ordering Information	16

1. Quick Start Guide

This manual contains the general installation, wiring and calibration data for the Signet 2551-XX-11 Magmeter with Frequency or Serial data output, and for the Signet 2551-XX-12 Magmeter with Current output. The basic steps are outlined on this page. See each referenced section for detailed information.

1. Configure the Hardware
2551-XX-11 ONLY: Position this Jumper to select digital (S³L) output or Frequency output. (Not used for Current output version) Sec. 8 Pg. 6

Position the PIPE SIZE Jumper according to your pipe size. Sec. 5 Pg. 4

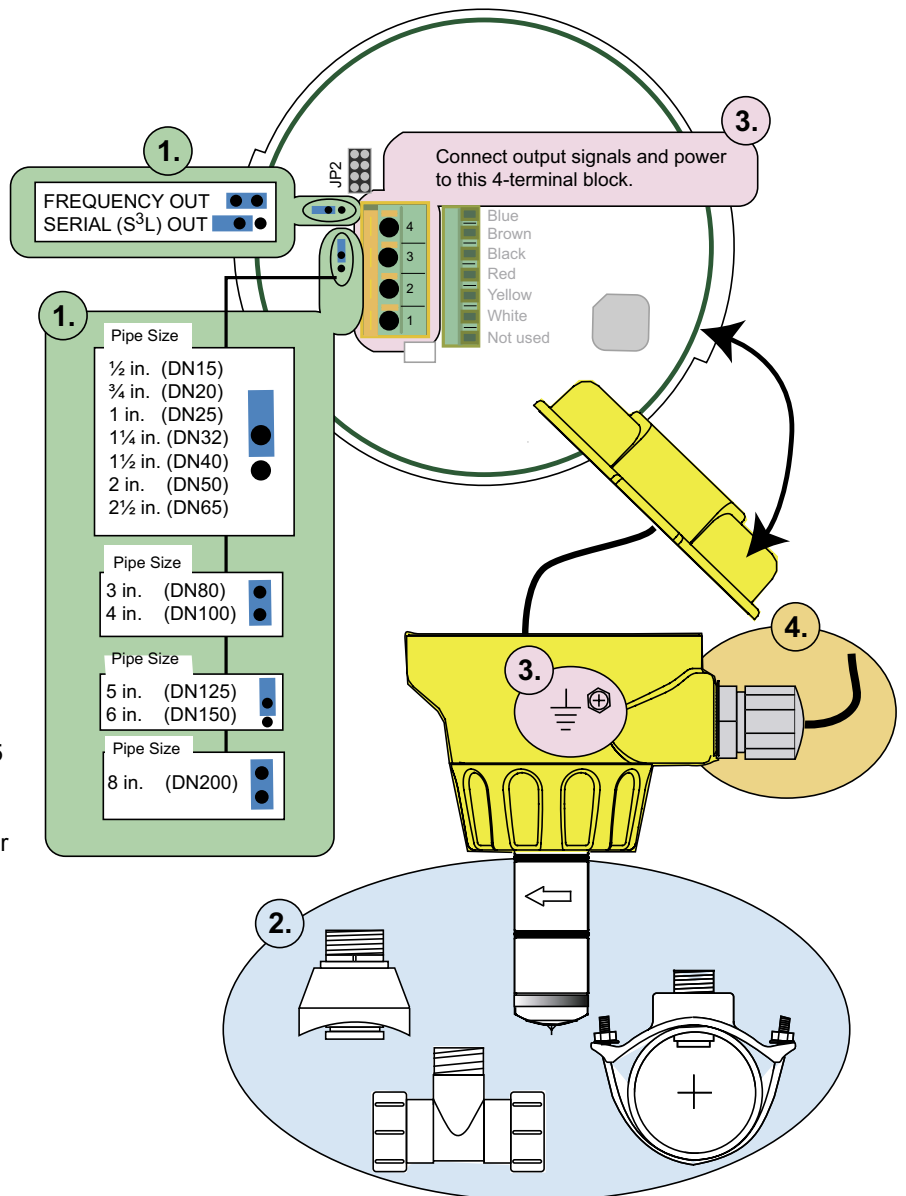
2. Install the Magmeter into the pipe.
Use Signet installation fittings ONLY.
The installation fitting is critical to Magmeter performance. Sec. 3-4, Pg. 3

3. Connect POWER and OUTPUT wiring.
2551-XX-11 Frequency out: Sec. 8.1 Pg. 6
2551-XX-11 Serial data out: Sec. 8.2 Pg. 9
2551-XX-12 Current out wiring: Sec. 7 Pg. 5

GROUNDING

Without a good Earth Ground, the Magmeter may not operate efficiently. Sec. 6 Pg. 5

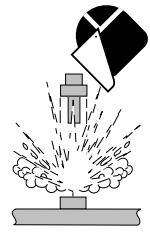
4. Route the wiring out through the two cable ports. Use appropriate hardware to secure the 2551 from moisture intrusion. One Liquid Tight Connector is included. Sec. 5-6 Pg 4-5





SAFETY INSTRUCTIONS

1. Depressurize and vent system prior to installation or removal.
2. Confirm chemical compatibility before use.
3. Do not exceed maximum temperature/pressure specifications.
4. Wear safety goggles or face shield during installation/service.
5. Do not alter product construction.
6. Disconnect power before attempting any service or wiring.



2. Specifications

Wetted Materials:

- Sensor body, electrodes and grounding ring:
 - -P0, -P1: Polypropylene and 316L Stainless Steel
 - -W0, -W1: PVDF and 316L Stainless Steel
- O-rings: FPM standard
EPDM, Kalrez® optional

Other materials:

- Case: PBT
- Ground terminal: 316 Stainless Steel

Power Requirements

- 4 to 20 mA: 21.6 to 26.4 VDC, 22.1 mA maximum
- Frequency: 4.5 to 26.4 VDC, 15 mA maximum
- Digital (S³L): 4.5 to 6.5 VDC, 15 mA maximum
- Reverse polarity and short circuit protected

Performance

- Pipe size range: -P0, -W0: ½ in. to 4 in.
-P1, -W1: 5 in. to 8 in.
- Flow Range: Minimum: 0.05 m/s (0.15 ft/s)
Maximum: 10 m/s (33 ft/s)
- Linearity: ±(1% reading + 0.01 m/s)
±(1% reading + 0.033 ft/s)
- Repeatability: ±0.5% of reading @ 25°C
- Minimum Conductivity: 20 µS/cm

Output Specifications

Current output (4 to 20 mA)

- Programmable and reversible
- Compatible with Signet 5091 Current Meter
- Loop Accuracy: 32 µA max. error
(@ 25°C @ 24 VDC)
- Temp. drift: ±1 µA per °C max.
- Power supply rejection: ±1 µA per V
- Isolation: Low voltage <48 VAC/DC
from electrodes and auxiliary power
- Maximum cable: 300 m (1000 ft.)
- Maximum Loop Resistance: 300 Ω
- Error condition: 22.1 mA

Frequency output:

- Max. Pull-up Voltage: 30 VDC
- Short Circuit Protected: ≤30 V @ 0Ω pull-up for one hour
- Reverse Polarity Protected -40 V
- Overvoltage Protected to 40 V with pullup resistor
- Max. Current Sink: 50 mA, current limited
- Maximum cable: 300 m (1000 ft.)
- Compatible with Signet 5075, 5500, 5600, 8550 and 8900

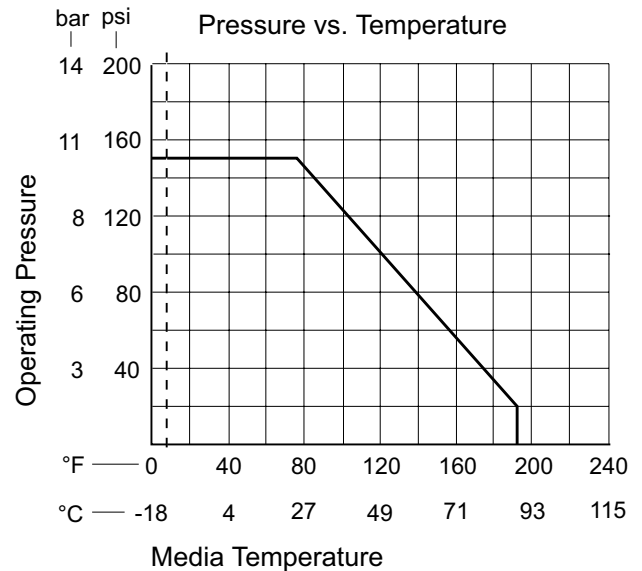
Digital (S³L) Output:

- Serial ASCII, TTL level 9600 bps
- Maximum cable: Application dependent
(See 8900 manual)
- Compatible with Signet 8900

Environmental Requirements

- Storage Temperature: -20°C to 70°C (-4°F to 158°F)
- Relative Humidity: 0 to 95% (noncondensing)
- Operating Temperature
Ambient: -10° to 70°C (14°F to 158°F)
Media: 0° to 85°C (32°F to 185°F)

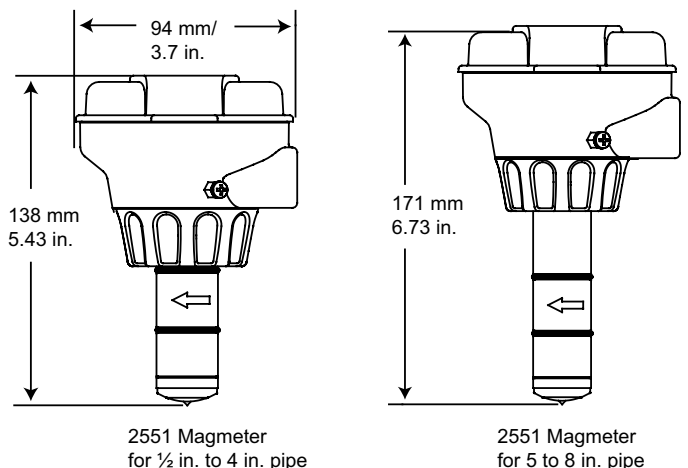
Max. operating pressure: 10.3 bar @ 25°C (150 psi @ 77°F)
1.4 bar @ 85°C (20 psi @ 185°F)



Tests, Approvals & Standards

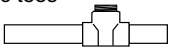

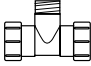






- NEMA 4X
- CE
EN 61326: Immunity and Emissions for Control Equipment

Dimensions



3. Installation: Pipe fittings

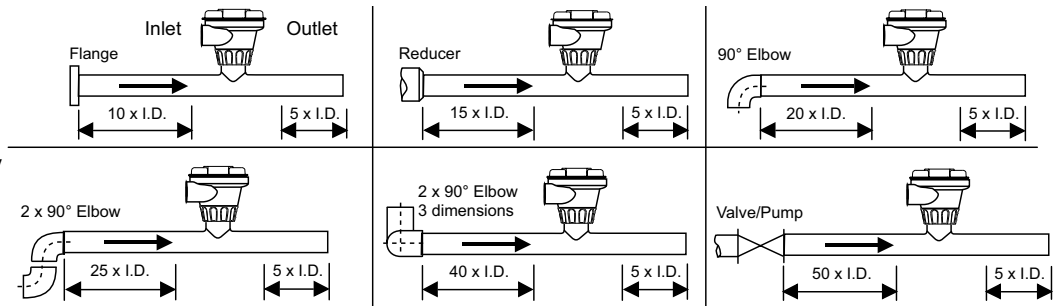
George Fischer Signet offers a wide selection of installation fittings that control the position of the Magmeter electrodes in relation to the dimensions of the pipe. You will find a complete list of order numbers for installation fittings in the Calibration tables on pages 10-14.

Type	Description	Type	Description
Plastic tees 	<ul style="list-style-type: none"> • 0.5 to 4 inch versions • PVC or CPVC 	Iron, Carbon Steel, 316 SS Threaded tees 	<ul style="list-style-type: none"> • 0.5 to 2 in. versions • Mounts on threaded pipe ends
Metric Union Fitting 	<ul style="list-style-type: none"> • For pipes from DN 15 to 50 mm • PP or PVDF 	Carbon steel & stainless steel Weld-on Weldolets 	<ul style="list-style-type: none"> • 2 to 4 inch, cut 1-7/16 inch hole in pipe • Over 4 inch, cut 2-1/8 inch hole in pipe
PVC Saddles 	<ul style="list-style-type: none"> • 2 to 4 inch, cut 1-7/16 inch hole in pipe • 6 to 8 inch, cut 2-1/8 inch hole in pipe 	Fiberglass tees & saddles: FPT  FPS 	<ul style="list-style-type: none"> • 1.5 in. to 8 in. PVDF insert • > 8 in. PVC insert
Iron Strap-on saddles 	<ul style="list-style-type: none"> • 2 to 4 inch, cut 1-7/16 inch hole in pipe • Over 4 inch, cut 2-1/8 inch hole in pipe 	Metric Wafer Fitting 	<ul style="list-style-type: none"> • For pipes DN 65 to 200 mm • PP or PVDF

4. Selecting a Location

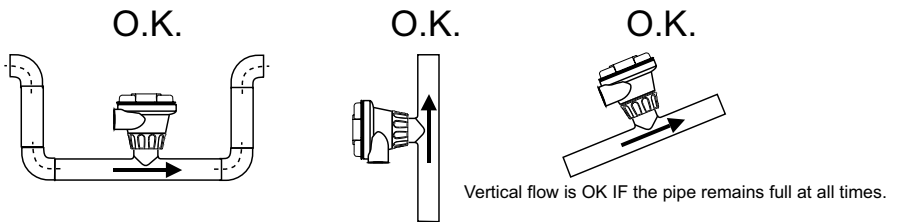
- The 2551 requires a full pipe and a fully developed turbulent flow profile for accurate measurement.
- If the piping system harbors air pockets or bubbles, take steps to locate the sensor so the air pockets will not contact the electrodes.
- In vertical installations, assemble the 2551 so the conduit ports are facing downward. This prevents condensation inside the conduit from being directed into the 2551 electronics housing.

Select a location with sufficient distance of straight pipe immediately upstream of the sensor.

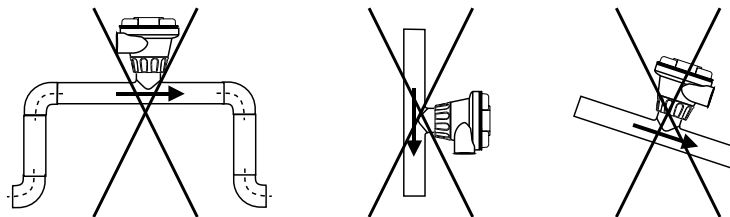


Locating the sensor in a trap or where the flow is upward helps to protect the sensor from exposure to air bubbles when the system is in operation.

NOTE: The system must be designed to keep the sensor wet at all times.

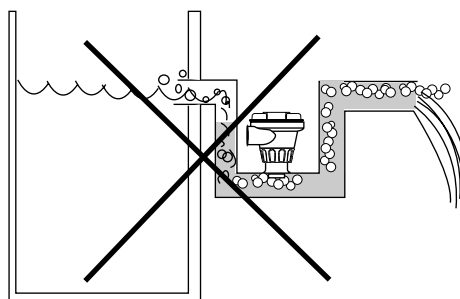


These configurations are not recommended because it is difficult to keep the pipe full.



In a gravity-flow system, the tank must be designed so the level does not drop below the outlet.

This causes the pipe to draw air in from the tank. If air bubbles pass across the Magmeter electrodes, the output will become erratic.

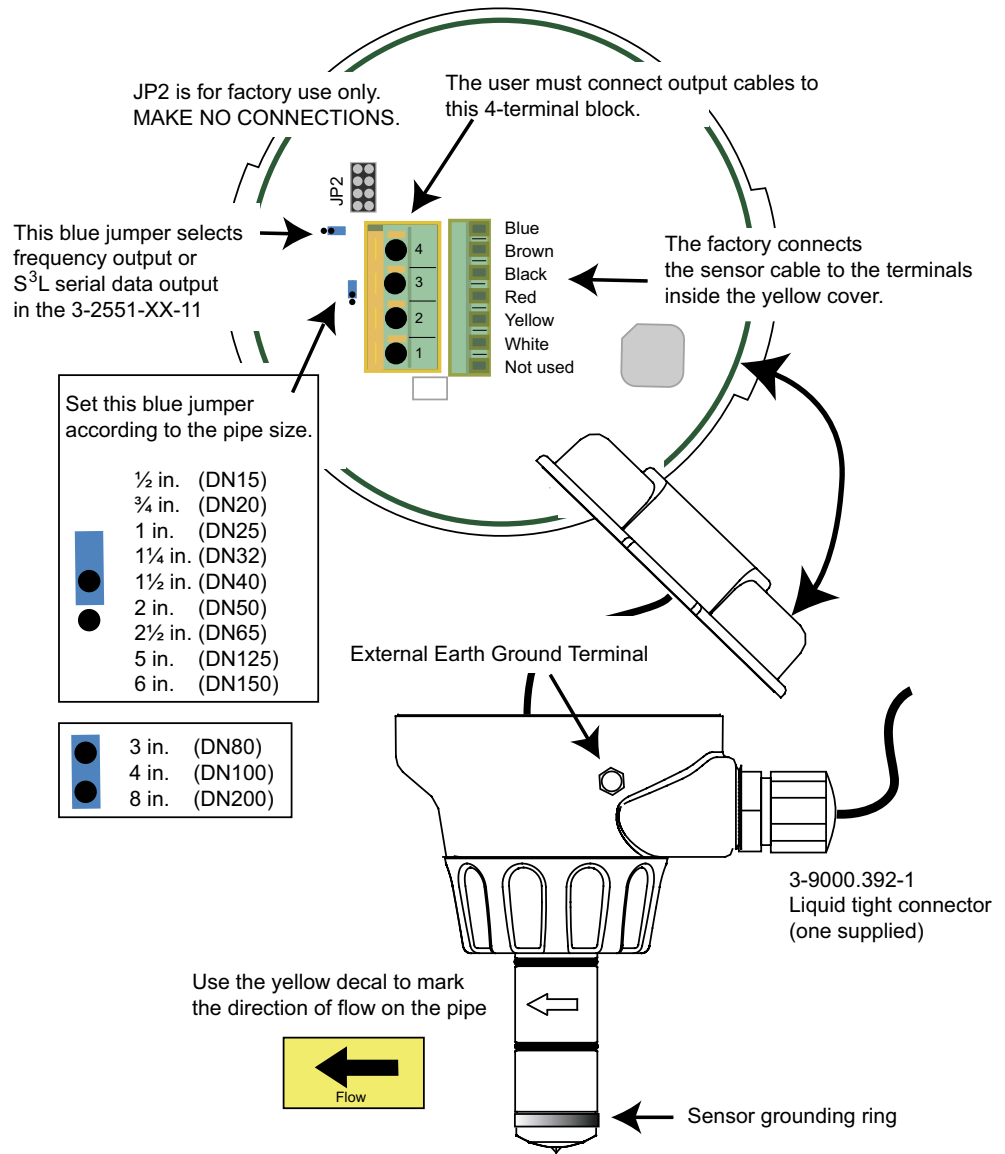


5. 2551 Magmeter Configuration

Whether using the 2551-XX-11 (frequency or digital S³L output) or the 2551-XX-12 (with 4-20 mA output), the wiring terminals located on the inside of the yellow cover are identical. All of the connections from the Magmeter to external equipment (PLC, Datalogger, Chart Recorder, Flow meter, etc.) are made at the large 4-position terminal connector.

When the cover is removed the wiring from the sensor can be seen connected to the smaller terminal block. These connections should always remain connected to prevent inadvertent damage or miswiring.

The terminals on the 2551 Magmeter are designed for conductors from 16 AWG to 22 AWG.



WARNING!

If the second conduit port is used, carefully drill the opening. (The plastic is too strong to be punched out.)

- Secure the Magmeter in a vise to prevent damage or injury.
- The plastic inside the port is very thin. Do not allow the drill to penetrate too deeply and damage the Magmeter wiring.



Important:

- The directional arrow on the body of the sensor must be pointed DOWNSTREAM.
- The FLOW arrow decal can be placed directly on the pipe to identify the direction of flow.
- Use a cable gland or a liquid tight connector to seal the cable ports from water intrusion.
- The yellow housing may be reversed to align the conduit ports as required.
- If the Magmeter is installed on a vertical pipe, the conduit ports should be turned to point downward. This will prevent condensation from being channeled into the enclosure.
- Use plumber's tape or a suitable sealant on cable ports.

6. General Installation and Grounding Tips

Sensor conditioning

The Magmeter output signal may be unstable immediately after installation. Allowing the sensor to soak in a full pipe (or in any container of water) for 24 hours will stabilize the performance.

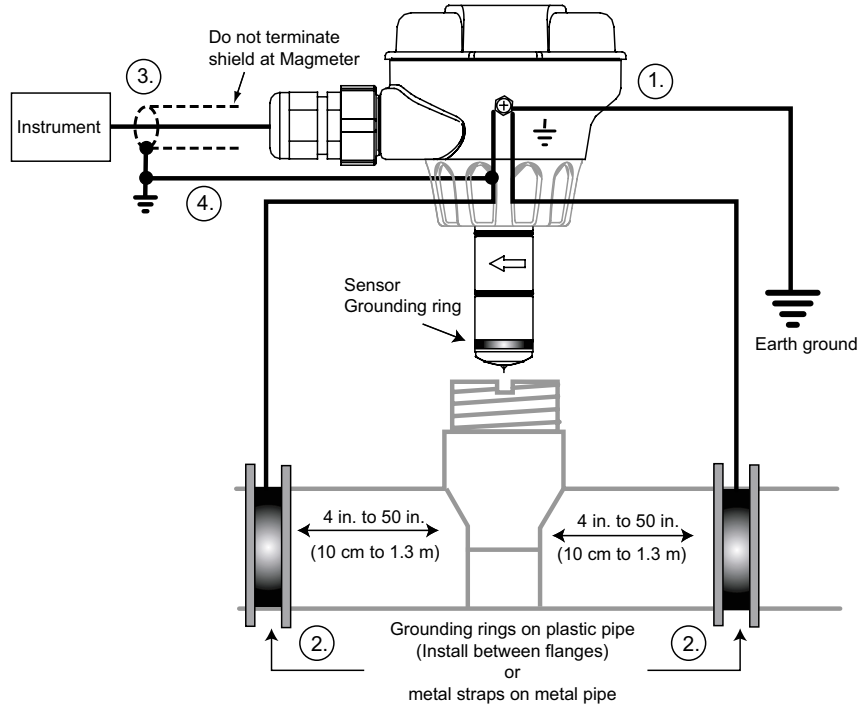
- Very low conductivity fluids may require a longer conditioning period. (The Magmeter may not operate properly in fluids where the conductivity is less than 20 $\mu\text{S}/\text{cm}$.)

Grounding

The 2551 Magmeter is unaffected by moderate levels of electrical noise. However, in some applications it may be necessary to ground portions of the system to eliminate electrical interference. The grounding requirements will vary with each installation.

One or more of the following steps may be applied if the 2551 Magmeter is affected by electrical noise:

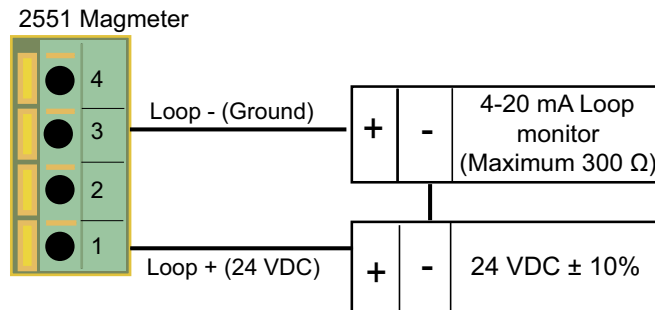
- ① The ground terminal on the outside of the yellow housing is connected internally to the grounding ring at the tip of the sensor. Connect a wire (14 AWG/1.5 mm² recommended) from this terminal directly to a local Earth ground.
- ② Install fluid grounding devices immediately upstream and downstream of the Magmeter. Connect the fluid grounds to the Earth ground terminal on the 2551. Use flanged grounding rings or metal electrodes on plastic pipes, or metal clamps on metal pipes. Fluid grounds must be in direct contact with the fluid, and as near to the Magmeter as possible.
- ③ The shield from the output cable must be terminated at the remote instrument ONLY. This shield must not be connected at both ends!
- ④ Connect an additional wire (minimum AWG 14/1.5 mm²) from the remote instrument ground to the Magmeter ground terminal.



7. Wiring the 2551-XX-12 Magmeter with 4-20 mA Loop Output

The 2551-XX-12 Magmeter is a traditional 2-wire passive 4-20 mA loop transmitter.

- External loop power (24 VDC $\pm 10\%$) is required. See Ordering Information for power supplies.
- **The maximum loop resistance the Magmeter can accommodate is 300 Ω .**
- All 2551-XX-12 Magmeters are shipped from the factory with the 4-20 mA output scaled for 0 to 5 m/s (0 to 16.4 ft/s). If this operating range is suitable, no adjustments are necessary. The Calibration charts on pages 10-14 list the 20 mA setpoint for each installation fitting. Use this information to program the 4-20 mA range of the loop device (PLC, Datalogger, recorder, etc.)

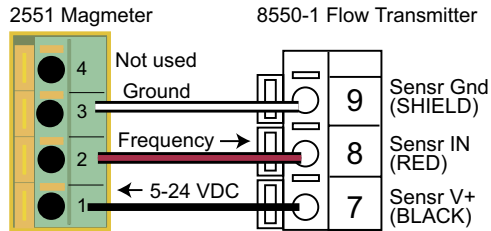
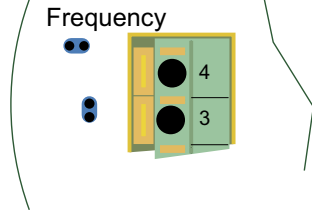


8. Wiring the 3-2551-11 with Frequency or Digital (S³L) output

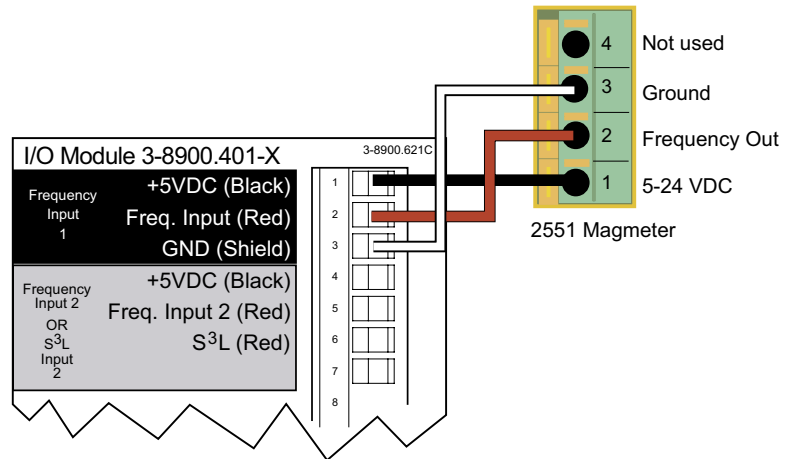
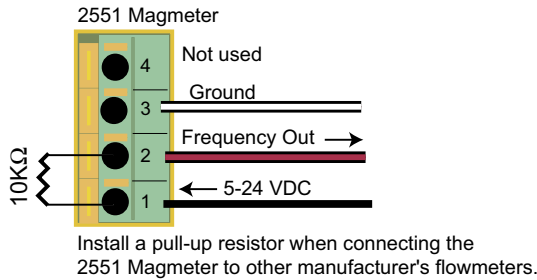
8.1 Wiring: Frequency output (Compatible with all POWERED Signet Flow instruments.)

- When the blue jumper is placed over both pins, the 2551-XX-11 outputs an open collector frequency signal that can be connected to any powered Signet flow meter. (Models 5075, 5500, 5600, 8550, 8900.)
- 5 to 24 VDC power is provided to the 2551 Magmeter by all Signet flow instruments. No additional power is required.
- If connecting the 2551 Magmeter to a flow instrument from another manufacturer, 5 to 24 VDC power must be provided to the 2551. A 10 KΩ pull up resistor must also be connected between terminals 1 and 2.

Blue Jumper
ON



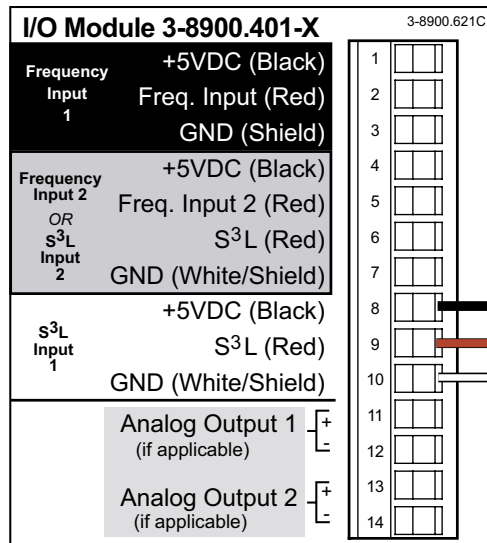
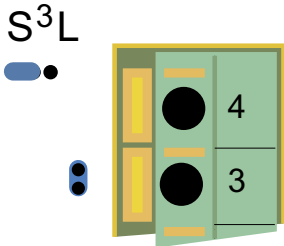
Connect AUX power on the 8550 to provide the power to the 2551 OPEN COLLECTOR output.



8.2 Wiring: S³L output (Compatible with 8900 Multi-Parameter Controller only)

- For serial (S³L) output remove the BLUE JUMPER (place it over a single pin for storage.)
- The 2551 receives 5 VDC power from the 8900. No additional power is required.

Blue Jumper
OFF



NOTE:
The maximum cable length from the 2551 to the 8900 depends on the 8900 configuration. Refer to the 8900 manual for complete information.

9. Custom System Span and Setup

- The 3-0232 Setup tool enables the user to configure the 2551 Magmeter to suit the application.
- The Setup tool connects the 2551 to a computer by converting the serial data output into standard RS232 format.
- The computer operating system must be Windows 98, 2000, 2000 Pro, XP, XP Pro ONLY.
- The 3-0232 Setup tool is not compatible with any other operating system.

9.1 Collect the Equipment and information that will be required:

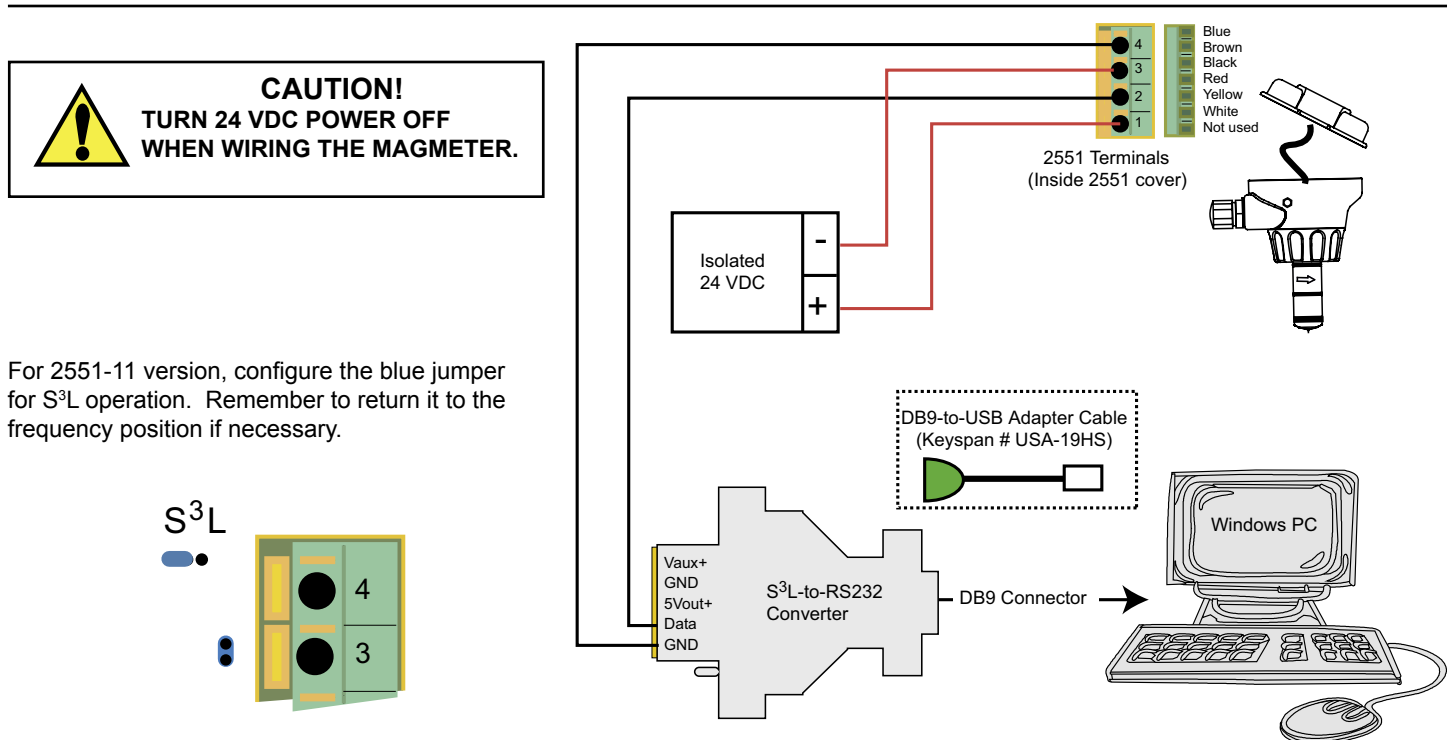
- 3-0232 Setup Tool (Includes one RS232 Converter and one CD-ROM with software)
- 24 VDC ISOLATED power source.
- Personal computer with:
 - Intel Pentium or Higher or AMD 1800 or Higher
 - Windows 98, 2000, 2000 Pro, XP, XP Pro operating system
 - CD ROM Reader capable of reading ISO 9660 Format
 - Free Disk Space Of 400 KB
- DB9 serial-to-USB converter cable
(required only for computers that do not have a DB9 serial port available.)
- Pipe data (id, K-factor from Sec. 12, Pg 10-14)
- Measurement Preferences (engineering units, timebase)

9.2 Install the software onto the computer:

1. Insert the CD-ROM into a computer that is running on Win98, Win2000, or Win XP.
2. Navigate to Explorer and open the CD drive.
3. Double-click the setup.exe file and follow the instructions to install the program.

9.3 Connect the Magmeter to the computer:

1. Remove the cover from the Magmeter.
2. Connect the 2551 output terminals 2 and 4 to the input terminals of the RS232 Interface.
3. Connect the isolated 24 VDC power source to the 2551, terminals 1 and 3.
4. For 2551-11 version, configure the blue jumper for S³L operation. Remember to return it to the frequency position if necessary. (section 8.2, Pg 6.)
5. Connect the DB9 serial output connector from the RS232 Interface to the computer.
Note: If the computer does not have an available DB9 serial port, use a serial-to-USB converter cable. Signet recommends cable model USA-19HS by Keyspan. (www.keyspan.com)



The following page outlines each step in the 2551 Magmeter Setup Tool software.

10. Using the 3-0232 i-Go S³L to RS232 Converter and Setup Tool to customize the 3-2551 Magmeter

Procedure:

1. Before making the specific settings in this program, set the general information about the pipe and application preferences in the **Application Settings** fields.
2. Next, click the "Read sensor settings" button at the bottom left corner of the display. Now the display shows all of the current settings in the Magmeter.
3. Make any changes in the **Loop Settings** and **Performance Settings** areas as required.
4. Finally click "Write Settings to Sensor" at the bottom of the display to download the new settings to the Magmeter.
To repeat the same settings in a second 2551 Magmeter, turn off the 24 VDC Power to the 2551, remove the four wires from the Magmeter terminal, and connect the second Magmeter. Now just click "Write Settings to Sensor" again. Before removing the Magmeter, click "Read Sensor Settings" to make sure the new settings were loaded.

Note: Recall factory values for Loop and Performance Settings by clicking the "Restore to Factory Settings" button. ALL settings are lost if the computer is powered down.

Application Settings:

Flow/Velocity Units (factory set: Meters)

- Select the engineering units preference: meters, feet, cubic meters, liters, cu. ft., U.S. gallons, Imp. gallons.

Timebase (factory set: Seconds)

- Set the timebase preference: seconds, minutes, hours

Pipe ID (Inside Diameter) (factory set: 44.0)

- Enter the inside diameter of the pipe.

ID Units: (factory set: millimeters)

- Select inches or mm for the dimensions of the pipe.

K-Factor (factory set: 65.7665)

- The number of pulses generated by the Magmeter as one unit of fluid passes by the sensor is the K-factor.
- The K-factor MUST be entered in PULSES PER LITER. See K-Factor charts on pages 10-14.

Loop Settings (4-20 mA sensors Only)

- Enter the flow rate at 4 mA. (Factory set: 0 m/s)
- Enter the flow rate at 20 mA. (Factory set: 5 m/s)
- When the RESTORE FACTORY SETTINGS button is pressed, the 20 mA setpoint will be restored to the equivalent of 5 m/s, in terms of the Flow units and Timebase selected above.

Performance Settings

Review the detailed explanation of **averaging** and **sensitivity** functions on page 9.

Averaging Time in Seconds (Factory set: 14 seconds)

- Set the time the Magmeter will use as the averaging period.

With averaging at 14 seconds, each display is an average of the previous 14 seconds input.

Use higher averaging times to smooth the display and current output where the flow in the pipe is erratic.

Quick Response Sensitivity (Factory set: 25% of Maximum Range, or 2.5 m/s)

- Set the percentage of change in the flow rate required to allow the Magmeter to override the AVERAGING and jump to a new flow rate immediately. (2551 maximum range is 10 m/s)

Noise Rejection Frequency (Factory set: 60 Hz)

- Set according to local AC power specifications.

Low Flow Cut-off (Factory set: 0.05 m/s)

- Set the flow rate where the Magmeter outputs will be forced to zero. (Current output will be forced to 4 mA.)

Sensor Information

Serial Number, Sensor Type:

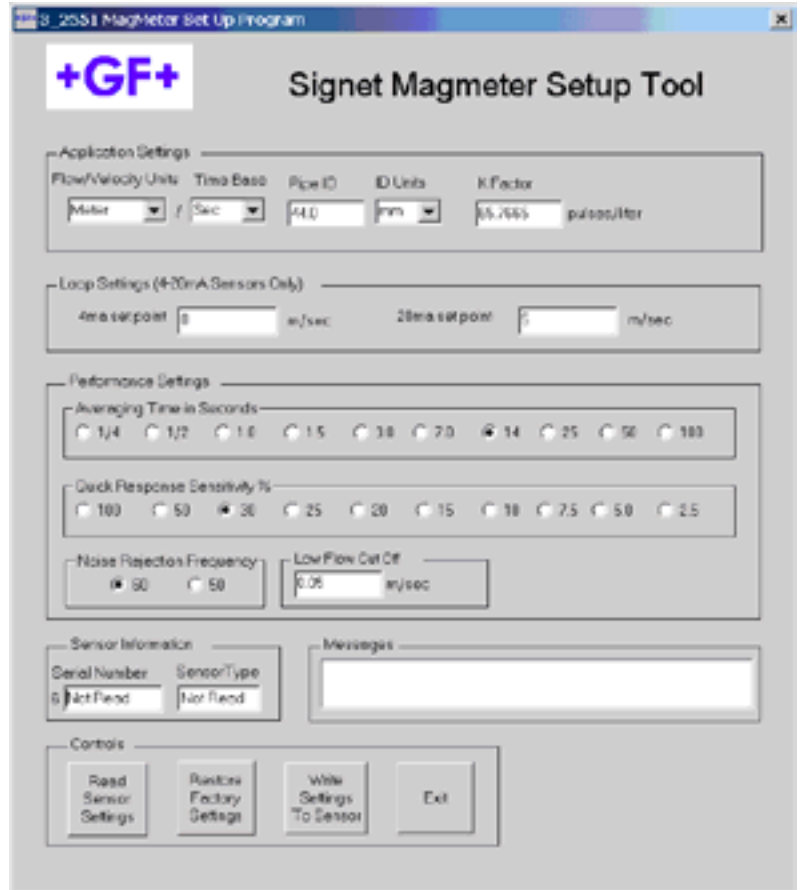
- Information for these fields is read from the Magmeter when you press the Read Sensor Settings button.

Messages

- The information here changes as you move through the setup program. They explain the features and warn of potential problems.

Controls

- Read Sensor Settings: Read values from the Magmeter into this setup display.
- Restore Factory Settings: Restores Loop and Performance settings to original factory.
- Write Settings to Sensor: Copies all of the settings in this setup display into the Magmeter.



11. 2551 Magmeter Averaging and Sensitivity Settings

Because ideal flow conditions are often impossible to achieve, the flow rate is often erratic, which causes any control features (ie; relays, 4-20 mA loops, etc.) that are associated with the flow rate will also be erratic.

The best solution to these problems is to correct any piping deficiency that causes the instability. This may involve longer straight runs upstream.

measures are simply not possible.

The 2551 Magmeter provides several tools that are designed to "work around" these deficiencies. They are called "Performance Settings" and can be modified only through the i-Go S³L to RS232 Converter and the 2551 Magmeter Setup Tool. The noise rejection and the Low Flow Cutoff settings are self-explanatory. The Averaging and the Sensitivity features should be studied before making adjustments.

Averaging Time in Seconds (Factory set: 14 seconds)

- Set the time the Magmeter will use as the averaging period. With averaging at 14 seconds, each display is an average of the previous 14 seconds input. Use higher averaging times to smooth the display and current output where the flow in the pipe is erratic.

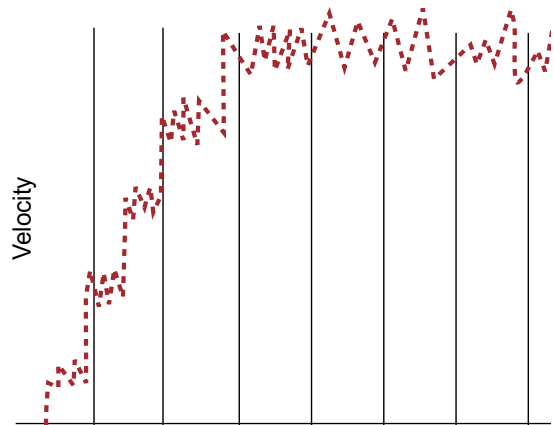
Quick Response Sensitivity (Factory set: 25% of Maximum Range, or 2.5 m/s)

- Set the percentage of change in the flow rate required to allow the Magmeter to override the AVERAGING and jump to a new flow rate immediately. (2551 maximum range is 10 m/s)

The pictures below illustrate the effect of these settings.

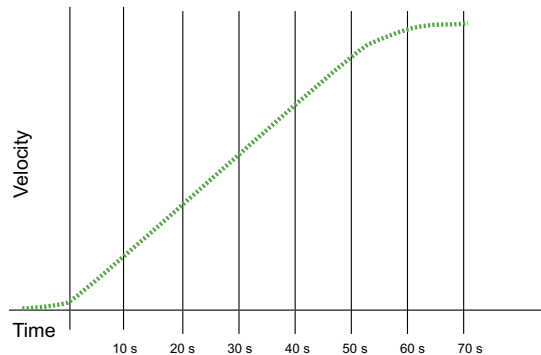
No AVERAGING, no SENSITIVITY

With AVERAGING set to 0 (zero) the SENSITIVITY is ineffective, and the flow rate may be very unstable. This will cause the output signals to respond erratically.



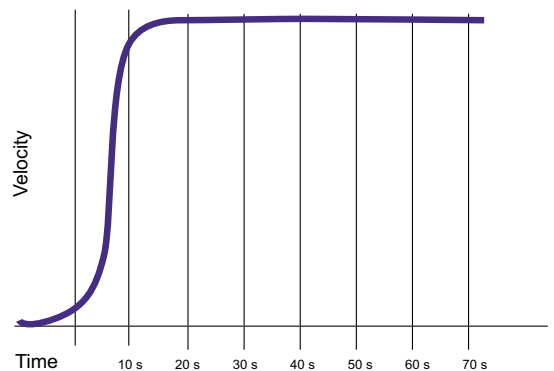
AVERAGING Only

With AVERAGING set to 60 seconds and SENSITIVITY set to 100%, the flow rate is stabilized, but a sharp change in flow rate is not represented for 60 seconds or longer. This can cause system problems if one of the operating setpoints falls within this range.



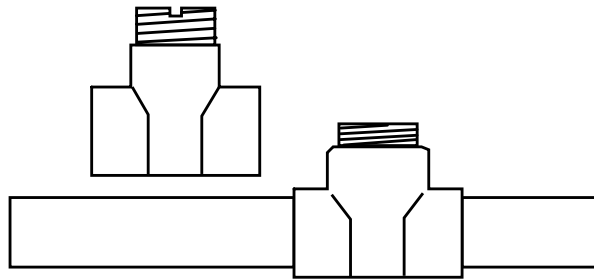
AVERAGING and SENSITIVITY

With AVERAGING at 60 seconds and SENSITIVITY set to 25%, the flow rate is stabilized, but the sudden shift in flow is reflected very quickly.



12. Calibration Data: K-factors* and Full Scale Current Values

Plastic Installation Fittings: PVC Tees and Saddles



PIPE SIZE (IN.)	FITTING TYPE	K-Factor Gallons	K-Factor Liters*	20 mA= in GPM	20 mA= in LPM
SCH 80 PVC TEES FOR SCH 80 PVC PIPE					
½	PV8T005	2289.37	604.85	13.10	49.60
¾	PV8T007	1430.41	377.92	20.97	79.38
1	PV8T010	876.86	231.67	34.21	129.50
1¼	PV8T012	447.06	118.11	67.10	253.99
1½	PV8T015	324.19	85.65	92.54	350.25
2	PV8T020	206.69	54.61	145.15	549.38
2½	PV8T025	131.46	34.73	228.20	863.74
3	PV8T030	82.52	21.80	363.55	1376.04
4	PV8T040	44.78	11.83	669.88	2535.49
SCH 80 PVC TEES FOR SCH 80 CPVC PIPE					
½	CPV8T005	2496.03	659.45	12.02	45.49
¾	CPV8T007	1381.48	364.99	21.72	82.19
1	CPV8T010	857.98	226.68	34.97	132.34
1¼	CPV8T012	445.17	117.61	67.39	255.07
1½	CPV8T015	325.56	86.01	92.15	348.78
SCH 80 PVC SADDLES FOR SCH 80 PVC PIPE					
2	PV8S020	193.83	51.21	154.77	585.81
2½	PV8S025	138.01	36.46	217.38	822.78
3	PV8S030	83.89	22.16	357.62	1353.60
4	PV8S040	40.88	10.80	733.88	2777.74
6	PV8S060	22.53	5.95	1331.85	5041.06
8	PV8S080	12.52	3.31	2395.41	9066.64
SCH 80 PVC SADDLES FOR SCH 40 PVC PIPE					
2	PV8S020	180.01	47.56	166.66	630.81
2½	PV8S025	123.72	32.69	242.49	917.82
3	PV8S030	75.81	20.03	395.71	1497.76
4	PV8S040	41.87	11.06	716.56	2712.19
6	PV8S060	19.71	5.21	1521.92	5760.46
8	PV8S080	11.73	3.10	2558.12	9682.50

*** NOTE:**

Use the K-factors PER LITER when using the 3-0232 Setup Tool.

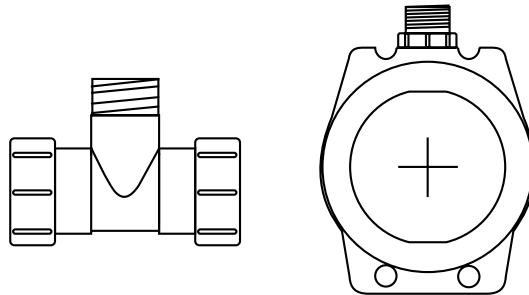
12. Calibration Data: K-factors* and Full Scale Current Values

Plastic Installation Fittings for Metric Pipes:

Polypropylene True Union Tees and Wafers

PVDF True Union Tees and Wafers

PVC True Union Tees and Wafers



PIPE SIZE (IN.)	FITTING TYPE	K-Factor Gallons	K-Factor Liters*	20 mA= in GPM	20 mA= in LPM
POLYPROPYLENE FITTINGS (DIN/ISO ,BS, ANSI)					
DN15	PPMT005	2192.73	579.32	13.68	51.78
DN20	PPMT007	1327.81	350.81	22.59	85.52
DN25	PPMT010	737.16	194.76	40.70	154.04
DN32	PPMT012	453.46	119.81	66.16	250.41
DN40	PPMT015	275.03	72.66	109.08	412.86
DN50	PPMT020	156.87	41.45	191.24	723.83
DN65	PPMT025	108.80	28.74	275.74	1043.69
DN80	PPMT030	68.50	18.10	437.94	1657.58
DN100	PPMT040	44.38	11.73	675.91	2558.33
DN125	PPMT050	32.30	8.53	928.86	3515.72
DN150	PPMT060	18.37	4.85	1633.48	6182.71
DN200	PPMT080	9.80	2.59	3062.76	11592.54
PVDF FITTINGS (DIN/ISO ,BS, ANSI)					
DN15	SFMT005	1946.49	514.26	15.41	58.34
DN20	SFMT007	1158.05	305.96	25.91	98.05
DN25	SFMT010	749.09	197.91	40.05	151.58
DN32	SFMT012	439.51	116.12	68.26	258.36
DN40	SFMT015	248.93	65.77	120.52	456.16
DN50	SFMT020	146.85	38.80	204.30	773.26
DN65	SFMT025	104.84	27.70	286.16	1083.10
DN80	SFMT030	72.01	19.02	416.64	1576.97
DN100	SFMT040	46.82	12.37	640.69	2425.00
DN125	SFMT050	31.93	8.44	939.63	3556.51
DN150	SFMT060	18.78	4.96	1597.70	6047.30
DN200	SFMT080	11.86	3.13	2529.84	9575.44
PVC FITTINGS (DIN/ISO ,BS, ANSI)					
DN15	PVMT005	2067.76	546.30	14.51	54.91
DN20	PVMT007	1136.61	300.29	26.39	99.90
DN25	PVMT010	716.52	189.31	41.87	158.47
DN32	PVMT012	446.07	117.85	67.25	254.56
DN40	PVMT015	278.83	73.67	107.59	407.23
DN50	PVMT020	159.36	42.10	188.26	712.55
DN65	PVMT025	110.11	29.09	272.46	1031.26
DN80	PVMT030	73.92	19.53	405.84	1536.12
DN100	PVMT040	47.86	12.64	626.87	2372.70
DN125	PVMT050	36.18	9.56	829.10	3138.16
DN150	PVMT060	21.56	5.70	1391.30	5266.07
DN200	PVMT080	12.81	3.38	2341.93	8864.19

* NOTE:

Use the K-factors PER LITER when using the 3-0232 Setup Tool.

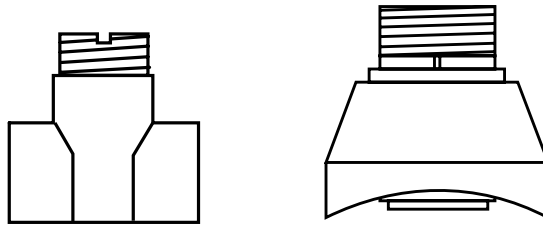
12. Calibration Data: K-factors* and Full Scale Current Values

Metal Installation Fittings:

Carbon Steel Tees and Weld-o-Lets

Stainless Steel Tees and Weld-o-Lets

Galvanized Iron Tees



PIPE SIZE (IN.)	FITTING TYPE	K-Factor Gallons	K-Factor Liters*	20 mA= in GPM	20 mA= in LPM
CARBON STEEL TEES ON SCH 40 PIPE					
1/2	CS4T005	1572.66	415.50	19.08	72.20
3/4	CS4T007	1086.73	287.11	27.61	104.49
1	CS4T010	582.34	153.86	51.52	194.99
1 1/4	CS4T012	377.48	99.73	79.48	300.81
1 1/2	CS4T015	267.79	70.75	112.03	424.02
2	CS4T020	167.85	44.35	178.73	676.48
STAINLESS STEEL TEES ON SCH 40 PIPE					
1/2	CR4T005	1601.26	423.05	18.74	70.91
3/4	CR4T007	937.78	247.76	31.99	121.08
1	CR4T010	606.18	160.15	49.49	187.32
1 1/4	CR4T012	279.68	73.89	107.26	405.99
1 1/2	CR4T015	147.65	39.01	203.19	769.06
2	CR4T020	111.90	29.56	268.09	1014.73
STAINLESS STEEL WELDOLETS ON SCH 40 PIPE					
2 1/2	CR4W025	106.31	28.09	282.19	1068.10
3	CR4W030	72.27	19.09	415.12	1571.25
4	CR4W040	36.84	9.73	814.34	3082.28
4	CR4W050	29.28	7.73	1024.70	3878.50
4	CR4W060	20.29	5.36	1478.26	5595.21
8	CR4W080	11.73	3.10	2557.72	9680.96
CARBON STEEL WELDOLETS ON SCH 40 PIPE					
2 1/2	CS4W025	105.70	27.93	283.82	1074.27
3	CS4W030	70.68	18.67	424.45	1606.56
4	CS4W040	36.38	9.61	824.65	3121.30
4	CS4W050	29.28	7.73	1024.70	3878.50
6	CS4W060	20.29	5.36	1478.26	5595.21
8	CS4W080	11.73	3.10	2557.72	9680.96
GALVANIZED IRON TEES ON SCH 40 PIPE					
1	IR4T010	558.50	147.56	53.71	203.31
1 1/4	IR4T012	334.45	88.36	89.70	339.51
1 1/2	IR4T015	248.97	65.78	120.49	456.07
2	IR4T020	146.00	38.57	205.48	777.76

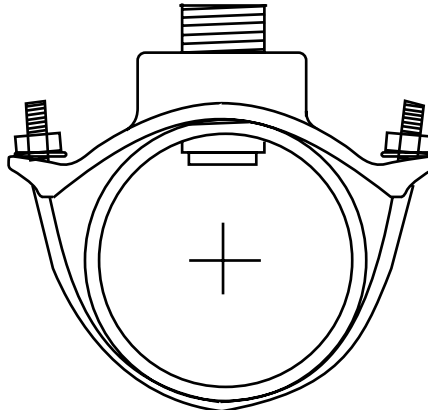
* NOTE:

Use the K-factors PER LITER when using the 3-0232 Setup Tool.

12. Calibration Data: K-factors* and Full Scale Current Values

Metal Installation Fittings

Iron Saddles



PIPE SIZE (IN.)	FITTING TYPE	K-Factor Gallons	K-Factor Liters*	20 mA= in GPM	20 mA= in LPM
SCH 80 IRON SADDLE ON SCH 80 PIPE					
2	IR8S020	194.85	51.48	153.96	582.75
2½	IR8S025	142.28	37.59	210.86	798.10
3	IR8S030	87.53	23.13	342.72	1297.20
4	IR8S040	40.62	10.73	738.58	2795.54
5	IR8S050	29.28	7.74	1024.43	3877.48
6	IR8S060	22.30	5.89	1345.58	5093.03
8	IR8S080	12.52	3.31	2395.41	9066.64
SCH 80 IRON SADDLE ON SCH 40 PIPE					
2	IR8S020	185.35	48.97	161.85	612.61
2½	IR8S025	127.47	33.68	235.36	890.83
3	IR8S030	76.62	20.24	391.54	1481.99
4	IR8S040	40.23	10.63	745.72	2822.57
5	IR8S050	27.32	7.22	1098.24	4156.83
6	IR8S060	19.71	5.21	1521.92	5760.46
8	IR8S080	11.61	3.07	2584.23	9781.30

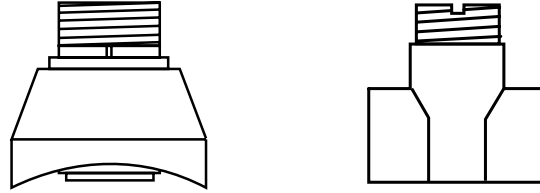
*** NOTE:**

Use the K-factors PER LITER when using the 3-0232 Setup Tool.

12. Calibration Data: K-factors* and Full Scale Current Values

Metal Installation Fittings:

Bronze and Copper Tees and Brazolets



PIPE SIZE (IN.)	FITTING TYPE	K-Factor Gallons	K-Factor Liters*	20 mA= in GPM	20 mA= in LPM
BRONZE TEES ON SCH 40 PIPE					
1	BR4T010	582.34	153.86	51.52	194.99
1¼	BR4T012	330.54	87.33	90.76	343.53
1½	BR4T015	254.76	67.31	117.76	445.71
2	BR4T020	157.36	41.58	190.64	721.58
COPPER TEES FITTING ON COPPER PIPE SCH K					
½	CUKT005	2459.19	649.72	12.20	46.17
¾	CUKT007	1108.02	292.74	27.08	102.48
1	CUKT010	649.87	171.70	46.16	174.73
1¼	CUKT012	422.03	111.50	71.09	269.06
1½	CUKT015	281.43	74.35	106.60	403.47
2	CUKT020	136.02	35.94	220.55	834.78
COPPER TEES FITTING ON COPPER PIPE SCH L					
½	CUKT005	2406.30	635.75	12.47	47.19
¾	CUKT007	1174.77	310.37	25.54	96.66
1	CUKT010	672.28	177.62	44.62	168.90
1¼	CUKT012	402.84	106.43	74.47	281.87
1½	CUKT015	294.99	77.94	101.70	384.92
2	CUKT020	149.63	39.53	200.50	758.89
COPPER/BRONZE BRAZOLET ON SCH 40 PIPE					
2½	BR4B025	117.31	30.99	255.74	967.96
3	BR4B030	78.62	20.77	381.58	1444.28
4	BR4B040	45.13	11.92	664.77	2516.15

*** NOTE:**

Use the K-factors PER LITER when using the 3-0232 Setup Tool.

13. Maintenance

The 2551 Magmeter requires very little maintenance. There are no user-serviceable components in the Magmeter.

- If the fluid contains deposits and solids that may coat the electrodes, a regular cleaning schedule is recommended.
- Do not use abrasive materials on the metal electrodes. Clean with soft cloth and mild detergent only.
- Use a cotton swab and mild detergent to remove deposits on the metal electrodes at the tip of the sensor.

13.1. Environmental Recommendations:

- When used properly, this product presents no inherent danger to the environment.
- Please follow local ordinance when disposing of this or any product with electronic components.

13.2 Troubleshooting

Symptom	Possible Cause	Possible Solution
<ul style="list-style-type: none"> • Frequency, Digital or Current output is erratic. 	<ul style="list-style-type: none"> • Magmeter installed too close to upstream obstruction. • Magmeter electrodes are coated with solids. • Magmeter electrodes exposed to air bubbles/pockets. • Electrical noise is interfering with the measurement. • New sensor, metal surface not properly conditioned. 	<ul style="list-style-type: none"> • Move the Magmeter upstream at least 10 pipe diameters from obstruction. • Clean the electrodes with soft cloth. Do not use abrasives. • Eliminate air bubbles in the pipe. • Remove the Magmeter and reinstall with the flow direction arrow on the sensor body pointed DOWNSTREAM. • Modify grounding as required to protect the Magmeter from interference. • Soak sensor overnight in fluid.
<ul style="list-style-type: none"> • Output is not 0 when flow is stopped. 	<ul style="list-style-type: none"> • Electrode not adequately conditioned. • Pipe is empty, Magmeter is not in fluid. • Electrical noise is interfering with the measurement. • Defective Magmeter 	<ul style="list-style-type: none"> • Soak sensor overnight in fluid. • Configure pipe so electrodes are always in fluid. • Modify grounding as required to protect the Magmeter from interference. • Set low flow cutoff higher. • Return to factory for service.
<ul style="list-style-type: none"> • 4-20 mA output is incorrect. 	<ul style="list-style-type: none"> • 4-20 mA is not scaled same as Loop device. • Loop device is not scaled same as Magmeter. • Range Jumper not placed correctly. • Defective Magmeter 	<ul style="list-style-type: none"> • Use 3-0232 Span and Setup tool to set output range. • Respan Loop device to match Magmeter. • Set Range Jumper correctly. • Return to factory for service.
<ul style="list-style-type: none"> • Frequency output is inoperative • Digital (S³L) output is inoperative. • Loop output is inoperative. 	<ul style="list-style-type: none"> • 2551 is wrong model. • Blue jumper not in correct position. • Wiring is not correct. • Frequency input to other manufacturer's flow instrument does not have pull-up resistor. 	<ul style="list-style-type: none"> • Frequency model is 3-2551-11. • Place blue jumper correctly. (Sec. 5 pg. 9) • Check wiring, make corrections. • Install 10kΩ resistor. Section 8.1, pg. 6)
<ul style="list-style-type: none"> • Output is 22.1 mA. 	<ul style="list-style-type: none"> • Conductivity is less than 20 μS/cm. • Electronic component failure. 	<ul style="list-style-type: none"> • Unsuitable application for Magmeter. • Return to factory for service.

- For technical support in No. and So. America call toll free: 800.854.4090 or email technical@us.piping.georgefischer.com
- For technical support in other areas, contact the local Georg Fischer Sales Company or email info@gfsigned.com

Ordering Information

Frequency or Serial (S³L) output Magmeters

3-2551-P0-11	159 001 105	PP/316L SS, ½ to 4 in. pipe, Freq. or S ³ L output
3-2551-P1-11	159 001 106	PP/316L SS, 5 to 8 in. pipe, Freq. or S ³ L output
3-2551-W0-11	159 001 230	PVDF/316L SS, ½ to 4 in. pipe, Freq. or S ³ L output
3-2551-W1-11	159 001 232	PVDF/316L SS, 5 to 8 in. pipe, Freq. or S ³ L output

4-20 mA Loop output Magmeters

3-2551-P0-12	159 001 110	PP/316L SS, ½ to 4 in. pipe, 4-20 mA output
3-2551-P1-12	159 001 111	PP/316L SS, 5 to 8 in. pipe, 4-20 mA output
3-2551-W0-12	159 001 231	PVDF/316L SS, ½ to 4 in. pipe, 4-20 mA output
3-2551-W1-12	159 001 233	PVDF/316L SS, 5 to 8 in. pipe, 4-20 mA output

Replacement Parts and Accessories

Replacement Transducers

3-2551-P0	159 001 211	PP/316L SS, ½ to 4 in. pipe,
3-2551-P1	159 001 212	PP/316L SS, 5 to 8 in. pipe
3-2551-W0	159 001 234	PVDF/316L SS, ½ to 4 in. pipe
3-2551-W1	159 001 235	PVDF/316L SS, 5 to 8 in. pipe

Replacement Electronics modules

3-2551-11	159 001 215	Magmeter Electronics, Freq. or S ³ L output
3-2551-12	159 001 216	Magmeter Electronics, 4-20 mA output
3-0232	159 000 865	i-Go S ³ L to RS232 Converter and Setup Tool

Miscellaneous

1220-0021	198 801 186	O-ring, FPM (Viton®)
1224-0021	198 820 006	O-ring, EPDM
1228-0021	198 820 007	O-ring, FFPM (Kalrez®)
7300-7524	159 000 687	24 VDC Power Supply 7.5 W, 300 mA
7300-1524	159 000 688	24 VDC Power Supply 15 W, 600 mA
7300-3024	159 000 689	24 VDC Power Supply 30 W, 1.3 A
7300-5024	159 000 690	24 VDC Power Supply 50 W, 2.1 A
7300-1024	159 000 691	24 VDC Power Supply 100 W, 4.2 A



For sales and technical support in No. and So. America
call toll free: 800.854.4090 or
email technical@us.piping.georgefischer.com

For sales and technical support in Europe, Asia or
Africa contact the local Georg Fischer Sales Company
or email info@gfsignet.com
Visit us online at www.gfsignet.com.



Georg Fischer Signet Inc., 3401 Aerojet Avenue, El Monte, CA 91731-2882 U.S.A. • Tel. (626) 571-2770 • Fax (626) 573-2057
For Worldwide Sales and Service, visit our website: www.gfsignet.com • Or call (in the U.S.): (800) 854-4090

