

Hydrostatic Pressure Type Level Transmitter

Model : SPL



Ordering Information

■ Hydrostatic Pressure Type Level Transmitter

SPL 1 A 1 A 1 A 10

CABLE EXTENSION
()M Per 1m

CONDUIT CONNECTION

A = None. (Std.)
 B = PF 3/4"
 C = PT 3/4"
 D = PF 1/2"
 E = PT 1/2"
 F = NPT1/2"
 G = NPT3/4"
 OP= etc.

WEIGHT & SINKER

1 = None. (Std.)
 2 = 304SS Weight only
 3 = 304SS Weight & Sinker

TYPE OF WIRING

A = 2 Wire (Std.)

MEASURING RANGE (Side Mount : Consult office)

1 = 0 ~ 5m
 2 = 0 ~ 10m
 3 = 0 ~ 15m
 4 = 0 ~ 20m
 5 = 0 ~ 25m
 6 = 0 ~ 30m

MOUNTING SIZE & JUNCTION BOX

A = None.
 B = JIS 10K 50A FF Flange (Std.)
 C = JIS 10K 65A FF Flange
 D = JIS 10K 80A 6t FF Flange
 E = JIS 10K 100A 6t FF Flange
 OP = etc.

OUTPUT SIGNAL

1. 4~20mA / 2-wire (Std.)

■ General cable length : Measuring range + 2m only

■ When placing an order, selected ordering number should be indicated on the purchase order sheet.



14, Dunchon-daero 457beon-gil, Junwon-gu
 Seongnam-si, Gyeonggi-do, Korea[Zip.13218]

☎ +82-31-627-9000 📠 +82-31-624-5345

<http://www.seojin.biz>

2019 Edition Rev.0 (printed by Daoom)

■ Specifications subject to change without notice

Hydrostatic Pressure Type Level Transmitter

(Local Indicating)

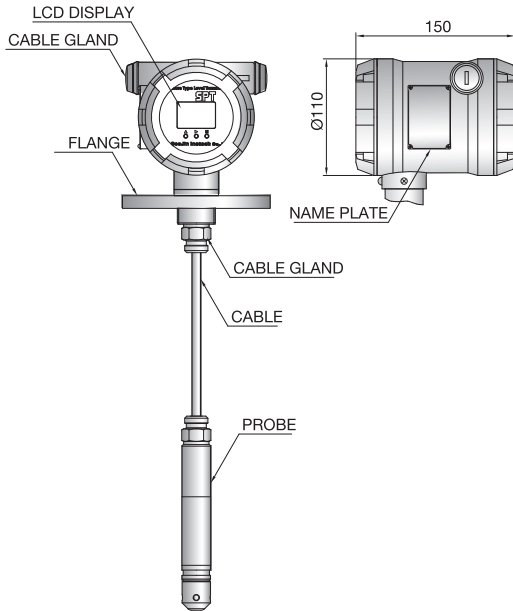
Model : SPT



SPT

Hydrostatic Pressure Type Level Transmitter

Structure



Introduction

SPT series micro-processor based digital level pressure transmitter is an ideal for applications that require for continuous level measurement of liquids and pastes in chemical, pharmaceutical and foodstuffs industries as well as in water and waste water treatment.

Features

- Micro-processor based digital level measurement
- Measuring ranges from 0.1 to 35bar
- Current output 4~20mA, 2-wire system
- Low cost
- Excellent accuracy and long term stability
- Enclosure IP68 of wetted part
- 5 digit LCD with backlight
- Convertible dual display unit
- Range turn down max. 50% of calibrated span
- Poly-urethane extension cable built-in vent tube

Operating Principle

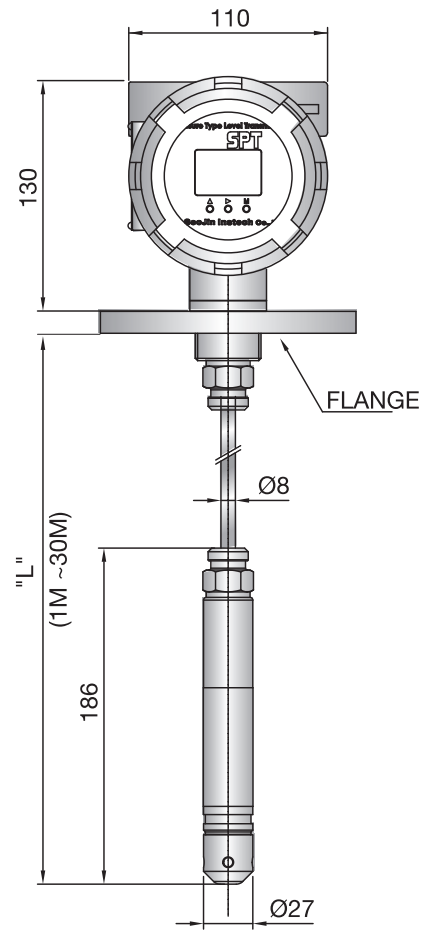
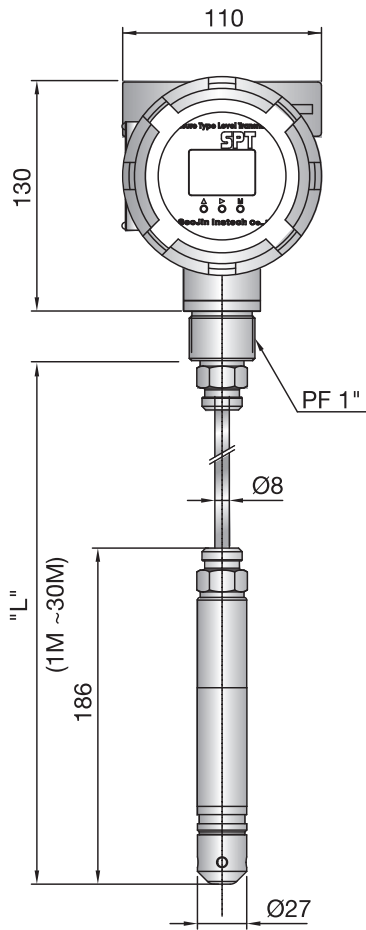
The sensing part of SPT should be located at the bottom of the tanks, because the depth or level can be generated by pressure of measuring liquids. The sensing element is a piezo-resistive pressure sensor. The pressure (liquid level) to be measured acts through thin corrosion resistant stainless steel 316LSS diaphragm on a silicon measuring element. The pressure transmitting medium is silicon oil. The measuring element contains diffused piezo-resistive resistors which are connected into a Wheatstone bridge. The output signal of this bridge is temperature compensated and converted into a standardized current output signal.

Specifications

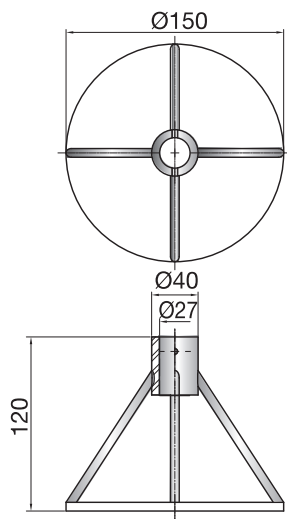
DESCRIPTION	Type	Top Mount
Application		Liquid
Power Supply		Nominal 24V DC
Output Signal		4~20mA / 2-wire (Std.) 4~20mA / 4-wire (2xSPDT Relay Output/OP)
Delay Time		1 ~ 9.9sec
Power & Load		12.6 ~ 36V DC (No load) Load[KΩ]=(Vin[V] - 12.6 [V])/22.6[mA]
Accuracy		Linearity 0.2% FS Hysteresis & repeatability 0.2% FS Linearity 0.2% FS
Display		SPT : 5 Digit LCD, SPL : No Display
Temp. Effects		0~50°C (Compensated Temp. Range)
Measuring Range	0 ~ 30m	0.1 ~ 30 bar
Ambient Temp.		0 ~ +60°C Max.
Operating Temp.		-20 ~ +70°C Max.
Material	Body	ADC (IP 65)
	Probe	316LSS

Overall Dimensions

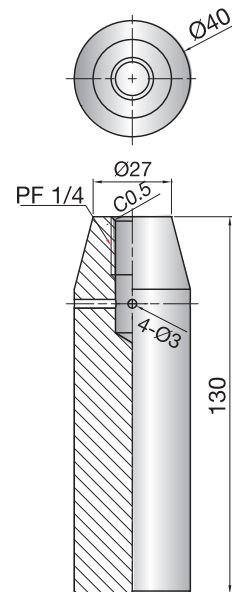
Top Mount



Sinker (Std)

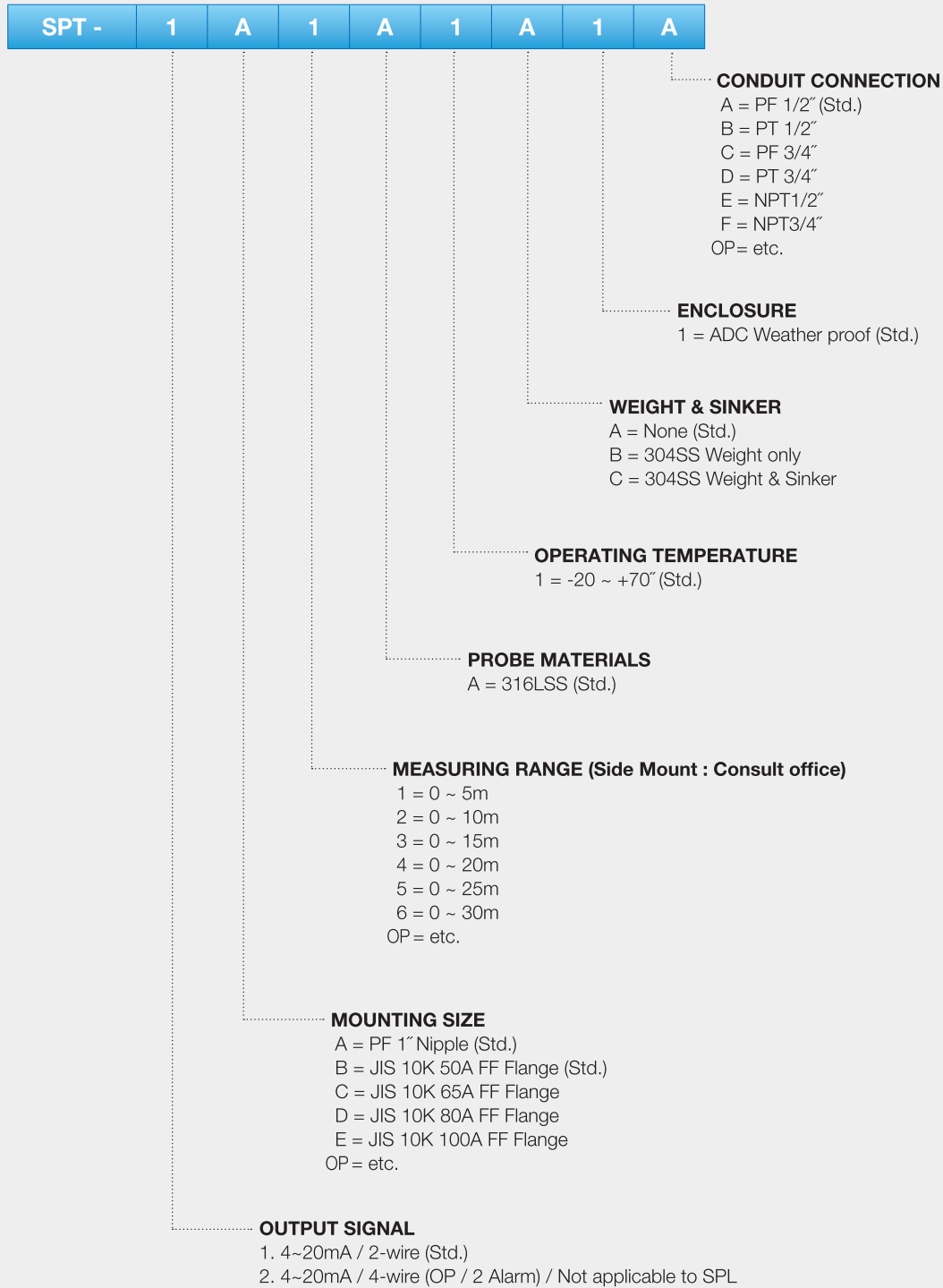


Weight (Std)



Ordering Information

■ Hydrostatic Pressure Type Level Transmitter (Local Indicating)



■ When placing an order, selected ordering number should be indicated on the purchase order sheet.



14, Dunchon-daero 457beon-gil, Junwon-gu
Seongnam-si, Gyeonggi-do, Korea[Zip.13218]

+82-31-627-9000 +82-31-624-5345

<http://www.seojin.biz>

2019 Edition Rev.0 (printed by Daoom)

■ Specifications subject to change without notice