



Tilt Level Switch

Model : STT



SeoJin Instech Co., Ltd.

www.seojin.biz



Features

Tilt switches are specially designed to use for HighAlarm of various silo contained solid material. Recently these switches are used to monitoring the flow of conveyor or by using the float, high alarm of liquid tank can be taken.

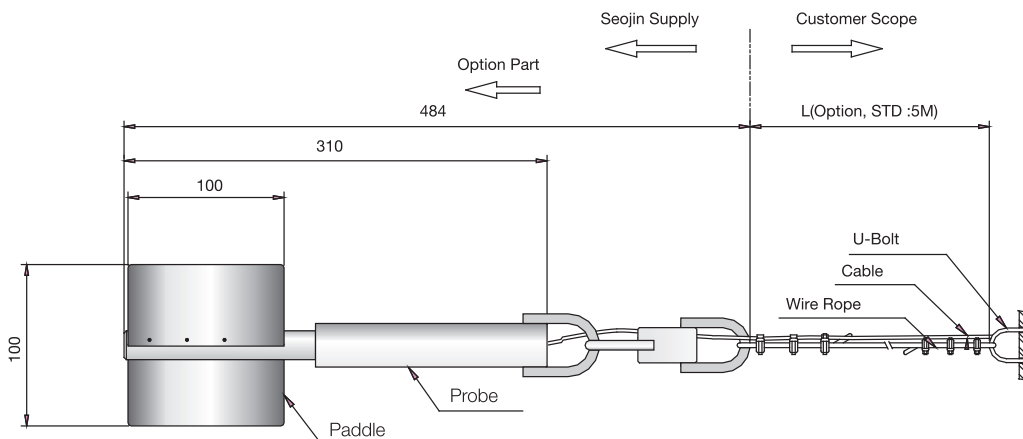
- Low cost
- Reliable operation
- Easy Installation

Specifications

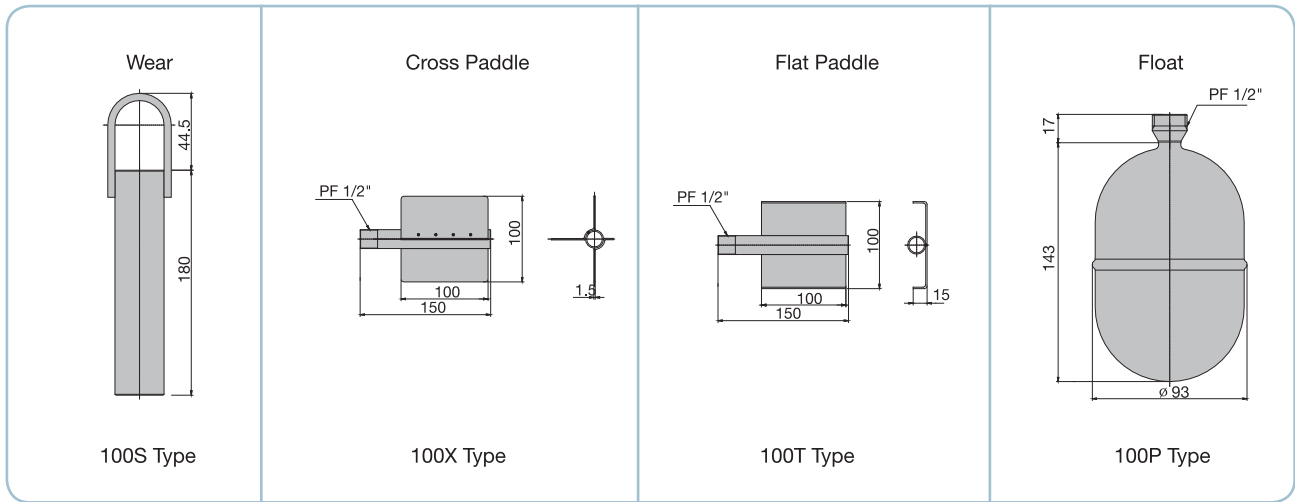
Model		STT
Contact Angle		20±1°
Operating Temp.		Max. 100°C
Contact Capacity		120V AC 1A
Cable Gland		PF 1/2" (15A)
Cable		VCT 0.75 SQ ×2 C, Ø8, STD length 5m
Wire Rope		Ø3.2 304SS, STD length 5m
Tensile Load		Max. 1800kgf
Gross Weight		Approx 6kg (Without paddle)
Material	Probe	304SS
	Extension Paddle	304SS
	Wire Rope	304SS

Overall Dimensions

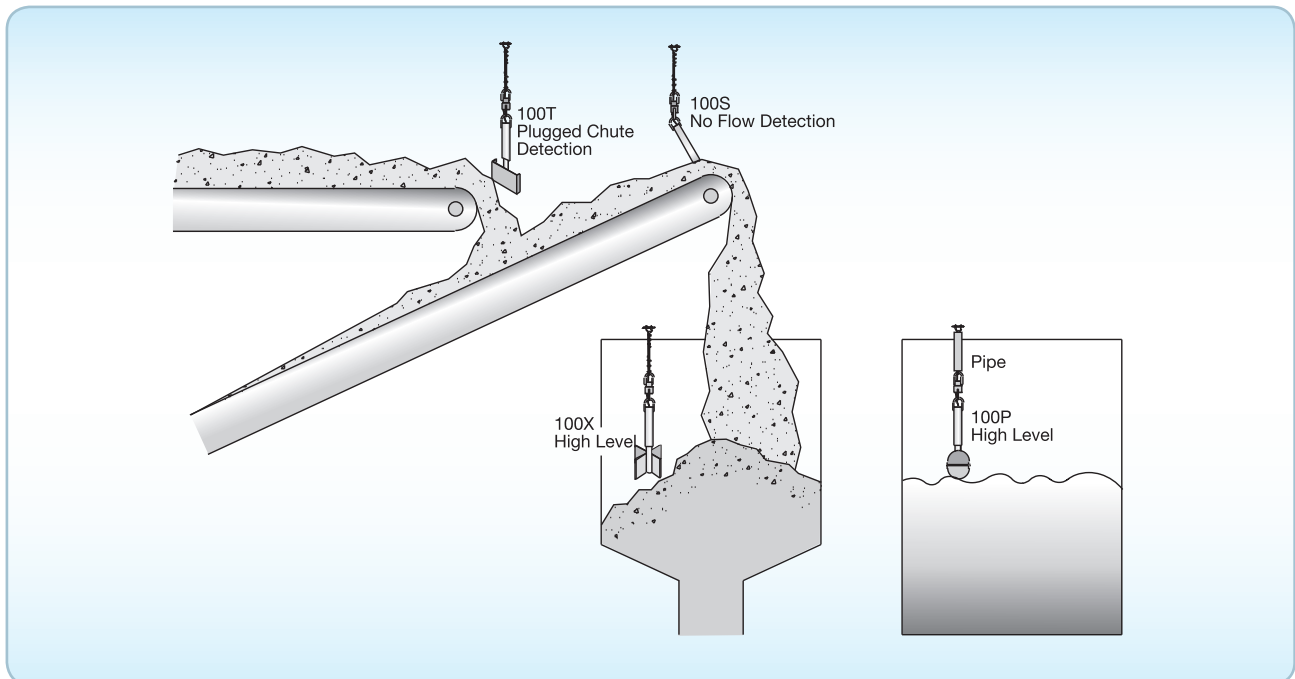
► Housing



► Paddle



► Example of general purpose application



Ordering Information

■ Tilt Level Switch

STT - S 1 A 1 A 1 A

CONDUIT CONNECTION

A = None.
 B = PF 1/2"
 C = PT 1/2"
 D = PF 3/4"
 E = NPT1/2"
 F = NPT3/4"
 OP = etc.

ACCESSORY (Clip, Eye-Bolt, U-Bolt, Wire)

1 = None (Std.)
 2 = Ass'y (5m)
 3 = Ass'y (10m)

HOUSING

A = None (Std.)
 B = ABS-Head Weather Proof
 C = ADC Head Weather Proof

MOUNTING SIZE

1 = None (Std.)
 2 = PF 2" ABS Head
 3 = JIS 10K 80 A FF HDPE Flange
 4 = JIS 10K 100A FF HDPE Flange
 5 = JIS 10K 80A 6T 304SS FF Flange
 6 = JIS 10K 100A 6T 304SS FF Flange
 OP = etc.

MEASURING PARTS LENGTH (Cable)

A = 0 ~ 5 M (Std.)
 B = 0 ~ 10M
 OP = etc.

DETECTION PARTS MATERIAL

1 = 304SS
 2 = 316LSS

TYPE OF SWITCH

S = Wear Pipe Body Only (Std.) Non Paddle
 X = Cross Paddle 304SS
 T = Flat Paddle 304SS
 P = Float 304SS

■ When placing an order, selected ordering number should be indicated on the purchase order sheet.

 **SeoJin Instech Co., Ltd.**

14, Dunchon-daero 457beon-gil, Junwon-gu
 Seongnam-si, Gyeonggi-do, Korea[Zip.13218]

☎ +82-31-627-9000 🏠 +82-31-624-5345

<http://www.seojin.biz>

2018 Edition Rev.0 (printed by Daoom)

■ Specifications subject to change without notice