

Nidec

All for dreams



上海
绿创



CONTROL
TECHNIQUES



上海北CT—威化规范及全国销售服务中心，联系电话：021-51093390



User Guide

SI-Ethernet and Unidrive M - Onboard Ethernet

Part Number: 0478-0137-04
Issue: 4

CONTROL TECHNIQUES™

Original Instructions

For the purposes of compliance with the EU Machinery Directive 2006/42/EC, the English version of this manual is the Original Instructions. Manuals in other languages are Translations of the Original Instructions.

Documentation

Manuals are available to download from the following locations: <http://www.drive-setup.com/ctdownloads>

The information contained in this manual is believed to be correct at the time of printing and does not form part of any contract. The manufacturer reserves the right to change the specification of the product and its performance, and the contents of the manual, without notice.

Warranty and Liability

In no event and under no circumstances shall the manufacturer be liable for damages and failures due to misuse, abuse, improper installation, or abnormal conditions of temperature, dust, or corrosion, or failures due to operation outside the published ratings. The manufacturer is not liable for consequential and incidental damages. Contact the supplier of the drive for full details of the warranty terms.

Environmental policy

Control Techniques Ltd operates an Environmental Management System (EMS) that conforms to the International Standard ISO 14001.

Further information on our Environmental Policy can be found at: <http://www.drive-setup.com/environment>

Restriction of Hazardous Substances (RoHS)

The products covered by this manual comply with European and International regulations on the Restriction of Hazardous Substances including EU directive 2011/65/EU and the Chinese Administrative Measures for Restriction of Hazardous Substances in Electrical and Electronic Products.

Disposal and Recycling (WEEE)



When electronic products reach the end of their useful life, they must not be disposed of along with domestic waste but should be recycled by a specialist recycler of electronic equipment. Control Techniques products are designed to be easily dismantled into their major component parts for efficient recycling. The majority of materials used in the product are suitable for recycling.

Product packaging is of good quality and can be re-used. Large products are packed in wooden crates. Smaller products are packaged in strong cardboard cartons which have a high recycled fibre content. Cartons can be re-used and recycled. Polythene, used in protective film and bags for wrapping the product, can be recycled. When preparing to recycle or dispose of any product or packaging, please observe local legislation and best practice.

REACH legislation

EC Regulation 1907/2006 on the Registration, Evaluation, Authorisation and restriction of Chemicals (REACH) requires the supplier of an article to inform the recipient if it contains more than a specified proportion of any substance which is considered by the European Chemicals Agency (ECHA) to be a Substance of Very High Concern (SVHC) and is therefore listed by them as a candidate for compulsory authorisation.

Further information on our compliance with REACH can be found at: <http://www.drive-setup.com/reach>

Registered Office

Nidec Control Techniques Ltd
The Gro
Newtown
Powys
SY16 3BE
UK

Registered in England and Wales. Company Reg. No. 01236886.

Copyright

The contents of this publication are believed to be correct at the time of printing. In the interests of a commitment to a policy of continuous development and improvement, the manufacturer reserves the right to change the specification of the product or its performance, or the contents of the guide, without notice.

All rights reserved. No parts of this guide may be reproduced or transmitted in any form or by any means, electrical or mechanical including photocopying, recording or by an information storage or retrieval system, without permission in writing from the publisher.

Copyright © March 2018 Nidec Control Techniques Ltd

Contents

| | | |
|----------|--|-----------|
| 1 | Safety information | 6 |
| 1.1 | Warnings, cautions and notes | 6 |
| 1.2 | Important safety information. Hazards. Competence of designers and installers | 6 |
| 1.3 | Responsibility | 6 |
| 1.4 | Compliance with regulations | 6 |
| 1.5 | Electrical hazards | 7 |
| 1.6 | Stored electrical charge | 7 |
| 1.7 | Mechanical hazards | 7 |
| 1.8 | Access to equipment | 7 |
| 1.9 | Environmental limits | 7 |
| 1.10 | Hazardous environments | 8 |
| 1.11 | Motor | 8 |
| 1.12 | Mechanical brake control | 8 |
| 1.13 | Adjusting parameters | 8 |
| 1.14 | Electromagnetic compatibility (EMC) | 8 |
| 2 | Introduction | 9 |
| 2.1 | Products covered by this User Guide | 9 |
| 2.2 | Features | 9 |
| 2.3 | Option module identification | 10 |
| 2.4 | Factory fit Ethernet interface identification | 11 |
| 2.5 | Product conformance | 11 |
| 2.6 | Conventions used in this guide | 11 |
| 2.7 | Firmware Statement | 11 |
| 3 | Mechanical installation | 12 |
| 4 | Electrical installation | 14 |
| 4.1 | SI-Ethernet module information | 14 |
| 4.2 | Cabling considerations | 14 |
| 4.3 | Module grounding | 14 |
| 4.4 | Cable shield connections | 15 |
| 4.5 | Cable | 15 |
| 4.6 | Maximum network length | 15 |
| 4.7 | Network topology | 15 |
| 5 | Getting started | 17 |
| 5.1 | Network design considerations | 17 |
| 5.2 | Addressing | 17 |
| 5.3 | Where do IP addresses come from? | 17 |
| 5.4 | Addressing etiquette | 17 |
| 5.5 | Class types | 18 |
| 5.6 | Generating the complete address | 18 |
| 5.7 | DHCP considerations | 19 |
| 5.8 | Basic principles of routing | 20 |
| 5.9 | Set-up flow chart | 21 |
| 5.10 | Single line parameter descriptions | 22 |

| | | |
|-----------|--|------------|
| 6 | Parameters | 36 |
| 6.1 | Full parameter descriptions | 36 |
| 7 | Key features and Protocols | 135 |
| 7.1 | PC/PLC considerations | 135 |
| 7.2 | Modbus TCP/IP | 135 |
| 7.3 | RTMoE (Real Time Motion over Ethernet) | 144 |
| 7.4 | Non-cyclic data access | 153 |
| 7.5 | EtherNet/IP | 158 |
| 7.6 | Web page basics | 191 |
| 8 | PC Tools Applications | 198 |
| 8.1 | Unidrive M Connect | 198 |
| 8.2 | Machine Control Studio | 198 |
| 8.3 | CTScope | 199 |
| 8.4 | SyPTPro | 199 |
| 8.5 | CT OPC server | 200 |
| 9 | Security | 201 |
| 9.1 | Introduction | 201 |
| 9.2 | General site security issues | 201 |
| 9.3 | Default restrictions | 201 |
| 10 | Diagnostics | 202 |
| 10.1 | LED diagnostics | 202 |
| 10.2 | Drive trip display codes | 202 |
| 10.3 | Ethernet sub trip codes | 203 |
| 10.4 | Ethernet sub trip codes | 205 |
| 10.5 | Ethernet hardware fault trip codes | 205 |
| 10.6 | Diagnostic flow chart | 206 |
| 11 | Glossary of terms | 207 |

1 Safety information

1.1 Warnings, cautions and notes



A **Warning** contains information, which is essential for avoiding a safety hazard.



A **Caution** contains information, which is necessary for avoiding a risk of damage to the product or other equipment.



A **Note** contains information, which helps to ensure correct operation of the product.

1.2 Important safety information. Hazards. Competence of designers and installers

This guide applies to products which control electric motors either directly (drives) or indirectly (controllers, option modules and other auxiliary equipment and accessories). In all cases the hazards associated with powerful electrical drives are present, and all safety information relating to drives and associated equipment must be observed.

Specific warnings are given at the relevant places in this guide.

Drives and controllers are intended as components for professional incorporation into complete systems. If installed incorrectly they may present a safety hazard. The drive uses high voltages and currents, carries a high level of stored electrical energy, and is used to control equipment which can cause injury. Close attention is required to the electrical installation and the system design to avoid hazards either in normal operation or in the event of equipment malfunction. System design, installation, commissioning/start-up and maintenance must be carried out by personnel who have the necessary training and competence. They must read this safety information and this guide carefully.

1.3 Responsibility

It is the responsibility of the installer to ensure that the equipment is installed correctly with regard to all instructions given in this guide. They must give due consideration to the safety of the complete system, so as to avoid the risk of injury both in normal operation and in the event of a fault or of reasonably foreseeable misuse.

The manufacturer accepts no liability for any consequences resulting from inappropriate, negligent or incorrect installation of the equipment.

1.4 Compliance with regulations

The installer is responsible for complying with all relevant regulations, such as national wiring regulations, accident prevention regulations and electromagnetic compatibility (EMC) regulations. Particular attention must be given to the cross-sectional areas of conductors, the selection of fuses or other protection, and protective ground (earth) connections.

This guide contains instructions for achieving compliance with specific EMC standards.

All machinery to be supplied within the European Union in which this product is used must comply with the following directives:

2006/42/EC Safety of machinery.

2014/30/EU: Electromagnetic Compatibility.

1.5 Electrical hazards

The voltages used in the drive can cause severe electrical shock and/or burns, and could be lethal. Extreme care is necessary at all times when working with or adjacent to the drive. Hazardous voltage may be present in any of the following locations:

- AC and DC supply cables and connections
- Output cables and connections
- Many internal parts of the drive, and external option units

Unless otherwise indicated, control terminals are single insulated and must not be touched.

The supply must be disconnected by an approved electrical isolation device before gaining access to the electrical connections.

The STOP and Safe Torque Off functions of the drive do not isolate dangerous voltages from the output of the drive or from any external option unit.

The drive must be installed in accordance with the instructions given in this guide. Failure to observe the instructions could result in a fire hazard.

1.6 Stored electrical charge

The drive contains capacitors that remain charged to a potentially lethal voltage after the AC supply has been disconnected. If the drive has been energized, the AC supply must be isolated at least ten minutes before work may continue.

1.7 Mechanical hazards

Careful consideration must be given to the functions of the drive or controller which might result in a hazard, either through their intended behaviour or through incorrect operation due to a fault. In any application where a malfunction of the drive or its control system could lead to or allow damage, loss or injury, a risk analysis must be carried out, and where necessary, further measures taken to reduce the risk - for example, an over-speed protection device in case of failure of the speed control, or a fail-safe mechanical brake in case of loss of motor braking.

With the sole exception of the Safe Torque Off function, none of the drive functions must be used to ensure safety of personnel, i.e. they must not be used for safety-related functions.

The Safe Torque Off function may be used in a safety-related application. The system designer is responsible for ensuring that the complete system is safe and designed correctly according to the relevant safety standards.

The design of safety-related control systems must only be done by personnel with the required training and experience. The Safe Torque Off function will only ensure the safety of a machine if it is correctly incorporated into a complete safety system. The system must be subject to a risk assessment to confirm that the residual risk of an unsafe event is at an acceptable level for the application.

1.8 Access to equipment

Access must be restricted to authorized personnel only. Safety regulations which apply at the place of use must be complied with.

1.9 Environmental limits

Instructions in this guide regarding transport, storage, installation and use of the equipment must be complied with, including the specified environmental limits. This includes temperature, humidity, contamination, shock and vibration. Drives must not be subjected to excessive physical force.

1.10 Hazardous environments

The equipment must not be installed in a hazardous environment (i.e. a potentially explosive environment).

1.11 Motor

The safety of the motor under variable speed conditions must be ensured.

To avoid the risk of physical injury, do not exceed the maximum specified speed of the motor.

Low speeds may cause the motor to overheat because the cooling fan becomes less effective, causing a fire hazard. The motor should be installed with a protection thermistor. If necessary, an electric forced vent fan should be used.

The values of the motor parameters set in the drive affect the protection of the motor. The default values in the drive must not be relied upon. It is essential that the correct value is entered in the Motor Rated Current parameter.

1.12 Mechanical brake control

Any brake control functions are provided to allow well co-ordinated operation of an external brake with the drive. While both hardware and software are designed to high standards of quality and robustness, they are not intended for use as safety functions, i.e. where a fault or failure would result in a risk of injury. In any application where the incorrect operation of the brake release mechanism could result in injury, independent protection devices of proven integrity must also be incorporated.

1.13 Adjusting parameters

Some parameters have a profound effect on the operation of the drive. They must not be altered without careful consideration of the impact on the controlled system. Measures must be taken to prevent unwanted changes due to error or tampering.

1.14 Electromagnetic compatibility (EMC)

Installation instructions for a range of EMC environments are provided in the relevant Power Installation Guide. If the installation is poorly designed or other equipment does not comply with suitable standards for EMC, the product might cause or suffer from disturbance due to electromagnetic interaction with other equipment. It is the responsibility of the installer to ensure that the equipment or system into which the product is incorporated complies with the relevant EMC legislation in the place of use.

2 Introduction

2.1 Products covered by this User Guide

This User Guide covers the SI-Ethernet option module and the onboard factory installed Ethernet interface. Both the SI-Ethernet module and the onboard Ethernet interface offer the same functionality.

The onboard Ethernet interface provides Ethernet connectivity and is installed during manufacture to the following drives:

- Unidrive M700
- Unidrive M702

The SI-Ethernet is an option module that provides Ethernet connectivity and can be installed to the following drives:

- Unidrive M200 / M201 (sizes 2 to 9)
- Unidrive M300 (sizes 2 to 9)
- Unidrive M400 (sizes 2 to 9)
- Unidrive M600 (sizes 3 to 11)
- Unidrive M700 / M701 / M702 (sizes 3 to 11)

2.2 Features

The following list gives an overview of the functionality available:

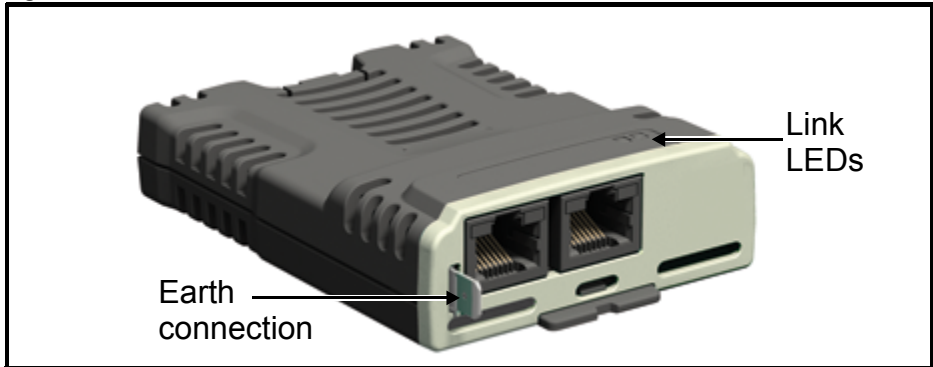
- Single RJ45 connectivity with support for shielded twisted pair.
- 100 Mbs Ethernet with auto-negotiation.
- Full and half duplex operation with auto-negotiation.
- Auto crossover detection.
- TCP/IP.
- Modbus TCP/IP.
- EtherNet/IP.
- Switch or Gateway mode.
- VLAN tagging.
- SyPTPro over Ethernet.
- Unidrive M Connect over Ethernet.
- Machine Control Studio.
- Static IP configuration or DHCP client.
- Non-cyclic data transfer with user program.
- Up to 3 transmit and 3 receive cyclic links (easy mode).
- IEEE1588 Precision Time Protocol synchronization.
- RTMoE (Real Time Motion over Ethernet).

2.2.1 Backup/auxiliary supply

Some drives provide a method of powering up the control circuits (and therefore any option module installed) if the AC supply is removed, this allows Ethernet communication to continue operating when the main AC supply is switched off.

2.3 Option module identification

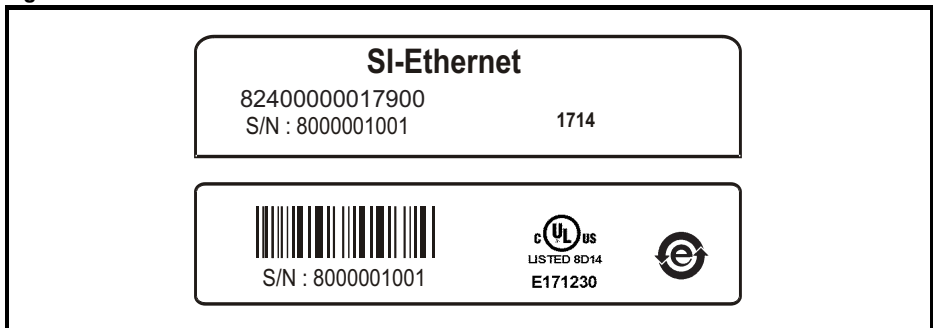
Figure 2-1 SI-Ethernet



The SI-Ethernet can be identified by:

1. The label located on the topside of the option module.
2. The color coding across the front of the option module. SI-Ethernet being beige.

Figure 2-2 SI-Ethernet label



2.3.1 Date code format

The date code is four numbers. The first two numbers indicate the year and the remaining numbers indicate the week of the year in which the drive was built.

Example:

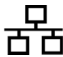
A date code of 1710 would correspond to week 10 of year 2017.

2.4 Factory fit Ethernet interface identification

As standard, the *Unidrive M700* and *Unidrive M702* variants are fitted with an Ethernet interface and the *Unidrive M701* is fitted with the EIA-485 serial communications interface.

Care must be taken to ensure the correct interface is fitted before a connection is made to the drive, failure to ensure this may result in damage to the interface and/or communication device.

The Ethernet and EIA 485 interfaces are similar in appearance but the differences are:

- The Ethernet interface will have the Ethernet communication logo  on the front of the panel with the appropriate port number below it. It also has a LED located below each connector.
- The EIA 485 port just has the number "485" printed alongside it.

2.5 Product conformance

The Ethernet interface complies with IEEE 802.3 and meets the isolation requirements of safety standard EN50178:1998.

2.6 Conventions used in this guide

The configuration of the host drive and option module is done using menus and parameters. A menu is a logical collection of parameters that have similar functionality.

In the case of an option module, the option module set-up parameters in menu 0 will appear in drive menu 15, 16 or 17 depending on which slot the module is installed in. In the case of the onboard Ethernet interface, the set-up parameters in menu 0 will appear in drive menu 24.

The setting of the Option Slot Identifiers (Pr **11.056**) may change the slot numbering from those described above. The internal menus of the option module or onboard Ethernet interface will appear before menu 0 and after menu 41.

NOTE For Unidrive M200, M300 and M400 drives, the option module set-up parameters will appear in menu 15.

The method used to determine the menu or parameter is as follows:

- Pr **S.mm.ppp** - Where **S** signifies the option module slot number and **mm.ppp** signifies the menu and parameter number respectively.
If the option module slot number is not specified then the parameter reference will be a drive parameter.
- Pr **MM.ppp** - Where **MM** signifies the menu allocated to the option module setup menu and **ppp** signifies the parameter number within the set-up menu.
- Pr **mm.000** - Signifies parameter number 000 in any drive menu.

2.7 Firmware Statement

This product is supplied with the latest firmware version. When retro-fitting to an existing system, all firmware versions should be verified to confirm the same functionality as products of the same type already present. This also applies to products returned from a Nidec Industrial Automation's Service Centre or Repair Centre. If there is any doubt please contact the supplier of the product.

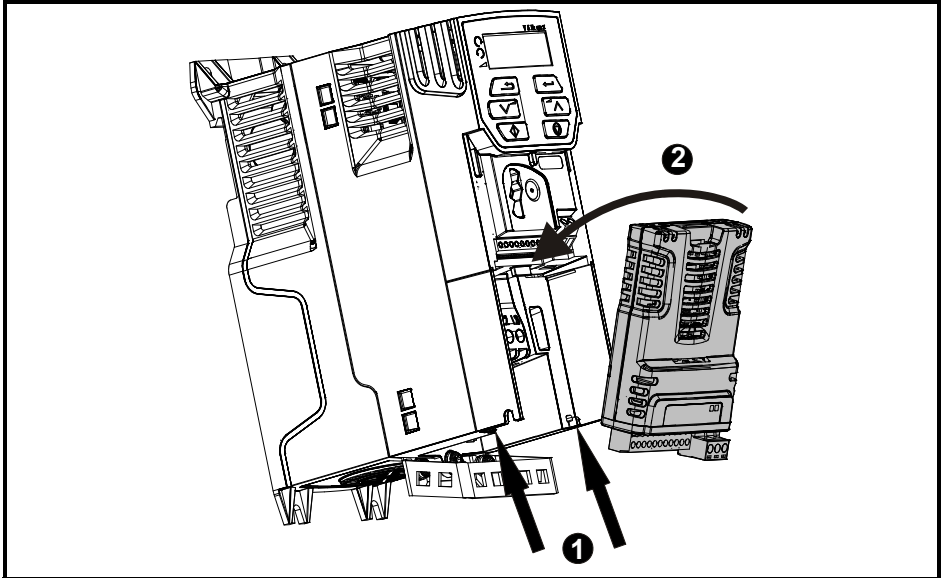
The firmware version of the product can be identified by looking at Pr **MM.002** where **MM** is the relevant menu number for the module slot being used.

3 Mechanical installation



Before installing or removing an option module from any drive, ensure the AC supply has been disconnected for at least 10 minutes and refer to Chapter 1 *Safety information* on page 6. If using a DC bus supply ensure this is fully discharged before working on any drive or option module.

Figure 3-1 Installation of an SI option module on Unidrive M200 to M400 (sizes 2 to 4)

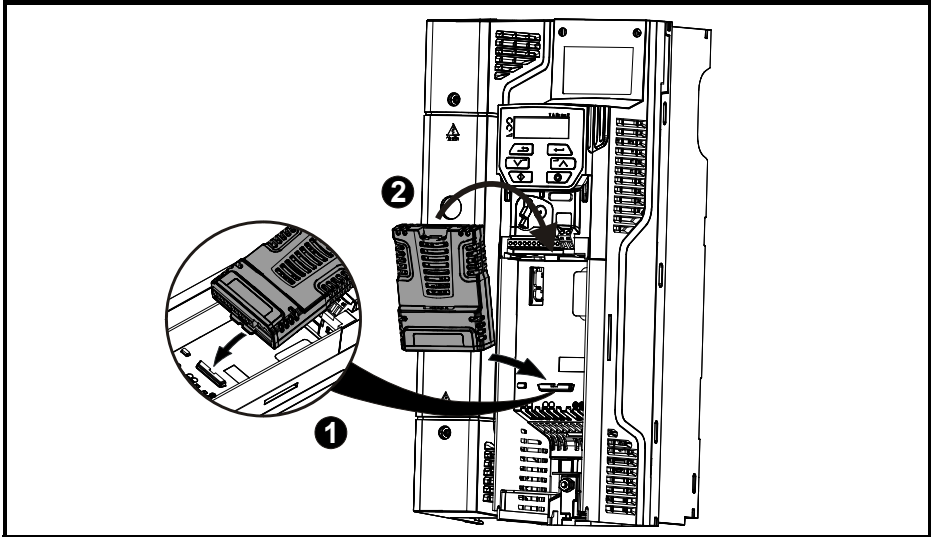


- With the option module tilted slightly backwards, align and locate the two holes in the rear of the option module onto the two tabs (1) on the drive.
- Place the option module onto the drive as shown in (2) until the module clicks into place. The terminal cover on the drive holds the option module in place, so this must be put back on.

NOTE Option modules can only be installed on drives that have the option module slot functionality.

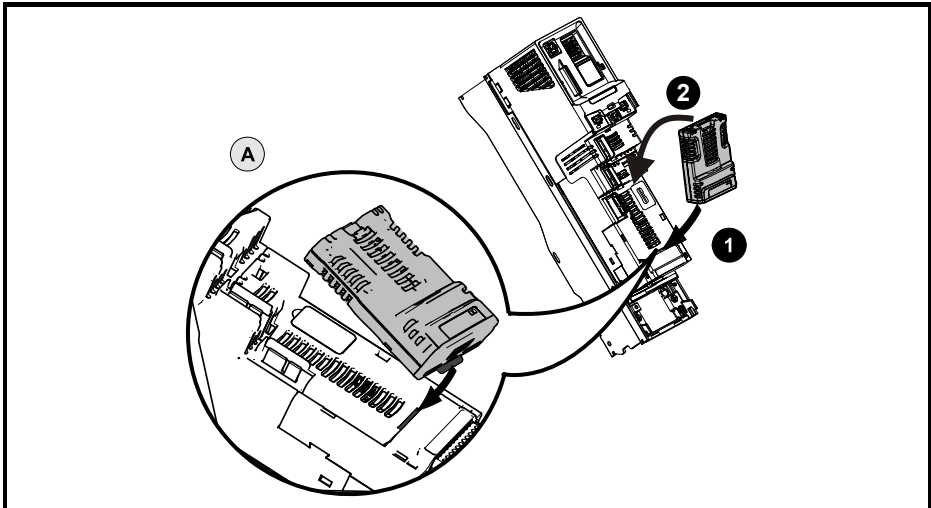
NOTE Figure 3-1 above is for illustration only, the actual option module may be different to the one shown.

Figure 3-2 Installation of an SI option module on Unidrive M200 to M400 (sizes 5 to 9)



- Place the option module onto the drive as shown in (2) until the module clicks into place. The terminal cover on the drive holds the option module in place, so this must be put back on.

Figure 3-3 Installation of an SI option module on Unidrive M600 to M702



- Move the option module in direction shown (1/2).
- Align and insert the option module tab in to the slot provided, this is highlighted in the detailed view (A).
- Press down on the option module until it clicks into place.

NOTE Option module slots must be used in the following order: Slot 3 (lower), Slot 2 (middle) and then Slot 1(upper).

4 Electrical installation

4.1 SI-Ethernet module information

SI-Ethernet provides two standard RJ45 UTP/STP (*Un-shielded/Shielded Twisted Pair*) connections to a 100 Mbs Ethernet system. In addition to the RJ45 connectors, a grounding tag is supplied for supplementary bonding. SI-Ethernet provides 2 diagnostic LEDs for status and information purposes located on the module topside.

Figure 4-1 SI-Ethernet

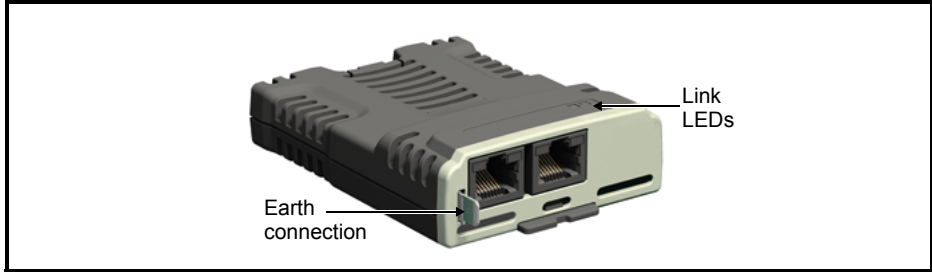


Figure 4-1 shows an overview of the module connections and indicators.

Figure 4-2 Ethernet connections

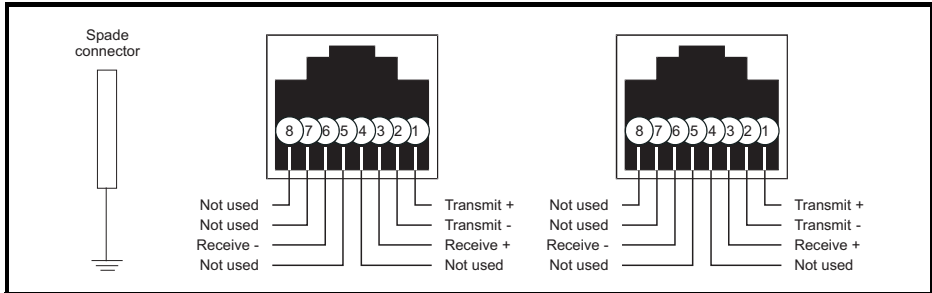


Figure 4-2 shows the electrical connections of the RJ45 connector.

NOTE On the onboard Ethernet interface, pin1 is located on the left but on the SI-Ethernet module pin 1 is located on the right (as shown).

4.2 Cabling considerations

To ensure long-term reliability it is recommended that any cables used to connect a system together are tested using a suitable Ethernet cable tester, this is of particular importance when cables are constructed on site.

Any isolated signal circuit has the capability to become live through accidental contact with other conductors; as such they should always be double-insulated from live parts. The routing of network and signal wires should be done so as to avoid close proximity to mains voltage cabling.

4.3 Module grounding

SI-Ethernet is supplied with a grounding tag on the module that should be connected to the closest possible grounding point using the minimum length of cable. This will greatly improve the noise immunity of the module.

4.4 Cable shield connections

Standard Ethernet UTP or STP cables do not require supplementary grounding.

4.5 Cable

It is recommended that a minimum specification of CAT5e is installed on new installations, as this gives a good cost/performance ratio. If you are using existing cabling, this may limit the maximum data rate depending on the cable ratings. In noisy environments, the use of STP or fiber optic cable will offer additional noise immunity.

NOTE Cabling issues are the single biggest cause of network down-time. Ensure cabling is correctly routed, wiring is correct, connectors are correctly installed and any switches or routers used are rated for industrial use. Office grade Ethernet equipment does not generally offer the same degree of noise immunity as equipment intended for industrial use.

4.6 Maximum network length

The main restriction imposed on Ethernet cabling is the length of a single segment of cable as detailed in Table 4-1. If distances greater than this are required it may be possible to extend the network with additional switches or by using a fiber optic converter.

Table 4-1 Ethernet maximum network lengths

| Type Of Cable | Data rate (bit/s) | Maximum trunk length (m) |
|---------------------------|-------------------|--------------------------|
| Copper - UTP/STP CAT 5 | 100 M | 100 |
| Fiber Optic - Multi-mode | | 3000 |
| Fiber Optic - Single-mode | | up to 100000 |

NOTE The distances specified are absolute recommended maximums for reliable transmission of data. The distances for the fiber optic sections will be dependent on the equipment used on the network. The use of wireless networking products is not recommended for control systems, as performance may be affected by many external influences.

4.7 Network topology

The SI-Ethernet option module and onboard Ethernet interface support multiple network topologies this allows the user to design a robust network using the topology that works best for the chosen design.

Star topology:

- Enables individual devices to be swapped out
- Minimise message transmission delays

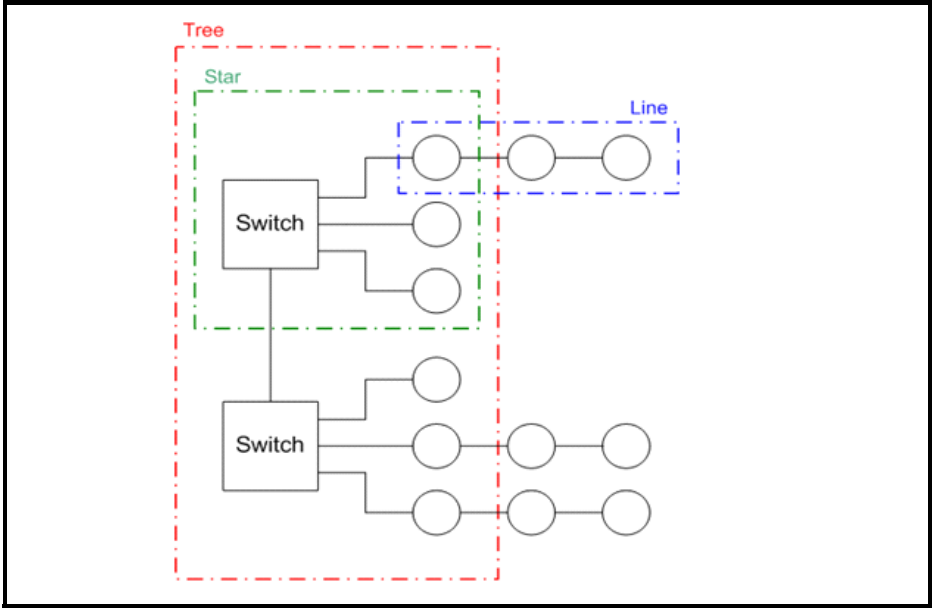
Line topology (daisy chain):

- Simple wiring
- Lowest cost

Tree topology:

- Maximises bandwidth - contains messages within appropriate segments
- Products can be connected in functional groups, e.g. to enable one section of a machine to be turned off

Figure 4-3 Typical network topologies



5 Getting started

5.1 Network design considerations

Ethernet is an open system allowing many different vendors to design and supply equipment. When designing an industrial network you must carefully consider the topology and data traffic on the network to avoid potential problems.

To avoid bandwidth issues it is recommended that the control network is logically separate from any other network. Where possible a physically separate network should be used. If this is not possible, the use of managed network devices should be considered to prevent unnecessary traffic such as broadcasts reaching the control network.

NOTE The use of un-switched hubs is not supported.

5.2 Addressing

The addressing system used on Ethernet uses two essential numbers for making connection, these are the IP address and the subnet mask. The address allows a specific device to be located and the subnet mask defines how many bits represent the subnet part of the address and how many bits represent the node address (see *section 5.6.1 The IP address* on page 19). Generally devices on different subnets can only communicate by using a gateway (*typically a router or firewall*).

5.3 Where do IP addresses come from?

Every address on a network must be unique. If you do not connect your network to any other networks the assignment of IP addresses is not critical (*although using a standard system is recommended*), as you have full control of the addresses used. The issue of addressing becomes important when connecting multiple networks together or connecting to the Internet where there is a strong possibility of duplication of addresses if a scheme is not followed.

5.4 Addressing etiquette

The following list details some points that should be considered when selecting addresses:

- **Reserve address space:** Ensure you have enough reserve address space on your chosen addressing scheme to allow for future expansion.
- **Uniqueness:** Ensure your addresses are unique, every device on a subnet must have a unique address.
- **Avoid reserved addresses:** For example the address 127.0.0.1 is reserved as the loop back address.
- **Broadcast and system addresses:** The highest and lowest host address on a subnet are reserved addresses.
- **Use a system:** Have a scheme for assigning your addresses, for example typically servers may have a low IP address and routers a high IP address. It is not necessary to allocate consecutive IP addresses so it is possible to reserve ranges for specific uses such as servers, work stations or routers.

| |
|----------------------------|
| Safety Information |
| Introduction |
| Mechanical Installation |
| Electrical Installation |
| Getting started |
| Parameters |
| Key features and Protocols |
| PC Tools Applications |
| Security |
| Diagnostics |
| Glossary of terms |
| Index |

5.5 Class types

IP addresses are grouped into ranges called classes, each class has a specific set of addresses and has a typical situation where it is used.

When selecting the class of IP address required, consideration must be given to how many subnets you need, how many hosts are required and if you will need a public (*worldwide*) or a private (*local*) addressing scheme. Table 5-1 shows an overview of how the class types are defined and Table 5-2 shows how each class separates the subnet and host ID.

Table 5-1 Subnets and hosts supported by class type

| Address Class | First Octet Decimal Range | Number of Subnets | Number of Hosts |
|---------------|---------------------------|-------------------|-----------------|
| A | 1-126.x.y.z | 126 | 16,777,214 |
| B | 128-191.x.y.z | 16,382 | 65,534 |
| C | 192-223.x.y.z | 2,097,150 | 254 |

Table 5-2 Address components

| Address Class | IP Address | Subnet Component | Host Component |
|---------------|------------|------------------|----------------|
| A | w.x.y.z | w | x.y.z |
| B | w.x.y.z | w.x | y.z |
| C | w.x.y.z | w.x.y | z |

NOTE Using the subnet mask it is possible to modify the IP addressing such that the ratio of subnets and host addresses may be changed. This gives you the facility to “adjust” standard classes to suit your specific requirements.

5.5.1 Class A addresses

A class A address only uses the first octet to represent the subnet, the remaining octets are used to represent the host id. These addresses are intended for large organisations such as universities and the military. These addresses must be requested from the governing body (*InterNIC*) when using them publicly (*on the Internet*) to avoid duplication.

5.5.2 Class B addresses

A class B address uses the first two octets to represent the subnet, the remaining octets are used to represent the host id. These addresses are intended for medium to large size networks. These addresses must be requested from the governing body (*InterNIC*) when using them publicly (*on the Internet*) to avoid duplication. Class B addresses are generally used on public or private networks.

5.5.3 Class C addresses

Class C addresses use the first 3 octets as the subnet address and the remaining octet as the host id. A class C address is normally used on a private network only, due to the restriction on the number of hosts on the network. Class C addresses will not be routed onto the Internet.

5.5.4 Class D & E addresses

These addresses are reserved for multicasting and experimental use.

5.6 Generating the complete address

A complete IP address consists of an IP address and a subnet mask, these two numbers are required to allow communication on Ethernet using TCP/IP.

5.6.1 The IP address

The IP address is made up from four 8 bit decimal numbers (*octets*) and is written as follows:

w.x.y.z for example 192.168.0.1 (*class c*)

5.6.2 The subnet mask

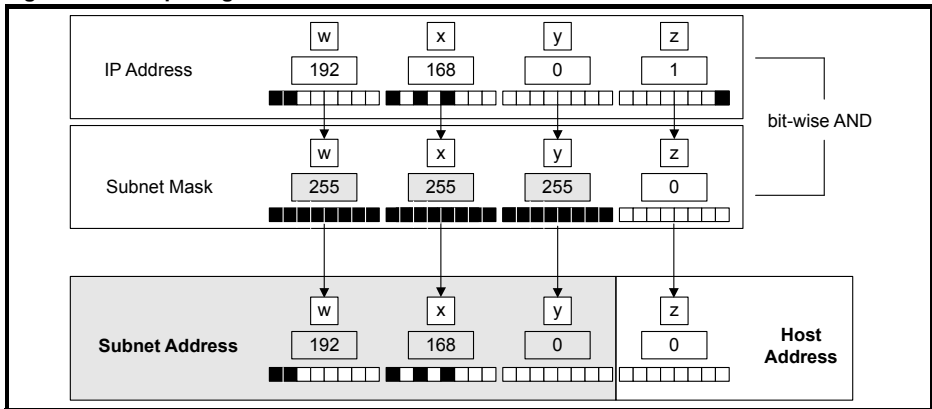
The subnet mask defines what part of the address constitutes the subnet within the IP address and what part of the address constitutes the host address. The subnet mask is bit-wise ANDed with the address to give the subnet to which the host belongs. A typical class C subnet mask would be 255.255.255.0, this may alternatively be written as '/24' as in the example below, showing an IP address of 192.168.0.1 with a subnet mask of 255.255.255.0. This alternative notation indicates the number of bits representing the subnet part of the address, starting from the most significant bit.

Alternative subnet mask notation: 192.168.0.1 /24

5.6.3 Completing the address

To determine which part of the address constitutes the network address and which part constitutes the node address, the IP address is bit-wise ANDed with the subnet mask. Figure 5-1 shows how the IP address and subnet mask are used to determine the subnet address and the host address.

Figure 5-1 Completing the address



5.7 DHCP considerations

5.7.1 Using fixed IP addressing

Using fixed IP addresses (*manually configured*) means that if a module fails, the IP address can be restored to a replacement module without the need to reconfigure the DHCP server. Using fixed addresses also prevents the DHCP server from changing the address. When using fixed IP addresses, it is vital that the IP address is reserved on the DHCP server to prevent duplicate addressing.

NOTE

If using manual IP address configuration please note that the IP address subnet mask and the default gateway must also be set manually. For more information on manual configuration see section 7.2.6 *Network* on page 22.

5.7.2 Using DHCP

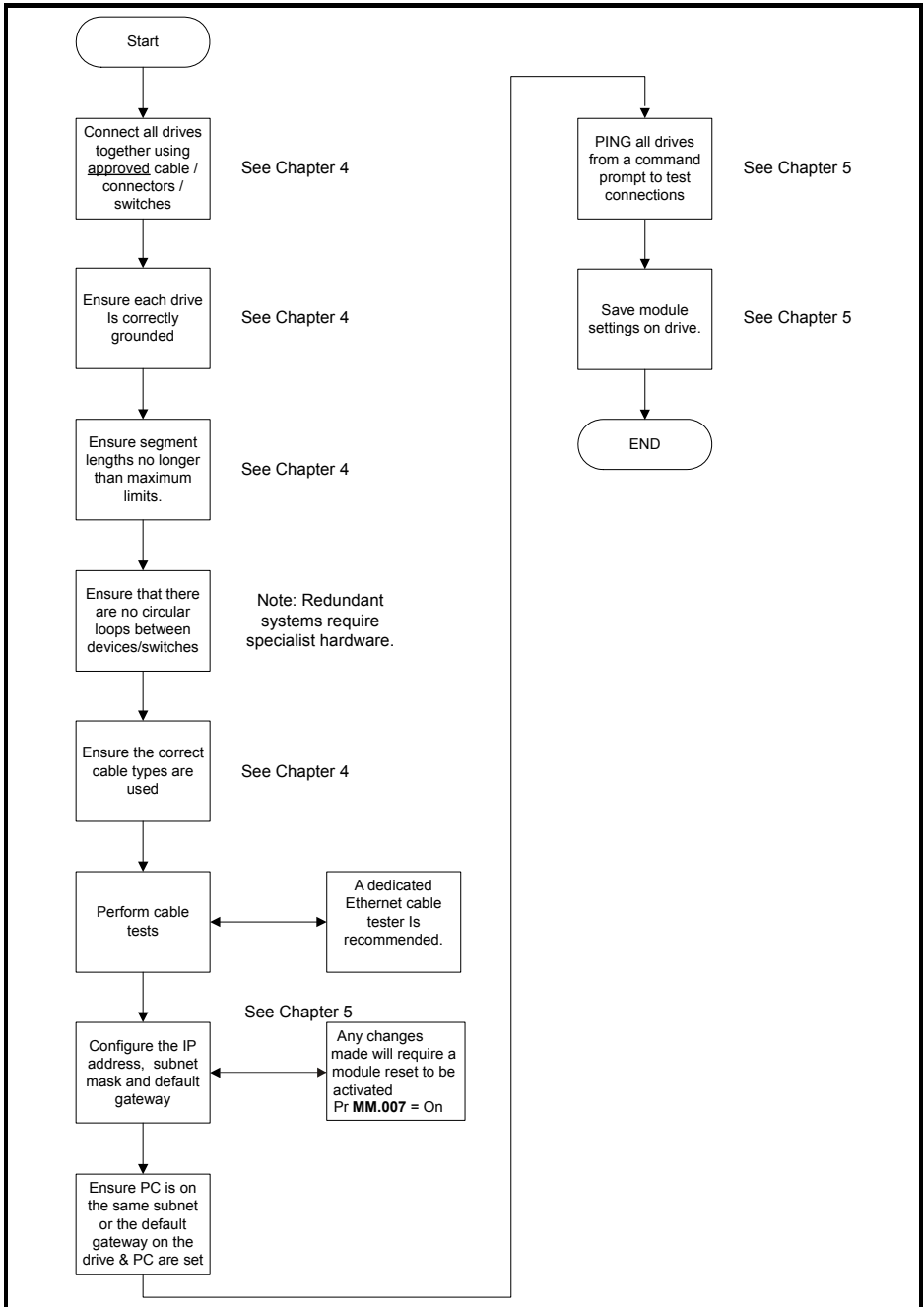
If DHCP is used, it is recommended that the allocated IP address is bound to the MAC address of the Ethernet interface, this strategy prevents the IP address changing on the Ethernet interface. Any leased addresses should be leased permanently to prevent IP address changes.

NOTE If the SI-Ethernet module is configured to use DHCP and the module requires exchanging, the new SI-Ethernet module will have a different MAC address and hence the DHCP server will issue the new module with a different IP address.

5.8 Basic principles of routing

Routing is required to get TCP/IP packets from one subnet to another. In an IP network, nodes from one subnet cannot communicate directly with nodes on a different subnet. To allow nodes to communicate, a router (*or similar device*) is required to allow the two subnets to exchange data. This means that any node wishing to communicate with a node that is not on its own subnet, must know the address of a router that is on its own subnet. This is sometimes called a gateway or default gateway.

5.9 Set-up flow chart



| |
|----------------------------|
| Safety Information |
| Introduction |
| Mechanical Installation |
| Electrical Installation |
| Getting started |
| Parameters |
| Key features and Protocols |
| PC Tools Applications |
| Security |
| Diagnostics |
| Glossary of terms |
| Index |

5.10 Single line parameter descriptions

Table 5-3 lists the coding used for the parameter type in the subsequent parameter description tables.

Table 5-3 Parameter type coding

| RW | Read / Write | RO | Read-only | Bit | Bit parameter | Txt | Text string | Date | Date parameter | Time | Time parameter |
|-----|---------------------|-----|------------------|-----|------------------|-----|-------------------------|------|----------------|------|-----------------------|
| Chr | Character parameter | Bin | Binary parameter | IP | IP address | Mac | MAC address | Ver | Version number | SMP | Slot, menu, parameter |
| Num | Number parameter | DE | Destination | ND | No default value | RA | Rating dependent | NC | Non-copyable | PT | Protected |
| Fl | Filtered | US | User save | PS | Power-down save | BU | Bit default or Unipolar | | | | |

5.10.1 Internal menus

The Ethernet interface provides parameters for configuration and information, these parameters are grouped into menus as shown in Table 5-4

Table 5-4 Ethernet internal menus

| Menu | Name | Description |
|-------------|--------------------------|--|
| S.0 | Module Setup | Provides module information such as firmware version, serial number and status |
| S.2 | Ethernet | Configures and provides information on the Ethernet network |
| S.9 | Resources | Provides information on the module task resources and PCB temperature |
| S.10 | Easy Mode | Configures and provides information on the Easy Mode cyclic data setup |
| S.11 | Synchronization | Configures and provides information on the module synchronization |
| S.15 | Modbus | Configures the Modbus protocol features |
| S.20 | EtherNet/IP | Configures and provides information on the EtherNet/IP protocol |
| S.21 | EtherNet/IP IN | Configures the EtherNet/IP input mappings (PLC to Drive) |
| S.22 | EtherNet/IP OUT | Configures the EtherNet/IP output mappings (Drive to PLC) |
| S.23 | EtherNet/IP Fault Values | Configures the EtherNet/IP values to write under a network loss condition |

5.10.2 Menu 0 - Ethernet set-up (MM.ppp)

Table 5-5 Menu 0 parameters

| Parameter | Range | Default | Access | Size (Bits) |
|-----------------|-------------------|--------------------------------------|------------------|-------------|
| S.00.000 | Parameter mm.000 | 0 to 65535 | | 16 |
| S.00.001 | Module ID | 0 to 65535 | | 16 |
| S.00.002 | Software Version | 00.00.00.00 to 99.99.99.99 | | 32 |
| S.00.003 | Hardware Version | 0.00 to 99.99 | | 16 |
| S.00.004 | Serial Number LS | 0 to 99999999 | | 32 |
| S.00.005 | Serial Number MS | 0 to 99999999 | | 32 |
| S.00.006 | Status | -2 to 3 | | 8 |
| S.00.007 | Reset | 0 (Off) to 1 (On) | 0 (Off) | RW 1 |
| S.00.008 | Default | 0 (Off) to 1 (On) | 0 (Off) | RW 1 |
| S.00.009 | Active Alarm Bits | 0000000000000000 to 1111111111111111 | 0000000000000000 | RO 16 |
| S.00.010 | Active IP Address | 0.0.0.0 to 255.255.255.255 | 0.0.0.0 | RO 32 |
| S.00.011 | Reserved | | | |
| S.00.054 | Reserved | | | |

Menu 0 within the SI-Ethernet option module, is also displayed in the drive menu 15, 16 or 17 depending on which slot the option module is installed to and the setting of the Option Slot Identifiers parameter (**S.11.056**).

By default, the SI-Ethernet option module will be either menu 15, 16 or 17 and the onboard Ethernet interface will be menu 24.

Table 5-6 *Menu 0 slot availability* details the drive models and their available slots and associated drive menus for use with both the SI-Ethernet option module and the onboard Ethernet interface.

Table 5-6 Menu 0 slot availability

| Drive model | Module | Slot number | Drive menu (MM) |
|---------------------------|------------------|-------------|-----------------|
| M200 / M201 / M300 / M400 | SI-Ethernet | 1 | 15 |
| | | 2 | N/A |
| | | 3 | N/A |
| | Onboard Ethernet | 4 | N/A |
| M600 | SI-Ethernet | 1 | 15 |
| | | 2 | 16 |
| | | 3 | 17 |
| | Onboard Ethernet | 4 | N/A |
| M700 / M702 | SI-Ethernet | 1 | 15 |
| | | 2 | 16 |
| | | 3 | 17 |
| | Onboard Ethernet | 4 | 24 |
| M701 | SI-Ethernet | 1 | 15 |
| | | 2 | 16 |
| | | 3 | 17 |
| | Onboard Ethernet | 4 | N/A |

5.10.3 Menu 2 - Ethernet Configuration

Table 5-7 Menu 2 parameters

| Parameter | | Range | Default | Access | Size (Bits) |
|-----------------|---------------------------|-----------------------------------|----------------|--------|-------------|
| S.02.000 | Parameter mm.000 | 0 to 65535 | | RW | 16 |
| S.02.003 | Network Status | 0 to 5 | | RO | 8 |
| S.02.004 | Network Message Count | 0 to 65535 msg/s | | RO | 16 |
| S.02.005 | DHCP Enable | 0 (Off) to 1 (On) | 1 (On) | RW | 1 |
| S.02.006 | IP Address | 0.0.0.0 to 255.255.255.255 | 192.168.1.254 | RW | 32 |
| S.02.007 | Subnet Mask | 0.0.0.0 to 255.255.255.255 | 255.255.255.0 | RW | 32 |
| S.02.008 | Default Gateway | 0.0.0.0 to 255.255.255.255 | 192.168.1.254 | RW | 32 |
| S.02.009 | Primary DNS | 0.0.0.0 to 255.255.255.255 | 0.0.0.0 | RW | 32 |
| S.02.010 | Secondary DNS | 0.0.0.0 to 255.255.255.255 | 0.0.0.0 | RW | 32 |
| S.02.011 | MAC Address | 000000000000 to FFFFFFFF | | RO | 64 |
| S.02.020 | Priority Protocol | 0 to 2 | 0 | RW | 8 |
| S.02.021 | Web Server Enable | 0 (Off) to 1 (On) | 1 (On) | RW | 1 |
| S.02.022 | Web Server Port | 0 to 65535 | 80 | RW | 16 |
| S.02.024 | Ethernet MTU | 158 to 1500 bytes | 1500 bytes | RW | 16 |
| S.02.025 | Gateway Mode | 0 to 2 | 0 | RW | 8 |
| S.02.030 | VLAN Enable | 0 (Off) to 1 (On) | 0 (Off) | RW | 1 |
| S.02.031 | Drive VLAN ID | 0 to 255 | 0 | RW | 8 |
| S.02.034 | Drive Mode | 0 (Unidrive M) to 1 (Unidrive SP) | 0 (Unidrive M) | RW | 8 |
| S.02.035 | Non cyclic enable | 0 (Off) to 1 (On) | 0 (Off) | RW | 1 |
| S.02.036 | Non cyclic base parameter | 0 (0.00.000) to 59999 (0.59.999) | 0 (0.00.000) | RW | 16 |

5.10.4 Menu 9 - Ethernet Resources

Table 5-8 Menu 9 parameters

| Parameter | | Range | Default | Access | Size (Bits) |
|-----------------|------------------------------|----------------|---------|--------|-------------|
| S.09.000 | Parameter mm.000 | 0 to 65535 | | RW | 16 |
| S.09.001 | Cyclic Tx Links Free | 0 to 255 | | RO | 8 |
| S.09.002 | Cyclic Rx Links Free | 0 to 255 | | RO | 8 |
| S.09.003 | Fieldbus Links Free | 0 to 255 | | RO | 8 |
| S.09.004 | Cyclic Mappings Free | 0 to 255 | | RO | 8 |
| S.09.008 | Background cycles per second | 0 to 65535 | | RO | 16 |
| S.09.010 | Sync Task % Free | 0 to 255 % | | RO | 8 |
| S.09.020 | Sync Task Worst % Free | 0 to 255 % | | RO | 8 |
| S.09.030 | PCB Temperature | -128 to 127 °C | | RO | 8 |

5.10.5 Menu 10 - Easy Mode Cyclic Data

Table 5-9 Menu 10 parameters

| Parameter | Range | Default | Access | Size (Bits) |
|--|-----------------------------------|--------------|--------|-------------|
| S.10.000 Parameter mm.000 | 0 to 65535 | | RW | 16 |
| S.10.001 Easy Mode Enable | 0 (Off) to 1 (On) | 1 (On) | RW | 1 |
| S.10.002 Easy Mode Reset | 0 (Off) to 1 (On) | 0 (Off) | RW | 1 |
| S.10.003 Easy Mode Default | 0 (Off) to 1 (On) | 0 (Off) | RW | 1 |
| S.10.004 Cyclic Messages Per Second | 0 to 65535 msg/s | | RO | 16 |
| S.10.005 Configuration Valid | 0 (Off) to 1 (On) | | RO | 1 |
| S.10.006 Operational | 0 (Off) to 1 (On) | | RO | 1 |
| S.10.007 Active Configuration | 0 to 2 | | RO | 8 |
| S.10.008 Timeout Count | 0 to 65535 | | RO | 16 |
| S.10.009 Data Late Count | 0 to 65535 | | RO | 16 |
| S.10.010 Tx1 Link Profile | 0 (Std) to 1 (Sync) | 0 (Std) | RW | 8 |
| S.10.011 Tx1 Link Number | 0 to 255 | 0 | RW | 8 |
| S.10.012 Tx1 Source Parameter | 0 (0.00.000) to 499999 (4.99.999) | 0 (0.00.000) | RW | 32 |
| S.10.013 Tx1 Parameter Count | 0 to 10 | 0 | RW | 8 |
| S.10.014 Tx1 Transmission Type | 0 (Unicast) to 11 (Multicast10) | 0 (Unicast) | RW | 8 |
| S.10.015 Tx1 Destination Address | 0.0.0.0 to 255.255.255.255 | 0.0.0.0 | RW | 32 |
| S.10.016 Tx1 Message Rate | 0 to 100 ms | 0 ms | RW | 8 |
| S.10.019 Tx1 Link Status | -31 (Disabled) to 2 (OK Sync) | | RO | 8 |
| S.10.020 Tx2 Link Profile | 0 (Std) to 1 (Sync) | 0 (Std) | RW | 8 |
| S.10.021 Tx2 Link Number | 0 to 255 | 0 | RW | 8 |
| S.10.022 Tx2 Source Parameter | 0 (0.00.000) to 499999 (4.99.999) | 0 (0.00.000) | RW | 32 |
| S.10.023 Tx2 Parameter Count | 0 to 10 | 0 | RW | 8 |
| S.10.024 Tx2 Transmission Type | 0 (Unicast) to 11 (Multicast10) | 0 (Unicast) | RW | 8 |
| S.10.025 Tx2 Destination Address | 0.0.0.0 to 255.255.255.255 | 0.0.0.0 | RW | 32 |
| S.10.026 Tx2 Message Rate | 0 to 100 ms | 0 ms | RW | 8 |
| S.10.029 Tx2 Link Status | -31 (Disabled) to 2 (OK Sync) | | RO | 8 |
| S.10.030 Tx3 Link Profile | 0 (Std) to 1 (Sync) | 0 (Std) | RW | 8 |
| S.10.031 Tx3 Link Number | 0 to 255 | 0 | RW | 8 |
| S.10.032 Tx3 Source Parameter | 0 (0.00.000) to 499999 (4.99.999) | 0 (0.00.000) | RW | 32 |
| S.10.033 Tx3 Parameter Count | 0 to 10 | 0 | RW | 8 |
| S.10.034 Tx3 Transmission Type | 0 (Unicast) to 11 (Multicast10) | 0 (Unicast) | RW | 8 |
| S.10.035 Tx3 Destination Address | 0.0.0.0 to 255.255.255.255 | 0.0.0.0 | RW | 32 |
| S.10.036 Tx3 Message Rate | 0 to 100 ms | 0 ms | RW | 8 |
| S.10.039 Tx3 Link Status | -31 (Disabled) to 2 (OK Sync) | | RO | 8 |

| |
|----------------------------|
| Safety Information |
| Introduction |
| Mechanical Installation |
| Electrical Installation |
| Getting started |
| Parameters |
| Key Features and Protocols |
| PC Tools Applications |
| Security |
| Diagnostics |
| Glossary of terms |
| Index |

| | Parameter | Range | Default | Access | Size (Bits) |
|-----------------|---------------------------|-----------------------------------|----------------|---------------|--------------------|
| S.10.040 | Rx1 Link Profile | 0 (Std) to 1 (Sync) | 0 (Std) | RW | 8 |
| S.10.041 | Rx1 Link Number | 0 to 255 | 0 | RW | 8 |
| S.10.042 | Rx1 Destination Parameter | 0 (0.00.000) to 499999 (4.99.999) | 0 (0.00.000) | RW | 32 |
| S.10.043 | Rx1 Parameter Count | 0 to 10 | 0 | RW | 8 |
| S.10.044 | Rx1 Source Type | 0 (Direct) to 11 (Multicast10) | 0 (Direct) | RW | 8 |
| S.10.045 | Rx1 Timeout | 0 to 65535 ms | 100 ms | RW | 16 |
| S.10.046 | Rx1 Timeout Action | 0 (Trip) to 2 (Hold last) | 0 (Trip) | RW | 8 |
| S.10.047 | Rx1 Timeout Event Dest | 0 (This slot) to 4 (Slot 4) | 0 (This slot) | RW | 8 |
| S.10.048 | Rx1 Timeout Event Type | 0 (No Event) to 4 (Event3) | 0 (No Event) | RW | 8 |
| S.10.049 | Rx1 Link Status | -31 (Disabled) to 2 (OK Sync) | | RO | 8 |
| S.10.050 | Rx2 Link Profile | 0 (Std) to 1 (Sync) | 0 (Std) | RW | 8 |
| S.10.051 | Rx2 Link Number | 0 to 255 | 0 | RW | 8 |
| S.10.052 | Rx2 Destination Parameter | 0 (0.00.000) to 499999 (4.99.999) | 0 (0.00.000) | RW | 32 |
| S.10.053 | Rx2 Parameter Count | 0 to 10 | 0 | RW | 8 |
| S.10.054 | Rx2 Source Type | 0 (Direct) to 11 (Multicast10) | 0 (Direct) | RW | 8 |
| S.10.055 | Rx2 Timeout | 0 to 65535 ms | 100 ms | RW | 16 |
| S.10.056 | Rx2 Timeout Action | 0 (Trip) to 2 (Hold last) | 0 (Trip) | RW | 8 |
| S.10.057 | Rx2 Timeout Event Dest | 0 (This slot) to 4 (Slot 4) | 0 (This slot) | RW | 8 |
| S.10.058 | Rx2 Timeout Event Type | 0 (No Event) to 4 (Event3) | 0 (No Event) | RW | 8 |
| S.10.059 | Rx2 Link Status | -31 (Disabled) to 2 (OK Sync) | | RO | 8 |
| S.10.060 | Rx3 Link Profile | 0 (Std) to 1 (Sync) | 0 (Std) | RW | 8 |
| S.10.061 | Rx3 Link Number | 0 to 255 | 0 | RW | 8 |
| S.10.062 | Rx3 Destination Parameter | 0 (0.00.000) to 499999 (4.99.999) | 0 (0.00.000) | RW | 32 |
| S.10.063 | Rx3 Parameter Count | 0 to 10 | 0 | RW | 8 |
| S.10.064 | Rx3 Source Type | 0 (Direct) to 11 (Multicast10) | 0 (Direct) | RW | 8 |
| S.10.065 | Rx3 Timeout | 0 to 65535 ms | 100 ms | RW | 16 |
| S.10.066 | Rx3 Timeout Action | 0 (Trip) to 2 (Hold last) | 0 (Trip) | RW | 8 |
| S.10.067 | Rx3 Timeout Event Dest | 0 (This slot) to 4 (Slot 4) | 0 (This slot) | RW | 8 |
| S.10.068 | Rx3 Timeout Event Type | 0 (No Event) to 4 (Event3) | 0 (No Event) | RW | 8 |
| S.10.069 | Rx3 Link Status | -31 (Disabled) to 2 (OK Sync) | | RO | 8 |

5.10.6 Menu 11 - Synchronization

Table 5-10 Menu 11 parameters

| Parameter | | Range | Default | Access | Size (Bits) |
|-----------------|---------------------------------|--------------------------------------|---------------|--------|-------------|
| S.11.000 | Parameter mm.000 | 0 to 65535 | | RW | 16 |
| S.11.001 | Preferred Sync Master | 0 to 4 | 1 | RW | 8 |
| S.11.002 | Master Clock Domain | 0 to 3 | 0 | RW | 8 |
| S.11.005 | Grandmaster MAC Address | 0000000000000000 to FFFFFFFF00000000 | | RO | 64 |
| S.11.006 | Sync Jitter From Grandmaster | -2147483648 ns to 2147483647 ns | | RO | 32 |
| S.11.007 | Sync Jitter Threshold | 500 to 1000000 ns | 1000 ns | RW | 32 |
| S.11.008 | Module Sync Flag | 0 (Off) to 1 (On) | 0 (Off) | RO | 1 |
| S.11.009 | Inhibit Drive Synchronisation | 0 (Off) to 1 (On) | 0 (Off) | RW | 1 |
| S.11.010 | PTP Date | 00-00-00 to 31-12-99 | | RO | 32 |
| S.11.011 | PTP Time | 00:00:00 to 23:59:59 | | RO | 32 |
| S.11.015 | PTP Delay Select | 1 (P2P DELAY) to 2 (Off) | 1 (P2P DELAY) | RW | 8 |
| S.11.016 | PTP Sync Rate | -4 to 0 | -4 | RW | 8 |
| S.11.017 | In sync window length | 2 to 255 s | 20 s | RW | 8 |
| S.11.020 | Network Error Count | 0 to 4294967295 | | RO | 32 |
| S.11.022 | Interoption Sync Status | 0 (MASTER) to 2 (INDEPENDENT) | | RO | 8 |
| S.11.030 | Easy Mode Maximum Network Delay | 1 to 100 ms | 3 ms | RW | 8 |
| S.11.040 | Rx1 Late Sync Frame Action | 1 (Trip) to 3 (Use) | 1 (Trip) | RW | 8 |
| S.11.041 | Rx1 Late Sync Frame Dest | 0 (This slot) to 4 (Slot 4) | 0 (This slot) | RW | 8 |
| S.11.042 | Rx1 Late Sync Frame Event | 0 (No Event) to 4 (Event3) | 0 (No Event) | RW | 8 |
| S.11.050 | Rx2 Late Sync Frame Action | 1 (Trip) to 3 (Use) | 1 (Trip) | RW | 8 |
| S.11.051 | Rx2 Late Sync Frame Dest | 0 (This slot) to 4 (Slot 4) | 0 (This slot) | RW | 8 |
| S.11.052 | Rx2 Late Sync Frame Event | 0 (No Event) to 4 (Event3) | 0 (No Event) | RW | 8 |
| S.11.060 | Rx3 Late Sync Frame Action | 1 (Trip) to 3 (Use) | 1 (Trip) | RW | 8 |
| S.11.061 | Rx3 Late Sync Frame Dest | 0 (This slot) to 4 (Slot 4) | 0 (This slot) | RW | 8 |
| S.11.062 | Rx3 Late Sync Frame Event | 0 (No Event) to 4 (Event3) | 0 (No Event) | RW | 8 |

| |
|----------------------------|
| Safety Information |
| Introduction |
| Mechanical Installation |
| Electrical Installation |
| Getting started |
| Parameters |
| Key features and Protocols |
| PC Tools Applications |
| Security |
| Diagnostics |
| Glossary of terms |
| Index |

5.10.7 Menu 15 - Modbus

Table 5-11 Menu 15 parameters

| Parameter | Range | Default | Access | Size (Bits) | |
|-----------------|---------------------------------|-------------------------------------|---------------|-------------|----|
| S.15.000 | Parameter mm.000 | 0 to 65535 | | 16 | |
| S.15.001 | Enable | 0 (Off) to 1 (On) | 1 (On) | RW | 1 |
| S.15.002 | Reset | 0 (Off) to 1 (On) | 0 (Off) | RW | 1 |
| S.15.003 | Default | 0 (Off) to 1 (On) | 0 (Off) | RW | 1 |
| S.15.004 | Modbus Config Error | 0 (No error) to 3 (Num Connections) | | RO | 8 |
| S.15.005 | Modbus Listening Port | 0 to 65535 | 502 | RW | 16 |
| S.15.006 | Maximum Connections | 0 to 4 | 2 | RW | 8 |
| S.15.007 | Maximum Priority Connections | 0 to 5 | 2 | RW | 8 |
| S.15.008 | Max Connections Per Client | 1 to 4 | 2 | RW | 8 |
| S.15.009 | Modbus Timeout | 1 to 10000 ms | 100 ms | RW | 16 |
| S.15.010 | Modbus Timeout Action | 0 (Trip) to 1 (No action) | 1 (No action) | RW | 8 |
| S.15.011 | Modbus Timeout Event Dest | 0 (This slot) to 4 (Slot 4) | 0 (This slot) | RW | 8 |
| S.15.012 | Modbus Timeout Event Type | 0 (No event) to 5 (Trigger Event 4) | 0 (No event) | RW | 8 |
| S.15.013 | Modbus Register Addressing Mode | 0 (Standard) to 1 (Modified) | 0 (Standard) | RW | 8 |
| S.15.020 | Priority Connection 1 | 0.0.0.0 to 255.255.255.255 | 0.0.0.0 | RW | 32 |
| S.15.021 | Priority Connection 2 | 0.0.0.0 to 255.255.255.255 | 0.0.0.0 | RW | 32 |
| S.15.022 | Priority Connection 3 | 0.0.0.0 to 255.255.255.255 | 0.0.0.0 | RW | 32 |
| S.15.023 | Priority Connection 4 | 0.0.0.0 to 255.255.255.255 | 0.0.0.0 | RW | 32 |

5.10.8 Menu 20 - EtherNet/IP Setup

Table 5-12 Menu 20 parameters

| Parameter | Range | Default | Access | Size (Bits) | |
|-----------------|-------------------------------|---|---------------|-------------|----|
| S.20.000 | Parameter mm.000 | 0 to 65535 | | 16 | |
| S.20.001 | Enable EtherNet/IP | 0 (Off) to 1 (On) | 1 (On) | RW | 1 |
| S.20.002 | Reset | 0 (Off) to 1 (On) | 0 (Off) | RW | 1 |
| S.20.003 | Default | 0 (Off) to 1 (On) | 0 (Off) | RW | 1 |
| S.20.004 | Configuration error | 0 (No error) to 8 (Out cons trig pr) | | RO | 8 |
| S.20.007 | Cyclic Data Transfers/s | 0 to 65535 | | RO | 16 |
| S.20.011 | RPI timeout action | 0 (Trip) to 4 (No Action) | 3 (Hold last) | RW | 8 |
| S.20.012 | RPI Timeout Event Dest | 0 (This slot) to 4 (Slot 4) | 0 (This slot) | RW | 8 |
| S.20.013 | RPI timeout event type | 0 (No event) to 5 (Trigger Event 4) | 0 (No event) | RW | 8 |
| S.20.015 | PLC idle action | 0 (Trip) to 4 (No action) | 4 (No action) | RW | 8 |
| S.20.016 | PLC idle event destination | 0 (This slot) to 4 (Slot 4) | 0 (This slot) | RW | 8 |
| S.20.017 | PLC idle event type | 0 (No event) to 5 (Trigger Event 4) | 0 (No event) | RW | 8 |
| S.20.018 | Active input assembly object | 0 (100-PrimaryI) to 4 (73-ExtSpdTqCtrl) | | RO | 8 |
| S.20.019 | Active output assembly object | 0 (101-PrimaryO) to 4 (23-ExtSpdTqCtrO) | | RO | 8 |
| S.20.020 | Input assembly object size | 4 to 128 bytes | 8 bytes | RW | 8 |
| S.20.021 | Output assembly object size | 4 to 128 bytes | 8 bytes | RW | 8 |
| S.20.024 | In Assembly Obj Process Time | 0 to 65535 ms | | RO | 16 |
| S.20.025 | Out Assembly Obj Process Time | 0 to 65535 ms | | RO | 16 |
| S.20.026 | In Consistency Enable | 0 (Off) to 1 (On) | 0 (Off) | RW | 1 |
| S.20.027 | In Consistency Trigger Param | 0 (0.00.000) to 499999 (4.99.999) | 0 (0.00.000) | RW | 32 |
| S.20.028 | Out Consistency Enable | 0 (Off) to 1 (On) | 0 (Off) | RW | 1 |
| S.20.029 | Out Consistency Trigger Param | 0 (0.00.000) to 499999 (4.99.999) | 0 (0.00.000) | RW | 32 |
| S.20.030 | Custom Vendor ID | 0 (257-CT) to 1 (553-CT AMERICA) | 0 (257-CT) | RW | 8 |
| S.20.031 | Custom product code | 0 to 65535 | 0 | RW | 16 |
| S.20.032 | Custom product revision code | 0 to 65535 | 0 | RW | 16 |
| S.20.033 | Actual Product Code | 0 to 65535 | | RO | 16 |
| S.20.034 | Actual Product Revision | 0 to 65535 | | RO | 16 |
| S.20.040 | Type of Motor 1 | 0 (2-FC DC) to 4 (10-Trap PM BL) | 2 (7-SCI) | RO | 8 |
| S.20.041 | Type of Motor 2 | 0 (2-FC DC) to 4 (10-Trap PM BL) | 2 (7-SCI) | RO | 8 |

| |
|----------------------------|
| Safety Information |
| Introduction |
| Mechanical Installation |
| Electrical Installation |
| Getting started |
| Parameters |
| Key Features and Protocols |
| PC Tools Applications |
| Security |
| Diagnostics |
| Glossary of terms |
| Index |

5.10.9 Menu 21 - EtherNet/IP In Mappings

Table 5-13 Menu 21 parameters

| Parameter | | Range | Default | Access | Size (Bits) |
|-----------------|----------------------------|-----------------------------------|------------------|--------|-------------|
| S.21.000 | Parameter mm.000 | 0 to 65535 | | RW | 16 |
| S.21.001 | Input mapping parameter 1 | 0 (0.00.000) to 499999 (4.99.999) | 10040 (0.10.040) | RW | 32 |
| S.21.002 | Input mapping parameter 2 | 0 (0.00.000) to 499999 (4.99.999) | 2001 (0.02.001) | RW | 32 |
| S.21.003 | Input mapping parameter 3 | 0 (0.00.000) to 499999 (4.99.999) | 0 (0.00.000) | RW | 32 |
| S.21.004 | Input mapping parameter 4 | 0 (0.00.000) to 499999 (4.99.999) | 0 (0.00.000) | RW | 32 |
| S.21.005 | Input mapping parameter 5 | 0 (0.00.000) to 499999 (4.99.999) | 0 (0.00.000) | RW | 32 |
| S.21.006 | Input mapping parameter 6 | 0 (0.00.000) to 499999 (4.99.999) | 0 (0.00.000) | RW | 32 |
| S.21.007 | Input mapping parameter 7 | 0 (0.00.000) to 499999 (4.99.999) | 0 (0.00.000) | RW | 32 |
| S.21.008 | Input mapping parameter 8 | 0 (0.00.000) to 499999 (4.99.999) | 0 (0.00.000) | RW | 32 |
| S.21.009 | Input mapping parameter 9 | 0 (0.00.000) to 499999 (4.99.999) | 0 (0.00.000) | RW | 32 |
| S.21.010 | Input mapping parameter 10 | 0 (0.00.000) to 499999 (4.99.999) | 0 (0.00.000) | RW | 32 |
| S.21.011 | Input mapping parameter 11 | 0 (0.00.000) to 499999 (4.99.999) | 0 (0.00.000) | RW | 32 |
| S.21.012 | Input mapping parameter 12 | 0 (0.00.000) to 499999 (4.99.999) | 0 (0.00.000) | RW | 32 |
| S.21.013 | Input mapping parameter 13 | 0 (0.00.000) to 499999 (4.99.999) | 0 (0.00.000) | RW | 32 |
| S.21.014 | Input mapping parameter 14 | 0 (0.00.000) to 499999 (4.99.999) | 0 (0.00.000) | RW | 32 |
| S.21.015 | Input mapping parameter 15 | 0 (0.00.000) to 499999 (4.99.999) | 0 (0.00.000) | RW | 32 |
| S.21.016 | Input mapping parameter 16 | 0 (0.00.000) to 499999 (4.99.999) | 0 (0.00.000) | RW | 32 |
| S.21.017 | Input mapping parameter 17 | 0 (0.00.000) to 499999 (4.99.999) | 0 (0.00.000) | RW | 32 |
| S.21.018 | Input mapping parameter 18 | 0 (0.00.000) to 499999 (4.99.999) | 0 (0.00.000) | RW | 32 |
| S.21.019 | Input mapping parameter 19 | 0 (0.00.000) to 499999 (4.99.999) | 0 (0.00.000) | RW | 32 |
| S.21.020 | Input mapping parameter 20 | 0 (0.00.000) to 499999 (4.99.999) | 0 (0.00.000) | RW | 32 |
| S.21.021 | Input mapping parameter 21 | 0 (0.00.000) to 499999 (4.99.999) | 0 (0.00.000) | RW | 32 |
| S.21.022 | Input mapping parameter 22 | 0 (0.00.000) to 499999 (4.99.999) | 0 (0.00.000) | RW | 32 |
| S.21.023 | Input mapping parameter 23 | 0 (0.00.000) to 499999 (4.99.999) | 0 (0.00.000) | RW | 32 |
| S.21.024 | Input mapping parameter 24 | 0 (0.00.000) to 499999 (4.99.999) | 0 (0.00.000) | RW | 32 |

| Parameter | | Range | Default | Access | Size (Bits) |
|-----------------|----------------------------|-----------------------------------|--------------|--------|-------------|
| S.21.025 | Input mapping parameter 25 | 0 (0.00.000) to 499999 (4.99.999) | 0 (0.00.000) | RW | 32 |
| S.21.026 | Input mapping parameter 26 | 0 (0.00.000) to 499999 (4.99.999) | 0 (0.00.000) | RW | 32 |
| S.21.027 | Input mapping parameter 27 | 0 (0.00.000) to 499999 (4.99.999) | 0 (0.00.000) | RW | 32 |
| S.21.028 | Input mapping parameter 28 | 0 (0.00.000) to 499999 (4.99.999) | 0 (0.00.000) | RW | 32 |
| S.21.029 | Input mapping parameter 29 | 0 (0.00.000) to 499999 (4.99.999) | 0 (0.00.000) | RW | 32 |
| S.21.030 | Input mapping parameter 30 | 0 (0.00.000) to 499999 (4.99.999) | 0 (0.00.000) | RW | 32 |
| S.21.031 | Input mapping parameter 31 | 0 (0.00.000) to 499999 (4.99.999) | 0 (0.00.000) | RW | 32 |
| S.21.032 | Input mapping parameter 32 | 0 (0.00.000) to 499999 (4.99.999) | 0 (0.00.000) | RW | 32 |

| |
|----------------------------|
| Safety Information |
| Introduction |
| Mechanical Installation |
| Electrical Installation |
| Getting started |
| Parameters |
| Key features and Protocols |
| PC Tools Applications |
| Security |
| Diagnostics |
| Glossary of terms |
| Index |

5.10.10 Menu 22 - EtherNet/IP Out Mappings

Table 5-14 Menu 22 parameters

| Parameter | Range | Default | Access | Size (Bits) | |
|-----------------|-----------------------------|-----------------------------------|-----------------|-------------|----|
| S.22.000 | Parameter mm.000 | 0 to 65535 | | RW | 16 |
| S.22.001 | Output mapping parameter 1 | 0 (0.00.000) to 499999 (4.99.999) | 6042 (0.06.042) | RW | 32 |
| S.22.002 | Output mapping parameter 2 | 0 (0.00.000) to 499999 (4.99.999) | 1021 (0.01.021) | RW | 32 |
| S.22.003 | Output mapping parameter 3 | 0 (0.00.000) to 499999 (4.99.999) | 0 (0.00.000) | RW | 32 |
| S.22.004 | Output mapping parameter 4 | 0 (0.00.000) to 499999 (4.99.999) | 0 (0.00.000) | RW | 32 |
| S.22.005 | Output mapping parameter 5 | 0 (0.00.000) to 499999 (4.99.999) | 0 (0.00.000) | RW | 32 |
| S.22.006 | Output mapping parameter 6 | 0 (0.00.000) to 499999 (4.99.999) | 0 (0.00.000) | RW | 32 |
| S.22.007 | Output mapping parameter 7 | 0 (0.00.000) to 499999 (4.99.999) | 0 (0.00.000) | RW | 32 |
| S.22.008 | Output mapping parameter 8 | 0 (0.00.000) to 499999 (4.99.999) | 0 (0.00.000) | RW | 32 |
| S.22.009 | Output mapping parameter 9 | 0 (0.00.000) to 499999 (4.99.999) | 0 (0.00.000) | RW | 32 |
| S.22.010 | Output mapping parameter 10 | 0 (0.00.000) to 499999 (4.99.999) | 0 (0.00.000) | RW | 32 |
| S.22.011 | Output mapping parameter 11 | 0 (0.00.000) to 499999 (4.99.999) | 0 (0.00.000) | RW | 32 |
| S.22.012 | Output mapping parameter 12 | 0 (0.00.000) to 499999 (4.99.999) | 0 (0.00.000) | RW | 32 |
| S.22.013 | Output mapping parameter 13 | 0 (0.00.000) to 499999 (4.99.999) | 0 (0.00.000) | RW | 32 |
| S.22.014 | Output mapping parameter 14 | 0 (0.00.000) to 499999 (4.99.999) | 0 (0.00.000) | RW | 32 |
| S.22.015 | Output mapping parameter 15 | 0 (0.00.000) to 499999 (4.99.999) | 0 (0.00.000) | RW | 32 |
| S.22.016 | Output mapping parameter 16 | 0 (0.00.000) to 499999 (4.99.999) | 0 (0.00.000) | RW | 32 |
| S.22.017 | Output mapping parameter 17 | 0 (0.00.000) to 499999 (4.99.999) | 0 (0.00.000) | RW | 32 |
| S.22.018 | Output mapping parameter 18 | 0 (0.00.000) to 499999 (4.99.999) | 0 (0.00.000) | RW | 32 |
| S.22.019 | Output mapping parameter 19 | 0 (0.00.000) to 499999 (4.99.999) | 0 (0.00.000) | RW | 32 |
| S.22.020 | Output mapping parameter 20 | 0 (0.00.000) to 499999 (4.99.999) | 0 (0.00.000) | RW | 32 |
| S.22.021 | Output mapping parameter 21 | 0 (0.00.000) to 499999 (4.99.999) | 0 (0.00.000) | RW | 32 |
| S.22.022 | Output mapping parameter 22 | 0 (0.00.000) to 499999 (4.99.999) | 0 (0.00.000) | RW | 32 |
| S.22.023 | Output mapping parameter 23 | 0 (0.00.000) to 499999 (4.99.999) | 0 (0.00.000) | RW | 32 |
| S.22.024 | Output mapping parameter 24 | 0 (0.00.000) to 499999 (4.99.999) | 0 (0.00.000) | RW | 32 |

| Parameter | | Range | Default | Access | Size (Bits) |
|-----------------|-----------------------------|-----------------------------------|--------------|--------|-------------|
| S.22.025 | Output mapping parameter 25 | 0 (0.00.000) to 499999 (4.99.999) | 0 (0.00.000) | RW | 32 |
| S.22.026 | Output mapping parameter 26 | 0 (0.00.000) to 499999 (4.99.999) | 0 (0.00.000) | RW | 32 |
| S.22.027 | Output mapping parameter 27 | 0 (0.00.000) to 499999 (4.99.999) | 0 (0.00.000) | RW | 32 |
| S.22.028 | Output mapping parameter 28 | 0 (0.00.000) to 499999 (4.99.999) | 0 (0.00.000) | RW | 32 |
| S.22.029 | Output mapping parameter 29 | 0 (0.00.000) to 499999 (4.99.999) | 0 (0.00.000) | RW | 32 |
| S.22.030 | Output mapping parameter 30 | 0 (0.00.000) to 499999 (4.99.999) | 0 (0.00.000) | RW | 32 |
| S.22.031 | Output mapping parameter 31 | 0 (0.00.000) to 499999 (4.99.999) | 0 (0.00.000) | RW | 32 |
| S.22.032 | Output mapping parameter 32 | 0 (0.00.000) to 499999 (4.99.999) | 0 (0.00.000) | RW | 32 |

| |
|----------------------------|
| Safety Information |
| Introduction |
| Mechanical Installation |
| Electrical Installation |
| Getting started |
| Parameters |
| Key features and Protocols |
| PC Tools Applications |
| Security |
| Diagnostics |
| Glossary of terms |
| Index |

5.10.11 Menu 23 - EtherNet/IP Fault Values

Table 5-15 Menu 23 parameters

| Parameter | | Range | Default | Access | Size (Bits) |
|-----------------|-------------------------|---------------------------|---------|--------|-------------|
| S.23.000 | Parameter mm.000 | 0 to 65535 | | RW | 16 |
| S.23.001 | Output fault value 1 | -2147483648 to 2147483647 | 0 | RW | 32 |
| S.23.002 | Output fault value 2 | -2147483648 to 2147483647 | 0 | RW | 32 |
| S.23.003 | Output fault value 3 | -2147483648 to 2147483647 | 0 | RW | 32 |
| S.23.004 | Output fault value 4 | -2147483648 to 2147483647 | 0 | RW | 32 |
| S.23.005 | Output fault value 5 | -2147483648 to 2147483647 | 0 | RW | 32 |
| S.23.006 | Output fault value 6 | -2147483648 to 2147483647 | 0 | RW | 32 |
| S.23.007 | Output fault value 7 | -2147483648 to 2147483647 | 0 | RW | 32 |
| S.23.008 | Output fault value 8 | -2147483648 to 2147483647 | 0 | RW | 32 |
| S.23.009 | Output fault value 9 | -2147483648 to 2147483647 | 0 | RW | 32 |
| S.23.010 | Output fault value 10 | -2147483648 to 2147483647 | 0 | RW | 32 |
| S.23.011 | Output fault value 11 | -2147483648 to 2147483647 | 0 | RW | 32 |
| S.23.012 | Output fault value 12 | -2147483648 to 2147483647 | 0 | RW | 32 |
| S.23.013 | Output fault value 13 | -2147483648 to 2147483647 | 0 | RW | 32 |
| S.23.014 | Output fault value 14 | -2147483648 to 2147483647 | 0 | RW | 32 |
| S.23.015 | Output fault value 15 | -2147483648 to 2147483647 | 0 | RW | 32 |
| S.23.016 | Output fault value 16 | -2147483648 to 2147483647 | 0 | RW | 32 |
| S.23.017 | Output fault value 17 | -2147483648 to 2147483647 | 0 | RW | 32 |
| S.23.018 | Output fault value 18 | -2147483648 to 2147483647 | 0 | RW | 32 |
| S.23.019 | Output fault value 19 | -2147483648 to 2147483647 | 0 | RW | 32 |
| S.23.020 | Output fault value 20 | -2147483648 to 2147483647 | 0 | RW | 32 |
| S.23.021 | Output fault value 21 | -2147483648 to 2147483647 | 0 | RW | 32 |
| S.23.022 | Output fault value 22 | -2147483648 to 2147483647 | 0 | RW | 32 |
| S.23.023 | Output fault value 23 | -2147483648 to 2147483647 | 0 | RW | 32 |
| S.23.024 | Output fault value 24 | -2147483648 to 2147483647 | 0 | RW | 32 |

| Parameter | | Range | Default | Access | Size (Bits) |
|-----------------|-----------------------|---------------------------|---------|--------|-------------|
| S.23.025 | Output fault value 25 | -2147483648 to 2147483647 | 0 | RW | 32 |
| S.23.026 | Output fault value 26 | -2147483648 to 2147483647 | 0 | RW | 32 |
| S.23.027 | Output fault value 27 | -2147483648 to 2147483647 | 0 | RW | 32 |
| S.23.028 | Output fault value 28 | -2147483648 to 2147483647 | 0 | RW | 32 |
| S.23.029 | Output fault value 29 | -2147483648 to 2147483647 | 0 | RW | 32 |
| S.23.030 | Output fault value 30 | -2147483648 to 2147483647 | 0 | RW | 32 |
| S.23.031 | Output fault value 31 | -2147483648 to 2147483647 | 0 | RW | 32 |
| S.23.032 | Output fault value 32 | -2147483648 to 2147483647 | 0 | RW | 32 |

| |
|----------------------------|
| Safety Information |
| Introduction |
| Mechanical Installation |
| Electrical Installation |
| Getting started |
| Parameters |
| Key features and Protocols |
| PC Tools Applications |
| Security |
| Diagnostics |
| Glossary of terms |
| Index |

6 Parameters

The Ethernet interface holds two parameter databases; the Ethernet interface internal parameter database and the host drive's parameter database.

The Ethernet interface internal parameters can be accessed from the drive's keypad, a user program in a MCi200/MCi210 option module, PC Tools applications software or a module in another slot of the drive. The notation **S.mm.ppp** is used to access these parameters where **S** is the slot number, **mm** is the menu number and **ppp** is the parameter number. For example, to access Pr **02.004** of a MCi210 installed in slot 2 of a drive from a module in slot 3, it will be accessed using Pr **2.02.004**.

The Ethernet interface will also hold a copy of the host drive's database. At power up, if the stored drive database is different to that of the drive, the Ethernet interface will upload the drive's database and overwrite the stored database. If the two databases match, the drive's database will not be uploaded.

A module that is powered up for the first time will not contain a drive database and therefore will perform a drive database upload.

6.1 Full parameter descriptions

6.1.1 Menu 0 - Module setup

| S.00.001 | Module ID | | |
|-----------------|--------------------|----------------|----------------|
| Minimum | 0 | Maximum | 65535 |
| Default | None | Units | None |
| Type | 16 Bit Volatile | Update Rate | Power-up write |
| Display Format | None | Decimal Places | 0 |
| Coding | RO, ND, NC, PT, BU | | |

The Module ID:

- Onboard Ethernet = 430
- SI-Ethernet option module = 433

| S.00.002 | Software Version | | |
|-----------------|----------------------------|----------------|-----------------------------------|
| Minimum | 0 (Display 00.00.00.00) | Maximum | 99999999 (Display 99.99.99.99) |
| Default | None | Units | None |
| Type | 32 Bit Volatile | Update Rate | Written on module initialization |
| Display Format | Version Number | Decimal Places | 0 |
| Coding | RO, ND, NC, PT | | |

Module firmware version in **ww.xx.yy.zz** format.

| S.00.003 | | Hardware Version | |
|-----------------|-----------------|-------------------------|----------------------------------|
| Minimum | 00.00 | Maximum | 99.99 |
| Default | None | Units | None |
| Type | 16 Bit Volatile | Update Rate | Written on module initialization |
| Display Format | None | Decimal Places | 2 |
| Coding | RO, ND, NC, PT | | |

The hardware version of the option module is in the format of **xx.yy**.

| S.00.004 | | Serial Number LS | |
|-----------------|-----------------|-------------------------|----------------|
| Minimum | 0 | Maximum | 99999999 |
| Default | None | Units | None |
| Type | 32 Bit Volatile | Update Rate | Power-up write |
| Display Format | Lead Zero Pad | Decimal Places | 0 |
| Coding | RO, ND, NC, PT | | |

The module serial number is available as a pair of 32-bit values where *Serial Number LS* (**S.00.004**) provides the least significant 8 decimal digits, and *Serial Number MS* (**S.00.005**) provides the most significant 8 decimal digits. The reconstructed serial number is ((**S.00.005** x 100000000) + **S.00.004**). For example serial number "0001234567898765" would be stored as **S.00.005** = 12345 and **S.00.004** = 67898765.

| S.00.005 | | Serial Number MS | |
|-----------------|-----------------|-------------------------|----------------|
| Minimum | 0 | Maximum | 99999999 |
| Default | None | Units | None |
| Type | 32 Bit Volatile | Update Rate | Power-up write |
| Display Format | None | Decimal Places | 0 |
| Coding | RO, ND, NC, PT | | |

See *Serial Number LS* (**S.00.004**)

| S.00.006 | | Status | |
|-----------------|-----------------------------------|----------------|-----------------------|
| Minimum | -2 (Display: Bootldr - Update) | Maximum | 3 (Display: Error) |
| Default | None | Units | None |
| Type | 8 Bit Volatile | Update Rate | Background |
| Display Format | Text | Decimal Places | 0 |
| Coding | RO, Txt, ND, NC, PT | | |

This parameter displays the current status of the module. All possible values are shown in the table overleaf.

| Value | Text | Description |
|-------|------------------|---|
| -2 | Bootldr - Update | The bootloader is performing a flash update. |
| -1 | Bootldr - Idle | The bootloader is idle. |
| 0 | Initializing | Module is currently initializing. |
| 1 | OK | Module has initialized and has found no errors. |
| 2 | Config | A configuration error has been detected. |
| 3 | Error | An error has occurred preventing the module from running correctly. |

| S.00.007 | | Reset | |
|----------------|----------------|----------------|---|
| Minimum | 0 (Off) | Maximum | 1 (On) |
| Default | 0 (Off) | Units | None |
| Type | 1 Bit Volatile | Update Rate | Read every 200 ms, Written to 0 on module initialization. |
| Display Format | Bit | Decimal Places | 0 |
| Coding | RW, NC | | |

When set, the Ethernet interface performs a warm reset. When the reset has been executed and the Ethernet interface is performing its initialization routines this parameter will be cleared to zero.

NOTE The drive, and any other modules installed to the drive, will not be affected by the reset.

| S.00.008 | | Default | |
|----------------|---------------------|----------------|---|
| Minimum | 0 (Display: Off) | Maximum | 1 (Display: On) |
| Default | 0 (Display: Off) | Units | None |
| Type | 1 Bit Volatile | Update Rate | Read every 200 ms, Written to 0 on module initialization. |
| Display Format | Bit | Decimal Places | 0 |
| Coding | RW, NC | | |

If set to "On" when the module is reset, this parameter will cause the Ethernet interface to return to its "Out of box configuration" and any settings changed will be returned to their default values. This will include any web page customisations, e-mail settings, etc. Following the default the module will set the parameter to "Off" and the module will reset.

Take care using this parameter as any configuration information will be irretrievably lost!

| S.00.009 | | Active Alarm Bits | |
|-----------------|---------------------------------|--------------------------|-------------------------------------|
| Minimum | 0 (Display:0000000000000000) | Maximum | 65535 (Display:1111111111111111) |
| Default | 0 (Display:0000000000000000) | Units | None |
| Type | 16 Bit Volatile | Update Rate | Background |
| Display Format | Binary | Decimal Places | 0 |
| Coding | RO, NC, BU | | |

| Bit | Alarm |
|------------|--------------|
| 0 | User Program |
| 1 | eCMP |
| 2 | Modbus |
| 3 | Ethernet/IP |
| 4 | Reserved |
| 5 | Filesystem |
| 6 | Too Hot |

| S.00.010 | | Active IP Address | |
|-----------------|------------------------------------|--------------------------|---|
| Minimum | -2147483648 (Display:128.0.0.0) | Maximum | 2147483647 (Display:127.255.255.255) |
| Default | 0 (Display: 0.0.0.0) | Units | None |
| Type | 32 Bit Volatile | Update Rate | Background |
| Display Format | IP address | Decimal Places | 0 |
| Coding | RO, NC, PT | | |

The module's active IP address.

6.1.2 Menu 2 - Ethernet configuration

| S.02.003 | | Network Status | |
|-----------------|------------------------------|-----------------------|------------------------|
| Minimum | 0 (Display: Initializing) | Maximum | 5 (Display: Active) |
| Default | None | Units | None |
| Type | 8 Bit Volatile | Update Rate | Written every second |
| Display Format | None | Decimal Places | 0 |
| Coding | RO, Txt, ND, NC, PT, BU | | |

| Value | Text | Description |
|--------------|------------------|---|
| 0 | Initializing | The network interface is being initialized |
| 1 | Links Down | No link connection has been detected on either of the Ethernet ports |
| 2 | DHCP In Progress | The module is attempting to obtain the IP address, subnet mask, default gateway and DNS server addresses from a DHCP server |
| 3 | No Address | The module does not have an IP address - either the user has not provided one manually or one could not be allocated via DHCP |
| 4 | Ready | The network interface has been successfully configured but no data is being received or transmitted |
| 5 | Active | The network interface is receiving or transmitting data |

This parameter indicates the status of the network that the module is connected to.

| S.02.004 | | Network Message Count | |
|-----------------|--------------------|------------------------------|----------------------|
| Minimum | 0 | Maximum | 65535 |
| Default | None | Units | Messages/s |
| Type | 16 Bit Volatile | Update Rate | Written every second |
| Display Format | None | Decimal Places | 0 |
| Coding | RO, ND, NC, PT, BU | | |

This parameter displays the number of frames that the module is transmitting and/or receiving every second.

| S.02.005 | | DHCP Enable | |
|-----------------|---------------------|--------------------|--------------------|
| Minimum | 0 (Display: Off) | Maximum | 1 (Display: On) |
| Default | 1 (Display: On) | Units | None |
| Type | 1 Bit User Save | Update Rate | Background read |
| Display Format | None | Decimal Places | 0 |
| Coding | RW, BU | | |

Controls whether or not the module will attempt to use a Dynamic Host Configuration Protocol (DHCP) server to obtain the IP address, subnet mask, default gateway and DNS servers.

When DHCP is enabled, the following parameters will become read-only immediately (no reset required):

- IP Address (**S.02.006**)
- Subnet Mask (**S.02.007**)
- Default Gateway (**S.02.008**)
- Primary DNS (**S.02.009**)
- Secondary DNS (**S.02.010**)

| S.02.006 | | IP Address | |
|-----------------|---------------------------------------|-------------------|---|
| Minimum | 0 (Display: 0.0.0.0) | Maximum | 4294967295 (Display:255.255.255.255) |
| Default | 3232235876 (Display:192.168.1.100) | Units | None |
| Type | 32 Bit User Save | Update Rate | DHCP enabled: write on event; DHCP disabled: read on reset |
| Display Format | IP Address | Decimal Places | 0 |
| Coding | RW, BU | | |

Controls and displays the IP address of the module.

If DHCP is enabled this parameter becomes read-only, and until an IP address is allocated to the module will display 0.0.0.0. If no DHCP server replies to the DHCP request within approximately 1 minute, then the Ethernet interface will automatically assign a link-local IP address in the range 169.254.0.0 to 169.254.255.255

If DHCP is disabled the module will initialize, on reset or power cycle, with the IP address stored for the parameter.

| S.02.007 | | Subnet Mask | |
|-----------------|---------------------------------------|--------------------|---|
| Minimum | 0 (Display: 0.0.0.0) | Maximum | 4294967295 (Display:255.255.255.255) |
| Default | 4294967040 (Display:255.255.255.0) | Units | None |
| Type | 32 Bit User Save | Update Rate | DHCP enabled: write on event; DHCP disabled: read on reset |
| Display Format | IP Address | Decimal Places | 0 |
| Coding | RW, BU | | |

Controls and displays the subnet mask of the module.

If DHCP is enabled this parameter becomes read-only, and until a subnet mask is allocated to the module will display 0.0.0.0.

If DHCP is disabled the module will initialize, on reset or power cycle, with the subnet mask stored for the parameter.

| S.02.008 | | Default Gateway | |
|-----------------|---------------------------------------|------------------------|---|
| Minimum | 0 (Display: 0.0.0.0) | Maximum | 4294967295 (Display:255.255.255.255) |
| Default | 3232236030 (Display:192.168.1.254) | Units | None |
| Type | 32 Bit User Save | Update Rate | DHCP enabled: write on event; DHCP disabled: read on reset |
| Display Format | IP Address | Decimal Places | 0 |
| Coding | RW, BU | | |

Controls and displays the default gateway of the module.

If DHCP is enabled this parameter becomes read-only, and until a default gateway is allocated to the module will display 0.0.0.0.

If DHCP is disabled the module will initialize, on reset or power cycle, with the default gateway stored for the parameter.

| S.02.009 | | Primary DNS | |
|-----------------|-------------------------|--------------------|--|
| Minimum | 0 (Display: 0.0.0.0) | Maximum | 4294967295 (Display:255.255.255.255) |
| Default | 0 (Display: 0.0.0.0) | Units | None |
| Type | 32 Bit User Save | Update Rate | DHCP enabled: write on event; DHCP disabled: read on reset |
| Display Format | IP Address | Decimal Places | 0 |
| Coding | RW, BU | | |

The module can use this IP address when it wishes to resolve the IP address for a domain name. This parameter performs the same function as *Secondary DNS (S.02.010)*, however the address specified in this parameter will be tried first. Only when this address is unsuccessful will the secondary DNS address be tried.

If DHCP is enabled this parameter becomes read-only, and until a primary DNS address is allocated to the module will display 0.0.0.0.

If DHCP is disabled the module will initialize, on reset or power cycle, with the primary DNS address stored for the parameter.

| S.02.010 | | Secondary DNS | |
|-----------------|-------------------------|----------------------|--|
| Minimum | 0 (Display: 0.0.0.0) | Maximum | 4294967295 (Display:255.255.255.255) |
| Default | 0 (Display: 0.0.0.0) | Units | None |
| Type | 32 Bit User Save | Update Rate | DHCP enabled: write on event; DHCP disabled: read on reset |
| Display Format | IP Address | Decimal Places | 0 |
| Coding | RW, BU | | |

The module can use this IP address when it wishes to resolve the IP address for a domain name. This parameter performs the same function as *Primary DNS (S.02.009)*, however the address specified in this parameter will be tried only when the primary DNS address is unsuccessful.

If DHCP is enabled this parameter becomes read-only, and until a secondary DNS address is allocated to the module will display 0.0.0.0.

If DHCP is disabled the module will initialize, on reset or power cycle, with the secondary DNS address stored for the parameter.

| S.02.011 | | MAC Address | |
|-----------------|-----------------------------|--------------------|---|
| Minimum | 0 (Display:000000000000) | Maximum | 281474976710655 (Display:FFFFFFFFFFFF) |
| Default | None | Units | None |
| Type | 64 bit volatile | Update Rate | Power-up write |
| Display Format | MAC Address | Decimal Places | 0 |
| Coding | RO, ND, NC, PT, BU | | |

The 48-bit MAC address of the module.

| S.02.020 | | Priority Protocol | |
|-----------------|----------------------|--------------------------|-----------------------------|
| Minimum | 0 (Display: None) | Maximum | 2 (Display: EtherNet/IP) |
| Default | 0 (Display: None) | Units | None |
| Type | 8 Bit User Save | Update Rate | Background read |
| Display Format | None | Decimal Places | 0 |
| Coding | RW, Txt, BU | | |

Selection of the fieldbus protocol to have priority over all other protocols.

| Value | Text | Description |
|--------------|-------------|-----------------------------------|
| 0 | None | All protocols have equal priority |
| 1 | Modbus TCP | Modbus TCP has highest priority |
| 2 | EtherNet/IP | EtherNet/IP has highest priority |

Enables selection of one fieldbus protocol to have priority over others. A tick period of 1 ms will be given to the highest priority fieldbus protocol, 5 ms to all other fieldbus protocols (equal priority).

If no fieldbus protocol has been selected to have priority over others, all protocols will have equal priority and a tick rate of 5 ms.

| S.02.021 | | Web Server Enable | |
|-----------------|---------------------|--------------------------|--------------------|
| Minimum | 0 (Display: Off) | Maximum | 1 (Display: On) |
| Default | 1 (Display: On) | Units | None |
| Type | 1 Bit User Save | Update Rate | Background read |
| Display Format | None | Decimal Places | 0 |
| Coding | RW, BU | | |

Controls the running of the web server on the module.

NOTE The web server functionality is available in firmware version V01.06.00.22 and onwards.

NOTE The web pages do not form part of the firmware download and must be downloaded as a separate action.

| S.02.022 | | Web Server Port | |
|-----------------|------------------|------------------------|--------------------------------------|
| Minimum | 0 | Maximum | 65535 |
| Default | 80 | Units | None |
| Type | 16 Bit User Save | Update Rate | Read on module reset and S.02.021=On |
| Display Format | None | Decimal Places | 0 |
| Coding | RW, BU | | |

The web server port. This value cannot be changed.

NOTE The web server functionality is available in firmware version V01.06.00.22 and onwards.

| S.02.024 | | Ethernet MTU | |
|-----------------|------------------|---------------------|----------------------|
| Minimum | 158 | Maximum | 1500 |
| Default | 1500 | Units | Bytes |
| Type | 16 Bit User Save | Update Rate | Read on module reset |
| Display Format | None | Decimal Places | 0 |
| Coding | RW, BU | | |

Specifies the MTU (Maximum Transmittable Unit) in bytes allowed by the Ethernet interface.

NOTE In some applications this value may be reduced to limit the length of the Ethernet message packet size in order to reduce the transmission time, however, if this value is reduced too much then this may result in some messages being corrupted.

| S.02.025 | | Gateway Mode | |
|-----------------|------------------------|---------------------|--------------------------------|
| Minimum | 0 (Display: Switch) | Maximum | 2 (Display: Strict Gateway) |
| Default | 0 (Display: Switch) | Units | None |
| Type | 8 Bit User Save | Update Rate | Read on module reset |
| Display Format | None | Decimal Places | 0 |
| Coding | RW, Txt, BU | | |

| Value | Text |
|-------|----------------|
| 0 | Switch |
| 1 | Gateway |
| 2 | Strict Gateway |

Specifies the operation mode of the gateway. By default the gateway is disabled and the switch operates in normal switch mode. By enabling the gateway mode all packets are filtered by the module and prioritized before being forwarded on. In strict mode the gateway will drop packets from unsupported protocols.

The following protocols are supported in Strict Gateway mode, all other frames will be discarded:

- Ethernet ARP (Address Resolution Protocol) used to resolve the network layer address (IP address) into a link layer address (MAC address).
- IGMP (Internet Group Management Protocol) used for establishing multicast group memberships.
- ICMP (Internet Control Message Protocol) used to send error messages such as device not available or service unavailable error messages.
- eCMP (Control Techniques' proprietary communication protocol).
- CT DIP (Control Techniques' proprietary discovery protocol).
- Modbus TCP/IP.
- BOOTP (Bootstrap Protocol) used to assign IP addresses from a configuration server.

NOTE VLAN must be enabled (**S.02.030** = On) if either gateway is selected.

| S.02.030 | VLAN Enable | | |
|-----------------|---------------------|----------------|----------------------|
| Minimum | 0 (Display: Off) | Maximum | 1 (Display: On) |
| Default | 0 (Display: Off) | Units | |
| Type | 1 Bit User Save | Update Rate | Read on module reset |
| Display Format | None | Decimal Places | 0 |
| Coding | RW | | |

Controls whether the module will use VLAN tagging.

When used in conjunction with *Drive VLAN ID* (**S.02.031**) network traffic from the interface will be tagged with the chosen VLAN identifier.

When default value for *Drive VLAN ID* (**S.02.031**) is set, enabling this parameter will add VLAN prioritisation to all packets, helping to ensure real-time packets are not delayed by those of lower priority. If disabled, prioritization will use the Diffserv field in IP traffic only, meaning non-IP traffic can still affect real-time IP traffic.

NOTE VLAN must be enabled if synchronous cyclic links are used.

| S.02.031 | Drive VLAN ID | | |
|-----------------|----------------------|----------------|--|
| Minimum | 0 | Maximum | 255 |
| Default | 0 | Units | None |
| Type | 8 Bit User Save | Update Rate | Read on module reset and S.02.030 = On |
| Display Format | None | Decimal Places | 0 |
| Coding | RW, BU | | |

Specifies the VLAN ID that the interface will be a member of. Any packets entering the switch without this VLAN ID will not be handled.

| S.02.034 | Drive Mode | | |
|-----------------|----------------------------|----------------|-----------------------------|
| Minimum | 0 (Display: Unidrive M) | Maximum | 1 (Display: Unidrive SP) |
| Default | 0 (Display: Unidrive M) | Units | None |
| Type | 8 Bit User Save | Update Rate | Read on module reset |
| Display Format | None | Decimal Places | 0 |
| Coding | RW, BU, Txt | | |

This parameter provides support for parameter decimal place compatibility with Unidrive SP when communicating over Modbus TCP/IP or EtherNet/IP.

The following table details the parameter operation.

| Value | Display | Description |
|--------------|----------------|---|
| 0 | Unidrive M | Values read or written are scaled correctly for the Unidrive M |
| 1 | Unidrive SP | Values read or written are scaled correctly for the Unidrive SP |

Setting this parameter to 1 (On) allows a Unidrive M600/M700/M702 to be used in place of a Unidrive SP when communicating over Modbus TCP/IP or EtherNet/IP without the need to change

the parameter scaling within the PLC or controller due to differences in the number of decimal places of parameters between the Unidrive SP and Unidrive M range of drives.

| S.02.035 | | Non cyclic enable | |
|-----------------|---------------------|--------------------------|--------------------|
| Minimum | 0 (Display: Off) | Maximum | 1 (Display: On) |
| Default | 0 (Display: Off) | Units | None |
| Type | 1 Bit User Save | Update Rate | Background |
| Display Format | None | Decimal Places | 0 |
| Coding | RW | | |

Enable the Non cyclic data transfer.

| S.02.036 | | Non cyclic base parameter | |
|-----------------|--------------------------|----------------------------------|------------------------------|
| Minimum | 0 (Display: 0.00.000) | Maximum | 59999 (Display: 0.59.999) |
| Default | 0 (Display: 0.00.000) | Units | |
| Type | 16 Bit User Save | Update Rate | Background |
| Display Format | Slot Menu Param | Decimal Places | 0 |
| Coding | RW, BU | | |

The value in this parameter points to the base address of a group of seven sequential parameters which are used for handling non cyclic data by user programs.

The following table illustrates the function of each of these parameters with the base parameter (**MM.PPP**) identified as **S.MM.PPP**.

| Parameter | Description |
|---------------------|---|
| S.MM.PPP | Base parameter - status (bits b15 to b8) and command (bits b7 to b0) information |
| S.MM.PPP + 1 | 2 nd parameter in sequence - Destination IP address (wwwxxx) |
| S.MM.PPP + 2 | 3 rd parameter in sequence - Destination IP address (yyzzz) |
| S.MM.PPP + 3 | 4 th parameter in sequence - target / source parameter address (SMM) |
| S.MM.PPP + 4 | 5 th parameter in sequence - target / source parameter address (PPP) |
| S.MM.PPP + 5 | 6 th parameter in sequence - target / source parameter value (LSW) or error code |
| S.MM.PPP + 6 | 7 th parameter in sequence - target / source parameter value (MSW) |

NOTE Each parameter must be at least 16 bits in size.

S.MM.PPP : Status and Command

This parameter contains the command code (bits b7 to b0) and status (bits b15 to b8) information.

Possible values for Status are:

| Value | Meaning | Description |
|-------|------------|---|
| 0 | IDLE | Idle. |
| 1 | READY | The parameter channel is ready to take command. |
| 2 | PROCESSING | Processing the command. |
| 3 | OK | The command processed successfully. |
| 4 | ERROR | Error is detected, detail will be found in the first parameter. |

Possible values for Command (bits b7 to b0) are:

| Value | Meaning | Description |
|-------|---------------|---|
| 0 | No Command | No command or Abort during a command process. |
| 1 | Check / Abort | Check if the status idle or abort from read or write command. |
| 2 | Read | Read one parameter. |
| 3 | Write | Write one parameter. |

S.MM.PPP + 1 : Destination IP address (wwwxxx)

This parameter is used to specify the first two octets (wwwxxx) of the destination IP address.

S.MM.PPP + 2 : Destination IP address (yyzzz)

This parameter is used to specify the last two octets (yyzzz) of the destination IP address.

NOTE The value 127.0.0.1 would access the current drive.

S.MM.PPP + 3 : Target / source parameter address (SMM)

This parameter specifies the slot number (S) and menu number (MM) of the target or source parameter.

S.MM.PPP + 4 : Target / source parameter address (PPP)

This parameter specifies the parameter number (PPP) of the target or source parameter.

S.MM.PPP + 5 : Parameter value (LSW) or error code

This parameter:

- Stores the least significant word of the value to be written to the destination parameter if the command is Write (2) or
- Stores the least significant word of the value read from the destination parameter if the command is read and the status is Done or
- The error code for the process if the status is Error

The following table list the possible error codes:

| Value | Meaning | Description |
|-------------|------------------|---|
| -1 | Address Type | The addressing type is not supported. |
| -2 | Timeout | A timeout occurred trying to access the specified item. |
| -3 | Access Denied | The requesting device does not have sufficient access rights. |
| -4 | Does not exist | The specified item does not exist. |
| -5 | Data Type | The data could not be converted from the specified type. |
| -6 | Failed Read | The value could not be read, reason unknown. |
| -7 | Failed Write | The value could not be written, reason unknown. |
| -8 | Not Readable | The data could not be read as the source does not allow read access. |
| -9 | Not Writeable | The data could not be written as the destination does not allow write access. |
| -10 | Over Range | The specified value is outside the suitable range for the item. |
| -11 | Request Invalid | The request contained invalid information. |
| -12 | Response Too Big | The response will not fit in the maximum response size. |
| -13 | Decimal Place | The decimal place information is invalid (i.e. out of range of allowed values for a write). |
| -14 | Invalid Param | Invalid parameter in the parameter channel. |
| -15 | Invalid CMD | Invalid command. |
| -16 | Invalid IP | Invalid IP address. |
| -17 | Unknown Error | An unknown error happens. |
| -18 to -128 | <i>Reserved</i> | <i>Reserved for future use.</i> |

S.MM.PPP + 6 : Parameter value (MSW)

This parameter:

- Stores the most significant word of the value to be written to the destination parameter if the command is Write (3) or
- Stores the most significant word of the value read from the destination parameter if the command is Read (2) and the status is OK (3)

6.1.3 Menu 9 – Resources

| S.09.001 | Cyclic Tx Links Free | | |
|----------------|----------------------|----------------|------------------|
| Minimum | 0 | Maximum | 255 |
| Default | None | Units | None |
| Type | 8 Bit Volatile | Update Rate | Background write |
| Display Format | None | Decimal Places | 0 |
| Coding | RO, ND, NC, PT, BU | | |

The number of available transmit cyclic links.

| S.09.002 | | Cyclic Rx Links Free | |
|-----------------|--------------------|-----------------------------|------------------|
| Minimum | 0 | Maximum | 255 |
| Default | None | Units | None |
| Type | 8 Bit Volatile | Update Rate | Background write |
| Display Format | None | Decimal Places | 0 |
| Coding | RO, ND, NC, PT, BU | | |

The number of available receive cyclic links.

| S.09.003 | | Fieldbus Links Free | |
|-----------------|--------------------|----------------------------|------------------|
| Minimum | 0 | Maximum | 255 |
| Default | None | Units | None |
| Type | 8 Bit Volatile | Update Rate | Background write |
| Display Format | None | Decimal Places | 0 |
| Coding | RO, ND, NC, PT, BU | | |

The number of available transmit / receive process images for fieldbus protocols such as Ethernet/IP.

| S.09.004 | | Cyclic Mappings Free | |
|-----------------|--------------------|-----------------------------|------------------|
| Minimum | 0 | Maximum | 255 |
| Default | None | Units | None |
| Type | 8 Bit Volatile | Update Rate | Background write |
| Display Format | None | Decimal Places | 0 |
| Coding | RO, ND, NC, PT, BU | | |

The number of available mappings in the system for use in cyclic links.

| S.09.008 | | Background cycles per second | |
|-----------------|--------------------|-------------------------------------|------------------|
| Minimum | 0 | Maximum | 65535 |
| Default | None | Units | None |
| Type | 16 Bit Volatile | Update Rate | Background write |
| Display Format | None | Decimal Places | 0 |
| Coding | RO, ND, NC, BU, PT | | |

The background task cycles per second represents the number of times per second the background task is currently executing. The background task is responsible for cyclic data exchange with the drive. With more cyclic data mapped the cycle rate of the task will decrease.

| S.09.010 | | Sync Task % Free | |
|-----------------|--------------------|-------------------------|------------------|
| Minimum | 0 | Maximum | 255 |
| Default | None | Units | % |
| Type | 8 Bit Volatile | Update Rate | Background write |
| Display Format | None | Decimal Places | 0 |
| Coding | RO, ND, NC, PT, BU | | |

Current resource available for the synchronous task.

| S.09.020 | | Sync Task Worst % Free | |
|-----------------|--------------------|-------------------------------|------------------|
| Minimum | 0 | Maximum | 255 |
| Default | None | Units | % |
| Type | 8 Bit Volatile | Update Rate | Background write |
| Display Format | None | Decimal Places | 0 |
| Coding | RO, ND, NC, PT, BU | | |

Worst case free resource of the synchronous task.

| S.09.030 | | PCB Temperature | |
|-----------------|----------------|------------------------|------------------|
| Minimum | -128 | Maximum | 127 |
| Default | None | Units | °C |
| Type | 8 Bit Volatile | Update Rate | Background write |
| Display Format | None | Decimal Places | 0 |
| Coding | RO, ND, NC, PT | | |

6.1.4 Menu 10 – Easy Mode Cyclic Data

The parameters specified here allow up to 3 transmit and 3 receive cyclic links to be configured. Each receive link can have its own timeout configured with an additional custom action.

For greater control advanced cyclic links can be configured using the cyclic link editor within Machine Control Studio.

NOTE The number of cyclic links is limited to a maximum of 2 when accessing the option module internal parameters (e.g. the PLC register menus 7x).

Base link parameters

| Link | Profile | Link No. | Src/Dest Par | Par Count | Type | IP Address | Rate |
|------|----------|----------|--------------|-----------|----------|------------|----------|
| Tx1 | S.10.010 | S.10.011 | S.10.012 | S.10.013 | S.10.14 | S.10.015* | S.10.016 |
| Tx2 | S.10.020 | S.10.021 | S.10.022 | S.10.023 | S.10.24 | S.10.025* | S.10.026 |
| Tx3 | S.10.030 | S.10.031 | S.10.032 | S.10.033 | S.10.34 | S.10.035* | S.10.036 |
| Rx1 | S.10.040 | S.10.041 | S.10.042 | S.10.043 | S.10.044 | n/a | n/a |
| Rx2 | S.10.050 | S.10.051 | S.10.052 | S.10.053 | S.10.054 | n/a | n/a |
| Rx3 | S.10.060 | S.10.061 | S.10.062 | S.10.063 | S.10.064 | n/a | n/a |

* Required if Type set to “unicast”

| S.10.001 | Easy Mode Enable | | |
|-----------------|-------------------------|----------------|--------------------|
| Minimum | 0 (Display: Off) | Maximum | 1 (Display: On) |
| Default | 1 (Display: On) | Units | None |
| Type | 1 Bit User Save | Update Rate | Background read |
| Display Format | None | Decimal Places | 0 |
| Coding | RW, BU | | |

This parameter is used to enable or disable the Easy Mode protocol interface.

| S.10.002 | Easy Mode Reset | | |
|-----------------|------------------------|----------------|--------------------|
| Minimum | 0 (Display: Off) | Maximum | 1 (Display: On) |
| Default | 0 (Display: Off) | Units | None |
| Type | 1 Bit Volatile | Update Rate | Background read |
| Display Format | None | Decimal Places | 0 |
| Coding | RW, NC | | |

This parameter is used to perform a warm reset of the Easy Mode protocol interface. When set and the protocol has reset, the parameter will be reset to zero (Off).

| S.10.003 | Easy Mode Default | | |
|-----------------|--------------------------|----------------|--------------------|
| Minimum | 0 (Display: Off) | Maximum | 1 (Display: On) |
| Default | 0 (Display: Off) | Units | None |
| Type | 1 Bit Volatile | Update Rate | Read on reset |
| Display Format | None | Decimal Places | 0 |
| Coding | RW, NC | | |

This parameter allows the protocol to be defaulted to factory settings. This includes all of the protocol features, configuration, mappings and stored objects.

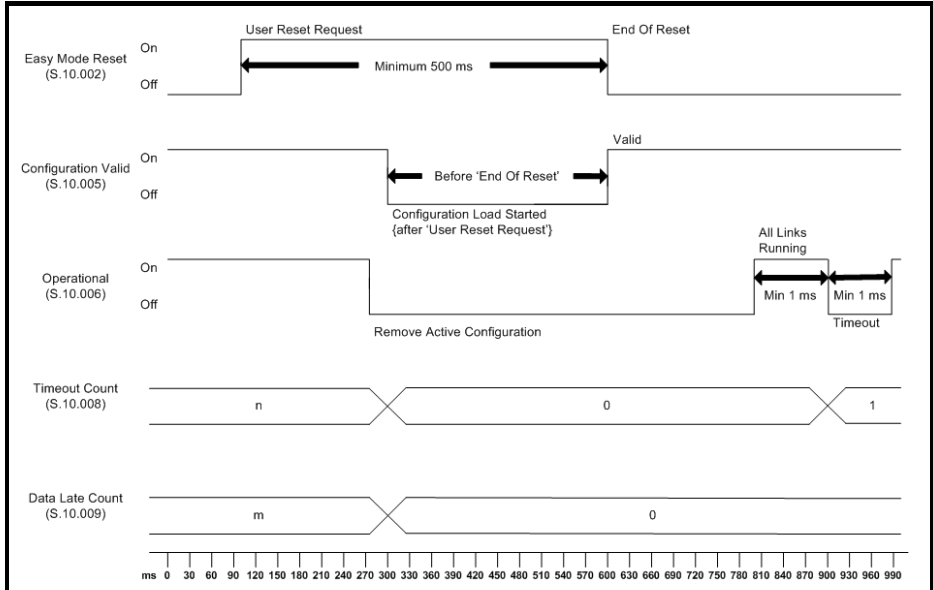
| S.10.004 | Cyclic Messages Per Second | | |
|-----------------|-----------------------------------|----------------|------------|
| Minimum | 0 | Maximum | 65535 |
| Default | None | Units | Messages/s |
| Type | 16 Bit Volatile | Update Rate | Background |
| Display Format | None | Decimal Places | 0 |
| Coding | RW, BU, PT, NC, ND | | |

This parameter displays the total number of cyclic (Rx and Tx) messages per second.

| S.10.005 | | Configuration Valid | |
|----------------|---------------------|---------------------|--------------------|
| Minimum | 0 (Display: Off) | Maximum | 1 (Display: On) |
| Default | None | Units | None |
| Type | 1 Bit Volatile | Update Rate | Read on reset |
| Display Format | None | Decimal Places | 0 |
| Coding | RO, PT, NC, ND | | |

If the active configuration identified by *Active Configuration (S.10.007)* has no configuration errors then the configuration is valid and this parameter will be set to 1 (On).

If the active configuration is Easy Mode, made effective through an *Easy Mode Reset (S.10.002)*; the *Configuration Valid (S.10.005)* value can be read once *Easy Mode Reset (S.10.002)* returns to Off as shown in the associated timing diagram.



If the active configuration is Offline, this represents a configuration via PC tools software.

| S.10.006 | | Operational | |
|----------------|---------------------|----------------|--------------------|
| Minimum | 0 (Display: Off) | Maximum | 1 (Display: On) |
| Default | None | Units | None |
| Type | 1 Bit Volatile | Update Rate | 1 ms |
| Display Format | None | Decimal Places | 0 |
| Coding | RO, PT, NC, ND | | |

This parameter provides an indication that all links in the active configuration are:

1. Receiving new messages successfully AND
2. Transmitting links; this however does not mean the destination devices are receiving the messages; this will be dependent on their own state.

A receive link timeout will cause this parameter to become cleared (Off) until a new message is received.

A single data late event will cause this parameter to be Off until the next cyclic message is received on time.

If low latency reactions to timeout and data late events are required then appropriate actions should be configured for the relevant links, see *Rx1 Timeout Action (S.10.046)*, *Rx2 Timeout Action (S.10.056)* or *Rx3 Timeout Action (S.10.066)* for further details.

| S.10.007 | | Active Configuration | |
|-----------------|-------------------------|-----------------------------|-------------------------|
| Minimum | 0 (Display: None) | Maximum | 1 (Display: Offline) |
| Default | None | Units | None |
| Type | 8 Bit Volatile | Update Rate | Read on reset |
| Display Format | None | Decimal Places | 0 |
| Coding | RO, PT, NC, ND, Txt, BU | | |

Displays the active configuration source of cyclic data according to the following table.

RTMoE Active configuration values

| Value | Text | Description |
|--------------|-------------|--|
| 0 | None | No configuration is active |
| 1 | Easy Mode | Easy Mode configuration is active |
| 2 | Offline | Offline configuration from PC Tools software is active |

| S.10.008 | | Timeout Count | |
|-----------------|--------------------|----------------------|-------|
| Minimum | 0 | Maximum | 65535 |
| Default | None | Units | None |
| Type | 16 Bit Volatile | Update Rate | 1 ms |
| Display Format | None | Decimal Places | 0 |
| Coding | RO, PT, NC, ND, BU | | |

This parameter displays the total number of receive timeout events; each timeout event will increment the count by 1. The parameter value will wrap over to zero.

A receive timeout event occurs when no cyclic data packet is received within the time period specified in the relevant link number parameter *Rx1 Timeout Action (S.10.046)*, *Rx2 Timeout Action (S.10.056)* or *Rx3 Timeout Action (S.10.066)*.

A reset of the configuration will clear this count.

The count can be sampled by a user application in order to detect change since the last sample; this enables custom reaction to a timeout event occurring on any cyclic receive link which has a timeout value configured, irrespective of the timeout action for the link.

If a custom timeout reaction is required on a per-link basis then the link action must be chosen appropriately in *Rx1 Timeout Action (S.10.046)*, *Rx2 Timeout Action (S.10.056)* or *Rx3 Timeout Action (S.10.066)*; this could be Clear Output to write zero to all of the cyclic parameters and implement monitoring code for this condition in the user application.

| S.10.009 | | Data Late Count | |
|-----------------|--------------------|------------------------|-------|
| Minimum | 0 | Maximum | 65535 |
| Default | None | Units | None |
| Type | 16 Bit Volatile | Update Rate | 1 ms |
| Display Format | None | Decimal Places | 0 |
| Coding | RO, PT, NC, ND, BU | | |

This parameter displays the total number of receive data late events; each data late event will increment the count by 1. The parameter value will wrap over to zero.

A data late event occurs when a cyclic data packet is received after the 'process at' time specified in the packet.

A reset of the configuration will clear this count.

The count can be sampled by a user application in order to detect change since the last sample; this enables custom reaction to a data late event occurring on a synchronous cyclic receive link which has a received a message containing a time that is now in the past irrespective the defined action for the link.

| S.10.010 | | Tx1 Link Profile | |
|-----------------|---------------------|-------------------------|----------------------|
| Minimum | 0 (Display: Std) | Maximum | 1 (Display: Sync) |
| Default | 0 (Display: Std) | Units | None |
| Type | 8 Bit User Save | Update Rate | Read on reset |
| Display Format | None | Decimal Places | 0 |
| Coding | RW, Txt | | |

| Value | Text | Description |
|--------------|-------------|--------------------|
| 0 | Std | Standard link |
| 1 | Sync | Synchronized link |

Used to select Tx1 as a standard or synchronous cyclic link.

| S.10.011 | | Tx1 Link Number | |
|-----------------|-----------------|------------------------|---------------|
| Minimum | 0 | Maximum | 255 |
| Default | 0 | Units | None |
| Type | 8 Bit User Save | Update Rate | Read on reset |
| Display Format | None | Decimal Places | 0 |
| Coding | RW, BU | | |

This parameter is used to set the link number (1 to 255) for the Tx1 link.

| S.10.012 | | Tx1 Source Parameter | |
|-----------------|-------------------------|-----------------------------|-------------------------------|
| Minimum | 0 (Display:0.00.000) | Maximum | 499999 (Display: 4.99.999) |
| Default | 0 (Display:0.00.000) | Units | None |
| Type | 32 Bit User Save | Update Rate | Read on reset |
| Display Format | Slot Menu Param | Decimal Places | 0 |
| Coding | RW, PT, BU | | |

This parameter sets the source parameter for the Tx1 link.

| S.10.013 | | Tx1 Parameter Count | |
|-----------------|-----------------|----------------------------|---------------|
| Minimum | 0 | Maximum | 10 |
| Default | 0 | Units | None |
| Type | 8 Bit User Save | Update Rate | Read on reset |
| Display Format | None | Decimal Places | 0 |
| Coding | RW, BU | | |

This parameter is used to set the number of contiguous parameters for the Tx1 link.

| S.10.014 | | Tx1 Transmission Type | |
|-----------------|-------------------------|------------------------------|------------------------------|
| Minimum | 0 (Display: Unicast) | Maximum | 11 (Display: Multicast10) |
| Default | 0 (Display: Unicast) | Units | None |
| Type | 8 Bit User Save | Update Rate | Read on reset |
| Display Format | None | Decimal Places | 0 |
| Coding | RW, Txt, BU | | |

| Value | Text | Description |
|-------|-------------|--|
| 0 | Unicast | Link is unicast to the IP address specified |
| 1 | Broadcast | Link is broadcast (255.255.255.255) |
| 2 | Multicast1 | Link is multicast to the IP address (239.255.0.1) |
| 3 | Multicast2 | Link is multicast to the IP address (239.255.0.2) |
| 4 | Multicast3 | Link is multicast to the IP address (239.255.0.3) |
| 5 | Multicast4 | Link is multicast to the IP address (239.255.0.4) |
| 6 | Multicast5 | Link is multicast to the IP address (239.255.0.5) |
| 7 | Multicast6 | Link is multicast to the IP address (239.255.0.6) |
| 8 | Multicast7 | Link is multicast to the IP address (239.255.0.7) |
| 9 | Multicast8 | Link is multicast to the IP address (239.255.0.8) |
| 10 | Multicast9 | Link is multicast to the IP address (239.255.0.9) |
| 11 | Multicast10 | Link is multicast to the IP address (239.255.0.10) |

This parameter specifies the type of transmission for the Tx1 link.

| S.10.015 | | Tx1 Destination Address | |
|-----------------|------------------------|--------------------------------|--|
| Minimum | 0 (Display:0.0.0.0) | Maximum | 4294967295 (Display: 255.255.255.255) |
| Default | 0 (Display:0.0.0.0) | Units | None |
| Type | 32 Bit User Save | Update Rate | Read on reset |
| Display Format | IP Address | Decimal Places | 0 |
| Coding | RW, BU | | |

This parameter specifies the IP address of the destination device for the Tx1 link. If *Tx1 Link Transmission Type* (**S.10.014**) is set to either broadcast or one of the multicast settings this parameter will display the appropriate address.

NOTE This parameter value is not locked and may be changed by the user, if this value is changed to any of the multicast addresses (Multicast1, Multicast2, Multicast3 or Multicast4) or the broadcast address then *Tx1 Link Transmission Type* (**S.10.014**) will indicate the appropriate setting.

| S.10.016 | | Tx1 Message Rate | |
|-----------------|-----------------|-------------------------|---------------|
| Minimum | 0 | Maximum | 100 |
| Default | 0 | Units | ms |
| Type | 8 Bit User Save | Update Rate | Read on reset |
| Display Format | None | Decimal Places | 0 |
| Coding | RW, BU | | |

Defines, in milliseconds, the rate at which Tx1 Link will be transmitted. A value of zero disables the transmission of data.

For synchronous links, to support the Advanced Machine Controller, only values of 1, 2, 4, 8, 16 or 32 are valid.

| S.10.019 | | Tx1 Link Status | |
|-----------------|----------------------------|------------------------|-------------------------|
| Minimum | -31 (Display: Disabled) | Maximum | 2 (Display: OK sync) |
| Default | None | Units | None |
| Type | 8 Bit Volatile | Update Rate | Write on reset |
| Display Format | None | Decimal Places | 0 |
| Coding | RO, Txt, ND, NC, PT | | |

| Value | Text | Description |
|--------------|------------------|--|
| -31 | Disabled | Easy Mode protocol is disabled or link number set to 0 |
| -30 | VLAN disabled | VLAN is required in order to guarantee timing in synchronous mode but it is disabled |
| -29 | Reserved 29 | Reserved for future use |
| -28 | Reserved 28 | Reserved for future use |
| -27 | Reserved 27 | Reserved for future use |
| -26 | Reserved 26 | Reserved for future use |
| -25 | Reserved 25 | Reserved for future use |
| -24 | Reserved 24 | Reserved for future use |
| -23 | Reserved 23 | Reserved for future use |
| -22 | Invalid DST IP | Destination IP address is invalid |
| -21 | SYNC unsupported | Sync link does not support mappings to other option parameters |
| -20 | MEC offset | Incorrect MEC offset |
| -19 | Invalid tx rate | Tx rate must be a factor of 1 second |
| -18 | Too many mapping | The number of mapping items exceeds the range supported |
| -17 | Link busy | The link specified is busy |
| -16 | Invalid profile | The profile is invalid |
| -15 | Invalid mapping | The mapped parameter does not exist |

| Value | Text | Description |
|-------|------------------|--|
| -14 | Read only param | The mapped parameter is read only |
| -13 | Msg mismatch | Link number and direction do not match |
| -12 | Msg too long | Resulting message is too long |
| -11 | Attrib NA | Attribute not available |
| -10 | Attrib RO | Attribute is read only |
| -9 | Attrib missing | Attribute is missing |
| -8 | Timeout | Timeout |
| -7 | In error | The specified link is in error state |
| -6 | Link num in use | The link number specified is already in use |
| -5 | Not editable | The link specified is not editable |
| -4 | Invalid link num | An invalid link number was specified |
| -3 | Invalid args | Link number / argument zero or invalid |
| -2 | Too many links | Maximum number of links has been reached |
| -1 | Out of memory | Failed to allocate memory |
| 0 | OK | Configuration of link successful |
| 1 | Not running | Ok, not running |
| 2 | OK sync | Configuration of synchronous link successful |

This reports the links status if it has been loaded. A *Easy Mode Reset (S.10.002)* is required to load any changes.

| S.10.020 | Tx2 Link Profile | | |
|----------------|---------------------|----------------|----------------------|
| Minimum | 0 (Display: Std) | Maximum | 1 (Display: Sync) |
| Default | 0 (Display: Std) | Units | None |
| Type | 8 Bit User Save | Update Rate | Read on reset |
| Display Format | None | Decimal Places | 0 |
| Coding | RW, Txt | | |

| Value | Text | Description |
|-------|------|-------------------|
| 0 | Std | Standard link |
| 1 | Sync | Synchronized link |

Used to select Tx2 as a standard or synchronous cyclic link.

| S.10.021 | | Tx2 Link Number | |
|-----------------|-----------------|------------------------|---------------|
| Minimum | 0 | Maximum | 255 |
| Default | 0 | Units | None |
| Type | 8 Bit User Save | Update Rate | Read on reset |
| Display Format | None | Decimal Places | 0 |
| Coding | RW, BU | | |

This parameter is used to set the link number (1 to 255) for the Tx2 link.

| S.10.022 | | Tx2 Source Parameter | |
|-----------------|--------------------------|-----------------------------|-------------------------------|
| Minimum | 0 (Display: 0.00.000) | Maximum | 499999 (Display: 4.99.999) |
| Default | 0 (Display: 0.00.000) | Units | None |
| Type | 32 Bit User Save | Update Rate | Read on reset |
| Display Format | Slot Menu Param | Decimal Places | 0 |
| Coding | RW, PT, BU | | |

This parameter sets the source parameter for the Tx2 link.

| S.10.023 | | Tx2 Parameter Count | |
|-----------------|-----------------|----------------------------|---------------|
| Minimum | 0 | Maximum | 10 |
| Default | 0 | Units | None |
| Type | 8 Bit User Save | Update Rate | Read on reset |
| Display Format | None | Decimal Places | 0 |
| Coding | RW, BU | | |

This parameter is used to set the number of contiguous parameters for the Tx2 link.

| S.10.024 | | Tx2 Transmission Type | |
|-----------------|-------------------------|------------------------------|------------------------------|
| Minimum | 0 (Display: Unicast) | Maximum | 11 (Display: Multicast10) |
| Default | 0 (Display: Unicast) | Units | None |
| Type | 8 Bit User Save | Update Rate | Read on reset |
| Display Format | None | Decimal Places | 0 |
| Coding | RW, Txt, BU | | |

| Value | Text | Description |
|-------|-------------|--|
| 0 | Unicast | Link is unicast to the IP address specified |
| 1 | Broadcast | Link is broadcast (255.255.255.255) |
| 2 | Multicast1 | Link is multicast to the IP address (239.255.0.1) |
| 3 | Multicast2 | Link is multicast to the IP address (239.255.0.2) |
| 4 | Multicast3 | Link is multicast to the IP address (239.255.0.3) |
| 5 | Multicast4 | Link is multicast to the IP address (239.255.0.4) |
| 6 | Multicast5 | Link is multicast to the IP address (239.255.0.5) |
| 7 | Multicast6 | Link is multicast to the IP address (239.255.0.6) |
| 8 | Multicast7 | Link is multicast to the IP address (239.255.0.7) |
| 9 | Multicast8 | Link is multicast to the IP address (239.255.0.8) |
| 10 | Multicast9 | Link is multicast to the IP address (239.255.0.9) |
| 11 | Multicast10 | Link is multicast to the IP address (239.255.0.10) |

This specifies the type of transmission for the Tx2 link.

| S.10.025 | | Tx2 Destination Address | |
|-----------------|------------------------|--------------------------------|--|
| Minimum | 0 (Display:0.0.0.0) | Maximum | 4294967295 (Display: 255.255.255.255) |
| Default | 0 (Display:0.0.0.0) | Units | None |
| Type | 32 Bit User Save | Update Rate | Read on reset |
| Display Format | IP Address | Decimal Places | 0 |
| Coding | RW, BU | | |

This parameter specifies the IP address of the destination device for the Tx2 link. If *Tx2 Link Transmission Type* (**S.10.024**) is set to either broadcast or one of the multicast settings this parameter will display the appropriate address.

NOTE This parameter value is not locked and may be changed by the user, if this value is changed to any of the multicast addresses (Multicast1, Multicast2 to Multicast10) or the broadcast address then *Tx2 Link Transmission Type* (**S.10.024**) will indicate the appropriate setting.

| S.10.026 | | Tx2 Message Rate | |
|-----------------|-----------------|-------------------------|---------------|
| Minimum | 0 | Maximum | 100 |
| Default | 0 | Units | ms |
| Type | 8 Bit User Save | Update Rate | Read on reset |
| Display Format | None | Decimal Places | 0 |
| Coding | RW, BU | | |

Defines, in milliseconds, the rate at which Tx2 Link will be transmitted. A value of zero disables the transmission of data.

For synchronous links, to support the Advanced Machine Controller, only values of 1, 2, 4, 8, 16 or 32 are valid

| S.10.029 | | Tx2 Link Status | |
|-----------------|----------------------------|------------------------|-------------------------|
| Minimum | -31 (Display: Disabled) | Maximum | 2 (Display: OK sync) |
| Default | None | Units | None |
| Type | 8 Bit Volatile | Update Rate | Write on reset |
| Display Format | None | Decimal Places | 0 |
| Coding | RO, Txt, NC, ND, PT | | |

| Value | Text | Description |
|--------------|------------------|--|
| -31 | Disabled | Easy Mode protocol is disabled or link number set to 0 |
| -30 | VLAN disabled | VLAN is required in order to guarantee timing in synchronous mode but it is disabled |
| -29 | Reserved 29 | Reserved for future use |
| -28 | Reserved 28 | Reserved for future use |
| -27 | Reserved 27 | Reserved for future use |
| -26 | Reserved 26 | Reserved for future use |
| -25 | Reserved 25 | Reserved for future use |
| -24 | Reserved 24 | Reserved for future use |
| -23 | Reserved 23 | Reserved for future use |
| -22 | Invalid DST IP | Destination IP address is invalid |
| -21 | SYNC unsupported | Sync link does not support mappings to other option parameters |
| -20 | MEC offset | Incorrect MEC offset |
| -19 | Invalid tx rate | Tx rate must be a factor of 1 second |
| -18 | Too many mapping | The number of mapping items exceeds the range supported |
| -17 | Link busy | The link specified is busy |
| -16 | Invalid profile | The profile is invalid |
| -15 | Invalid mapping | The mapped parameter does not exist |

| Value | Text | Description |
|-------|------------------|--|
| -14 | Read only param | The mapped parameter is read only |
| -13 | Msg mismatch | Link number and direction do not match |
| -12 | Msg too long | Resulting message is too long |
| -11 | Attrib NA | Attribute not available |
| -10 | Attrib RO | Attribute is read only |
| -9 | Attrib missing | Attribute is missing |
| -8 | Timeout | Timeout |
| -7 | In error | The specified link is in error state |
| -6 | Link num in use | The link number specified is already in use |
| -5 | Not editable | The link specified is not editable |
| -4 | Invalid link num | An invalid link number was specified |
| -3 | Invalid args | Link number / argument zero or invalid |
| -2 | Too many links | Maximum number of links has been reached |
| -1 | Out of memory | Failed to allocate memory |
| 0 | OK | Configuration of link successful |
| 1 | Not running | Ok, not running |
| 2 | OK sync | Configuration of synchronous link successful |

This parameter reports the link's status if it has been loaded. A *Easy Mode Reset (S.10.002)* is required to load any changes.

| S.10.030 | Tx3 Link Profile | | |
|----------------|---------------------|----------------|----------------------|
| Minimum | 0 (Display: Std) | Maximum | 1 (Display: Sync) |
| Default | 0 (Display: Std) | Units | None |
| Type | 8 Bit User Save | Update Rate | Read on reset |
| Display Format | None | Decimal Places | 0 |
| Coding | RW, Txt | | |

| Value | Text | Description |
|-------|------|-------------------|
| 0 | Std | Standard link |
| 1 | Sync | Synchronized link |

Used to select Tx3 as a standard or synchronous cyclic link.

| S.10.031 | | Tx3 Link Number | |
|-----------------|-----------------|------------------------|---------------|
| Minimum | 0 | Maximum | 255 |
| Default | 0 | Units | None |
| Type | 8 Bit User Save | Update Rate | Read on reset |
| Display Format | None | Decimal Places | 0 |
| Coding | RW, BU | | |

This parameter is used to set the link number (1 to 255) for the Tx3 link.

| S.10.032 | | Tx3 Source Parameter | |
|-----------------|--------------------------|-----------------------------|-------------------------------|
| Minimum | 0 (Display: 0.00.000) | Maximum | 499999 (Display: 4.99.999) |
| Default | 0 (Display: 0.00.000) | Units | None |
| Type | 32 Bit User Save | Update Rate | Read on reset |
| Display Format | Slot Menu Param | Decimal Places | 0 |
| Coding | RW, PT, BU | | |

This parameter sets the source parameter for the Tx3 link.

| S.10.033 | | Tx3 Parameter Count | |
|-----------------|-----------------|----------------------------|---------------|
| Minimum | 0 | Maximum | 10 |
| Default | 0 | Units | None |
| Type | 8 Bit User Save | Update Rate | Read on reset |
| Display Format | None | Decimal Places | 0 |
| Coding | RW, BU | | |

This parameter is used to set the number of contiguous parameters for the Tx3 link.

| S.10.034 | | Tx3 Transmission Type | |
|-----------------|-------------------------|------------------------------|------------------------------|
| Minimum | 0 (Display: Unicast) | Maximum | 11 (Display: Multicast10) |
| Default | 0 (Display: Unicast) | Units | None |
| Type | 8 Bit User Save | Update Rate | Read on reset |
| Display Format | None | Decimal Places | 0 |
| Coding | RW, Txt, BU | | |

| Value | Text | Description |
|-------|-------------|--|
| 0 | Unicast | Link is unicast to the IP address specified |
| 1 | Broadcast | Link is broadcast (255.255.255.255) |
| 2 | Multicast1 | Link is multicast to the IP address (239.255.0.1) |
| 3 | Multicast2 | Link is multicast to the IP address (239.255.0.2) |
| 4 | Multicast3 | Link is multicast to the IP address (239.255.0.3) |
| 5 | Multicast4 | Link is multicast to the IP address (239.255.0.4) |
| 6 | Multicast5 | Link is multicast to the IP address (239.255.0.5) |
| 7 | Multicast6 | Link is multicast to the IP address (239.255.0.6) |
| 8 | Multicast7 | Link is multicast to the IP address (239.255.0.7) |
| 9 | Multicast8 | Link is multicast to the IP address (239.255.0.8) |
| 10 | Multicast9 | Link is multicast to the IP address (239.255.0.9) |
| 11 | Multicast10 | Link is multicast to the IP address (239.255.0.10) |

This parameter specifies the type of transmission for the Tx3 link.

| S.10.035 | | Tx3 Destination Address | |
|-----------------|------------------------|--------------------------------|--|
| Minimum | 0 (Display:0.0.0.0) | Maximum | 4294967295 (Display: 255.255.255.255) |
| Default | 0 (Display:0.0.0.0) | Units | None |
| Type | 32 Bit User Save | Update Rate | Read on reset |
| Display Format | IP Address | Decimal Places | 0 |
| Coding | RW, BU | | |

This parameter specifies the IP address of the destination device for the Tx3 link. If *Tx3 Link Transmission Type* (**S.10.034**) is set to either broadcast or one of the multicast settings this parameter will display the appropriate address.

NOTE This parameter value is not locked and may be changed by the user, if this value is changed to any of the multicast addresses (Multicast1, Multicast2 to Multicast10) or the broadcast address then *Tx3 Link Transmission Type* (**S.10.034**) will indicate the appropriate setting.

| S.10.036 | | Tx3 Message Rate | |
|-----------------|-----------------|-------------------------|---------------|
| Minimum | 0 | Maximum | 100 |
| Default | 0 | Units | ms |
| Type | 8 Bit User Save | Update Rate | Read on reset |
| Display Format | None | Decimal Places | 0 |
| Coding | RW, BU | | |

Defines, in milliseconds, the rate at which Tx3 Link will be transmitted. A value of zero disables the transmission of data.

For synchronous links, to support the Advanced Machine Controller, only values of 1, 2, 4, 8, 16 or 32 are valid

| S.10.039 | | Tx3 Link Status | |
|-----------------|----------------------------|------------------------|-------------------------|
| Minimum | -31 (Display: Disabled) | Maximum | 2 (Display: OK sync) |
| Default | None | Units | None |
| Type | 8 Bit Volatile | Update Rate | Write on reset |
| Display Format | None | Decimal Places | 0 |
| Coding | RO, Txt, NC, ND, PT | | |

| Value | Text | Description |
|--------------|------------------|--|
| -31 | Disabled | Easy Mode protocol is disabled or link number set to 0 |
| -30 | VLAN disabled | VLAN is required in order to guarantee timing in synchronous mode but it is disabled |
| -29 | Reserved 29 | Reserved for future use |
| -28 | Reserved 28 | Reserved for future use |
| -27 | Reserved 27 | Reserved for future use |
| -26 | Reserved 26 | Reserved for future use |
| -25 | Reserved 25 | Reserved for future use |
| -24 | Reserved 24 | Reserved for future use |
| -23 | Reserved 23 | Reserved for future use |
| -22 | Invalid DST IP | Destination IP address is invalid |
| -21 | SYNC unsupported | Sync link does not support mappings to other option parameters |
| -20 | MEC offset | Incorrect MEC offset |
| -19 | Invalid tx rate | Tx rate must be a factor of 1 second |
| -18 | Too many mapping | The number of mapping items exceeds the range supported |
| -17 | Link busy | The link specified is busy |
| -16 | Invalid profile | The profile is invalid |

| Value | Text | Description |
|-------|------------------|--|
| -15 | Invalid mapping | The mapped parameter does not exist |
| -14 | Read only param | The mapped parameter is read only |
| -13 | Msg mismatch | Link number and direction do not match |
| -12 | Msg too long | Resulting message is too long |
| -11 | Attrib NA | Attribute not available |
| -10 | Attrib RO | Attribute is read only |
| -9 | Attrib missing | Attribute is missing |
| -8 | Timeout | Timeout |
| -7 | In error | The specified link is in error state |
| -6 | Link num in use | The link number specified is already in use |
| -5 | Not editable | The link specified is not editable |
| -4 | Invalid link num | An invalid link number was specified |
| -3 | Invalid args | Link number / argument zero or invalid |
| -2 | Too many links | Maximum number of links has been reached |
| -1 | Out of memory | Failed to allocate memory |
| 0 | OK | Configuration of link successful |
| 1 | Not running | Ok, not running |
| 2 | OK sync | Configuration of synchronous link successful |

This parameter reports the link's status if it has been loaded. A *Easy Mode Reset (S.10.002)* is required to load any changes.

| S.10.040 | | Rx1 Link Profile | |
|----------------|---------------------|------------------|----------------------|
| Minimum | 0 (Display: Std) | Maximum | 1 (Display: Sync) |
| Default | 0 (Display: Std) | Units | None |
| Type | 8 Bit User Save | Update Rate | Read on reset |
| Display Format | None | Decimal Places | 0 |
| Coding | RW, Txt | | |

| Value | Text | Description |
|-------|------|-------------------|
| 0 | Std | Standard link |
| 1 | Sync | Synchronized link |

Used to select Rx1 as a standard or synchronous cyclic link.

| S.10.041 | | Rx1 Link Number | |
|-----------------|-----------------|------------------------|---------------|
| Minimum | 0 | Maximum | 255 |
| Default | 0 | Units | None |
| Type | 8 Bit User Save | Update Rate | Read on reset |
| Display Format | None | Decimal Places | 0 |
| Coding | RW, BU | | |

This parameter is used to set the link number (1 to 255) for the Rx1 link.

| S.10.042 | | Rx1 Destination Parameter | |
|-----------------|--------------------------|----------------------------------|-------------------------------|
| Minimum | 0 (Display: 0.00.000) | Maximum | 499999 (Display: 4.99.999) |
| Default | 0 (Display: 0.00.000) | Units | None |
| Type | 32 Bit User Save | Update Rate | Read on reset |
| Display Format | Slot Menu Param | Decimal Places | 0 |
| Coding | RW, BU | | |

This parameter sets the destination parameter for the Rx1 link.

| S.10.043 | | Rx1 Parameter Count | |
|-----------------|-----------------|----------------------------|---------------|
| Minimum | 0 | Maximum | 10 |
| Default | 0 | Units | None |
| Type | 8 Bit User Save | Update Rate | Read on reset |
| Display Format | None | Decimal Places | 0 |
| Coding | RW, BU | | |

This parameter is used to set the number of contiguous parameters for the Rx1 link.

| S.10.044 | | Rx1 Source Type | |
|-----------------|-------------------------|------------------------|------------------------------|
| Minimum | 0 (Display: Unicast) | Maximum | 11 (Display: Multicast10) |
| Default | 0 (Display: Unicast) | Units | None |
| Type | 8 Bit User Save | Update Rate | Read on reset |
| Display Format | None | Decimal Places | 0 |
| Coding | RW, Txt, BU | | |

| Value | Text | Description |
|-------|-------------|--|
| 0 | Unicast | Link is unicast to the IP address specified |
| 1 | Broadcast | Link is broadcast (255.255.255.255) |
| 2 | Multicast1 | Link is multicast to the IP address (239.255.0.1) |
| 3 | Multicast2 | Link is multicast to the IP address (239.255.0.2) |
| 4 | Multicast3 | Link is multicast to the IP address (239.255.0.3) |
| 5 | Multicast4 | Link is multicast to the IP address (239.255.0.4) |
| 6 | Multicast5 | Link is multicast to the IP address (239.255.0.5) |
| 7 | Multicast6 | Link is multicast to the IP address (239.255.0.6) |
| 8 | Multicast7 | Link is multicast to the IP address (239.255.0.7) |
| 9 | Multicast8 | Link is multicast to the IP address (239.255.0.8) |
| 10 | Multicast9 | Link is multicast to the IP address (239.255.0.9) |
| 11 | Multicast10 | Link is multicast to the IP address (239.255.0.10) |

This specifies the type of transmission for the Rx1 link.

| S.10.045 | | Rx1 Timeout | |
|-----------------|------------------|--------------------|---------------|
| Minimum | 0 | Maximum | 65535 |
| Default | 100 | Units | ms |
| Type | 16 Bit User Save | Update Rate | Read on reset |
| Display Format | None | Decimal Places | 0 |
| Coding | RW, BU | | |

This parameter specifies the watchdog timer for the Rx1 link. If no cyclic data is received on the Rx1 link the action taken will be determined by the setting in *Rx1 Timeout Action* (**S.10.046**).

NOTE It is good system design to allow for some message loss by setting the timeout duration to be greater than the transmit period by a factor of 2 or more.

| S.10.046 | | Rx1 Timeout Action | |
|-----------------|----------------------|---------------------------|---------------------------|
| Minimum | 0 (Display: Trip) | Maximum | 2 (Display: Hold last) |
| Default | 0 (Display: Trip) | Units | None |
| Type | 8 Bit User Save | Update Rate | Read on reset |
| Display Format | None | Decimal Places | 0 |
| Coding | RW, Txt, BU | | |

| Value | Text | Description |
|--------------|--------------|---|
| 0 | Trip | Trip drive with Slx.Er and sub-trip code 106 (Cyclic Timeout) |
| 1 | Clear output | PLC output parameters will have their values set to zero |
| 2 | Hold last | Hold the last value in output parameters |

Defines the action to be taken for a timeout on the Rx1 link.

| S.10.047 | | Rx1 Timeout Event Dest | |
|-----------------|---------------------------|-------------------------------|------------------------|
| Minimum | 0 (Display: This slot) | Maximum | 4 (Display: Slot 4) |
| Default | 0 (Display: This slot) | Units | None |
| Type | 8 Bit User save | Update Rate | Read on reset |
| Display Format | None | Decimal Places | 0 |
| Coding | RW, Txt, BU | | |

| Value | Text | Description |
|--------------|-------------|-----------------------------------|
| 0 | This slot | Trigger module event in this slot |
| 1 | Slot 1 | Trigger module event in slot 1 |
| 2 | Slot 2 | Trigger module event in slot 2 |
| 3 | Slot 3 | Trigger module event in slot 3 |
| 4 | Slot 4 | Trigger module event in slot 4 |

This parameter defines the slot in which an event will occur if a cyclic data timeout occurs on the Rx1 link.

NOTE This feature is not yet implemented.

| S.10.048 | | Rx1 Timeout Event Type | |
|-----------------|--------------------------|-------------------------------|------------------------|
| Minimum | 0 (Display: No Event) | Maximum | 4 (Display: Event3) |
| Default | 0 (Display: No Event) | Units | None |
| Type | 8 Bit User save | Update Rate | Read on reset |
| Display Format | None | Decimal Places | 0 |
| Coding | RW, Txt, BU | | |

| Value | Text | Description |
|-------|----------|------------------------|
| 0 | No Event | No event |
| 1 | Event | Trigger module event |
| 2 | Event 1 | Trigger module event 1 |
| 3 | Event 2 | Trigger module event 2 |
| 4 | Event 3 | Trigger module event 3 |

Defines the event to trigger in the given destination, as specified in *Rx1 Timeout Event Destination (S.10.047)*, if a cyclic data timeout occurs on the Rx1 link.

NOTE This feature is not yet implemented.

| S.10.049 | | Rx1 Link Status | |
|-----------------|----------------------------|------------------------|-------------------------|
| Minimum | -31 (Display: Disabled) | Maximum | 2 (Display: OK sync) |
| Default | None | Units | None |
| Type | 8 Bit Volatile | Update Rate | Write on reset |
| Display Format | None | Decimal Places | 0 |
| Coding | RO, Txt, NC, ND, PT | | |

| Value | Text | Description |
|-------|---------------|--|
| -31 | Disabled | Easy Mode protocol is disabled or link number set to 0 |
| -30 | VLAN disabled | VLAN is required in order to guarantee timing in synchronous mode but it is disabled |
| -29 | Reserved 29 | Reserved for future use |
| -28 | Reserved 28 | Reserved for future use |
| -27 | Reserved 27 | Reserved for future use |
| -26 | Reserved 26 | Reserved for future use |
| -25 | Reserved 25 | Reserved for future use |
| -24 | Reserved 24 | Reserved for future use |
| -23 | Reserved 23 | Reserved for future use |

| Value | Text | Description |
|-------|------------------|--|
| -22 | Invalid DST IP | Destination IP address is invalid |
| -21 | SYNC unsupported | Sync link does not support mappings to other option parameters |
| -20 | MEC offset | Incorrect MEC offset |
| -19 | Invalid tx rate | Tx rate must be a factor of 1 second |
| -18 | Too many mapping | The number of mapping items exceeds the range supported |
| -17 | Link busy | The link specified is busy |
| -16 | Invalid profile | The profile is invalid |
| -15 | Invalid mapping | The mapped parameter does not exist |
| -14 | Read only param | The mapped parameter is read only |
| -13 | Msg mismatch | Link number and direction do not match |
| -12 | Msg too long | Resulting message is too long |
| -11 | Attrib NA | Attribute not available |
| -10 | Attrib RO | Attribute is read only |
| -9 | Attrib missing | Attribute is missing |
| -8 | Timeout | Timeout |
| -7 | In error | The specified link is in error state |
| -6 | Link num in use | The link number specified is already in use |
| -5 | Not editable | The link specified is not editable |
| -4 | Invalid link num | An invalid link number was specified |
| -3 | Invalid args | Link number / argument zero or invalid |
| -2 | Too many links | Maximum number of links has been reached |
| -1 | Out of memory | Failed to allocate memory |
| 0 | OK | Configuration of link successful |
| 1 | Not running | Ok, not running |
| 2 | OK sync | Configuration of synchronous link successful |

This parameter reports the link's status if it has been loaded. A *Easy Mode Reset (S.10.002)* is required to load any changes.

| S.10.050 | | Rx2 Link Profile | |
|-----------------|---------------------|-------------------------|----------------------|
| Minimum | 0 (Display: Std) | Maximum | 1 (Display: Sync) |
| Default | 0 (Display: Std) | Units | None |
| Type | 8 Bit User Save | Update Rate | Read on reset |
| Display Format | None | Decimal Places | 0 |
| Coding | RW, Txt | | |

| Value | Text | Description |
|-------|------|-------------------|
| 0 | Std | Standard link |
| 1 | Sync | Synchronized link |

Used to select Rx2 as a standard or synchronous cyclic link.

| S.10.051 | | Rx2 Link Number | |
|-----------------|-----------------|------------------------|---------------|
| Minimum | 0 | Maximum | 255 |
| Default | 0 | Units | None |
| Type | 8 Bit User Save | Update Rate | Read on reset |
| Display Format | None | Decimal Places | 0 |
| Coding | RW, BU | | |

This parameter is used to set the link number (1 to 255) for the Rx2 link.

| S.10.052 | | Rx2 Destination Parameter | |
|-----------------|--------------------------|----------------------------------|-------------------------------|
| Minimum | 0 (Display: 0.00.000) | Maximum | 499999 (Display: 4.99.999) |
| Default | 0 (Display: 0.00.000) | Units | None |
| Type | 32 Bit User Save | Update Rate | Read on reset |
| Display Format | Slot Menu Param | Decimal Places | 0 |
| Coding | RW, PT, BU | | |

This parameter sets the destination parameter for the Rx2 link.

| S.10.053 | | Rx2 Parameter Count | |
|-----------------|-----------------|----------------------------|---------------|
| Minimum | 0 | Maximum | 10 |
| Default | 0 | Units | None |
| Type | 8 Bit User Save | Update Rate | Read on reset |
| Display Format | None | Decimal Places | 0 |
| Coding | RW, BU | | |

This is used to set the number of contiguous parameters for the Rx2 link.

| S.10.054 | | Rx2 Source Type | |
|-----------------|-------------------------|------------------------|------------------------------|
| Minimum | 0 (Display: Unicast) | Maximum | 11 (Display: Multicast10) |
| Default | 0 (Display: Unicast) | Units | None |
| Type | 8 Bit User Save | Update Rate | Read on reset |
| Display Format | None | Decimal Places | 0 |
| Coding | RW, Txt, BU | | |

| Value | Text | Description |
|-------|-------------|--|
| 0 | Unicast | Link is unicast to the IP address specified |
| 1 | Broadcast | Link is broadcast (255.255.255.255) |
| 2 | Multicast1 | Link is multicast to the IP address (239.255.0.1) |
| 3 | Multicast2 | Link is multicast to the IP address (239.255.0.2) |
| 4 | Multicast3 | Link is multicast to the IP address (239.255.0.3) |
| 5 | Multicast4 | Link is multicast to the IP address (239.255.0.4) |
| 6 | Multicast5 | Link is multicast to the IP address (239.255.0.5) |
| 7 | Multicast6 | Link is multicast to the IP address (239.255.0.6) |
| 8 | Multicast7 | Link is multicast to the IP address (239.255.0.7) |
| 9 | Multicast8 | Link is multicast to the IP address (239.255.0.8) |
| 10 | Multicast9 | Link is multicast to the IP address (239.255.0.9) |
| 11 | Multicast10 | Link is multicast to the IP address (239.255.0.10) |

This parameter specifies the type of transmission for the Rx2 link.

| S.10.055 | | Rx2 Timeout | |
|-----------------|------------------|--------------------|---------------|
| Minimum | 0 | Maximum | 65535 |
| Default | 100 | Units | ms |
| Type | 16 Bit User Save | Update Rate | Read on reset |
| Display Format | None | Decimal Places | 0 |
| Coding | RW, BU | | |

This parameter specifies the watchdog timer for the Rx2 link. If no cyclic data is received on the Rx2 link the action taken will be determined by the setting in *Rx2 Timeout Action* (**S.10.056**).

NOTE It is good system design to allow for some message loss by setting the timeout duration to be greater than the transmit period by a factor of 2 or more.

| S.10.056 | | Rx2 Timeout Action | |
|-----------------|----------------------|---------------------------|---------------------------|
| Minimum | 0 (Display: Trip) | Maximum | 2 (Display: Hold last) |
| Default | 0 (Display: Trip) | Units | None |
| Type | 8 Bit User save | Update Rate | Read on reset |
| Display Format | None | Decimal Places | 0 |
| Coding | RW, Txt, BU | | |

| Value | Text | Description |
|-------|--------------|---|
| 0 | Trip | Trip drive with Slx.Er and sub-trip code 106 (Cyclic Timeout) |
| 1 | Clear output | PLC output parameters will have their values set to zero |
| 2 | Hold last | Hold the last value in output parameters |

Defines the action to be taken for a timeout on the Rx2 link.

| S.10.057 | | Rx2 Timeout Event Dest | |
|-----------------|---------------------------|-------------------------------|------------------------|
| Minimum | 0 (Display: This slot) | Maximum | 4 (Display: Slot 4) |
| Default | 0 (Display: This slot) | Units | None |
| Type | 8 Bit User save | Update Rate | Read on reset |
| Display Format | None | Decimal Places | 0 |
| Coding | RW, Txt, BU | | |

| Value | Text | Description |
|-------|-----------|-----------------------------------|
| 0 | This slot | Trigger module event in this slot |
| 1 | Slot 1 | Trigger module event in slot 1 |
| 2 | Slot 2 | Trigger module event in slot 2 |
| 3 | Slot 3 | Trigger module event in slot 3 |
| 4 | Slot 4 | Trigger module event in slot 4 |

This parameter defines the slot in which an event will occur if a cyclic data timeout occurs on the Rx2 link.

NOTE This feature is not yet implemented.

| S.10.058 | | Rx2 Timeout Event Type | |
|-----------------|--------------------------|-------------------------------|------------------------|
| Minimum | 0 (Display: No Event) | Maximum | 4 (Display: Event3) |
| Default | 0 (Display: No Event) | Units | None |
| Type | 8 Bit User save | Update Rate | Read on reset |
| Display Format | None | Decimal Places | 0 |
| Coding | RW, Txt, BU | | |

| Value | Text | Description |
|--------------|-------------|------------------------|
| 0 | No Event | No event |
| 1 | Event | Trigger module event |
| 2 | Event 1 | Trigger module event 1 |
| 3 | Event 2 | Trigger module event 2 |
| 4 | Event 3 | Trigger module event 3 |

Defines the event to trigger in the given destination, as specified in *Rx2 Timeout Event Destination (S.10.057)*, if a cyclic data timeout occurs on the Rx2 link.

NOTE This feature is not yet implemented.

| S.10.059 | | Rx2 Link Status | |
|-----------------|----------------------------|------------------------|-------------------------|
| Minimum | -31 (Display: Disabled) | Maximum | 2 (Display: OK sync) |
| Default | None | Units | None |
| Type | 8 Bit Volatile | Update Rate | Write on reset |
| Display Format | None | Decimal Places | 0 |
| Coding | RO, Txt, NC, ND, PT | | |

| Value | Text | Description |
|--------------|---------------|--|
| -31 | Disabled | Easy Mode protocol is disabled or link number set to 0 |
| -30 | VLAN disabled | VLAN is required in order to guarantee timing in synchronous mode but it is disabled |
| -29 | Reserved 29 | Reserved for future use |
| -28 | Reserved 28 | Reserved for future use |
| -27 | Reserved 27 | Reserved for future use |
| -26 | Reserved 26 | Reserved for future use |
| -25 | Reserved 25 | Reserved for future use |
| -24 | Reserved 24 | Reserved for future use |
| -23 | Reserved 23 | Reserved for future use |

| Value | Text | Description |
|-------|------------------|--|
| -22 | Invalid DST IP | Destination IP address is invalid |
| -21 | SYNC unsupported | Sync link does not support mappings to other option parameters |
| -20 | MEC offset | Incorrect MEC offset |
| -19 | Invalid tx rate | Tx rate must be a factor of 1 second |
| -18 | Too many mapping | The number of mapping items exceeds the range supported |
| -17 | Link busy | The link specified is busy |
| -16 | Invalid profile | The profile is invalid |
| -15 | Invalid mapping | The mapped parameter does not exist |
| -14 | Read only param | The mapped parameter is read only |
| -13 | Msg mismatch | Link number and direction do not match |
| -12 | Msg too long | Resulting message is too long |
| -11 | Attrib NA | Attribute not available |
| -10 | Attrib RO | Attribute is read only |
| -9 | Attrib missing | Attribute is missing |
| -8 | Timeout | Timeout |
| -7 | In error | The specified link is in error state |
| -6 | Link num in use | The link number specified is already in use |
| -5 | Not editable | The link specified is not editable |
| -4 | Invalid link num | An invalid link number was specified |
| -3 | Invalid args | Link number / argument zero or invalid |
| -2 | Too many links | Maximum number of links has been reached |
| -1 | Out of memory | Failed to allocate memory |
| 0 | OK | Configuration of link successful |
| 1 | Not running | Ok, not running |
| 2 | OK sync | Configuration of synchronous link successful |

This parameter reports the link's status if it has been loaded. A *Easy Mode Reset (S.10.002)* is required to load any changes.

| S.10.060 | | Rx3 Link Profile | |
|-----------------|---------------------|-------------------------|----------------------|
| Minimum | 0 (Display: Std) | Maximum | 1 (Display: Sync) |
| Default | 0 (Display: Std) | Units | None |
| Type | 8 Bit User Save | Update Rate | Read on reset |
| Display Format | None | Decimal Places | 0 |
| Coding | RW, Txt | | |

| Value | Text | Description |
|--------------|-------------|--------------------|
| 0 | Std | Standard link |
| 1 | Sync | Synchronized link |

Used to select Rx3 as a standard or synchronous cyclic link.

| S.10.061 | | Rx3 Link Number | |
|-----------------|-----------------|------------------------|---------------|
| Minimum | 0 | Maximum | 255 |
| Default | 0 | Units | None |
| Type | 8 Bit User Save | Update Rate | Read on reset |
| Display Format | None | Decimal Places | 0 |
| Coding | RW, BU | | |

This parameter is used to set the link number (1 to 255) for the Rx3 link.

| S.10.062 | | Rx3 Destination Parameter | |
|-----------------|--------------------------|----------------------------------|-------------------------------|
| Minimum | 0 (Display: 0.00.000) | Maximum | 499999 (Display: 4.99.999) |
| Default | 0 (Display: 0.00.000) | Units | None |
| Type | 32 Bit User Save | Update Rate | Read on reset |
| Display Format | Slot Menu Param | Decimal Places | 0 |
| Coding | RW, PT, BU | | |

This parameter sets the destination parameter for the Rx3 link.

| S.10.063 | | Rx3 Parameter Count | |
|-----------------|-----------------|----------------------------|---------------|
| Minimum | 0 | Maximum | 10 |
| Default | 0 | Units | None |
| Type | 8 Bit User Save | Update Rate | Read on reset |
| Display Format | None | Decimal Places | 0 |
| Coding | RW, BU | | |

This parameter is used to set the number of contiguous parameters for the Rx3 link.

| S.10.064 | | Rx3 Source Type | |
|-----------------|-------------------------|------------------------|------------------------------|
| Minimum | 0 (Display: Unicast) | Maximum | 11 (Display: Multicast10) |
| Default | 0 (Display: Unicast) | Units | None |
| Type | 8 Bit User Save | Update Rate | Read on reset |
| Display Format | None | Decimal Places | 0 |
| Coding | RW, Txt, BU | | |

| Value | Text | Description |
|-------|-------------|--|
| 0 | Unicast | Link is unicast to the IP address specified |
| 1 | Broadcast | Link is broadcast (255.255.255.255) |
| 2 | Multicast1 | Link is multicast to the IP address (239.255.0.1) |
| 3 | Multicast2 | Link is multicast to the IP address (239.255.0.2) |
| 4 | Multicast3 | Link is multicast to the IP address (239.255.0.3) |
| 5 | Multicast4 | Link is multicast to the IP address (239.255.0.4) |
| 6 | Multicast5 | Link is multicast to the IP address (239.255.0.5) |
| 7 | Multicast6 | Link is multicast to the IP address (239.255.0.6) |
| 8 | Multicast7 | Link is multicast to the IP address (239.255.0.7) |
| 9 | Multicast8 | Link is multicast to the IP address (239.255.0.8) |
| 10 | Multicast9 | Link is multicast to the IP address (239.255.0.9) |
| 11 | Multicast10 | Link is multicast to the IP address (239.255.0.10) |

This parameter specifies the type of transmission for the Rx3 link.

| S.10.065 | | Rx3 Timeout | |
|-----------------|------------------|--------------------|---------------|
| Minimum | 0 | Maximum | 65535 |
| Default | 100 | Units | ms |
| Type | 16 Bit User Save | Update Rate | Read on reset |
| Display Format | None | Decimal Places | 0 |
| Coding | RW, BU | | |

This parameter specifies the watchdog timer for the Rx3 link. If no cyclic data is received on the Rx3 link the action taken will be determined by the setting in *Rx3 Timeout Action* (**S.10.066**).

NOTE It is good system design to allow for some message loss by setting the timeout duration to be greater than the transmit period by a factor of 2 or more.

| S.10.066 | | Rx3 Timeout Action | |
|-----------------|----------------------|---------------------------|---------------------------|
| Minimum | 0 (Display: Trip) | Maximum | 2 (Display: Hold last) |
| Default | 0 (Display: Trip) | Units | None |
| Type | 8 Bit User Save | Update Rate | Read on reset |
| Display Format | None | Decimal Places | 0 |
| Coding | RW, Txt, BU | | |

| Value | Text | Description |
|--------------|--------------|---|
| 0 | Trip | Trip drive with Slx.Er and sub-trip code 106 (Cyclic Timeout) |
| 1 | Clear output | PLC output parameters will have their values set to zero |
| 2 | Hold last | Hold the last value in output parameters |

Defines the action to be taken for a timeout on the Rx3 link.

| S.10.067 | | Rx3 Timeout Event Dest | |
|-----------------|---------------------------|-------------------------------|------------------------|
| Minimum | 0 (Display: This slot) | Maximum | 4 (Display: Slot 4) |
| Default | 0 (Display: This slot) | Units | None |
| Type | 8 Bit User save | Update Rate | Read on reset |
| Display Format | None | Decimal Places | 0 |
| Coding | RW, Txt, BU | | |

| Value | Text | Description |
|--------------|-------------|-----------------------------------|
| 0 | This slot | Trigger module event in this slot |
| 1 | Slot 1 | Trigger module event in slot 1 |
| 2 | Slot 2 | Trigger module event in slot 2 |
| 3 | Slot 3 | Trigger module event in slot 3 |
| 4 | Slot 4 | Trigger module event in slot 4 |

This parameter defines the slot in which an event will occur if a cyclic data timeout occurs on the Rx3 link.

NOTE This feature is not yet implemented.

| S.10.068 | | Rx3 Timeout Event Type | |
|-----------------|--------------------------|-------------------------------|------------------------|
| Minimum | 0 (Display: No Event) | Maximum | 4 (Display: Event3) |
| Default | 0 (Display: No Event) | Units | None |
| Type | 8 Bit User save | Update Rate | Read on reset |
| Display Format | None | Decimal Places | 0 |
| Coding | RW, Txt, BU | | |

| Value | Text | Description |
|-------|----------|------------------------|
| 0 | No Event | No event |
| 1 | Event | Trigger module event |
| 2 | Event 1 | Trigger module event 1 |
| 3 | Event 2 | Trigger module event 2 |
| 4 | Event 3 | Trigger module event 3 |

Defines the event to trigger in the given destination, as specified in *Rx3 Timeout Event Destination (S.10.067)*, if a cyclic data timeout occurs on the Rx3 link.

NOTE This feature is not yet implemented.

| S.10.069 | | Rx3 Link Status | |
|-----------------|----------------------------|------------------------|-------------------------|
| Minimum | -31 (Display: Disabled) | Maximum | 2 (Display: OK sync) |
| Default | None | Units | None |
| Type | 8 Bit Volatile | Update Rate | Write on reset |
| Display Format | None | Decimal Places | 0 |
| Coding | RO, Txt, NC, ND, PT | | |

| Value | Text | Description |
|-------|----------------|--|
| -31 | Disabled | Easy Mode protocol is disabled or link number set to 0 |
| -30 | VLAN disabled | VLAN is required in order to guarantee timing in synchronous mode but it is disabled |
| -29 | Reserved 29 | Reserved for future use |
| -28 | Reserved 28 | Reserved for future use |
| -27 | Reserved 27 | Reserved for future use |
| -26 | Reserved 26 | Reserved for future use |
| -25 | Reserved 25 | Reserved for future use |
| -24 | Reserved 24 | Reserved for future use |
| -23 | Reserved 23 | Reserved for future use |
| -22 | Invalid DST IP | Destination IP address is invalid |

| Value | Text | Description |
|-------|------------------|--|
| -21 | SYNC unsupported | Sync link does not support mappings to other option parameters |
| -20 | MEC offset | Incorrect MEC offset |
| -19 | Invalid tx rate | Tx rate must be a factor of 1 second |
| -18 | Too many mapping | The number of mapping items exceeds the range supported |
| -17 | Link busy | The link specified is busy |
| -16 | Invalid profile | The profile is invalid |
| -15 | Invalid mapping | The mapped parameter does not exist |
| -14 | Read only param | The mapped parameter is read only |
| -13 | Msg mismatch | Link number and direction do not match |
| -12 | Msg too long | Resulting message is too long |
| -11 | Attrib NA | Attribute not available |
| -10 | Attrib RO | Attribute is read only |
| -9 | Attrib missing | Attribute is missing |
| -8 | Timeout | Timeout |
| -7 | In error | The specified link is in error state |
| -6 | Link num in use | The link number specified is already in use |
| -5 | Not editable | The link specified is not editable |
| -4 | Invalid link num | An invalid link number was specified |
| -3 | Invalid args | Link number / argument zero or invalid |
| -2 | Too many links | Maximum number of links has been reached |
| -1 | Out of memory | Failed to allocate memory |
| 0 | OK | Configuration of link successful |
| 1 | Not running | Ok, not running |
| 2 | OK sync | Configuration of synchronous link successful |

This parameter reports the link's status if it has been loaded. A *Easy Mode Reset (S.10.002)* is required to load any changes.

6.1.5 Menu 11 – Synchronization

| S.11.001 | | Preferred Sync Master | |
|-----------------|-----------------|------------------------------|---------------|
| Minimum | 0 | Maximum | 4 |
| Default | 1 | Units | None |
| Type | 8 Bit User Save | Update Rate | Read on reset |
| Display Format | None | Decimal Places | 0 |
| Coding | RW, BU | | |

This Ethernet interface will be preferred as the grandmaster over others with higher preferred values or none specified. A value of zero will ensure that the Ethernet interface will not become grandmaster (making the Ethernet interface act as an IEEE 1588 slave device only). If more than one Ethernet interface has the same preferred value only one will be chosen as the grandmaster using the IEEE 1588 BMC algorithm.

The parameter does not guarantee that the Ethernet interface will become grandmaster but a value of zero guarantees that the Ethernet interface will not become a grandmaster.

| S.11.002 | | Master Clock Domain | |
|-----------------|-----------------|----------------------------|---------------|
| Minimum | 0 | Maximum | 3 |
| Default | 0 | Units | |
| Type | 8 Bit User Save | Update Rate | Read on reset |
| Display Format | None | Decimal Places | 0 |
| Coding | RW, BU | | |

Specifies the clock domain for the Ethernet interface to act as a grandmaster clock.

| S.11.005 | | Grandmaster MAC Address | |
|-----------------|------------------------------|--------------------------------|---|
| Minimum | 0 (Display: 000000000000) | Maximum | 18446744073709551615 (Display: FFFFFFFF0000) |
| Default | None | Units | None |
| Type | 64 Bit Volatile | Update Rate | Background write |
| Display Format | MAC Address | Decimal Places | 0 |
| Coding | RO, ND, NC, PT, BU | | |

This parameter displays the MAC address, as a 64-bit hexadecimal value, of the synchronization grandmaster (if there is a grandmaster).

| S.11.006 | | Sync Jitter From Grandmaster | |
|-----------------|-----------------|-------------------------------------|---------------------|
| Minimum | -2147483648 | Maximum | 2147483647 |
| Default | None | Units | ns |
| Type | 32 Bit Volatile | Update Rate | Written every 500ms |
| Display Format | None | Decimal Places | 0 |
| Coding | RO, ND, NC, PT | | |

This parameter displays the synchronization jitter in nanoseconds. The value is filtered to be human readable.

| S.11.007 | | Sync Jitter Threshold | |
|-----------------|------------------|------------------------------|---------------|
| Minimum | 500 | Maximum | 1000000 |
| Default | 1000 | Units | ns |
| Type | 32 Bit User Save | Update Rate | Read on reset |
| Display Format | None | Decimal Places | 0 |
| Coding | RW, BU | | |

Sets the application tolerable clock jitter in ns from the grandmaster. If *Sync Jitter From Grandmaster* (S.11.006) is within the tolerance the local clock is used and *Module Synchronised Flag* (S.11.008) is set to 1 and synchronized cyclic data links will be processed.

| S.11.008 | | Module Sync Flag | |
|-----------------|---------------------|-------------------------|---------------------|
| Minimum | 0 (Display: Off) | Maximum | 1 (Display: On) |
| Default | 0 (Display: Off) | Units | None |
| Type | 1 Bit Volatile | Update Rate | Written every 10 ms |
| Display Format | None | Decimal Places | 0 |
| Coding | RO | | |

This parameter displays the module's synchronization status. 1 = Synchronized, 0 = Not synchronized.

| S.11.009 | | Inhibit Drive Synchronisation | |
|-----------------|---------------------|--------------------------------------|--------------------|
| Minimum | 0 (Display: Off) | Maximum | 1 (Display: On) |
| Default | 0 (Display: Off) | Units | None |
| Type | 1 Bit User Save | Update Rate | Immediate |
| Display Format | None | Decimal Places | 0 |
| Coding | RW | | |

This parameter controls whether the module synchronizes with the network grandmaster. A value of On inhibits this.

| S.11.010 | | PTP Date | |
|-----------------|--------------------------|-----------------|-------------------------------|
| Minimum | 0 (Display: 00-00-00) | Maximum | 311299 (Display: 31-12-99) |
| Default | None | Units | None |
| Type | 32 Bit Volatile | Update Rate | Written every 500 ms |
| Display Format | Date | Decimal Places | 0 |
| Coding | RO, ND, NC, PT, BU | | |

This parameter displays the current date. If the module has no time source it will display the date based on its power-up date of 1st January 1970.

| S.11.011 | | PTP Time | |
|-----------------|--------------------------|-----------------|-------------------------------|
| Minimum | 0 (Display: 00:00:00) | Maximum | 235959 (Display: 23:59:59) |
| Default | None | Units | None |
| Type | 32 Bit Volatile | Update Rate | Written every 500 ms |
| Display Format | Time | Decimal Places | 0 |
| Coding | RO, ND, NC, PT, BU | | |

This parameter displays the current time. If the module has no time source it will display the time based on its power-up time.

| S.11.015 | | PTP Delay Select | |
|-----------------|---------------------------|-------------------------|---------------------|
| Minimum | 1 (Display: PTP DELAY) | Maximum | 2 (Display: OFF) |
| Default | 1 (Display: PTP DELAY) | Units | None |
| Type | 8 Bit User Save | Update Rate | Read on reset |
| Display Format | None | Decimal Places | 0 |
| Coding | RW, Txt, BU | | |

This parameter can be used for synchronization of the Ethernet interface with the drive control loop.

When this parameter is set to 1 (PTP DELAY), the communication delay measurement mechanism is peer-to-peer (PTP), this mechanism provides not only the PTP event transmit time information, but also provides the correction for the propagation delay of the link connected to the port receiving the PTP event message.

When this parameter is set to 2 (OFF), the PTP messages are disabled, i.e. no PTP delay request messages will be responded to or initiated. This will prevent the Ethernet interface from synchronizing with the master.

It is recommended to set this parameter to 2 (OFF) when multiple SI-Ethernet modules or Unidrive M700 / M702 drives are connected in a "star" topology on an un-managed Ethernet switch. Un-managed Ethernet switches do not filter the PTP delay response messages, and instead, will broadcast these to all switch ports which can result in overloading the synchronization master.

| S.11.016 | | PTP Sync Rate | |
|-----------------|-----------------|----------------------|---------------|
| Minimum | -4 | Maximum | 0 |
| Default | -4 | Units | None |
| Type | 8 Bit User Save | Update Rate | Read on reset |
| Display Format | None | Decimal Places | 0 |
| Coding | RW | | |

This parameter controls the rate at which PTP Sync frames are sent. The message rate is determined by raising 2 to the power of this parameter. E.g the default value here of -4 results in sixteen sync messages per second ($2^4=16$).

| S.11.017 | | In sync window length | |
|-----------------|-----------------|------------------------------|---------------|
| Minimum | 3 | Maximum | 255 |
| Default | 20 | Units | Seconds |
| Type | 8 Bit User Save | Update Rate | Read on reset |
| Display Format | None | Decimal Places | 0 |
| Coding | RW, BU | | |

Duration that the jitter (*Synchronisation Jitter From Grandmaster (S.11.006)*) must be below the jitter threshold for before the in sync flag (*Module Synchronised Flag (S.11.008)*) is set.

For a system the duration depends upon the number of IEEE1588 capable master devices on the network. To use lower values here the number of devices which are capable of acting as a synchronization master must be kept as low as possible by setting *Preferred Sync Master (S.11.001)* to 0 on all interfaces except those which may be master.

| S.11.020 | | Network Error Count | |
|-----------------|--------------------|----------------------------|----------------------|
| Minimum | 0 | Maximum | 4294967295 |
| Default | None | Units | None |
| Type | 32 Bit Volatile | Update Rate | Written every 500 ms |
| Display Format | None | Decimal Places | 0 |
| Coding | RO, ND, NC, PT, BU | | |

The parameter displays a count of network errors since startup. It can be used as an indication of a problem.

| S.11.022 | | Interoption Sync Status | |
|-----------------|-------------------------|--------------------------------|-----------------------------|
| Minimum | 0 (Display: MASTER) | Maximum | 2 (Display: INDEPENDENT) |
| Default | 0 (Display: MASTER) | Units | None |
| Type | 8 Bit Volatile | Update Rate | Background |
| Display Format | None | Decimal Places | 0 |
| Coding | RO, Txt, ND, NC, PT, BU | | |

| Value | Text | Description |
|--------------|-------------|--|
| 0 | MASTER | The module is master but not producing |
| 1 | PRODUCER | The module is master and producing |
| 2 | INDEPENDENT | The module is not master |

This interface does not support Slave mode.

| S.11.030 | | Easy Mode Maximum Network Delay | |
|-----------------|-----------------|--|---------------|
| Minimum | 1 | Maximum | 100 |
| Default | 3 | Units | ms |
| Type | 8 Bit User Save | Update Rate | Read on reset |
| Display Format | None | Decimal Places | 0 |
| Coding | RW, BU | | |

This parameter defines the allowable network delay (in milliseconds) for the Easy Mode synchronous transmit cyclic links to arrive at their destination.

| S.11.040 | | Rx1 Late Sync Frame Action | |
|-----------------|----------------------|-----------------------------------|---------------------|
| Minimum | 1 (Display: Trip) | Maximum | 3 (Display: Use) |
| Default | 1 (Display: Trip) | Units | None |
| Type | 8 Bit User Save | Update Rate | Read on reset |
| Display Format | None | Decimal Places | 0 |
| Coding | RW, Txt, BU | | |

| Value | Text | Description |
|-------|------------|--|
| 1 | Trip | Trip drive with Six.Er and sub-trip code |
| 2 | Do not use | The data is ignored |
| 3 | Use | The data is used immediately |

This parameter defines the action to be taken when a late synchronized frame is received on the Rx1 link.

| S.11.041 | | Rx1 Late Sync Frame Dest | |
|-----------------|---------------------------|---------------------------------|------------------------|
| Minimum | 0 (Display: This slot) | Maximum | 4 (Display: Slot 4) |
| Default | 0 (Display: This slot) | Units | None |
| Type | 8 Bit User Save | Update Rate | Read on reset |
| Display Format | None | Decimal Places | 0 |
| Coding | RW, Txt, BU | | |

| Value | Text | Description |
|-------|-----------|-----------------------------------|
| 0 | This slot | Trigger module event in this slot |
| 1 | Slot 1 | Trigger module event in slot 1 |
| 2 | Slot 2 | Trigger module event in slot 2 |
| 3 | Slot 3 | Trigger module event in slot 3 |
| 4 | Slot 4 | Trigger module event in slot 4 |

Defines the destination (slot) to trigger the event when a late synchronized frame is received on the

Rx1 link.

NOTE This feature is not yet implemented.

| S.11.042 | | Rx1 Late Sync Frame Event | |
|-----------------|--------------------------|----------------------------------|------------------------|
| Minimum | 0 (Display: No Event) | Maximum | 4 (Display: Event3) |
| Default | 0 (Display: No Event) | Units | None |
| Type | 8 Bit User Save | Update Rate | Read on reset |
| Display Format | None | Decimal Places | 0 |
| Coding | RW, Txt, BU | | |

| Value | Text | Description |
|--------------|-------------|------------------------|
| 0 | No Event | No event |
| 1 | Event | Trigger module event |
| 2 | Event1 | Trigger module event 1 |
| 3 | Event2 | Trigger module event 2 |
| 4 | Event3 | Trigger module event 3 |

Defines the event number to trigger in the given destination (slot) when a late synchronized frame is received on the Rx1 link.

NOTE This feature is not yet implemented.

| S.11.050 | | Rx2 Late Sync Frame Action | |
|-----------------|----------------------|-----------------------------------|---------------------|
| Minimum | 1 (Display: Trip) | Maximum | 3 (Display: Use) |
| Default | 1 (Display: Trip) | Units | None |
| Type | 8 Bit User Save | Update Rate | Read on reset |
| Display Format | None | Decimal Places | 0 |
| Coding | RW, Txt, BU | | |

| Value | Text | Description |
|--------------|-------------|--|
| 1 | Trip | Trip drive with Slx.Er and sub-trip code 107 |
| 2 | Do not use | The data is ignored |
| 3 | Use | The data is used immediately |

This parameter defines the action to be taken when a late synchronized frame is received on the Rx2 link.

| S.11.051 | | Rx2 Late Sync Frame Dest | |
|-----------------|---------------------------|---------------------------------|------------------------|
| Minimum | 0 (Display: This slot) | Maximum | 4 (Display: Slot 4) |
| Default | 0 (Display: This slot) | Units | None |
| Type | 8 Bit User Save | Update Rate | Read on reset |
| Display Format | None | Decimal Places | 0 |
| Coding | RW, Txt, BU | | |

| Value | Text | Description |
|-------|-----------|-----------------------------------|
| 0 | This slot | Trigger module event in this slot |
| 1 | Slot 1 | Trigger module event in slot 1 |
| 2 | Slot 2 | Trigger module event in slot 2 |
| 3 | Slot 3 | Trigger module event in slot 3 |
| 4 | Slot 4 | Trigger module event in slot 4 |

Defines the destination (slot) to trigger the event when a late synchronized frame is received on the Rx2 link.

NOTE This feature is not yet implemented.

| S.11.052 | | Rx2 Late Sync Frame Event | |
|-----------------|--------------------------|----------------------------------|------------------------|
| Minimum | 0 (Display: No Event) | Maximum | 4 (Display: Event3) |
| Default | 0 (Display: No Event) | Units | None |
| Type | 8 Bit User Save | Update Rate | Read on reset |
| Display Format | None | Decimal Places | 0 |
| Coding | RW, Txt, BU | | |

| Value | Text | Description |
|-------|----------|------------------------|
| 0 | No Event | No event |
| 1 | Event | Trigger module event |
| 2 | Event1 | Trigger module event 1 |
| 3 | Event2 | Trigger module event 2 |
| 4 | Event3 | Trigger module event 3 |

Defines the event number to trigger in the given destination (slot) when a late synchronized frame is received on the Rx2 link.

NOTE This feature is not yet implemented.

| S.11.060 | | Rx3 Late Sync Frame Action | |
|-----------------|----------------------|-----------------------------------|---------------------|
| Minimum | 1 (Display: Trip) | Maximum | 3 (Display: Use) |
| Default | 1 (Display: Trip) | Units | None |
| Type | 8 Bit User Save | Update Rate | Read on reset |
| Display Format | None | Decimal Places | 0 |
| Coding | RW, Txt, BU | | |

| Value | Text | Description |
|--------------|-------------|--|
| 1 | Trip | Trip drive with Six.Er and sub-trip code 107 |
| 2 | Do not use | The data is ignored |
| 3 | Use | The data is used immediately |

This parameter defines the action to be taken when a late synchronized frame is received on the Rx3 link.

| S.11.061 | | Rx3 Late Sync Frame Dest | |
|-----------------|---------------------------|---------------------------------|------------------------|
| Minimum | 0 (Display: This slot) | Maximum | 4 (Display: Slot 4) |
| Default | 0 (Display: This slot) | Units | None |
| Type | 8 Bit User Save | Update Rate | Read on reset |
| Display Format | None | Decimal Places | 0 |
| Coding | RW, Txt, BU | | |

| Value | Text | Description |
|--------------|-------------|-----------------------------------|
| 0 | This slot | Trigger module event in this slot |
| 1 | Slot 1 | Trigger module event in slot 1 |
| 2 | Slot 2 | Trigger module event in slot 2 |
| 3 | Slot 3 | Trigger module event in slot 3 |
| 4 | Slot 4 | Trigger module event in slot 4 |

Defines the destination (slot) to trigger the event when a late synchronized frame is received on the Rx3 link.

NOTE This feature is not yet implemented.

| | | | |
|-----------------|--------------------------|----------------------------------|------------------------|
| S.11.062 | | Rx3 Late Sync Frame Event | |
| Minimum | 0 (Display: No Event) | Maximum | 4 (Display: Event3) |
| Default | 0 (Display: No Event) | Units | None |
| Type | 8 Bit User Save | Update Rate | Read on reset |
| Display Format | None | Decimal Places | 0 |
| Coding | RW, Txt, BU | | |

| Value | Text | Description |
|-------|----------|------------------------|
| 0 | No Event | No event |
| 1 | Event | Trigger module event |
| 2 | Event1 | Trigger module event 1 |
| 3 | Event2 | Trigger module event 2 |
| 4 | Event3 | Trigger module event 3 |

Defines the event number to trigger in the given destination (slot) when a late synchronized frame is received on the Rx3 link.

NOTE This feature is not yet implemented.

6.1.6 Menu 15 – Modbus

| | | | |
|-----------------|---------------------|----------------|--------------------|
| S.15.001 | | Enable | |
| Minimum | 0 (Display: Off) | Maximum | 1 (Display: On) |
| Default | 1 (Display: On) | Units | None |
| Type | 1 Bit User Save | Update Rate | Background read |
| Display Format | None | Decimal Places | 0 |
| Coding | RW, BU | | |

This parameter is used to enable or disable Modbus master and slave functionality.

| | | | |
|-----------------|---------------------|----------------|---|
| S.15.002 | | Reset | |
| Minimum | 0 (Display: Off) | Maximum | 1 (Display: On) |
| Default | 0 (Display: Off) | Units | None |
| Type | 1 Bit Volatile | Update Rate | Background read; written to 0 on initialization |
| Display Format | None | Decimal Places | 0 |
| Coding | RW, NC | | |

This parameter is used to perform a warm reset of the Modbus protocol interface. When set and the protocol has reset, the parameter will be reset to zero (Off).

| S.15.003 | | Default | |
|-----------------|---------------------|----------------|--|
| Minimum | 0 (Display: Off) | Maximum | 1 (Display: On) |
| Default | 0 (Display: Off) | Units | None |
| Type | 1 Bit Volatile | Update Rate | On module reset, protocol interface reset or protocol enable |
| Display Format | None | Decimal Places | 0 |
| Coding | RW, NC | | |

This parameter allows the Modbus protocol to be defaulted to factory settings. This includes all of the protocol features, configuration, mappings and stored objects.

| S.15.004 | | Modbus Config Error | |
|-----------------|--------------------------|----------------------------|---|
| Minimum | 0 (Display: No error) | Maximum | 3 (Display: Num Connections) |
| Default | None | Units | None |
| Type | 8 Bit Volatile | Update Rate | Module reset, Modbus interface reset or Modbus interface enable |
| Display Format | None | Decimal Places | 0 |
| Coding | RO, Txt, NC, ND, PT, BU | | |

| Value | Text | Description |
|--------------|-----------------|---|
| 0 | No error | No error |
| 1 | Port in use | Specified port is currently in use by another protocol |
| 2 | Timeout event | Timeout trigger event location is not valid |
| 3 | Num Connections | The Max priority connection is greater than the max connections |

This parameter will indicate any Modbus configuration errors.

| S.15.005 | | Modbus Listening Port | |
|-----------------|------------------|------------------------------|--|
| Minimum | 0 | Maximum | 65535 |
| Default | 502 | Units | None |
| Type | 16 Bit User Save | Update Rate | See Priority Protocol (S.02.020) |
| Display Format | None | Decimal Places | 0 |
| Coding | RW, BU | | |

This parameter can be changed from its default port of 502, however it is the user's responsibility to ensure that a valid port is set.

| S.15.006 | | Maximum Connections | |
|-----------------|-----------------|----------------------------|---|
| Minimum | 0 | Maximum | 4 |
| Default | 2 | Units | None |
| Type | 8 Bit User Save | Update Rate | Module reset, Modbus interface reset or Modbus interface enable |
| Display Format | None | Decimal Places | 0 |
| Coding | RW, BU | | |

This parameter permits the user to specify the total number of connections that one or more clients can open with the module at any one time.

| S.15.007 | | Maximum Priority Connections | |
|-----------------|-----------------|-------------------------------------|---|
| Minimum | 0 | Maximum | 4 |
| Default | 2 | Units | None |
| Type | 8 Bit User Save | Update Rate | Module reset, Modbus interface reset or Modbus interface enable |
| Display Format | None | Decimal Places | 0 |
| Coding | RW, BU | | |

This parameter defines how many of the maximum connections specified in *Maximum Connections* (**S.15.006**) can be configured as a priority connection. A connection is accepted into the priority connections pool if the client's IP address matches one of the values stored in parameters *Priority Connection 1* (**S.15.020**), *Priority Connection 2* (**S.15.021**), *Priority Connection 3* (**S.15.022**) or *Priority Connection 4* (**S.15.023**).

The priority connections are permanent and, once made will only be deleted at the request of the client or due to a communications error.

Any connections not in the priority connections pool are kept in the non-priority connections pool. If a client attempts to establish a priority connection and all available non-priority connections are in use, the non-priority connection that has not been used for the longest will be closed to make way for the new priority connection.

| S.15.008 | | Max Connections Per Client | |
|-----------------|-----------------|-----------------------------------|---|
| Minimum | 1 | Maximum | 4 |
| Default | 2 | Units | None |
| Type | 8 Bit User Save | Update Rate | Module reset, Modbus interface reset or Modbus interface enable |
| Display Format | None | Decimal Places | 0 |
| Coding | RW, BU | | |

This parameter defines the maximum number of priority connections that any one client can establish. This check is only performed on the connections in the priority connections pool.

| S.15.009 | | Modbus Timeout | |
|-----------------|------------------|-----------------------|---|
| Minimum | 1 | Maximum | 10000 |
| Default | 100 | Units | ms |
| Type | 16 Bit User Save | Update Rate | Module reset, Modbus interface reset or Modbus interface enable |
| Display Format | None | Decimal Places | 0 |
| Coding | RW, BU | | |

This parameter defines the time period in which the Modbus server must receive a message before any specified action (as defined in *Modbus Timeout Action (S.15.010)*) is performed. When the timeout occurs, bit 2 in the module's alarm parameter (*Active Alarm Bits (S.00.009)*) will be set and the specified action will be performed.

The timeout is enabled when the server receives its first message.

NOTE It is good system design to allow for some message loss by setting the timeout duration to be greater than the transmit period by a factor of 2 or more.

| S.15.010 | | Modbus Timeout Action | |
|-----------------|---------------------------|------------------------------|---|
| Minimum | 0 (Display: Trip) | Maximum | 1 (Display: No action) |
| Default | 1 (Display: No action) | Units | None |
| Type | 8 Bit User Save | Update Rate | Module reset, Modbus interface reset or Modbus interface enable |
| Display Format | None | Decimal Places | 0 |
| Coding | RW, Txt, BU | | |

| Value | Text | Description |
|--------------|-------------|----------------------------|
| 0 | Trip | Trip drive and raise error |
| 1 | No action | No action |

Defines the action when no message is received within the time period specified in *Modbus Timeout (S.15.009)*.

NOTE If a trip is enabled, this will be triggered by the PC Tools software (Unidrive M Connect, etc). upon scanning the network, or other Modbus masters (HMIs, PLCs etc). using acyclic read/write commands.

| S.15.011 | | Modbus Timeout Event Dest | |
|-----------------|---------------------------|----------------------------------|---|
| Minimum | 0 (Display: This slot) | Maximum | 4 (Display: Slot 4) |
| Default | 0 (Display: This slot) | Units | None |
| Type | 8 Bit User Save | Update Rate | Module reset, Modbus interface reset or Modbus interface enable |
| Display Format | None | Decimal Places | 0 |
| Coding | RW, Txt, BU | | |

| Value | Text | Description |
|-------|-----------|----------------------------|
| 0 | This slot | Trigger event in this slot |
| 1 | Slot 1 | Trigger event in slot 1 |
| 2 | Slot 2 | Trigger event in slot 2 |
| 3 | Slot 3 | Trigger event in slot 3 |
| 4 | Slot 4 | Trigger event in slot 4 |

Defines the destination slot to trigger the event (defined by *Modbus Timeout Event Type* (S.15.012)) when a timeout occurs.

NOTE This feature is not yet implemented.

| S.15.012 | | Modbus Timeout Event Type | |
|-----------------|--------------------------|----------------------------------|---|
| Minimum | 0 (Display: No event) | Maximum | 5 (Display: Trigger Event 4) |
| Default | 0 (Display: No event) | Units | None |
| Type | 8 Bit User Save | Update Rate | Module reset, Modbus interface reset or Modbus interface enable |
| Display Format | None | Decimal Places | 0 |
| Coding | RW, Txt, BU | | |

| Value | Text | Description |
|-------|-----------------|------------------------|
| 0 | No event | No event |
| 1 | Trigger Event | Trigger module Event |
| 2 | Trigger Event 1 | Trigger module Event 1 |
| 3 | Trigger Event 2 | Trigger module Event 2 |
| 4 | Trigger Event 3 | Trigger module Event 3 |
| 5 | Trigger Event 4 | Trigger module Event 4 |

Defines the event to trigger when a timeout occurs. *Modbus Timeout Event Destination* (S.15.011)

must specify an appropriate consumer (slot option) of the event.

NOTE This feature is not yet implemented.

| S.15.013 | | Modbus Register Addressing Mode | |
|-----------------|--------------------------|--|---|
| Minimum | 0 (Display: Standard) | Maximum | 1 (Display: Modified) |
| Default | 0 (Display: Standard) | Units | None |
| Type | 8 Bit User Save | Update Rate | Module reset, Modbus interface reset or Modbus interface enable |
| Display Format | None | Decimal Places | 0 |
| Coding | RW, Txt, BU | | |

| Value | Text | Description |
|--------------|-------------|---|
| 0 | Standard | $(mm \times 100) + ppp - mm \leq 162$ and $ppp \leq 99$ |
| 1 | Modified | $(mm \times 256) + ppp - mm \leq 63$ and $ppp \leq 255$ |

Specifies the Modbus register addressing mode.

The standard addressing mode allows menus up to 162 and parameters up to 99 to be accessed, for any parameter above 99, the modified addressing mode must be used, however, this mode limits the highest accessible menu number to 63.

| S.15.020 | | Priority Connection 1 | |
|-----------------|-------------------------|------------------------------|---|
| Minimum | 0 (Display: 0.0.0.0) | Maximum | 4294967295 (Display: 255.255.255.255) |
| Default | 0 (Display: 0.0.0.0) | Units | None |
| Type | 32 Bit User Save | Update Rate | Module reset, Modbus interface reset or Modbus interface enable |
| Display Format | IP Address | Decimal Places | 0 |
| Coding | RW, BU | | |

This parameter specifies an IP address for priority connection 1.

| S.15.021 | | Priority Connection 2 | |
|-----------------|-------------------------|------------------------------|---|
| Minimum | 0 (Display: 0.0.0.0) | Maximum | 4294967295 (Display: 255.255.255.255) |
| Default | 0 (Display: 0.0.0.0) | Units | None |
| Type | 32 Bit User Save | Update Rate | Module reset, Modbus interface reset or Modbus interface enable |
| Display Format | IP Address | Decimal Places | 0 |
| Coding | RW, BU | | |

This parameter specifies an IP address for priority connection 2.

| S.15.022 | | Priority Connection 3 | |
|-----------------|-------------------------|------------------------------|---|
| Minimum | 0 (Display: 0.0.0.0) | Maximum | 4294967295 (Display: 255.255.255.255) |
| Default | 0 (Display: 0.0.0.0) | Units | None |
| Type | 32 Bit User Save | Update Rate | Module reset, Modbus interface reset or Modbus interface enable |
| Display Format | IP Address | Decimal Places | 0 |
| Coding | RW, BU | | |

This parameter specifies an IP address for priority connection 3.

| S.15.023 | | Priority Connection 4 | |
|-----------------|-------------------------|------------------------------|---|
| Minimum | 0 (Display: 0.0.0.0) | Maximum | 4294967295 (Display: 255.255.255.255) |
| Default | 0 (Display: 0.0.0.0) | Units | None |
| Type | 32 Bit User Save | Update Rate | Module reset, Modbus interface reset or Modbus interface enable |
| Display Format | IP Address | Decimal Places | 0 |
| Coding | RW, BU | | |

This parameter specifies an IP address for priority connection 4.

6.1.7 Menu 20 – EtherNet/IP Set-up

The Ethernet interface supports the EtherNet/IP protocol and conforms to the EtherNet/IP adaptation of the Common Industrial Protocol (CIP) Specification. This is the same upper-layer protocol and object model as used in DeviceNet.

The Ethernet interface will operate as a slave device and the following functionality is supported.

- Variable length input assembly object (instance 100) with consistency for up to 32 parameters
- Variable length output assembly object (instance 101) with consistency for up to 32 parameters
- User selectable RPI timeout action
- Identity object (class 0x01)
- Motor data object (class 0x28)
- Control supervisor object (class 0x29)
- AC/DC Drive object (class 0x2A)
- Control Techniques objects (classes 0x64 to 0x69)
- Explicit (non-cyclic) access to parameters

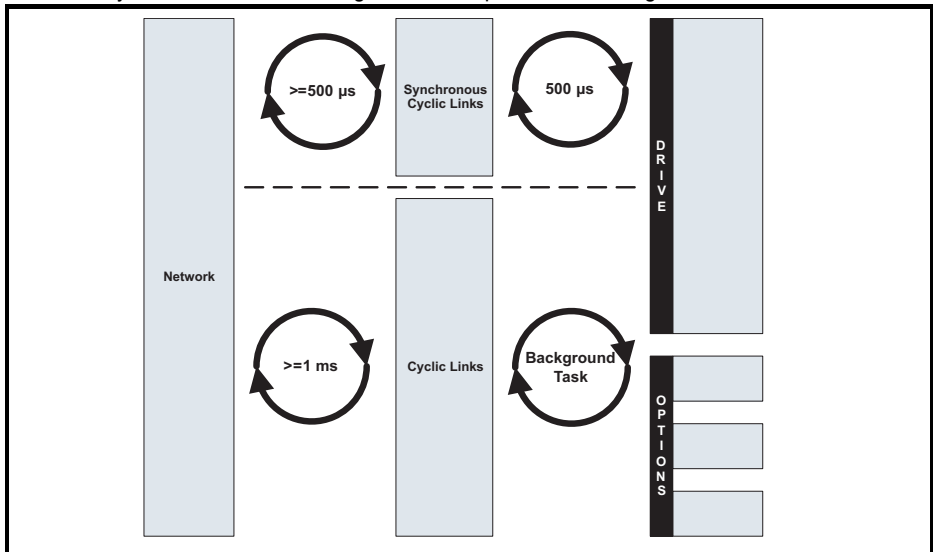
EtherNet/IP server port

The Ethernet interface uses the standard server port 44818 (0xAF12) for EtherNet/IP communications, this is fixed and cannot be changed.

Parameter Update Rate

Parameters are exchanged over the network. The value exchanged over the network must be exchanged with the drive or option parameter. The rate of data exchange differs for drive and option destinations.

The diagram below depicts the update cycles used within the Ethernet interface. CIP assembly mappings being exchanged with the drive will be updated at the background task rate. This rate (*Background cycles per second (S.09.008)*) varies with the load on the Ethernet interface; Easy Mode non-synchronized data exchange also takes place in the background task.



| S.20.001 | | Enable EtherNet/IP | |
|-----------------|---------------------|---------------------------|--------------------|
| Minimum | 0 (Display: Off) | Maximum | 1 (Display: On) |
| Default | 1 (Display: On) | Units | None |
| Type | 1 Bit User Save | Update Rate | Background read |
| Display Format | None | Decimal Places | 0 |
| Coding | RW, BU | | |

This parameter is used to enable or disable EtherNet/IP slave functionality.

NOTE If either *Input Assembly Object Size (S.20.020)* or *Output Assembly Object Size (S.20.021)* is a non zero value then the available mappings will still be consumed even if the Ethernet/IP functionality is disabled.

| S.20.002 | | Reset | |
|-----------------|---------------------|----------------|---|
| Minimum | 0 (Display: Off) | Maximum | 1 (Display: On) |
| Default | 0 (Display: Off) | Units | None |
| Type | 1 Bit Volatile | Update Rate | Background read; written to 0 on initialization |
| Display Format | None | Decimal Places | 0 |
| Coding | RW, NC | | |

This parameter is used to perform a warm reset of the protocol interface. When set and the protocol has reset, the parameter will be reset to zero (Off).

| S.20.003 | | Default | |
|-----------------|---------------------|----------------|--|
| Minimum | 0 (Display: Off) | Maximum | 1 (Display: On) |
| Default | 0 (Display: Off) | Units | None |
| Type | 1 Bit Volatile | Update Rate | On module reset, protocol interface reset or protocol enable |
| Display Format | None | Decimal Places | 0 |
| Coding | RW, NC | | |

This parameter allows the EtherNet/IP protocol to be defaulted to factory settings. This includes all of the protocol features, configuration, mappings and stored objects.

| S.20.004 | | Configuration error | |
|-----------------|--------------------------|----------------------------|----------------------------------|
| Minimum | 0 (Display: No error) | Maximum | 8 (Display: Out cons trig pr) |
| Default | None | Units | None |
| Type | 8 Bit Volatile | Update Rate | Background |
| Display Format | None | Decimal Places | 0 |
| Coding | RO, Txt, ND, NC, PT, BU | | |

| Value | Text | Description |
|--------------|------------------|--|
| 0 | No error | No error |
| 1 | RPI event dst | RPI timeout event destination not valid |
| 2 | RPI event type | RPI timeout event type not valid |
| 3 | IDLE event dst | PLC IDLE event destination not valid |
| 4 | IDLE event type | PLC IDLE event type not valid |
| 5 | Input mapping | Input mapping parameter not valid |
| 6 | Output mapping | Output mapping parameter not valid |
| 7 | In cons trig pr | Input consistency trigger parameter not valid |
| 8 | Out cons trig pr | Output consistency trigger parameter not valid |

This parameter is used to display the error code if an EtherNet/IP configuration error occurs.

| S.20.007 | | Cyclic Data Transfers / s | |
|-----------------|--------------------|----------------------------------|------------|
| Minimum | 0 | Maximum | 65535 |
| Default | None | Units | Messages/s |
| Type | 16 Bit Volatile | Update Rate | Background |
| Display Format | None | Decimal Places | 0 |
| Coding | RO, ND, NC, PT, BU | | |

This parameter shows the EtherNet/IP cyclic data transfer rate.

| S.20.011 | | RPI timeout action | |
|----------------|---------------------------|--------------------|---|
| Minimum | 0 (Display: Trip) | Maximum | 4 (Display: No Action) |
| Default | 3 (Display: Hold last) | Units | None |
| Type | 8 Bit User Save | Update Rate | Module reset, EtherNet/IP interface reset or EtherNet/IP interface enable |
| Display Format | None | Decimal Places | 0 |
| Coding | RW, Txt, BU | | |

| Value | Text | Description |
|-------|-----------------|--|
| 0 | Trip | Trip drive with Slx.Er and sub-trip code 101 |
| 1 | Send flt values | Send configured fault values to the output parameters |
| 2 | Clear output | PLC output parameters will have their values set to zero |
| 3 | Hold last | Hold the last value in output parameters |
| 4 | No Action | No action with output parameters |

This timeout is defined by the EtherNet/IP protocol and is configured in the PLC master. The interface will monitor the data traffic and if data is not received within the specified time, it will perform the requested action. This indicates that the interface has detected that the cyclic data communication has been interrupted.

Trip

On an RPI timeout the interface will cause a slot trip with sub trip value 101 (EtherNet/IP RPI Timeout).

Send Fault Values

On an RPI timeout the interface will not trip the drive. It will write the values specified in Fault Values menu (23) to the PLC output mappings for the assembly object 101 if active.

Clear Output

On an RPI timeout the interface will not trip the drive. It will write all PLC output mappings for the assembly object 101 if active to zero.

Hold Last

On an RPI timeout the interface will not trip the drive. The last value received will be maintained.

No Action

On an RPI timeout the interface will not trip the drive. The last value received will be maintained.

| S.20.012 | | RPI Timeout Event Dest | |
|-----------------|---------------------------|-------------------------------|---|
| Minimum | 0 (Display: This slot) | Maximum | 4 (Display: Slot 4) |
| Default | 0 (Display: This slot) | Units | None |
| Type | 8 Bit User Save | Update Rate | Module reset, EtherNet/IP interface reset or EtherNet/IP interface enable |
| Display Format | None | Decimal Places | 0 |
| Coding | RW, Txt, BU | | |

| Value | Text | Description |
|--------------|-------------|----------------------------|
| 0 | This slot | Trigger event in this slot |
| 1 | Slot 1 | Trigger event in slot 1 |
| 2 | Slot 2 | Trigger event in slot 2 |
| 3 | Slot 3 | Trigger event in slot 3 |
| 4 | Slot 4 | Trigger event in slot 4 |

This parameter defines the destination slot to trigger the event upon an RPI timeout.

NOTE This feature is not yet implemented.

| S.20.013 | | RPI timeout event type | |
|-----------------|--------------------------|-------------------------------|---|
| Minimum | 0 (Display: No event) | Maximum | 5 (Display: Trigger Event 4) |
| Default | 0 (Display: No event) | Units | None |
| Type | 8 Bit User Save | Update Rate | Module reset, EtherNet/IP interface reset or EtherNet/IP interface enable |
| Display Format | None | Decimal Places | 0 |
| Coding | RW, Txt, BU | | |

| Value | Text | Description |
|--------------|-----------------|------------------------|
| 0 | No event | No event |
| 1 | Trigger Event | Trigger module Event |
| 2 | Trigger Event 1 | Trigger module Event 1 |
| 3 | Trigger Event 2 | Trigger module Event 2 |
| 4 | Trigger Event 3 | Trigger module Event 3 |
| 5 | Trigger Event 4 | Trigger module Event 4 |

Defines the event to trigger in the specified destination (*RPI timeout event destination* (**S.20.012**)) upon an RPI timeout.

NOTE This feature is not yet implemented.

| S.20.015 | | PLC idle action | |
|-----------------|---------------------------|------------------------|---|
| Minimum | 0 (Display: Trip) | Maximum | 4 (Display: No Action) |
| Default | 4 (Display: No Action) | Units | None |
| Type | 8 Bit User Save | Update Rate | Module reset, EtherNet/IP interface reset or EtherNet/IP interface enable |
| Display Format | None | Decimal Places | 0 |
| Coding | RW, Txt, BU | | |

| Value | Text | Description |
|--------------|-----------------|--|
| 0 | Trip | Trip drive with Slx.Er and sub-trip code 116 |
| 1 | Send fit values | Send configured fault values to the output parameters |
| 2 | Clear output | PLC output parameters will have their values set to zero |
| 3 | Hold last | Hold the last value in output parameters |
| 4 | No Action | No action with output parameters |

This parameter defines the action to be taken upon a PLC idle event.

| S.20.016 | | PLC idle event destination | |
|-----------------|---------------------------|-----------------------------------|---|
| Minimum | 0 (Display: This slot) | Maximum | 4 (Display: Slot 4) |
| Default | 0 (Display: This slot) | Units | None |
| Type | 8 Bit User Save | Update Rate | Module reset, EtherNet/IP interface reset or EtherNet/IP interface enable |
| Display Format | None | Decimal Places | 0 |
| Coding | RW, Txt, BU | | |

| Value | Text | Description |
|--------------|-------------|----------------------------|
| 0 | This slot | Trigger event in this slot |
| 1 | Slot 1 | Trigger event in slot 1 |
| 2 | Slot 2 | Trigger event in slot 2 |
| 3 | Slot 3 | Trigger event in slot 3 |
| 4 | Slot 4 | Trigger event in slot 4 |

This parameter defines the destination slot to trigger the event upon a PLC idle event.

NOTE This feature is not yet implemented.

| |
|----------------------------|
| Safety Information |
| Introduction |
| Mechanical Installation |
| Electrical Installation |
| Getting started |
| Parameters |
| Key features and Protocols |
| PC Tools Applications |
| Security |
| Diagnostics |
| Glossary of terms |
| Index |

| S.20.017 | | PLC idle event type | |
|-----------------|--------------------------|----------------------------|---|
| Minimum | 0 (Display: No event) | Maximum | 5 (Display: Trigger Event 4) |
| Default | 0 (Display: No event) | Units | None |
| Type | 8 Bit User Save | Update Rate | Module reset, EtherNet/IP interface reset or EtherNet/IP interface enable |
| Display Format | None | Decimal Places | 0 |
| Coding | RW, Txt, BU | | |

| Value | Text | Description |
|--------------|-----------------|------------------------|
| 0 | No event | No event |
| 1 | Trigger Event | Trigger module Event |
| 2 | Trigger Event 1 | Trigger module Event 1 |
| 3 | Trigger Event 2 | Trigger module Event 2 |
| 4 | Trigger Event 3 | Trigger module Event 3 |
| 5 | Trigger Event 4 | Trigger module Event 4 |

Defines the event to trigger in the specified destination (*PLC idle event destination (S.20.016)*) upon a PLC idle event.

NOTE This feature is not yet implemented.

| S.20.018 | | Active input assembly object | |
|-----------------|------------------------------|-------------------------------------|---|
| Minimum | 0 (Display: 100-Primaryl) | Maximum | 4 (Display: 73-ExtSpdTqCtrl) |
| Default | 0 (Display: 100-Primaryl) | Units | None |
| Type | 8 Bit Volatile | Update Rate | Module reset, EtherNet/IP interface reset or EtherNet/IP interface enable |
| Display Format | None | Decimal Places | 0 |
| Coding | RO, Txt, NC, ND, PT, BU | | |

| Value | Text | Description |
|--------------|-----------------|--|
| 0 | 100-Primaryl | Primary input (100) |
| 1 | 70-BscSpdCtrl | Basic speed control input (70) |
| 2 | 71-ExtSpdCtrl | Extended speed control input (71) |
| 3 | 72-SpdTqCtrl | Speed and torque control input (72) |
| 4 | 73-ExtSpdTqCtrl | Extended speed and torque control input (73) |

This parameter defines and shows the required input assembly object.

| S.20.019 | | Active output assembly object | |
|-----------------|------------------------------|--------------------------------------|---|
| Minimum | 0 (Display: 101-PrimaryO) | Maximum | 4 (Display: 23-ExtSpdTqCtrlO) |
| Default | 0 (Display: 101-PrimaryO) | Units | None |
| Type | 8 Bit Volatile | Update Rate | Module reset, EtherNet/IP interface reset or EtherNet/IP interface enable |
| Display Format | None | Decimal Places | 0 |
| Coding | RO, Txt, NC, ND, PT, BU | | |

| Value | Text | Description |
|-------|------------------|---|
| 0 | 101-PrimaryO | Primary output (101) |
| 1 | 20-BscSpdCtrlO | Basic speed control output (20) |
| 2 | 21-ExtSpdCtrlO | Extended speed control output (21) |
| 3 | 22-SpdTqCtrlO | Speed and torque control output (22) |
| 4 | 23-ExtSpdTqCtrlO | Extended speed and torque control output (23) |

This parameter defines and shows the required output assembly object.

| S.20.020 | | Input assembly object size | |
|-----------------|-----------------|-----------------------------------|---|
| Minimum | 4 | Maximum | 128 |
| Default | 8 | Units | Bytes |
| Type | 8 Bit User Save | Update Rate | Module reset, EtherNet/IP interface reset or EtherNet/IP interface enable |
| Display Format | None | Decimal Places | 0 |
| Coding | RW, BU | | |

This parameter defines the size of the input assembly object (100).

| S.20.021 | | Output assembly object size | |
|-----------------|-----------------|------------------------------------|---|
| Minimum | 4 | Maximum | 128 |
| Default | 8 | Units | Bytes |
| Type | 8 Bit User Save | Update Rate | Module reset, EtherNet/IP interface reset or EtherNet/IP interface enable |
| Display Format | None | Decimal Places | 0 |
| Coding | RW, BU | | |

This parameter defines the size of the output assembly object (101).

| S.20.024 | | Input Assembly Object Process Time | |
|-----------------|--------------------|---|------------|
| Minimum | 0 | Maximum | 65535 |
| Default | None | Units | ms |
| Type | 16 Bit Volatile | Update Rate | Background |
| Display Format | None | Decimal Places | 0 |
| Coding | RO, ND, NC, PT, BU | | |

This is the time between getting the input value from the master and it being sent successfully to the drive.

| S.20.025 | | Output Assembly Object Process Time | |
|-----------------|--------------------|--|------------|
| Minimum | 0 | Maximum | 65535 |
| Default | None | Units | ms |
| Type | 16 Bit Volatile | Update Rate | Background |
| Display Format | None | Decimal Places | 0 |
| Coding | RO, ND, NC, PT, BU | | |

This is the time between getting the output value from the drive and it being sent successfully to the master.

| S.20.026 | | In Consistency Enable | |
|-----------------|---------------------|------------------------------|---|
| Minimum | 0 (Display: Off) | Maximum | 1 (Display: On) |
| Default | 0 (Display: Off) | Units | None |
| Type | 1 Bit User Save | Update Rate | Module reset, EtherNet/IP interface reset or EtherNet/IP interface enable |
| Display Format | None | Decimal Places | 0 |
| Coding | RW | | |

This parameter allows for enabling and disabling input assembly object consistency.

Under normal conditions, cyclic data is sampled and transmitted at the Requested Packet Interval (RPI). However, if an option module was in the process of modifying the mapped parameters while these parameters were being sampled, then the data transmitted across the network may not be consistent across the entire assembly object. If read consistency is enabled (and a trigger parameter specified in *In Consistency Trigger Param (S.20.027)*) then data will only be sampled and transmitted to the PLC or EtherNet/IP master when the trigger parameter contains a non-zero value. This trigger parameter will then be set to zero after the data has been transmitted.

It is therefore possible, by controlling the trigger parameters, that a user program in the drive or option module can ensure that the values in the cyclic data parameters are not sampled until all values are updated.

Whether consistency is enabled or not, data will always be consistent for an individual parameter, i.e. all 4 bytes of a 32 bit value will be consistent.

NOTE If read consistency is enabled, then at reset or at power-up, the value in the trigger parameter is set to zero.

| S.20.027 | | In Consistency Trigger Param | |
|-----------------|--------------------------|-------------------------------------|---|
| Minimum | 0 (Display: 0.00.000) | Maximum | 499999 (Display: 4.99.999) |
| Default | 0 (Display: 0.00.000) | Units | None |
| Type | 32 Bit User Save | Update Rate | Module reset, EtherNet/IP interface reset or EtherNet/IP interface enable |
| Display Format | Slot Menu Param | Decimal Places | 0 |
| Coding | RW, BU | | |

This parameter specifies the parameter to use for triggering input assembly object consistency. See *In Consistency Enable* (**S.20.026**) for more information on consistency.

| S.20.028 | | Out Consistency Enable | |
|-----------------|---------------------|-------------------------------|---|
| Minimum | 0 (Display: Off) | Maximum | 1 (Display: On) |
| Default | 0 (Display: Off) | Units | None |
| Type | 1 Bit User Save | Update Rate | Module reset, EtherNet/IP interface reset or EtherNet/IP interface enable |
| Display Format | None | Decimal Places | 0 |
| Coding | RW | | |

This parameter allows for enabling and disabling output assembly object consistency.

Writing of data can be controlled using consistency by enabling this parameter and setting a trigger parameter (In *Out Consistency Trigger Param* (**S.20.029**)).

Consistency enabled

When the output consistency is enabled, the value in *Out Consistency Trigger Param* (**S.20.029**) is checked at the beginning of the writing routine. If it is zero then the PLC or EtherNet/IP master output values are written to the cyclic data destination parameters and the trigger parameter is set to one. If the output trigger parameter value is non-zero then the output values are not written to the destination parameters.

NOTE If write consistency is enabled, then at reset or at power-up, the value in the trigger parameter is set to one.

Consistency disabled

When the output consistency is disabled, the output values are written to the cyclic data destination parameters at the background task rate after it has been received.

| S.20.029 | | Out Consistency Trigger Param | |
|-----------------|--------------------------|--------------------------------------|---|
| Minimum | 0 (Display: 0.00.000) | Maximum | 499999 (Display: 4.99.999) |
| Default | 0 (Display: 0.00.000) | Units | None |
| Type | 32 Bit User Save | Update Rate | Module reset, EtherNet/IP interface reset or EtherNet/IP interface enable |
| Display Format | Slot Menu Param | Decimal Places | 0 |
| Coding | RW, BU | | |

This parameter specifies the parameter to use for triggering output assembly object consistency. See *Out Consistency Enable (S.20.028)* for more information on consistency.

| S.20.030 | | Custom Vendor ID | |
|-----------------|--------------------------|-------------------------|---|
| Minimum | 0 (Display: 257 - CT) | Maximum | 1 (Display: 553 - CT AMERICA) |
| Default | 0 (Display: 257 - CT) | Units | None |
| Type | 8 Bit User Save | Update Rate | Module reset, EtherNet/IP interface reset or EtherNet/IP interface enable |
| Display Format | None | Decimal Places | 0 |
| Coding | RW, Txt, BU | | |

| Value | Text | Description |
|--------------|------------------|-----------------------------|
| 0 | 257 - CT | Control Techniques (Europe) |
| 1 | 553 - CT AMERICA | Control Techniques (USA) |

This parameter defines the customized vendor ID.

| S.20.031 | | Custom product code | |
|-----------------|------------------|----------------------------|---|
| Minimum | 0 | Maximum | 65535 |
| Default | 0 | Units | None |
| Type | 16 Bit User Save | Update Rate | Module reset, EtherNet/IP interface reset or EtherNet/IP interface enable |
| Display Format | None | Decimal Places | 0 |
| Coding | RW, BU | | |

This parameter defines a custom product type value which is used to identify the product on the network.

| S.20.032 | | Custom product revision code | |
|-----------------|------------------|-------------------------------------|---|
| Minimum | 0 | Maximum | 65535 |
| Default | 0 | Units | None |
| Type | 16 Bit User Save | Update Rate | Module reset, EtherNet/IP interface reset or EtherNet/IP interface enable |
| Display Format | None | Decimal Places | 0 |
| Coding | RW, BU | | |

This parameter defines a custom product revision value which is used to identify the product on the network.

| S.20.033 | | Actual Product Code | |
|-----------------|--------------------|----------------------------|---|
| Minimum | 0 | Maximum | 65535 |
| Default | None | Units | None |
| Type | 16 Bit Volatile | Update Rate | Module reset, EtherNet/IP interface reset or EtherNet/IP interface enable |
| Display Format | None | Decimal Places | 0 |
| Coding | RO, NC, ND, PT, BU | | |

This parameter defines the actual product code.

NOTE For more information on the product code, refer to the EtherNet/IP section 7.5.18 *Identity object* on page 176

| S.20.034 | | Actual Product Revision | |
|-----------------|--------------------|--------------------------------|---|
| Minimum | 0 | Maximum | 65535 |
| Default | None | Units | None |
| Type | 16 Bit Volatile | Update Rate | Module reset, EtherNet/IP interface reset or EtherNet/IP interface enable |
| Display Format | None | Decimal Places | 0 |
| Coding | RO, NC, ND, PT, BU | | |

This parameter defines the actual revision number.

NOTE For more information on the product code, refer to the EtherNet/IP section 7.5.18 *Identity object* on page 176

| S.20.040 | | Type of Motor 1 | |
|-----------------|-------------------------|------------------------|-------------------------------|
| Minimum | 0 (Display: 2-FC DC) | Maximum | 4 (Display: 10-Trap PM BL) |
| Default | 2 (Display: 7-SCI) | Units | None |
| Type | 8 Bit User Save | Update Rate | Reset |
| Display Format | None | Decimal Places | 0 |
| Coding | RO, Txt, PT, BU | | |

| Value | Text | Description |
|--------------|---------------|-------------------------------|
| 0 | 2-FC DC | FC DC Motor |
| 1 | 6-WRI | Wound Rotor Induction Motor |
| 2 | 7-SCI | Squirrel Cage Induction Motor |
| 3 | 9-Sin PM BL | Sinusoidal PM BL Motor |
| 4 | 10-Trap PM BL | Trapezoidal PM BL Motor |

This parameter defines the type of motor 1.

| S.20.041 | | Type of Motor 2 | |
|-----------------|-------------------------|------------------------|-------------------------------|
| Minimum | 0 (Display: 2-FC DC) | Maximum | 4 (Display: 10-Trap PM BL) |
| Default | 2 (Display: 7-SCI) | Units | None |
| Type | 8 Bit User Save | Update Rate | Reset |
| Display Format | None | Decimal Places | 0 |
| Coding | RO, Txt, PT, BU | | |

| Value | Text | Description |
|--------------|---------------|-------------------------------|
| 0 | 2-FC DC | FC DC Motor |
| 1 | 6-WRI | Wound Rotor Induction Motor |
| 2 | 7-SCI | Squirrel Cage Induction Motor |
| 3 | 9-Sin PM BL | Sinusoidal PM BL Motor |
| 4 | 10-Trap PM BL | Trapezoidal PM BL Motor |

This parameter defines the type of motor 2.

6.1.8 Menu 21 – EtherNet/IP In Mappings

This menu contains the parameters used to define the source parameters for data that will be transmitted to the PLC.

| S.21.001 | | Input mapping parameter 1 | |
|-----------------|------------------------------|----------------------------------|---|
| Minimum | 0 (Display: 0.00.000) | Maximum | 499999 (Display: 4.99.999) |
| Default | 10040 (Display: 0.10.040) | Units | None |
| Type | 32 Bit User Save | Update Rate | Module reset, EtherNet/IP interface reset or EtherNet/IP interface enable |
| Display Format | Slot Menu Param | Decimal Places | 0 |
| Coding | RW, PT, BU | | |

| S.21.002 | | Input mapping parameter 2 | |
|-----------------|-----------------------------|----------------------------------|---|
| Minimum | 0 (Display: 0.00.000) | Maximum | 499999 (Display: 4.99.999) |
| Default | 2001 (Display: 0.02.001) | Units | None |
| Type | 32 Bit User Save | Update Rate | Module reset, EtherNet/IP interface reset or EtherNet/IP interface enable |
| Display Format | Slot Menu Param | Decimal Places | 0 |
| Coding | RW, PT, BU | | |

| S.21.003 | | Input mapping parameter 3 | |
|-----------------|--------------------------|----------------------------------|---|
| Minimum | 0 (Display: 0.00.000) | Maximum | 499999 (Display: 4.99.999) |
| Default | 0 (Display: 0.00.000) | Units | None |
| Type | 32 Bit User Save | Update Rate | Module reset, EtherNet/IP interface reset or EtherNet/IP interface enable |
| Display Format | Slot Menu Param | Decimal Places | 0 |
| Coding | RW, PT, BU | | |

| |
|----------------------------|
| Safety Information |
| Introduction |
| Mechanical Installation |
| Electrical Installation |
| Getting started |
| Parameters |
| Key features and Protocols |
| PC Tools Applications |
| Security |
| Diagnostics |
| Glossary of terms |
| Index |

| S.21.004 | | Input mapping parameter 4 | |
|-----------------|--------------------------|----------------------------------|---|
| Minimum | 0 (Display: 0.00.000) | Maximum | 499999 (Display: 4.99.999) |
| Default | 0 (Display: 0.00.000) | Units | None |
| Type | 32 Bit User Save | Update Rate | Module reset, EtherNet/IP interface reset or EtherNet/IP interface enable |
| Display Format | Slot Menu Param | Decimal Places | 0 |
| Coding | RW, PT, BU | | |

| S.21.005 | | Input mapping parameter 5 | |
|-----------------|--------------------------|----------------------------------|---|
| Minimum | 0 (Display: 0.00.000) | Maximum | 499999 (Display: 4.99.999) |
| Default | 0 (Display: 0.00.000) | Units | None |
| Type | 32 Bit User Save | Update Rate | Module reset, EtherNet/IP interface reset or EtherNet/IP interface enable |
| Display Format | Slot Menu Param | Decimal Places | 0 |
| Coding | RW, PT, BU | | |

| S.21.006 | | Input mapping parameter 6 | |
|-----------------|--------------------------|----------------------------------|---|
| Minimum | 0 (Display: 0.00.000) | Maximum | 499999 (Display: 4.99.999) |
| Default | 0 (Display: 0.00.000) | Units | None |
| Type | 32 Bit User Save | Update Rate | Module reset, EtherNet/IP interface reset or EtherNet/IP interface enable |
| Display Format | Slot Menu Param | Decimal Places | 0 |
| Coding | RW, PT, BU | | |

| S.21.007 | | Input mapping parameter 7 | |
|-----------------|--------------------------|----------------------------------|---|
| Minimum | 0 (Display: 0.00.000) | Maximum | 499999 (Display: 4.99.999) |
| Default | 0 (Display: 0.00.000) | Units | None |
| Type | 32 Bit User Save | Update Rate | Module reset, EtherNet/IP interface reset or EtherNet/IP interface enable |
| Display Format | Slot Menu Param | Decimal Places | 0 |
| Coding | RW, PT, BU | | |

| S.21.008 | | Input mapping parameter 8 | |
|-----------------|--------------------------|----------------------------------|---|
| Minimum | 0 (Display: 0.00.000) | Maximum | 499999 (Display: 4.99.999) |
| Default | 0 (Display: 0.00.000) | Units | None |
| Type | 32 Bit User Save | Update Rate | Module reset, EtherNet/IP interface reset or EtherNet/IP interface enable |
| Display Format | Slot Menu Param | Decimal Places | 0 |
| Coding | RW, PT, BU | | |

| S.21.009 | | Input mapping parameter 9 | |
|-----------------|--------------------------|----------------------------------|---|
| Minimum | 0 (Display: 0.00.000) | Maximum | 499999 (Display: 4.99.999) |
| Default | 0 (Display: 0.00.000) | Units | None |
| Type | 32 Bit User Save | Update Rate | Module reset, EtherNet/IP interface reset or EtherNet/IP interface enable |
| Display Format | Slot Menu Param | Decimal Places | 0 |
| Coding | RW, PT, BU | | |

| S.21.010 | | Input mapping parameter 10 | |
|-----------------|--------------------------|-----------------------------------|---|
| Minimum | 0 (Display: 0.00.000) | Maximum | 499999 (Display: 4.99.999) |
| Default | 0 (Display: 0.00.000) | Units | None |
| Type | 32 Bit User Save | Update Rate | Module reset, EtherNet/IP interface reset or EtherNet/IP interface enable |
| Display Format | Slot Menu Param | Decimal Places | 0 |
| Coding | RW, PT, BU | | |

| S.21.011 | | Input mapping parameter 11 | |
|-----------------|--------------------------|-----------------------------------|---|
| Minimum | 0 (Display: 0.00.000) | Maximum | 499999 (Display: 4.99.999) |
| Default | 0 (Display: 0.00.000) | Units | None |
| Type | 32 Bit User Save | Update Rate | Module reset, EtherNet/IP interface reset or EtherNet/IP interface enable |
| Display Format | Slot Menu Param | Decimal Places | 0 |
| Coding | RW, PT, BU | | |

| S.21.012 | | Input mapping parameter 12 | |
|-----------------|--------------------------|-----------------------------------|---|
| Minimum | 0 (Display: 0.00.000) | Maximum | 499999 (Display: 4.99.999) |
| Default | 0 (Display: 0.00.000) | Units | None |
| Type | 32 Bit User Save | Update Rate | Module reset, EtherNet/IP interface reset or EtherNet/IP interface enable |
| Display Format | Slot Menu Param | Decimal Places | 0 |
| Coding | RW, PT, BU | | |

| S.21.013 | | Input mapping parameter 13 | |
|-----------------|--------------------------|-----------------------------------|---|
| Minimum | 0 (Display: 0.00.000) | Maximum | 499999 (Display: 4.99.999) |
| Default | 0 (Display: 0.00.000) | Units | None |
| Type | 32 Bit User Save | Update Rate | Module reset, EtherNet/IP interface reset or EtherNet/IP interface enable |
| Display Format | Slot Menu Param | Decimal Places | 0 |
| Coding | RW, PT, BU | | |

| S.21.014 | | Input mapping parameter 14 | |
|-----------------|--------------------------|-----------------------------------|---|
| Minimum | 0 (Display: 0.00.000) | Maximum | 499999 (Display: 4.99.999) |
| Default | 0 (Display: 0.00.000) | Units | None |
| Type | 32 Bit User Save | Update Rate | Module reset, EtherNet/IP interface reset or EtherNet/IP interface enable |
| Display Format | Slot Menu Param | Decimal Places | 0 |
| Coding | RW, PT, BU | | |

| S.21.015 | | Input mapping parameter 15 | |
|-----------------|--------------------------|-----------------------------------|---|
| Minimum | 0 (Display: 0.00.000) | Maximum | 499999 (Display: 4.99.999) |
| Default | 0 (Display: 0.00.000) | Units | None |
| Type | 32 Bit User Save | Update Rate | Module reset, EtherNet/IP interface reset or EtherNet/IP interface enable |
| Display Format | Slot Menu Param | Decimal Places | 0 |
| Coding | RW, PT, BU | | |

| S.21.016 | | Input mapping parameter 16 | |
|-----------------|--------------------------|-----------------------------------|---|
| Minimum | 0 (Display: 0.00.000) | Maximum | 499999 (Display: 4.99.999) |
| Default | 0 (Display: 0.00.000) | Units | None |
| Type | 32 Bit User Save | Update Rate | Module reset, EtherNet/IP interface reset or EtherNet/IP interface enable |
| Display Format | Slot Menu Param | Decimal Places | 0 |
| Coding | RW, PT, BU | | |

| S.21.017 | | Input mapping parameter 17 | |
|-----------------|--------------------------|-----------------------------------|---|
| Minimum | 0 (Display: 0.00.000) | Maximum | 499999 (Display: 4.99.999) |
| Default | 0 (Display: 0.00.000) | Units | None |
| Type | 32 Bit User Save | Update Rate | Module reset, EtherNet/IP interface reset or EtherNet/IP interface enable |
| Display Format | Slot Menu Param | Decimal Places | 0 |
| Coding | RW, PT, BU | | |

| S.21.018 | | Input mapping parameter 18 | |
|-----------------|--------------------------|-----------------------------------|---|
| Minimum | 0 (Display: 0.00.000) | Maximum | 499999 (Display: 4.99.999) |
| Default | 0 (Display: 0.00.000) | Units | None |
| Type | 32 Bit User Save | Update Rate | Module reset, EtherNet/IP interface reset or EtherNet/IP interface enable |
| Display Format | Slot Menu Param | Decimal Places | 0 |
| Coding | RW, PT, BU | | |

| S.21.019 | | Input mapping parameter 19 | |
|-----------------|--------------------------|-----------------------------------|---|
| Minimum | 0 (Display: 0.00.000) | Maximum | 499999 (Display: 4.99.999) |
| Default | 0 (Display: 0.00.000) | Units | None |
| Type | 32 Bit User Save | Update Rate | Module reset, EtherNet/IP interface reset or EtherNet/IP interface enable |
| Display Format | Slot Menu Param | Decimal Places | 0 |
| Coding | RW, PT, BU | | |

| S.21.020 | | Input mapping parameter 20 | |
|-----------------|--------------------------|-----------------------------------|---|
| Minimum | 0 (Display: 0.00.000) | Maximum | 499999 (Display: 4.99.999) |
| Default | 0 (Display: 0.00.000) | Units | None |
| Type | 32 Bit User Save | Update Rate | Module reset, EtherNet/IP interface reset or EtherNet/IP interface enable |
| Display Format | Slot Menu Param | Decimal Places | 0 |
| Coding | RW, PT, BU | | |

| S.21.021 | | Input mapping parameter 21 | |
|-----------------|--------------------------|-----------------------------------|---|
| Minimum | 0 (Display: 0.00.000) | Maximum | 499999 (Display: 4.99.999) |
| Default | 0 (Display: 0.00.000) | Units | None |
| Type | 32 Bit User Save | Update Rate | Module reset, EtherNet/IP interface reset or EtherNet/IP interface enable |
| Display Format | Slot Menu Param | Decimal Places | 0 |
| Coding | RW, PT, BU | | |

| S.21.022 | | Input mapping parameter 22 | |
|-----------------|--------------------------|-----------------------------------|---|
| Minimum | 0 (Display: 0.00.000) | Maximum | 499999 (Display: 4.99.999) |
| Default | 0 (Display: 0.00.000) | Units | None |
| Type | 32 Bit User Save | Update Rate | Module reset, EtherNet/IP interface reset or EtherNet/IP interface enable |
| Display Format | Slot Menu Param | Decimal Places | 0 |
| Coding | RW, PT, BU | | |

| S.21.023 | | Input mapping parameter 23 | |
|-----------------|--------------------------|-----------------------------------|---|
| Minimum | 0 (Display: 0.00.000) | Maximum | 499999 (Display: 4.99.999) |
| Default | 0 (Display: 0.00.000) | Units | None |
| Type | 32 Bit User Save | Update Rate | Module reset, EtherNet/IP interface reset or EtherNet/IP interface enable |
| Display Format | Slot Menu Param | Decimal Places | 0 |
| Coding | RW, PT, BU | | |

| S.21.024 | | | |
|-----------------------------------|--------------------------|----------------|---|
| Input mapping parameter 24 | | | |
| Minimum | 0 (Display: 0.00.000) | Maximum | 499999 (Display: 4.99.999) |
| Default | 0 (Display: 0.00.000) | Units | None |
| Type | 32 Bit User Save | Update Rate | Module reset, EtherNet/IP interface reset or EtherNet/IP interface enable |
| Display Format | Slot Menu Param | Decimal Places | 0 |
| Coding | RW, PT, BU | | |

| S.21.025 | | | |
|-----------------------------------|--------------------------|----------------|---|
| Input mapping parameter 25 | | | |
| Minimum | 0 (Display: 0.00.000) | Maximum | 499999 (Display: 4.99.999) |
| Default | 0 (Display: 0.00.000) | Units | None |
| Type | 32 Bit User Save | Update Rate | Module reset, EtherNet/IP interface reset or EtherNet/IP interface enable |
| Display Format | Slot Menu Param | Decimal Places | 0 |
| Coding | RW, PT, BU | | |

| S.21.026 | | | |
|-----------------------------------|--------------------------|----------------|---|
| Input mapping parameter 26 | | | |
| Minimum | 0 (Display: 0.00.000) | Maximum | 499999 (Display: 4.99.999) |
| Default | 0 (Display: 0.00.000) | Units | None |
| Type | 32 Bit User Save | Update Rate | Module reset, EtherNet/IP interface reset or EtherNet/IP interface enable |
| Display Format | Slot Menu Param | Decimal Places | 0 |
| Coding | RW, PT, BU | | |

| S.21.027 | | | |
|-----------------------------------|--------------------------|----------------|---|
| Input mapping parameter 27 | | | |
| Minimum | 0 (Display: 0.00.000) | Maximum | 499999 (Display: 4.99.999) |
| Default | 0 (Display: 0.00.000) | Units | None |
| Type | 32 Bit User Save | Update Rate | Module reset, EtherNet/IP interface reset or EtherNet/IP interface enable |
| Display Format | Slot Menu Param | Decimal Places | 0 |
| Coding | RW, PT, BU | | |

| S.21.028 | | Input mapping parameter 28 | |
|-----------------|--------------------------|-----------------------------------|---|
| Minimum | 0 (Display: 0.00.000) | Maximum | 499999 (Display: 4.99.999) |
| Default | 0 (Display: 0.00.000) | Units | None |
| Type | 32 Bit User Save | Update Rate | Module reset, EtherNet/IP interface reset or EtherNet/IP interface enable |
| Display Format | Slot Menu Param | Decimal Places | 0 |
| Coding | RW, PT, BU | | |

| S.21.029 | | Input mapping parameter 29 | |
|-----------------|--------------------------|-----------------------------------|---|
| Minimum | 0 (Display: 0.00.000) | Maximum | 499999 (Display: 4.99.999) |
| Default | 0 (Display: 0.00.000) | Units | None |
| Type | 32 Bit User Save | Update Rate | Module reset, EtherNet/IP interface reset or EtherNet/IP interface enable |
| Display Format | Slot Menu Param | Decimal Places | 0 |
| Coding | RW, PT, BU | | |

| S.21.030 | | Input mapping parameter 30 | |
|-----------------|--------------------------|-----------------------------------|---|
| Minimum | 0 (Display: 0.00.000) | Maximum | 499999 (Display: 4.99.999) |
| Default | 0 (Display: 0.00.000) | Units | None |
| Type | 32 Bit User Save | Update Rate | Module reset, EtherNet/IP interface reset or EtherNet/IP interface enable |
| Display Format | Slot Menu Param | Decimal Places | 0 |
| Coding | RW, PT, BU | | |

| S.21.031 | | Input mapping parameter 31 | |
|-----------------|--------------------------|-----------------------------------|---|
| Minimum | 0 (Display: 0.00.000) | Maximum | 499999 (Display: 4.99.999) |
| Default | 0 (Display: 0.00.000) | Units | None |
| Type | 32 Bit User Save | Update Rate | Module reset, EtherNet/IP interface reset or EtherNet/IP interface enable |
| Display Format | Slot Menu Param | Decimal Places | 0 |
| Coding | RW, PT, BU | | |

| S.21.032 | | Input mapping parameter 32 | |
|-----------------|--------------------------|-----------------------------------|---|
| Minimum | 0 (Display: 0.00.000) | Maximum | 499999 (Display: 4.99.999) |
| Default | 0 (Display: 0.00.000) | Units | None |
| Type | 32 Bit User Save | Update Rate | Module reset, EtherNet/IP interface reset or EtherNet/IP interface enable |
| Display Format | Slot Menu Param | Decimal Places | 0 |
| Coding | RW, PT, BU | | |

6.1.9 Menu 22 – EtherNet/IP Out Mappings

This menu contains the parameters used to define the destination parameters for data that will be transmitted from the PLC.

| S.22.001 | | Output mapping parameter 1 | |
|-----------------|-----------------------------|-----------------------------------|---|
| Minimum | 0 (Display: 0.00.000) | Maximum | 499999 (Display: 4.99.999) |
| Default | 6042 (Display: 0.06.042) | Units | None |
| Type | 32 Bit User Save | Update Rate | Module reset, EtherNet/IP interface reset or EtherNet/IP interface enable |
| Display Format | Slot Menu Param | Decimal Places | 0 |
| Coding | RW, PT, BU | | |

| S.22.002 | | Output mapping parameter 2 | |
|-----------------|-----------------------------|-----------------------------------|---|
| Minimum | 0 (Display: 0.00.000) | Maximum | 499999 (Display: 4.99.999) |
| Default | 1021 (Display: 0.01.021) | Units | None |
| Type | 32 Bit User Save | Update Rate | Module reset, EtherNet/IP interface reset or EtherNet/IP interface enable |
| Display Format | Slot Menu Param | Decimal Places | 0 |
| Coding | RW, PT, BU | | |

| S.22.003 | | Output mapping parameter 3 | |
|-----------------|--------------------------|-----------------------------------|---|
| Minimum | 0 (Display: 0.00.000) | Maximum | 499999 (Display: 4.99.999) |
| Default | 0 (Display: 0.00.000) | Units | None |
| Type | 32 Bit User Save | Update Rate | Module reset, EtherNet/IP interface reset or EtherNet/IP interface enable |
| Display Format | Slot Menu Param | Decimal Places | 0 |
| Coding | RW, PT, BU | | |

| S.22.004 | | Output mapping parameter 4 | |
|-----------------|--------------------------|-----------------------------------|---|
| Minimum | 0 (Display: 0.00.000) | Maximum | 499999 (Display: 4.99.999) |
| Default | 0 (Display: 0.00.000) | Units | None |
| Type | 32 Bit User Save | Update Rate | Module reset, EtherNet/IP interface reset or EtherNet/IP interface enable |
| Display Format | Slot Menu Param | Decimal Places | 0 |
| Coding | RW, PT, BU | | |

| S.22.005 | | Output mapping parameter 5 | |
|-----------------|--------------------------|-----------------------------------|---|
| Minimum | 0 (Display: 0.00.000) | Maximum | 499999 (Display: 4.99.999) |
| Default | 0 (Display: 0.00.000) | Units | None |
| Type | 32 Bit User Save | Update Rate | Module reset, EtherNet/IP interface reset or EtherNet/IP interface enable |
| Display Format | Slot Menu Param | Decimal Places | 0 |
| Coding | RW, PT, BU | | |

| S.22.006 | | Output mapping parameter 6 | |
|-----------------|--------------------------|-----------------------------------|---|
| Minimum | 0 (Display: 0.00.000) | Maximum | 499999 (Display: 4.99.999) |
| Default | 0 (Display: 0.00.000) | Units | None |
| Type | 32 Bit User Save | Update Rate | Module reset, EtherNet/IP interface reset or EtherNet/IP interface enable |
| Display Format | Slot Menu Param | Decimal Places | 0 |
| Coding | RW, PT, BU | | |

| S.22.007 | | Output mapping parameter 7 | |
|-----------------|--------------------------|-----------------------------------|---|
| Minimum | 0 (Display: 0.00.000) | Maximum | 499999 (Display: 4.99.999) |
| Default | 0 (Display: 0.00.000) | Units | None |
| Type | 32 Bit User Save | Update Rate | Module reset, EtherNet/IP interface reset or EtherNet/IP interface enable |
| Display Format | Slot Menu Param | Decimal Places | 0 |
| Coding | RW, PT, BU | | |

| S.22.008 | | Output mapping parameter 8 | |
|-----------------|--------------------------|-----------------------------------|---|
| Minimum | 0 (Display: 0.00.000) | Maximum | 499999 (Display: 4.99.999) |
| Default | 0 (Display: 0.00.000) | Units | None |
| Type | 32 Bit User Save | Update Rate | Module reset, EtherNet/IP interface reset or EtherNet/IP interface enable |
| Display Format | Slot Menu Param | Decimal Places | 0 |
| Coding | RW, PT, BU | | |

| S.22.009 | | Output mapping parameter 9 | |
|-----------------|--------------------------|-----------------------------------|---|
| Minimum | 0 (Display: 0.00.000) | Maximum | 499999 (Display: 4.99.999) |
| Default | 0 (Display: 0.00.000) | Units | None |
| Type | 32 Bit User Save | Update Rate | Module reset, EtherNet/IP interface reset or EtherNet/IP interface enable |
| Display Format | Slot Menu Param | Decimal Places | 0 |
| Coding | RW, PT, BU | | |

| S.22.010 | | Output mapping parameter 10 | |
|-----------------|--------------------------|------------------------------------|---|
| Minimum | 0 (Display: 0.00.000) | Maximum | 499999 (Display: 4.99.999) |
| Default | 0 (Display: 0.00.000) | Units | None |
| Type | 32 Bit User Save | Update Rate | Module reset, EtherNet/IP interface reset or EtherNet/IP interface enable |
| Display Format | Slot Menu Param | Decimal Places | 0 |
| Coding | RW, PT, BU | | |

| S.22.011 | | Output mapping parameter 11 | |
|-----------------|--------------------------|------------------------------------|---|
| Minimum | 0 (Display: 0.00.000) | Maximum | 499999 (Display: 4.99.999) |
| Default | 0 (Display: 0.00.000) | Units | None |
| Type | 32 Bit User Save | Update Rate | Module reset, EtherNet/IP interface reset or EtherNet/IP interface enable |
| Display Format | Slot Menu Param | Decimal Places | 0 |
| Coding | RW, PT, BU | | |

| S.22.012 | | Output mapping parameter 12 | |
|-----------------|--------------------------|------------------------------------|---|
| Minimum | 0 (Display: 0.00.000) | Maximum | 499999 (Display: 4.99.999) |
| Default | 0 (Display: 0.00.000) | Units | None |
| Type | 32 Bit User Save | Update Rate | Module reset, EtherNet/IP interface reset or EtherNet/IP interface enable |
| Display Format | Slot Menu Param | Decimal Places | 0 |
| Coding | RW, PT, BU | | |

| S.22.013 | | Output mapping parameter 13 | |
|-----------------|--------------------------|------------------------------------|---|
| Minimum | 0 (Display: 0.00.000) | Maximum | 499999 (Display: 4.99.999) |
| Default | 0 (Display: 0.00.000) | Units | None |
| Type | 32 Bit User Save | Update Rate | Module reset, EtherNet/IP interface reset or EtherNet/IP interface enable |
| Display Format | Slot Menu Param | Decimal Places | 0 |
| Coding | RW, PT, BU | | |

| S.22.014 | | Output mapping parameter 14 | |
|-----------------|--------------------------|------------------------------------|---|
| Minimum | 0 (Display: 0.00.000) | Maximum | 499999 (Display: 4.99.999) |
| Default | 0 (Display: 0.00.000) | Units | None |
| Type | 32 Bit User Save | Update Rate | Module reset, EtherNet/IP interface reset or EtherNet/IP interface enable |
| Display Format | Slot Menu Param | Decimal Places | 0 |
| Coding | RW, PT, BU | | |

| S.22.015 | | Output mapping parameter 15 | |
|-----------------|--------------------------|------------------------------------|---|
| Minimum | 0 (Display: 0.00.000) | Maximum | 499999 (Display: 4.99.999) |
| Default | 0 (Display: 0.00.000) | Units | None |
| Type | 32 Bit User Save | Update Rate | Module reset, EtherNet/IP interface reset or EtherNet/IP interface enable |
| Display Format | Slot Menu Param | Decimal Places | 0 |
| Coding | RW, PT, BU | | |

| S.22.016 | | Output mapping parameter 16 | |
|-----------------|--------------------------|------------------------------------|---|
| Minimum | 0 (Display: 0.00.000) | Maximum | 499999 (Display: 4.99.999) |
| Default | 0 (Display: 0.00.000) | Units | None |
| Type | 32 Bit User Save | Update Rate | Module reset, EtherNet/IP interface reset or EtherNet/IP interface enable |
| Display Format | Slot Menu Param | Decimal Places | 0 |
| Coding | RW, PT, BU | | |

| S.22.017 | | Output mapping parameter 17 | |
|-----------------|--------------------------|------------------------------------|---|
| Minimum | 0 (Display: 0.00.000) | Maximum | 499999 (Display: 4.99.999) |
| Default | 0 (Display: 0.00.000) | Units | None |
| Type | 32 Bit User Save | Update Rate | Module reset, EtherNet/IP interface reset or EtherNet/IP interface enable |
| Display Format | Slot Menu Param | Decimal Places | 0 |
| Coding | RW, PT, BU | | |

| S.22.018 | | Output mapping parameter 18 | |
|-----------------|--------------------------|------------------------------------|---|
| Minimum | 0 (Display: 0.00.000) | Maximum | 499999 (Display: 4.99.999) |
| Default | 0 (Display: 0.00.000) | Units | None |
| Type | 32 Bit User Save | Update Rate | Module reset, EtherNet/IP interface reset or EtherNet/IP interface enable |
| Display Format | Slot Menu Param | Decimal Places | 0 |
| Coding | RW, PT, BU | | |

| S.22.019 | | Output mapping parameter 19 | |
|-----------------|--------------------------|------------------------------------|---|
| Minimum | 0 (Display: 0.00.000) | Maximum | 499999 (Display: 4.99.999) |
| Default | 0 (Display: 0.00.000) | Units | None |
| Type | 32 Bit User Save | Update Rate | Module reset, EtherNet/IP interface reset or EtherNet/IP interface enable |
| Display Format | Slot Menu Param | Decimal Places | 0 |
| Coding | RW, PT, BU | | |

| S.22.020 | | Output mapping parameter 20 | |
|-----------------|--------------------------|------------------------------------|---|
| Minimum | 0 (Display: 0.00.000) | Maximum | 499999 (Display: 4.99.999) |
| Default | 0 (Display: 0.00.000) | Units | None |
| Type | 32 Bit User Save | Update Rate | Module reset, EtherNet/IP interface reset or EtherNet/IP interface enable |
| Display Format | Slot Menu Param | Decimal Places | 0 |
| Coding | RW, PT, BU | | |

| S.22.021 | | Output mapping parameter 21 | |
|-----------------|--------------------------|------------------------------------|---|
| Minimum | 0 (Display: 0.00.000) | Maximum | 499999 (Display: 4.99.999) |
| Default | 0 (Display: 0.00.000) | Units | None |
| Type | 32 Bit User Save | Update Rate | Module reset, EtherNet/IP interface reset or EtherNet/IP interface enable |
| Display Format | Slot Menu Param | Decimal Places | 0 |
| Coding | RW, PT, BU | | |

| S.22.022 | | Output mapping parameter 22 | |
|-----------------|--------------------------|------------------------------------|---|
| Minimum | 0 (Display: 0.00.000) | Maximum | 499999 (Display: 4.99.999) |
| Default | 0 (Display: 0.00.000) | Units | None |
| Type | 32 Bit User Save | Update Rate | Module reset, EtherNet/IP interface reset or EtherNet/IP interface enable |
| Display Format | Slot Menu Param | Decimal Places | 0 |
| Coding | RW, PT, BU | | |

| S.22.023 | | Output mapping parameter 23 | |
|-----------------|--------------------------|------------------------------------|---|
| Minimum | 0 (Display: 0.00.000) | Maximum | 499999 (Display: 4.99.999) |
| Default | 0 (Display: 0.00.000) | Units | None |
| Type | 32 Bit User Save | Update Rate | Module reset, EtherNet/IP interface reset or EtherNet/IP interface enable |
| Display Format | Slot Menu Param | Decimal Places | 0 |
| Coding | RW, PT, BU | | |

| S.22.024 | | Output mapping parameter 24 | |
|-----------------|--------------------------|------------------------------------|---|
| Minimum | 0 (Display: 0.00.000) | Maximum | 499999 (Display: 4.99.999) |
| Default | 0 (Display: 0.00.000) | Units | None |
| Type | 32 Bit User Save | Update Rate | Module reset, EtherNet/IP interface reset or EtherNet/IP interface enable |
| Display Format | Slot Menu Param | Decimal Places | 0 |
| Coding | RW, PT, BU | | |

| S.22.025 | | Output mapping parameter 25 | |
|-----------------|--------------------------|------------------------------------|---|
| Minimum | 0 (Display: 0.00.000) | Maximum | 499999 (Display: 4.99.999) |
| Default | 0 (Display: 0.00.000) | Units | None |
| Type | 32 Bit User Save | Update Rate | Module reset, EtherNet/IP interface reset or EtherNet/IP interface enable |
| Display Format | Slot Menu Param | Decimal Places | 0 |
| Coding | RW, PT, BU | | |

| S.22.026 | | Output mapping parameter 26 | |
|-----------------|--------------------------|------------------------------------|---|
| Minimum | 0 (Display: 0.00.000) | Maximum | 499999 (Display: 4.99.999) |
| Default | 0 (Display: 0.00.000) | Units | None |
| Type | 32 Bit User Save | Update Rate | Module reset, EtherNet/IP interface reset or EtherNet/IP interface enable |
| Display Format | Slot Menu Param | Decimal Places | 0 |
| Coding | RW, PT, BU | | |

| S.22.027 | | Output mapping parameter 27 | |
|-----------------|--------------------------|------------------------------------|---|
| Minimum | 0 (Display: 0.00.000) | Maximum | 499999 (Display: 4.99.999) |
| Default | 0 (Display: 0.00.000) | Units | None |
| Type | 32 Bit User Save | Update Rate | Module reset, EtherNet/IP interface reset or EtherNet/IP interface enable |
| Display Format | Slot Menu Param | Decimal Places | 0 |
| Coding | RW, PT, BU | | |

| S.22.028 | | Output mapping parameter 28 | |
|-----------------|--------------------------|------------------------------------|---|
| Minimum | 0 (Display: 0.00.000) | Maximum | 499999 (Display: 4.99.999) |
| Default | 0 (Display: 0.00.000) | Units | None |
| Type | 32 Bit User Save | Update Rate | Module reset, EtherNet/IP interface reset or EtherNet/IP interface enable |
| Display Format | Slot Menu Param | Decimal Places | 0 |
| Coding | RW, PT, BU | | |

| S.22.029 | | Output mapping parameter 29 | |
|-----------------|--------------------------|------------------------------------|---|
| Minimum | 0 (Display: 0.00.000) | Maximum | 499999 (Display: 4.99.999) |
| Default | 0 (Display: 0.00.000) | Units | None |
| Type | 32 Bit User Save | Update Rate | Module reset, EtherNet/IP interface reset or EtherNet/IP interface enable |
| Display Format | Slot Menu Param | Decimal Places | 0 |
| Coding | RW, PT, BU | | |

| S.22.030 | | Output mapping parameter 30 | |
|-----------------|--------------------------|------------------------------------|---|
| Minimum | 0 (Display: 0.00.000) | Maximum | 499999 (Display: 4.99.999) |
| Default | 0 (Display: 0.00.000) | Units | None |
| Type | 32 Bit User Save | Update Rate | Module reset, EtherNet/IP interface reset or EtherNet/IP interface enable |
| Display Format | Slot Menu Param | Decimal Places | 0 |
| Coding | RW, PT, BU | | |

| S.22.031 | | Output mapping parameter 31 | |
|-----------------|--------------------------|------------------------------------|---|
| Minimum | 0 (Display: 0.00.000) | Maximum | 499999 (Display: 4.99.999) |
| Default | 0 (Display: 0.00.000) | Units | None |
| Type | 32 Bit User Save | Update Rate | Module reset, EtherNet/IP interface reset or EtherNet/IP interface enable |
| Display Format | Slot Menu Param | Decimal Places | 0 |
| Coding | RW, PT, BU | | |

| S.22.032 | | Output mapping parameter 32 | |
|-----------------|--------------------------|------------------------------------|---|
| Minimum | 0 (Display: 0.00.000) | Maximum | 499999 (Display: 4.99.999) |
| Default | 0 (Display: 0.00.000) | Units | None |
| Type | 32 Bit User Save | Update Rate | Module reset, EtherNet/IP interface reset or EtherNet/IP interface enable |
| Display Format | Slot Menu Param | Decimal Places | 0 |
| Coding | RW, PT, BU | | |

6.1.10 Menu 23– EtherNet/IP Fault Values

This menu contains the parameters used to define the values to be sent to the mapped output destinations when fault values have been configured to be sent after either a RPI timeout event (see *RPI timeout action* (S.20.011), *RPI timeout event destination* (S.20.012) and *RPI timeout event type* (S.20.013)) or a PLC idle event (see *PLC idle action* (S.20.015), *PLC idle event destination* (S.20.016) and *PLC idle event type* (S.20.017)) has occurred.

| S.23.001 | | Output fault value 1 | |
|-----------------|------------------|-----------------------------|---|
| Minimum | -2147483648 | Maximum | 2147483647 |
| Default | 0 | Units | |
| Type | 32 Bit User Save | Update Rate | Module reset, EtherNet/IP interface reset or EtherNet/IP interface enable |
| Display Format | None | Decimal Places | 0 |
| Coding | RW, PT | | |

| S.23.002 | | Output fault value 2 | |
|-----------------|------------------|-----------------------------|---|
| Minimum | -2147483648 | Maximum | 2147483647 |
| Default | 0 | Units | |
| Type | 32 Bit User Save | Update Rate | Module reset, EtherNet/IP interface reset or EtherNet/IP interface enable |
| Display Format | None | Decimal Places | 0 |
| Coding | RW, PT | | |

| S.23.003 | | Output fault value 3 | |
|-----------------|------------------|-----------------------------|---|
| Minimum | -2147483648 | Maximum | 2147483647 |
| Default | 0 | Units | |
| Type | 32 Bit User Save | Update Rate | Module reset, EtherNet/IP interface reset or EtherNet/IP interface enable |
| Display Format | None | Decimal Places | 0 |
| Coding | RW, PT | | |

| S.23.004 | | Output fault value 4 | |
|-----------------|------------------|-----------------------------|---|
| Minimum | -2147483648 | Maximum | 2147483647 |
| Default | 0 | Units | |
| Type | 32 Bit User Save | Update Rate | Module reset, EtherNet/IP interface reset or EtherNet/IP interface enable |
| Display Format | None | Decimal Places | 0 |
| Coding | RW, PT | | |

| S.23.005 | | Output fault value 5 | |
|-----------------|------------------|-----------------------------|---|
| Minimum | -2147483648 | Maximum | 2147483647 |
| Default | 0 | Units | |
| Type | 32 Bit User Save | Update Rate | Module reset, EtherNet/IP interface reset or EtherNet/IP interface enable |
| Display Format | None | Decimal Places | 0 |
| Coding | RW, PT | | |

| S.23.006 | | Output fault value 6 | |
|-----------------|------------------|-----------------------------|---|
| Minimum | -2147483648 | Maximum | 2147483647 |
| Default | 0 | Units | |
| Type | 32 Bit User Save | Update Rate | Module reset, EtherNet/IP interface reset or EtherNet/IP interface enable |
| Display Format | None | Decimal Places | 0 |
| Coding | RW, PT | | |

| S.23.007 | | Output fault value 7 | |
|-----------------|------------------|-----------------------------|---|
| Minimum | -2147483648 | Maximum | 2147483647 |
| Default | 0 | Units | |
| Type | 32 Bit User Save | Update Rate | Module reset, EtherNet/IP interface reset or EtherNet/IP interface enable |
| Display Format | None | Decimal Places | 0 |
| Coding | RW, PT | | |

| S.23.008 | | Output fault value 8 | |
|-----------------|------------------|-----------------------------|---|
| Minimum | -2147483648 | Maximum | 2147483647 |
| Default | 0 | Units | |
| Type | 32 Bit User Save | Update Rate | Module reset, EtherNet/IP interface reset or EtherNet/IP interface enable |
| Display Format | None | Decimal Places | 0 |
| Coding | RW, PT | | |

| S.23.009 | | Output fault value 9 | |
|-----------------|------------------|-----------------------------|---|
| Minimum | -2147483648 | Maximum | 2147483647 |
| Default | 0 | Units | |
| Type | 32 Bit User Save | Update Rate | Module reset, EtherNet/IP interface reset or EtherNet/IP interface enable |
| Display Format | None | Decimal Places | 0 |
| Coding | RW, PT | | |

| S.23.010 | | Output fault value 10 | |
|-----------------|------------------|------------------------------|---|
| Minimum | -2147483648 | Maximum | 2147483647 |
| Default | 0 | Units | |
| Type | 32 Bit User Save | Update Rate | Module reset, EtherNet/IP interface reset or EtherNet/IP interface enable |
| Display Format | None | Decimal Places | 0 |
| Coding | RW, PT | | |

| S.23.011 | | Output fault value 11 | |
|-----------------|------------------|------------------------------|---|
| Minimum | -2147483648 | Maximum | 2147483647 |
| Default | 0 | Units | |
| Type | 32 Bit User Save | Update Rate | Module reset, EtherNet/IP interface reset or EtherNet/IP interface enable |
| Display Format | None | Decimal Places | 0 |
| Coding | RW, PT | | |

| S.23.012 | | Output fault value 12 | |
|-----------------|------------------|------------------------------|---|
| Minimum | -2147483648 | Maximum | 2147483647 |
| Default | 0 | Units | |
| Type | 32 Bit User Save | Update Rate | Module reset, EtherNet/IP interface reset or EtherNet/IP interface enable |
| Display Format | None | Decimal Places | 0 |
| Coding | RW, PT | | |

| S.23.013 | | Output fault value 13 | |
|-----------------|------------------|------------------------------|---|
| Minimum | -2147483648 | Maximum | 2147483647 |
| Default | 0 | Units | |
| Type | 32 Bit User Save | Update Rate | Module reset, EtherNet/IP interface reset or EtherNet/IP interface enable |
| Display Format | None | Decimal Places | 0 |
| Coding | RW, PT | | |

| S.23.014 | | Output Fault value 14 | |
|-----------------|------------------|------------------------------|---|
| Minimum | -2147483648 | Maximum | 2147483647 |
| Default | 0 | Units | |
| Type | 32 Bit User Save | Update Rate | Module reset, EtherNet/IP interface reset or EtherNet/IP interface enable |
| Display Format | None | Decimal Places | 0 |
| Coding | RW, PT | | |

| S.23.015 | | Output fault value 15 | |
|-----------------|------------------|------------------------------|---|
| Minimum | -2147483648 | Maximum | 2147483647 |
| Default | 0 | Units | |
| Type | 32 Bit User Save | Update Rate | Module reset, EtherNet/IP interface reset or EtherNet/IP interface enable |
| Display Format | None | Decimal Places | 0 |
| Coding | RW, PT | | |

| S.23.016 | | Output fault value 16 | |
|-----------------|------------------|------------------------------|---|
| Minimum | -2147483648 | Maximum | 2147483647 |
| Default | 0 | Units | |
| Type | 32 Bit User Save | Update Rate | Module reset, EtherNet/IP interface reset or EtherNet/IP interface enable |
| Display Format | None | Decimal Places | 0 |
| Coding | RW, PT | | |

| S.23.017 | | Output fault value 17 | |
|-----------------|------------------|------------------------------|---|
| Minimum | -2147483648 | Maximum | 2147483647 |
| Default | 0 | Units | |
| Type | 32 Bit User Save | Update Rate | Module reset, EtherNet/IP interface reset or EtherNet/IP interface enable |
| Display Format | None | Decimal Places | 0 |
| Coding | RW, PT | | |

| S.23.018 | | Output fault value 18 | |
|-----------------|------------------|------------------------------|---|
| Minimum | -2147483648 | Maximum | 2147483647 |
| Default | 0 | Units | |
| Type | 32 Bit User Save | Update Rate | Module reset, EtherNet/IP interface reset or EtherNet/IP interface enable |
| Display Format | None | Decimal Places | 0 |
| Coding | RW, PT | | |

| S.23.019 | | Output fault value 19 | |
|-----------------|------------------|------------------------------|---|
| Minimum | -2147483648 | Maximum | 2147483647 |
| Default | 0 | Units | |
| Type | 32 Bit User Save | Update Rate | Module reset, EtherNet/IP interface reset or EtherNet/IP interface enable |
| Display Format | None | Decimal Places | 0 |
| Coding | RW, PT | | |

| S.23.020 | | Output fault value 20 | |
|-----------------|------------------|------------------------------|---|
| Minimum | -2147483648 | Maximum | 2147483647 |
| Default | 0 | Units | |
| Type | 32 Bit User Save | Update Rate | Module reset, EtherNet/IP interface reset or EtherNet/IP interface enable |
| Display Format | None | Decimal Places | 0 |
| Coding | RW, PT | | |

| S.23.021 | | Output fault value 21 | |
|-----------------|------------------|------------------------------|---|
| Minimum | -2147483648 | Maximum | 2147483647 |
| Default | 0 | Units | |
| Type | 32 Bit User Save | Update Rate | Module reset, EtherNet/IP interface reset or EtherNet/IP interface enable |
| Display Format | None | Decimal Places | 0 |
| Coding | RW, PT | | |

| S.23.022 | | Output fault value 22 | |
|-----------------|------------------|------------------------------|---|
| Minimum | -2147483648 | Maximum | 2147483647 |
| Default | 0 | Units | |
| Type | 32 Bit User Save | Update Rate | Module reset, EtherNet/IP interface reset or EtherNet/IP interface enable |
| Display Format | None | Decimal Places | 0 |
| Coding | RW, PT | | |

| S.23.023 | | Output fault value 23 | |
|-----------------|------------------|------------------------------|---|
| Minimum | -2147483648 | Maximum | 2147483647 |
| Default | 0 | Units | |
| Type | 32 Bit User Save | Update Rate | Module reset, EtherNet/IP interface reset or EtherNet/IP interface enable |
| Display Format | None | Decimal Places | 0 |
| Coding | RW, PT | | |

| S.23.024 | | Output fault value 24 | |
|-----------------|------------------|------------------------------|---|
| Minimum | -2147483648 | Maximum | 2147483647 |
| Default | 0 | Units | |
| Type | 32 Bit User Save | Update Rate | Module reset, EtherNet/IP interface reset or EtherNet/IP interface enable |
| Display Format | None | Decimal Places | 0 |
| Coding | RW, PT | | |

| | | | |
|-----------------|------------------|------------------------------|---|
| S.23.025 | | Output fault value 25 | |
| Minimum | -2147483648 | Maximum | 2147483647 |
| Default | 0 | Units | |
| Type | 32 Bit User Save | Update Rate | Module reset, EtherNet/IP interface reset or EtherNet/IP interface enable |
| Display Format | None | Decimal Places | 0 |
| Coding | RW, PT | | |

| | | | |
|-----------------|------------------|------------------------------|---|
| S.23.026 | | Output fault value 26 | |
| Minimum | -2147483648 | Maximum | 2147483647 |
| Default | 0 | Units | |
| Type | 32 Bit User Save | Update Rate | Module reset, EtherNet/IP interface reset or EtherNet/IP interface enable |
| Display Format | None | Decimal Places | 0 |
| Coding | RW, PT | | |

| | | | |
|-----------------|------------------|------------------------------|---|
| S.23.027 | | Output fault value 27 | |
| Minimum | -2147483648 | Maximum | 2147483647 |
| Default | 0 | Units | |
| Type | 32 Bit User Save | Update Rate | Module reset, EtherNet/IP interface reset or EtherNet/IP interface enable |
| Display Format | None | Decimal Places | 0 |
| Coding | RW, PT | | |

| | | | |
|-----------------|------------------|------------------------------|---|
| S.23.028 | | Output fault value 28 | |
| Minimum | -2147483648 | Maximum | 2147483647 |
| Default | 0 | Units | |
| Type | 32 Bit User Save | Update Rate | Module reset, EtherNet/IP interface reset or EtherNet/IP interface enable |
| Display Format | None | Decimal Places | 0 |
| Coding | RW, PT | | |

| S.23.029 | | Output fault value 29 | |
|-----------------|------------------|------------------------------|---|
| Minimum | -2147483648 | Maximum | 2147483647 |
| Default | 0 | Units | |
| Type | 32 Bit User Save | Update Rate | Module reset, EtherNet/IP interface reset or EtherNet/IP interface enable |
| Display Format | None | Decimal Places | 0 |
| Coding | RW, PT | | |

| S.23.030 | | Output fault value 30 | |
|-----------------|------------------|------------------------------|---|
| Minimum | -2147483648 | Maximum | 2147483647 |
| Default | 0 | Units | |
| Type | 32 Bit User Save | Update Rate | Module reset, EtherNet/IP interface reset or EtherNet/IP interface enable |
| Display Format | None | Decimal Places | 0 |
| Coding | RW, PT | | |

| S.23.031 | | Output fault value 31 | |
|-----------------|------------------|------------------------------|---|
| Minimum | -2147483648 | Maximum | 2147483647 |
| Default | 0 | Units | |
| Type | 32 Bit User Save | Update Rate | Module reset, EtherNet/IP interface reset or EtherNet/IP interface enable |
| Display Format | None | Decimal Places | 0 |
| Coding | RW, PT | | |

| S.23.032 | | Output fault value 32 | |
|-----------------|------------------|------------------------------|---|
| Minimum | -2147483648 | Maximum | 2147483647 |
| Default | 0 | Units | |
| Type | 32 Bit User Save | Update Rate | Module reset, EtherNet/IP interface reset or EtherNet/IP interface enable |
| Display Format | None | Decimal Places | 0 |
| Coding | RW, PT | | |

7 Key features and Protocols

This section details the key features and protocols supported by the onboard Ethernet interface and the SI-Ethernet option module.

7.1 PC/PLC considerations

If the subnet of the host PC/PLC is different to the subnet of the Ethernet interface, then both the Ethernet interface and the PC/PLC, must be configured with the address of a gateway that allows communication between the two devices.

7.2 Modbus TCP/IP

Modbus TCP/IP is one of the most widely supported industrial Ethernet based protocols offering the functionality and simplicity of the Modbus protocol, with the flexibility of Ethernet. Table 7-1 shows the supported Modbus function codes.

Modbus TCP/IP uses the standard Protocol Data Unit (PDU) but without the CRC bytes and encapsulates it within a Modbus TCP/IP Application Data Unit (ADU) for transmission. This means that the Modbus PDU is the same for both standard (RTU) and Ethernet based transmission.

Table 7-1 Supported Modbus function codes

| Code | Description |
|------|---|
| 3 | Read multiple 16 bit registers. |
| 6 | Write single 16 bit register. |
| 16 | Write multiple 16 bit registers. |
| 23 | Read and write multiple 16 bit registers. |

7.2.1 Modbus TCP/IP port

The port number used for Modbus TCP/IP may be reconfigured to a different port number using Pr **S.15.005** see *Modbus Listening Port (S.15.005)* on page 92 for more information. A timer is available to allow a loss of Modbus communication to be managed (see *Modbus Timeout (S.15.009)* for more information).

7.2.2 Data structure

Communication between devices is based upon Modbus Application Data Units (ADUs), the ADU consists of 2 parts, the Modbus Application Protocol (MBAP) header and the Modbus Protocol Data Unit (PDU).

Figure 7-1 Modbus Data Structure

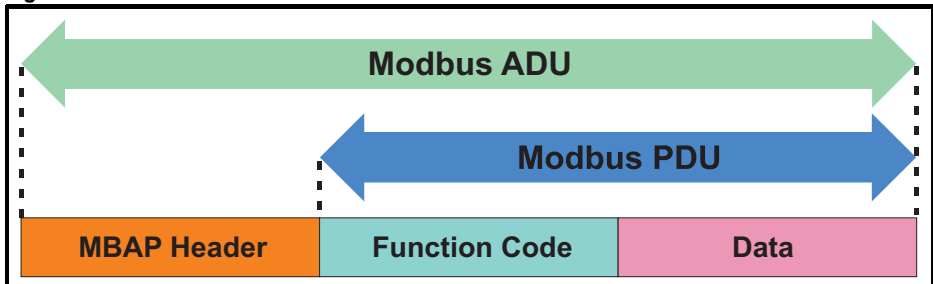


Table 7-2 MBAP Header

| Field | Length (Bytes) | Description |
|------------------------|----------------|---|
| Transaction Identifier | 2 | Uniquely identifies the transaction (0 to 65535) |
| Protocol Identifier | 2 | Identifies the protocol (0 = Modbus) |
| Length | 2 | Number of following bytes in the message |
| Unit Identifier | 1 | Uniquely identifies the destination node (0 to 255) |

The unit identifier within the MBAP header is used to identify whether the destination node is the host drive or an option module (not available on the onboard Ethernet interface with firmware versions prior to V01.02.01.10).

Table 7-3 MBAP Unit Identifier

| Unit Identifier | Destination |
|-----------------|---------------------------|
| 0 or 255 | Drive |
| 1 | Slot 1 |
| 2 | Slot 2 |
| 3 | Slot 3 |
| 4 | Slot 4 (onboard Ethernet) |
| 254 | Self |

7.2.3 Data access

Data access using Modbus TCP/IP takes the form of a request for data by the master, followed by a response from the slave indicating success or failure. If no response is received this indicates that the message has not been received or the message is invalid or the node is unable to reply.

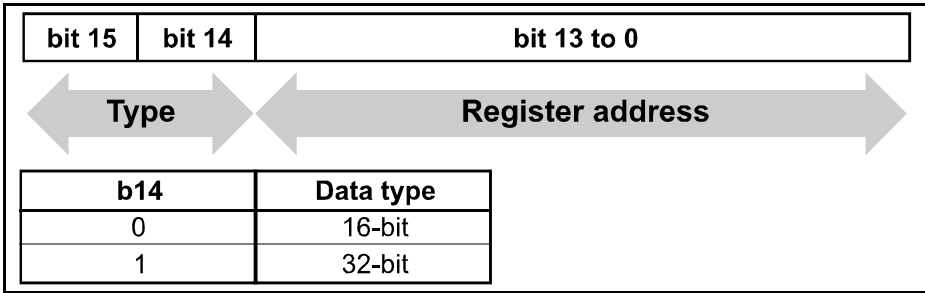
Each drive or option module parameter is internally mapped to a single 16-bit Modbus register, all Modbus function codes access 16-bit registers only. To access a 32-bit parameter, two contiguous Modbus registers must be specified in the request and the 32-bit data access scheme must be used.

7.2.4 32-bit data access

Standard Modbus registers are 16 bits in size and reference a single drive/option module parameter. To access a 32-bit data value the multiple read/write services must be used to transfer a contiguous array of 16-bit registers. To instruct the client to select either 16-bit or 32-bit access bit 14 of the register address is used.

NOTE Bit b15 of the register address is reserved for future use.

Figure 7-2 Data type selection



If 32-bit data type is selected then this effectively adds 16384 (0x4000) to the start register address.

e.g. For drive parameter Pr **01.021** in standard addressing mode, the start register value is 16384 + 120 = 16504 (0x4078)

7.2.5 Supported Modbus function codes

The following table details the supported Modbus function codes.

Table 7-4 Supported Modbus function codes

| Function Code | | Description |
|---------------|----------|--|
| Decimal | Hex (0x) | |
| 3 | 03 | Read multiple 16-bit registers |
| 6 | 06 | Write single 16-bit register |
| 16 | 10 | Write multiple 16-bit registers |
| 23 | 17 | Read and write multiple 16-bit registers |

7.2.6 Register addressing

The Modbus register address is 16 bits in size, of which the upper two bits are used for data type selection leaving 14 bits to represent the parameter address, taking into account the slave increments the address value by 1, this results in a theoretical maximum parameter address of 163.84 (limited to 162.99 in software) when the default standard addressing mode (see *Modbus Register Addressing Mode (S.15.013)*) is used.

To access a parameter number above 99 then the modified addressing mode must be used (see *Modbus Register Addressing Mode (S.15.013)*), this will allow access to parameter numbers up to 255 but also limit the maximum menu number to 63.

NOTE A reset is not required to activate the change, the addressing mode is effectively made active immediately on changing.

The Modbus slave device increments the register address by 1 before processing the command, this effectively prevents access to parameter Pr **00.000** in the drive or option module.

The table below shows how the start register address is calculated for both addressing modes.

Table 7-5 Start register addressing

| CT Parameter | Addressing mode | Protocol register | | | |
|--------------|-----------------|--------------------|----------|---------|----------|
| s.mm.ppp | Standard | mm * 100 + ppp - 1 | | | |
| | Modified | mm * 256 + ppp - 1 | | | |
| Examples | | | | | |
| | | 16-bit | | 32-bit | |
| | | Decimal | Hex (0x) | Decimal | Hex (0x) |
| 0.01.021 | Standard | 120 | 00 78 | 16504 | 40 78 |
| | Modified | 276 | 01 14 | 16660 | 41 14 |
| 0.01.000 | Standard | 99 | 00 63 | 16483 | 40 63 |
| | Modified | 255 | 00 FF | 16639 | 40 FF |
| 3.70.001 | Standard | 7000 | 1B 58 | 23384 | 5B 58 |
| | Modified | N/A | N/A | N/A | N/A |
| 0.03.161 | Standard | N/A | N/A | N/A | N/A |
| | Modified | 928 | 03 A0 | 17312 | 43 A0 |

7.2.7 FC03 – Read multiple registers

This function code allows a contiguous array of registers to be read. The maximum number of registers that can be read is 120, this allows up to 120 16-bit parameters or 60 32-bit parameters to be read in a single transaction. If this is exceeded the server will issue an exception response code 2.

Master request data

| Byte | Description |
|------|----------------------------------|
| 7 | Function code 0x03 |
| 8 | Start register address (MSB) |
| 9 | Start register address (LSB) |
| 10 | Number of 16-bit registers (MSB) |
| 11 | Number of 16-bit registers (LSB) |

Slave response data

| Byte | Description |
|------|--------------------------------------|
| 7 | Function code 0x03 |
| 8 | Length of data in read block (Bytes) |
| 9 | Register data (MSB) |
| 10 | Register data (LSB) |

The normal response includes the function code, number of data bytes in the read block followed by the register data (unless an exception occurs).

If 32-bit parameter addressing is used, then for each parameter read:

- Two 16-bit registers must be used in the request
- The register data in the response will contain 4 bytes of data

Example

To read drive parameters **0.20.021** to **0.20.023** (transaction ID = 42) with 32-bit data access and standard addressing:

Master request data

| Byte | Hex value | Description |
|-------|-----------|-----------------------------|
| 0-1 | 00 2A | Transaction ID (42) |
| 2-3 | 00 00 | Protocol ID (0=TCP/IP) |
| 4-5 | 00 06 | Length (Bytes=6) |
| 6 | FF | Unit identifier (FF= Drive) |
| 7 | 03 | Function code (3) |
| 8-9 | 47 E4 | Start register (20.20) |
| 10-11 | 00 06 | Number of registers (6) |

Slave response data

| Byte | Hex value | Description |
|-------|-----------|-----------------------------|
| 0-1 | 00 2A | Transaction ID (42) |
| 2-3 | 00 00 | Protocol ID (0=TCP/IP) |
| 4-5 | 00 0F | Length (Bytes=15) |
| 6 | FF | Unit identifier (FF= Drive) |
| 7 | 03 | Function code (3) |
| 8 | 0C | Data length (Bytes=12) |
| 9-12 | ? | Pr 0.20.021 data |
| 13-16 | ? | Pr 0.20.022 data |
| 17-20 | ? | Pr 0.20.023 data |

7.2.8 FC06 – Write single register

This function code writes a single 16-bit value to a register. The normal response is an echo of the request (unless an exception occurs) returned after the parameter has been written.

The register address can be a 32-bit parameter address but only the lower 16 bits of the value will be written.

Master request data

| Byte | Description |
|------|------------------------------|
| 7 | Function code 0x06 |
| 8 | Start register address (MSB) |
| 9 | Start register address (LSB) |
| 10 | Register data (MSB) |
| 11 | Register data (LSB) |

Slave response data

| Byte | Description |
|------|------------------------------|
| 7 | Function code 0x06 |
| 8 | Start register address (MSB) |
| 9 | Start register address (LSB) |
| 10 | Register data (MSB) |
| 11 | Register data (LSB) |

Example

To write the value 12345 to drive parameter **0.20.001** (transaction ID = 42) using standard addressing:

Master request data

| Byte | Hex value | Description |
|-------|-----------|----------------------------------|
| 0-1 | 00 2A | Transaction ID (42) |
| 2-3 | 00 00 | Protocol ID (0=TCP/IP) |
| 4-5 | 00 06 | Length (Bytes=6) |
| 6 | FF | Unit identifier (FF= Drive) |
| 7 | 06 | Function code (06) |
| 8-9 | 07 D0 | Start register (20.000) |
| 10-11 | 30 39 | Register data (12345) |

Slave response data

| Byte | Hex value | Description |
|-------|-----------|----------------------------------|
| 0-1 | 00 2A | Transaction ID (42) |
| 2-3 | 00 00 | Protocol ID (0=TCP/IP) |
| 4-5 | 00 06 | Length (Bytes=6) |
| 6 | FF | Unit identifier (FF= Drive) |
| 7 | 06 | Function code (6) |
| 8-9 | 07 D0 | Start register (20.000) |
| 10-11 | 30 39 | Register data (12345) |

7.2.9 FC16 – Write multiple registers

This function code allows a contiguous series of registers to be written. The maximum number of registers that can be written is 120, this allows up to 120 16-bit parameters or 60 32-bit parameters to be read in a single transaction. If this is exceeded the server will issue an exception response code 2. The normal response includes the function code, start register address and number of 16-bit registers written (unless an exception occurs), returned after the parameters have been written.

If 32-bit parameter addressing is used, then for each parameter written:

- Two 16-bit registers must be used in the request
- Four bytes must be specified in the request
- The number of registers written in the response will be twice the number of parameters written

Master request data

| Byte | Description |
|------|--|
| 7 | Function code 0x10 |
| 8 | Start register address (MSB) |
| 9 | Start register address (LSB) |
| 10 | Number of 16-bit registers (MSB) |
| 11 | Number of 16-bit registers (LSB) |
| 12 | Length of register data to write (Bytes) |
| 13 | Register data (MSB) |
| 14 | Register data (LSB) |

Slave response data

| Byte | Description |
|------|--|
| 7 | Function code 0x10 |
| 8 | Start register address (MSB) |
| 9 | Start register address (LSB) |
| 10 | Number of 16-bit registers written (MSB) |
| 11 | Number of 16-bit registers written (LSB) |

Example

To write the value 12345 to drive parameters **0.20.021** through **0.20.023** (Transaction ID=42) using standard 32-bit addressing:

Master request data

| Byte | Hex value | Description |
|-------|----------------|----------------------------------|
| 0-1 | 00 2A | Transaction ID (42) |
| 2-3 | 00 00 | Protocol ID (0=TCP/IP) |
| 4-5 | 00 13 | Length (Bytes=19) |
| 6 | FF | Unit identifier (FF= Drive) |
| 7 | 10 | Function code (16) |
| 8-9 | 47 E4 | Start register (20.020) |
| 10-11 | 00 06 | Number of registers (6) |
| 12 | 0C | Register data length (Bytes) |
| 13-16 | 00 00 30 39 | Register data 0 |
| 17-20 | 00 00 30 39 | Register data 1 |
| 21-24 | 00 00 30 39 | Register data 2 |

Slave response data

| Byte | Hex value | Description |
|-------|-----------|----------------------------------|
| 0-1 | 00 2A | Transaction ID (42) |
| 2-3 | 00 00 | Protocol ID (0=TCP/IP) |
| 4-5 | 00 06 | Length (Bytes=6) |
| 6 | FF | Unit identifier (FF= Drive) |
| 7 | 10 | Function code (16) |
| 8-9 | 47 E4 | Start register (20.020) |
| 10-11 | 00 06 | Registers written (6) |

7.2.10 FC23 – Read/Write multiple registers

This function code allows a contiguous series of registers to be written and another contiguous series of registers to be read. The maximum number of registers that can be read is 120 and similarly the maximum number of registers that can be written is 120, this allows up to 120 16-bit parameters or 60 32-bit parameters to be read and / or written in a single transaction. If this is exceeded the server will issue an exception response code 2.

Master request data

| Byte | Description |
|------|--|
| 7 | Function code 0x17 |
| 8 | Start read register address (MSB) |
| 9 | Start read register address (LSB) |
| 10 | Number of registers to read (MSB) |
| 11 | Number of registers to read (LSB) |
| 12 | Start write register address (MSB) |
| 13 | Start write register address (LSB) |
| 14 | Number of registers to write (MSB) |
| 15 | Number of registers to write (LSB) |
| 16 | Length of register data to write (Bytes) |
| 17 | Register data 0 (MSB) |
| 18 | Register data 0 (LSB) |

Slave response data

| Byte | Description |
|------|--------------------------------------|
| 7 | Function code 0x17 |
| 8 | Length of data in read block (Bytes) |
| 9 | Register data (MSB) |
| 10 | Register data (LSB) |

The normal response includes the function code, number of data bytes in the read block followed by the register data (unless an exception occurs).

If 32-bit parameter addressing is used:

- For each parameter read or written, two 16-bit registers must be used in the request
- For each parameter written, four bytes must be specified in the request
- For each parameter read, four bytes of data will be used in the response

Example

To write the value 12345 to drive parameters **0.20.021** through **0.20.023** and read the values of parameters **0.20.024** through **0.20.026** (Transaction ID=42) using standard addressing:

Master request data

| Byte | Hex value | Description |
|-------|----------------|---|
| 0-1 | 00 2A | Transaction ID (42) |
| 2-3 | 00 00 | Protocol ID (0=TCP/IP) |
| 4-5 | 00 17 | Length (Bytes=6) |
| 6 | FF | Unit identifier (FF= Drive) |
| 7 | 17 | Function code (23) |
| 8-9 | 47 E7 | Start read register (0.20.023) |
| 10-11 | 00 06 | Number of read registers (6) |
| 12-13 | 47 E4 | Start write register (0.20.020) |
| 14-15 | 00 06 | Number of write registers (6) |
| 16 | 0C | Length of register data to write (Bytes=12) |
| 17-20 | 00 00 30 39 | Register data 0 (12345) |
| 21-24 | 00 00 30 39 | Register data 1 (12345) |
| 25-28 | 00 00 30 39 | Register data 2 (12345) |

Slave response data

| Byte | Hex value | Description |
|-------|----------------|---------------------------------------|
| 0-1 | 00 2A | Transaction ID (42) |
| 2-3 | 00 00 | Protocol ID (0=TCP/IP) |
| 4-5 | 00 0F | Length (Bytes=15) |
| 6 | FF | Unit identifier (FF= Drive) |
| 7 | 17 | Function code (23) |
| 8 | 0C | Length of data (Bytes=12) |
| 9-12 | ?? ?? ?? ?? | Register data 0 (Pr 0.20.024) |
| 13-16 | ?? ?? ?? ?? | Register data 1 (Pr 0.20.025) |
| 17-20 | ?? ?? ?? ?? | Register data 2 (Pr 0.20.026) |

7.2.11 Modbus Exception Response Message

If the master request is rejected then an exception response message will be returned.

Exception Response Message

| Byte | Hex value | Description |
|------|-----------|---|
| 0-1 | ?? ?? | Transaction ID (defined by Modbus Master) |
| 2-3 | 00 00 | Protocol ID |
| 4-5 | 00 03 | Number of data bytes to follow |
| 6 | ?? | Unit identifier |
| 7 | ?? | Function code (request FC with bit b7 set to 1) |
| 8 | ?? | Exception code 01 = Function code not supported 02 = Invalid register address |

The master request function code will be returned but with bit b7 set (e.g. function code 0x03 will be returned as 0x83)

7.3 RTMoE (Real Time Motion over Ethernet)

This is a communication protocol developed to support the functionality previously offered by CTNet and CTSync.

RTMoE provides:

- Drive synchronization using the Precision Time Protocol (PTP) otherwise known as IEEE1588 V2
Each PTP device has a tuneable clock running. Following an arbitration process the devices select a master and tune their clocks until they are synchronized to that master. This process may take several seconds to complete.
- Data transfer
 - Cyclic data (synchronous and non-synchronous) is sent using the User Datagram Protocol (UDP)
 - Non-cyclic data is sent using the Transmission Control Protocol (TCP)
- Cycle time down to 500 μ s
- Jitter less than 1 μ s

RTMoE can be configured in two ways:

- Via Machine Control Studio using the cyclic link editor or
- Via parameters using the Easy Mode menus (10 and 11)

The full capabilities of RTMoE are available only when using Machine Control Studio.

Table 7-6 shows the comparison between Easy Mode and Machine Control Studio support levels.

Table 7-6 RTMoE Support levels

| Capability | Support Level | | | |
|---------------------------------------|---------------|-------------------------------|------------------------|---------------------------------|
| | Easy Mode | | Machine Control Studio | |
| | M200-M400 | M600-M70x | M200-M400 | M600-M70x |
| Non-cyclic communication | Yes | Yes | Yes | Yes |
| Total number of transmit cyclic links | 3 | 3 | 5 | 5 |
| Total number of receive cyclic links | 3 | 3 | 5 | 5 |
| Max transmit synchronous links | N/A | 1 | N/A | 1 |
| Max receive synchronous links | N/A | 1 | N/A | 1 |
| Max length of non-synchronous link | 10 x 32-bit | 10 x 32-bit | 10 x 32-bit | 10 x 32-bit |
| Max length of synchronous link | N/A | 3 x 32-bit | N/A | 3 x 32-bit |
| Minimum transmission period | 10 ms | 1 ms | 10 ms | 500 µs |
| Synchronized with AMC | N/A | Yes (when cycle time >= 1 ms) | N/A | Yes (when cycle time >= 500 µs) |
| Synchronized with onboard program | N/A | Yes (when cycle time = 4 ms) | N/A | Yes (when cycle time = 4 ms) |
| Max parameter accesses per second | 200 | 6000 | 200 | 6000 |
| Max messages per second (S.02.004) | 8000 | 8000 | 8000 | 8000 |

NOTE The number of cyclic links is limited to a maximum of 2 when accessing the option module internal parameters (e.g. the PLC register menus 7x).

| |
|-----------------------------------|
| Safety Information |
| Introduction |
| Mechanical Installation |
| Electrical Installation |
| Getting started |
| Parameters |
| Key features and Protocols |
| PC Tools Applications |
| Security |
| Diagnostics |
| Glossary of terms |
| Index |

7.3.1 RTMoE Message rate capability

When designing a network, the message loading for each device should be checked to ensure the number of messages do not exceed the maximum recommended value.

Consider the following example where a Unidrive M700 is communicating with three other devices over Ethernet using Modbus TCP/IP (10 parameters read every 100 ms), EtherNet/IP (5 parameters read every 10 ms and 5 parameters written every 10 ms) and RTMoE (2 parameters written every 500 µs).

| Protocol | Number of Parameters | Rate | Parameters accessed / second | Message rate / second |
|--------------------|----------------------|--------|------------------------------|-----------------------|
| Modbus TCP/IP | 10 x read | 100 ms | 100 | 10 |
| EtherNet/IP | 5 x read | 10 ms | 500 | 100 |
| | 5 x write | 10 ms | 500 | 100 |
| RTMoE | 2 x write | 500 µs | 4000 | 2000 |
| Total | | | 5100 | 2210 |
| Maximum supported | | | 6000 | 8000 |
| Within capability? | | | ✓ | ✓ |

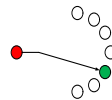
7.3.2 RTMoE Message type

From the system design, it should be known how many drives will be used and what data needs to be sent where. There are two fundamental ways of sharing data:

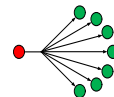
- Cyclic data – use cyclic links for important information relating to the dynamic behavior of the machine (e.g. control word, speed reference, etc.)
- Non-cyclic data – used for non time-critical information (e.g. drive setup data) A user program must be used to control the transfer of non-cyclic messages. (see *Non cyclic enable (S.02.035)* and *Non cyclic base parameter (S.02.036)*)

Each cyclic message can be one of three types:

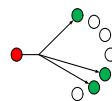
- 1 Unicast – used if data needs to go from one device to another



- 2 Broadcast – used if data needs to go from one device to all other devices



- 3 Multicast – used if data needs to go from one device to a subset of the other devices



By choosing the most appropriate transmission type an efficient and reliable network can be designed.

For example:

- Three drives must use an ELS (Electronic Line Shaft) to follow a Smart Drive. In this case a **multicast** message should be used to transmit the reference position from the Smart Drive.
- Three drives need to return general status information to the Smart Drive. In this case, each drive should send a **unicast** message to the Smart Drive.
- The Smart Drive needs to command all other drives to stop/start. The Smart Drive should use a broadcast message to transmit the command to all the other drives.

NOTE Broadcast messages should be used with care, bottlenecks in the network can be easily created by using broadcast messages, this will reduce the performance of the network and, in extreme situations, seriously impair the system operation.

Unicast

A unicast link will only be processed by the specified destination address, the transmitting device specifies the destination address in **S.10.015**, **S.10.025** or **S.10.035** (Tx1, Tx2 or Tx3 respectively) and the receiving link in the relevant device must be set to “Direct” in **S.10.044**, **S.10.054** or **S.10.064** (Rx1, Rx2 or Rx3 respectively).

Multicast

A multicast link can be processed by more than one destination address, the transmitting device configures the multicast address group (Multicast1, Multicast2, Multicast3 or Multicast4) in **S.10.014**, **S.10.024** or **S.10.034** (Tx1, Tx2 or Tx3 respectively), the appropriate multicast destination address is automatically set in **S.10.015**, **S.10.025** or **S.10.035** (Tx1, Tx2 or Tx3 respectively), a receiving link on the same network must be configured to use the same multicast address group as specified in **S.10.014**, **S.10.024** or **S.10.034** (Tx1, Tx2 or Tx3 respectively) in **S.10.044**, **S.10.054** or **S.10.064** (Rx1, Rx2 or Rx3 respectively).

Any device on the same network as the transmitting device may be configured to receive a multicast message.

Each cyclic link can be configured for one of four multicast addresses, this means that on any given network, there may be up to four groups of multicast addresses.

The multicast addresses used are in the local scope addresses ranging from 239.255.0.1 to 239.255.0.4.

Broadcast

A broadcast link can be processed by any device on the network, the transmitting device sets the message type as “Broadcast” in **S.10.014**, **S.10.024** or **S.10.034** (Tx1, Tx2 or Tx3 respectively), the broadcast IP address (255.255.255.255) will be automatically set in **S.10.015**, **S.10.025** or **S.10.035** (Tx1, Tx2 or Tx3 respectively), a receiving link on the same network must be configured to “Direct” in **S.10.044**, **S.10.054** or **S.10.064** (Rx1, Rx2 or Rx3 respectively).

Any device on the same network as the transmitting device may be configured to receive a broadcast message.

7.3.3 Checking for bottlenecks

There are three main reasons why a bottleneck occurs:

1. A drive is receiving more Ethernet messages than it can handle (8000 frames per second).
2. A drive is being asked to access more parameters than it can handle (6000 parameters per second for M600 and M700, 500 parameters per second for M200, M300 and M400).
3. A segment of the network has reached it's bandwidth limit.

For a full duplex 100Mbit/sec Ethernet network, assuming all Ethernet messages are the maximum 1500 bytes in length, the bandwidth is 8000 frames/sec in each direction.

- NOTE**
- It is unrealistic to assume that all messages will be full frames
 - In reality the maximum number of frames/sec will be higher
 - A more detailed frame analysis may be performed if necessary but the values stated can be used to quickly determine whether bottlenecks could be a problem

7.3.4 RTMoE Message synchronization

Cyclic messages can be synchronized or non-synchronized.

Only one synchronized cyclic link in each direction (one transmit and one receive) is possible so these should only be used for high precision applications where the motion of multiple drives must be closely coupled (e.g. printing applications). All other messages should be sent using a non-synchronized cyclic link.

By default, all cyclic links are non-synchronous, if a synchronous link is required then the relevant link number profile for both the transmit link and receive link must be set to "Sync".

Synchronized cyclic data links utilise the IEEE1588 clock time distributed across the network. The IEEE1588 clock can synchronize the drive's control loops to within a 1 μ s accuracy, Pr **0.11.002** *Option Synchronisation Active* displays the active option slot providing synchronization. With synchronized control loops the Ethernet interface can be used to transfer drive parameters containing motion information, including those from the AMC.

Synchronous links work by including the time of when the data should be used along with the data values. This time allows enough time for the cyclic link to reach all destination devices, the time allowed for can be set in *Easy Mode Maximum Network Delay* (**S.11.030**). The receiving interface will wait for its current time to match the timestamp in the cyclic link before processing the message.

With normal Ethernet there are a number of variables that can impact upon the performance of the network. These include:

- Delays through switches - Ethernet is a switched network and messages are typically copied completely into a switch before being forwarded on. *This is fundamental to modern Ethernet and cannot be influenced by system design.*
- Message length – the longer a message, the longer it will take to transmit and copy into a switch before forwarding it on. For a synchronous cyclic link frame this delay is 12 μ s, for a full Ethernet frame it is 120 μ s.
Message length can be controlled, but to maximise compatibility with other Ethernet traffic, it is sensible to allow for full frame Ethernet messages where possible.
- Length of daisy chain - A daisy chain with Ethernet is really a chain of three port switches. This can be controlled through physical network design e.g. using a tree structure to limit the length of daisy chains.

The above delays (Latency) are managed in software, in conjunction with PTP, to ensure that all device use synchronous data at the same time, but the length of the daisy chain must be controlled by careful network design.

7.3.5 General guidelines for synchronous cyclic data

The following guidelines provide a simple way of specifying a network supporting synchronous cyclic data that offers accurate synchronization and guaranteed determinism, whilst maintaining compatibility with standard Ethernet traffic.

- Limit daisy chains to 10 drives
- Where more than 10 drives are used, create a tree structure using a switch
- Any Ethernet switches must support IEEE1588 V2
- Segregate the network using VLANs and gateways
- Assign one device to be the synchronization master for each segregated network

7.3.6 Segregating the network

If synchronous cyclic links are used, for best reliability it is sensible to segregate the network. This means:

- Assign one (or more) drive(s) to be a gateway, which ensures messages entering the segregated section are stripped of any existing prioritisation information. (See *Gateway Mode (S.02.025)*)
- Ensure that **VLAN** (Virtual Local Area Network) is enabled on all devices so that synchronous data can be prioritized as it is passed between switches. (See *VLAN Enable (S.02.030)* and *Drive VLAN ID (S.02.031)*)
- Use multiple Master Clock Domains. (See *Master Clock Domain (S.11.002)*)

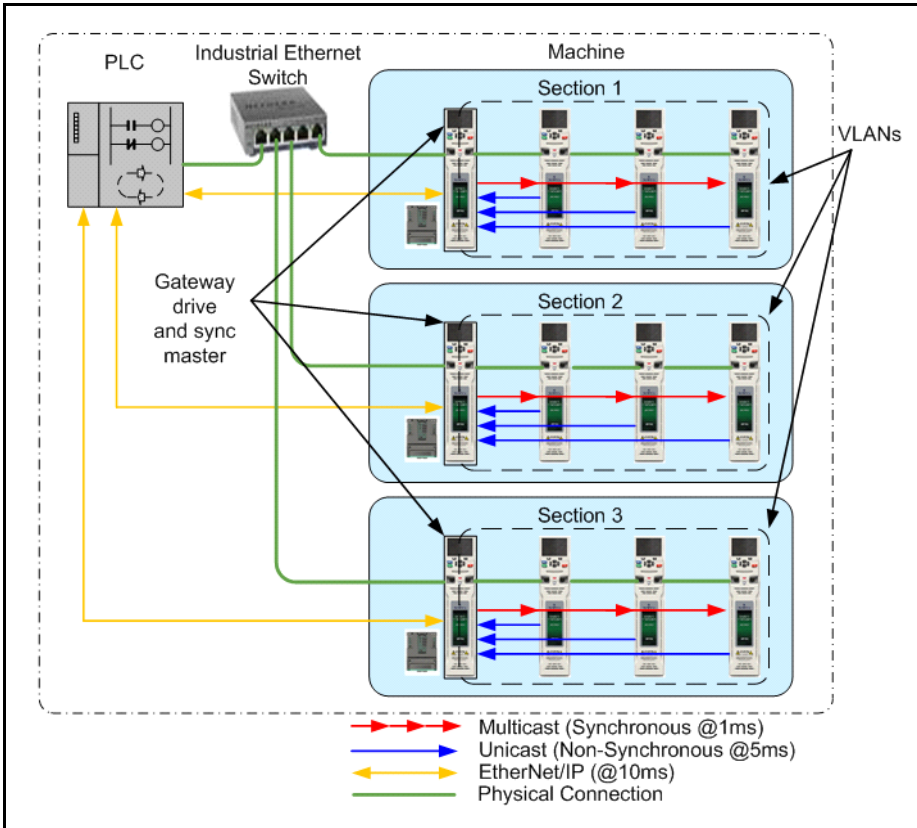
7.3.7 Synchronization master

If a synchronous cyclic link is used then one device must be a synchronous master, if this is an existing 3rd party device then, to minimize the initialization time, all other devices/drives on the network should not be allowed to become the synchronous master. To disable the drive from becoming the synchronous master then set the value in *Preferred Sync Master (S.11.001)* to 0, this ensures the drive does not become the synchronous master.

If there is no existing synchronous master then a suitable drive should be chosen (see *Preferred Sync Master (S.11.001)*), in choosing which drive to be the synchronous master, the physical position of the drives and network layout should be considered so as to minimize the number of switches each message has to pass through.

A typical segregated network using VLANs and gateways consisting of three separate sections of a machine controlled by one master PLC is shown in the following diagram.

Figure 7-3 Typical separately synchronized segregated network



NOTE Configuring a single drive to act as both gateway and synchronization master will increase the message loading on that drive, in some situations this may result in a reduction of the network performance. In these situations, separate drives should be used for the gateway and synchronization master.

NOTE For the gateway mode to operate correctly, the standard Ethernet network must be connected to port 1 on the drive and the real-time Ethernet to port 2 as shown in Figure 7-3.

7.3.8 Parameter Mapping Configuration

Each cyclic link (transmit and receive) must have a unique link number (from 1 to 255) to identify it, this link number must be specified in both the transmitting device and receiving device.

For each cyclic link a start parameter and number of consecutive parameters must be defined along with the message type, for a transmit link the destination address (if not a broadcast) and message rate must also be configured. A typical requirement is to transmit and receive parameter values from non-consecutive parameters. This can be performed by configuring a suitable drive menu 0 parameter as the start parameter and the required number of parameters as the count. Drive menu 22 of the drive can be used to configure what parameters the selected drive menu 0 parameters point to.

For example to configure a synchronized cyclic link with control word and speed reference the following parameters would be required:

Transmit Link

| Parameter | Description | Value |
|-----------------|--------------------------------|---------------|
| S.10.010 | Tx1 Link Profile | Sync (1) |
| S.10.011 | Tx1 Link Number | 1 |
| S.10.012 | Tx1 Source Parameter | 0.00.060 |
| S.10.013 | Tx1 Count | 2 |
| S.10.014 | Tx1 Transmission Type | Broadcast (1) |
| S.10.016 | Tx1 Message Rate | 2 ms |
| 0.22.060 | Parameter 00.060 Set-up | 6.042 |
| 0.22.061 | Parameter 00.061 Set-up | 1.021 |

Receive Link

| Parameter | Description | Value |
|-----------------|--------------------------------|------------|
| S.10.040 | Rx1 Link Profile | Sync (1) |
| S.10.041 | Rx1 Link Number | 1 |
| S.10.042 | Rx1 Destination Parameter | 0.00.060 |
| S.10.043 | Rx1 Count | 2 |
| S.10.044 | Rx1 Source Type | Direct (0) |
| 0.22.060 | Parameter 00.060 Set-up | 6.042 |
| 0.22.061 | Parameter 00.061 Set-up | 1.021 |

7.3.9 VLANs

To guarantee the timing of synchronous links VLANs must be enabled using *VLAN Enable* (S.02.030). VLANs include a priority field that is applied to all messages. This field is used to apply a higher priority to synchronous cyclic data than other non-deterministic traffic.

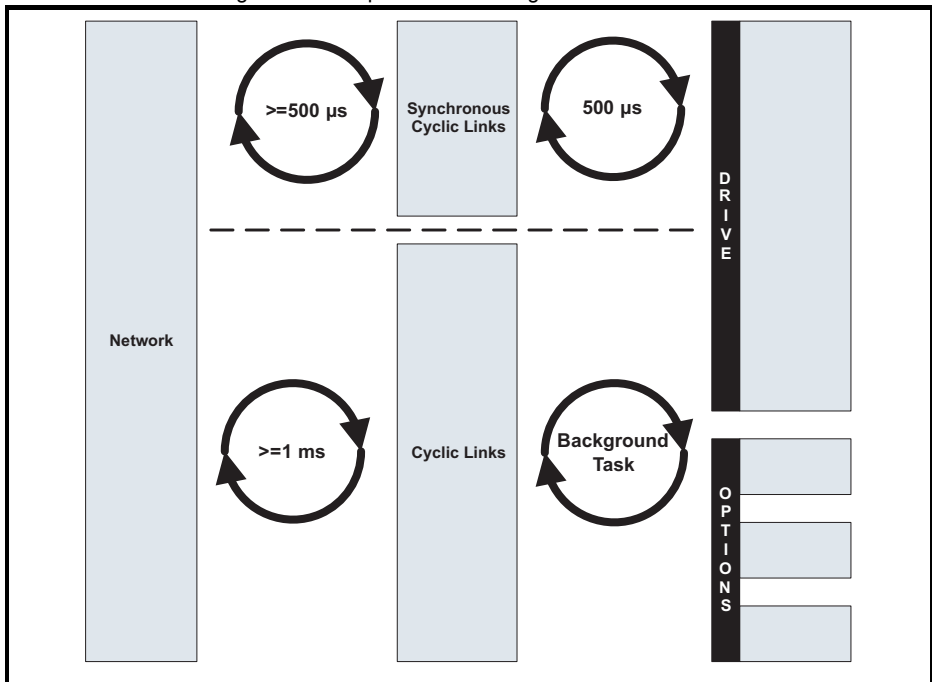
7.3.10 Virtual Master

It is possible to send cyclic data to devices on the network and use the same data on the transmitting device. The cyclic links must be synchronous to include timing information. On the transmitting device a receive link must also be configured with a matching link number to the transmit link. For this link you must set *Rx1 Source Type* (S.10.044) to be *Local*. The Ethernet interface will delay the usage of the data transmitted until the same point in time that all receiving slaves will use the data.

7.3.11 Parameter Update Rate

Parameters are exchanged over the network. The value exchanged over the network must be exchanged with the drive or option parameter. The rate of data exchange differs for synchronous and non-synchronous cyclic links as well as for drive and option destinations.

The diagram below depicts the update cycles used within the Ethernet interface. Cyclic link mappings being exchanged with the drive will be updated at the background task rate. This rate (*Background cycles per second* (S.09.008)) varies with the load on the Ethernet interface; EtherNet/IP data exchange also takes place in the background task.



7.4 Non-cyclic data access

Unidrive M supports the use of non-cyclic data access by user programs.

By simply enabling non-cyclic data (*Non-cyclic mode enabled (S.02.035)*) and specifying a base parameter (*Non-cyclic base parameter (S.02.036)*), a user program can be used to read or write a parameter either locally in the host drive or option module, or in another drive or option module on the network.

Table 7-7 Non-cyclic data parameter functions

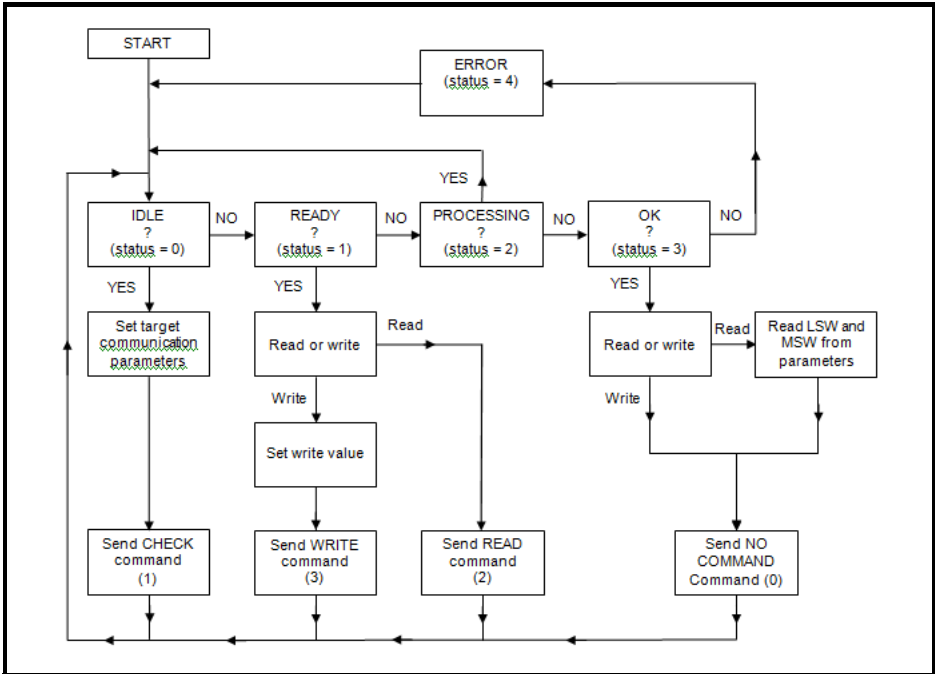
| Parameter | Function | | Bits |
|----------------------------|-----------------------------------|--|---------------|
| Base address (S.02.036) | Command | 0 = No command 1 = Check / Abort 2 = Read one parameter 3 = Write one parameter | 0 to 7 (LSB) |
| | Status | 0 = Idle 1 = Ready 2 = Processing 3 = OK 4 = Error | 8 to 15 (MSB) |
| Base address + 1 | Destination IP address wwwxxx | | 0 to 15 |
| Base address + 2 | Destination IP address yyyzzz | | 0 to 15 |
| Base address + 3 | Parameter address SMM | | 0 to 15 |
| Base address + 4 | Parameter address PPP | | 0 to 15 |
| Base address + 5 | Parameter value LSW or error code | | 0 to 15 |
| Base address + 6 | Parameter value MSW | | 0 to 15 |

The base address specifies the first parameter in a group of seven consecutive parameters that will be used to read from or write to a parameter in the drive or option module at the specified IP address by a user program.

The non-cyclic data access feature operates on a “state machine” principle, this means that the commands must be sent in the correct sequence otherwise the parameter access will fail.

The following diagram illustrates the operation of the non-cyclic parameter access state machine.

Figure 7-4 Non-cyclic parameter access state machine



7.4.1 Setting the destination node IP address

When setting the destination node IP address parameters, each parameter contains two octets of the IP address. i.e. the most significant two octets (www.xxx) of the IP address is written to the base address + 1 parameter and the least significant two octets (yyy.zzz) of the IP address is written to the base address + 2 parameter.

Because each octet is an unsigned byte and the parameter used to store the combined value is a signed 16-bit parameter, the following sequence must be used:

Base address + 1 (www.xxx)

1. “www” – bit shift left 8 times, clear upper 16 bits and lower 8 bits
2. “xxx” – clear upper 24 bits
3. Bitwise OR the two values
4. Correct the result for negative value

Base address + 2 (yyy.zzz)

1. “yyy” – bit shift left 8 times, clear upper 16 bits and lower 8 bits
2. “zzz” – clear upper 24 bits
3. Bitwise OR the two values
4. Correct the result for negative value

As an example, the following code may be used in the user program:

```
// Set the IP address
WWWXXX% = ((www% << 8) & 0x0000FF00) | (xxx% & 0x000000FF)
YYYZZZ% = ((yyy% << 8) & 0x0000FF00) | (zzz% & 0x000000FF)
// Handle the casting from 32bit variable to 16bit parameter
IF WWWXXX% > 32767 THEN
    // Subtract 65536
    WWWXXX% = WWWXXX% - 65536
ENDIF
IF YYYZZZ% > 32767 THEN
    // Subtract 65536
    YYYZZZ% = YYYZZZ% - 65536
ENDIF
```

7.4.2 Setting the destination slot and menu (Base address + 3)

The destination slot and menu address is sent in the format SMM, where S is the slot number and MM is the two digit menu number.

Examples

- For the drive application menu 3, the value sent would be “20”.
- For the SI-Applications Plus register 70 in slot 3, the value sent would be “370”.

NOTE Only menus numbers 0 to 99 are possible using this method.

7.4.3 Setting the destination parameter address (Base address + 4)

The destination parameter address is sent in the format PPP, where PPP is the three digit parameter number.

Examples

- For parameter “021”, the value sent would be “21”.
- For parameter “104”, the value sent would be “104”.

7.4.4 Setting the parameter value to write

The destination parameter value is sent in two signed 16-bit values, therefore it must be converted into two signed 16-bit words.

Base address + 5 (LSW)

The least significant word of the parameter value is converted to a signed 16-bit value stored in a 32-bit variable by bitwise ANDing it with the hexadecimal value 0x00007FFF and subtracting the decimal value 32768 if the result was greater than the decimal value 32767.

Base address + 6 (MSW)

The most significant word of the parameter value is converted to a signed 16-bit value stored in a 32-bit variable by bitwise shifting it 16 places right and bitwise ANDing the result with the hexadecimal value 0x00007FFF, then subtracting the decimal value 32768 if the most significant bit is set to 1.

Examples:

| Value to write | MSW | | LSW | |
|----------------|---------|----------|---------|----------|
| | Decimal | Hex | Decimal | Hex |
| 3515 | 0 | 00000000 | 3515 | 00000DBB |
| 123456 | 1 | 00000001 | -7616 | FFFFE240 |
| -123456 | -2 | FFFFFFFE | 7616 | 00001DC0 |
| -678900 | -11 | FFFFFFF5 | -23540 | FFFA40C |

As an example, the following code may be used in the user program:

```
// Writing
// Calculate the value to write LSW
LSW% = Value% & 0x00007FFF

// Handle the casting from 32bit variable to 16bit parameter
IF Value%.15 = True% THEN
    // Subtract 32768
    LSW% = LSW% - 32768
ENDIF

// Write it to the correct parameter
Address% = BaseAddress% + 5
#Address% = LSW%

//Calculate the value to write MSW
MSW% = (Value% >> 16) & 0x00007FFF

// Handle the casting from 32bit variable to 16bit parameter
IF Value%.31 = True% THEN
    // Subtract 32768
    MSW% = MSW% - 32768
ENDIF

// Write it to the correct parameter
Address% = BaseAddress% + 6
#Address% = ValueMSW%
```

NOTE BaseAddress% is the parameter specified in **S.02.036**

7.4.5 Reading the parameter value

The required parameter value is read from two signed 16-bit values, these two values must then be correctly merged to form the correct 32-bit value.

Base address + 5 (LSW)

The least significant word of the parameter value is read and converted from a signed 16-bit value and stored in a 32-bit variable, this value is then bitwise ANDed with the hexadecimal value 0x0000FFFF.

If an error is indicated in the status value then this value will identify the cause of the error.

Base address + 6 (MSW)

The most significant word of the parameter value is read and converted from a signed 16-bit value and stored in a 32-bit variable by bitwise shifting it 16 places left and bitwise ANDing the result with the hexadecimal value 0x0000FFFF.

The actual value is then calculated by bitwise ORing the two words together.

If the source parameter was a 16-bit parameter and the most significant bit (b15) was set to 1 (indicating a negative number) then the decimal value 65536 is subtracted.

As an example, the following code may be used in the user program:

```
// Read complete
// Get the LSW value
Address% = BaseAddress% + 5
LSW% = #Address%

// Get the MSW value
Address% = BaseAddress% + 6
MSW% = #Address%

Value% = (LSW% & 0x0000FFFF) | ((MSW% << 16) & 0xFFFF0000)

// Correct for 16bit -ive values
IF Bit32% = 0 THEN
    // 16 bit
    IF Value%.15 = 1 THEN
        // Correct for negative number
        Value% = Value% - 65536
    ENDIF
ENDIF
```

NOTE BaseAddress% is the parameter specified in **S.02.036**.
Bit32% specifies the source parameter as 16-bit or 32-bit (0 = 16-bit. 1 = 32-bit).

7.5 EtherNet/IP

The Ethernet interface supports the EtherNet/IP protocol and conforms to the EtherNet/IP adaptation of the Common Industrial Protocol (CIP) Specification. This is the same upper-layer protocol and object model as used in DeviceNet.

The Ethernet interface module will operate as a slave device and the following functionality is supported:

- Variable length input assembly object (instance 100) with consistency for up to 32 parameters
- Variable length output assembly object (instance 101) with consistency for up to 32 parameters
- User selectable RPI timeout action
- Identity object (class 0x01)
- Motor data object (class 0x28)
- Control supervisor object (class 0x29)
- AC/DC Drive object (class 0x2A)
- Control Techniques objects (classes 0x64 to 0x69)
- Explicit (non-cyclic) access to parameters

7.5.1 Requested Packet Interval (RPI) timeout

This timeout is defined by the EtherNet/IP protocol and is configured in the PLC master. If enabled, the Ethernet interface will monitor the data traffic once the cyclic data has been established, and if data is not received within the specified time, it will perform the requested action as defined by Pr **S.20.011 RPI timeout action**. This indicates that the interface has detected that the cyclic data communication has been interrupted.

NOTE The RPI timeout action will only occur on a loss of cyclic data message, i.e. after cyclic data has been established and subsequently lost. No action will be taken if no cyclic data has been detected.

7.5.2 Read consistency

Under normal conditions, cyclic data is sampled and transmitted at the Requested Packet Interval (RPI). However, if an option module was in the process of modifying the mapped parameters while these parameters were being sampled, then the data transmitted across the network may not be consistent across the entire assembly object. If read consistency is enabled (**S.20.026 In Consistency Enable**) and a trigger parameter specified in *In Consistency Trigger Param* (**S.20.027**) then data will only be sampled and transmitted when the trigger parameter *In Consistency Trigger Param* (**S.20.027**) contains a non-zero value. This trigger parameter will then be set to zero after the data has been sampled.

It is therefore possible, by controlling the trigger parameters, that a user program in the drive or option module can ensure that the values in the cyclic data parameters are not sampled until all values are updated.

Whether consistency is enabled or not, data will always be consistent for an individual parameter, i.e. all 4 bytes of a 32-bit value will be consistent.

7.5.3 Write consistency

Under normal conditions, cyclic data is sampled and written at the Requested Packet Interval (RPI). However, if an option module was in the process of reading the mapped parameters while these parameters were being written, then the data obtained may not be consistent across the entire assembly object. If write consistency is enabled (*Out Consistency Enable* (S.20.028)) and a trigger parameter specified in *Out Consistency Trigger Param* (S.20.029) then new data will only be written to the drive (or option module) when the trigger parameter *Out Consistency Trigger Param* (S.20.029) contains a value of zero. This trigger parameter will then be set to one after the data has been written.

It is therefore possible, by controlling the trigger parameters, that a user program in the drive or option module can ensure that the values in the cyclic data parameters are not sampled until all values are updated.

Whether consistency is enabled or not, data will always be consistent for an individual parameter, i.e. all 4 bytes of a 32-bit value will be consistent.

Example

In this example, Pr **0.18.031** is set as the input trigger and Pr **0.18.032** is set as the output trigger. The EtherNet/IP master is configured to check the values of Pr **0.20.011** and Pr **0.20.012** are equal and write the same value to Pr **0.20.021**. The SI-Applications Plus module is configured to generate a ramp value between -32768 and 32767 to write to Pr **0.20.011** and Pr **0.20.012** when the value of Pr **0.20.021** is equal to the ramp value.

With the input and output consistency enabled, parameters Pr **0.20.011** and Pr **0.20.012** will be sampled and transmitted to the EtherNet/IP master when the input trigger parameter Pr **0.18.031** is a non-zero value, Pr **0.20.021** will be written to when the output trigger parameter Pr **0.18.032** is a value of zero.

The parameter changes required are:

| | |
|--|-------------|
| S.20.020 <i>Input assembly object size</i> | = 8 (bytes) |
| S.20.021 <i>Output assembly object size</i> | = 4 (bytes) |
| S.20.026 <i>In Consistency Enable</i> | = On |
| S.20.027 <i>In Consistency Trigger Param</i> | = 0.18.031 |
| S.20.028 <i>Out Consistency Enable</i> | = On |
| S.20.029 <i>Out Consistency Trigger Param</i> | = 0.18.032 |
| S.21.001 <i>Input mapping parameter 1</i> | = 0.20.011 |
| S.21.002 <i>Input mapping parameter 2</i> | = 0.20.012 |
| S.22.001 <i>Output mapping parameter 1</i> | = 0.20.021 |

The user program in the SI-Applications Plus module may be written as follows (some changes may be necessary to account for bus cycle times and parameter update rates):

Initial{

 // Initialise variables

 NewValue% = 0

 #86.03 = 0 // Set digital output0 off

 #86.04 = 0 // Set digital output1 off

 #20.011 = 0 // Set input parameter 1 to 0

 #20.012 = 0 // Set input parameter 2 to 0

 #20.021 = 0 // Set output parameter 1 to 0

 REINIT // Initialise configuration

} //Initial

Background{

top:

IF #18.32 = 1 THEN

 // Output trigger set

 // Check first sum value against NewValue

 IF #20.021 = NewValue% THEN

 // OK increment values by 1

 NewValue% = NewValue% + 1

 IF NewValue% > 32767 THEN NewValue = -32768

 #20.011 = NewValue%

 #20.012 = NewValue%

 // Set input trigger – Read input parameters and transmit to master

 #18.031 = 1

 // Delay for PLC to get inputs - depends on cycle time and
parameter access time

 DO WHILE #18.031 = 1

 // Dummy command

 NewValue% = NewValue%

 LOOP

 // Reset output trigger

 #18.032 = 0

 // Delay for outputs to be written - depends on parameter access time

 DO WHILE #18.032 = 0

 // Dummy command

 NewValue% = NewValue%

 LOOP


```

ELSE
    // ERROR - set DOP0 ON
    #86.03 = 1
ENDIF

```

```
ENDIF
```

```

goto top: // main background loop
} //Background

```

7.5.4 Non-cyclic (explicit) data transfer

Non-cyclic or explicit messaging is used to read and write parameters non-cyclically by means of assembly objects. All of the AC Drives profile attributes can be accessed using explicit messaging. The *Control Techniques* objects provide access to all drive and slot parameters using the following format.

| Object | CT Group | CT This Slot | CT Slot 1 | CT Slot 2 | CT Slot 3 | CT Slot 4 |
|-------------------|--------------------------------|--------------|------------|------------|------------|------------|
| Class code | 100 (0x64) | 101 (0x65) | 102 (0x66) | 103 (0x67) | 104 (0x68) | 105 (0x69) |
| Instance | Menu | | | | | |
| Attribute | Parameter | | | | | |
| Read code | 14 (0x0E) Get_Attribute_Single | | | | | |
| Write code | 16 (0x10) Set_Attribute_Single | | | | | |

NOTE An instance value of 0 is not a valid value in this context, therefore an instance value of 200 (0xC8) should be used to access menu 0 parameters. For more information on the *Control Techniques* object see section 7.5.22 *Control Techniques objects* on page 191.

7.5.5 Cyclic (implicit or polled) data transfer

Cyclic data is a method of data transfer that must be setup during network configuration, but is transmitted automatically at the determined rate once configuration is complete.

EtherNet/IP transfers cyclic data using assembly objects, "cyclic data" is sometimes referred to as "Polled data" or "implicit data".

The terms "input" and "output" refer to data from the perspective of the PLC, an "output" assembly object transfers data from the PLC to the drive, an "input" assembly object transfers data from the drive to the PLC.

NOTE Some PLCs provide the option of transmitting a configuration assembly object. The Ethernet interface does not use a configuration object; if one is required by the PLC then instance 1 should be specified with a length of 0 bytes.

7.5.6 Configuring EtherNet/IP cyclic parameters

In order to use cyclic data over EtherNet/IP, the EtherNet/IP interface must be configured to map the required parameter data to the assembly object.

For drive parameter access, object 100 (0x64) is used for reading parameters and object 101 (0x65) is used for writing parameters. The pre-defined assembly objects as listed in Table 7-8 *Supported drive assembly objects* can also be configured as cyclic data.

7.5.7 Configuring the PLC

Due to the many different makes of PLCs available, the information in this section may not be relevant to all types of PLCs. The information supplied in this section relates to the “ControlLogix” family of controllers supplied by “Allen Bradley”.

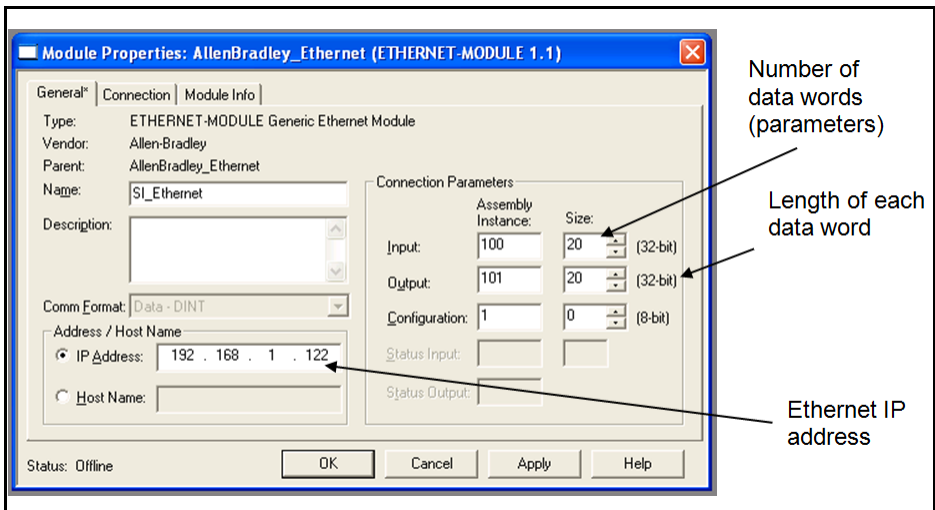
NOTE Although the Allen Bradley PLCs are mentioned in this document, this does not represent an endorsement of any particular PLC type or PLC manufacturer.

When configuring the PLC for cyclic communication with Unidrive M, the length of each parameter data word and the number of parameters must be specified correctly, Figure 7-5, shows the PLC configuration for 20 input parameters and 20 output parameters, as each parameter consists of 32 bits (4 bytes), the length of each data word should be set to 32 bits (DINT - double integer word).

The length of each data word must normally be configured when the Ethernet module is created within the PLC and can not be changed. If a different length is required then a new Ethernet module must be created.

In order to communicate with the Unidrive M, the PLC must have the Ethernet IP address set correctly as illustrated in Figure 7-5.

Figure 7-5 PLC configuration



7.5.8 Assembly objects

An assembly object is an object which contains a group of attributes to control or monitor the drive operation. These attributes can be members of EtherNet/IP objects or drive parameters. The Ethernet interface supports a series of standard assembly objects and two *Control Techniques* objects (100 and 101) to access the drive parameters (see Table 7-8 *Supported drive assembly objects* on page 163).

NOTE Conformance with the pre-defined assembly objects specification can only be guaranteed if the speed reference configuration of the drive has not been changed from the default settings. For information on setting default values, refer to the appropriate drive user guide.

Table 7-8 Supported drive assembly objects

| Assembly object name | Class | | Length (Bytes) | Type | Default Mappings | |
|----------------------|---------|----------|----------------|--------|------------------|-----------------|
| | Decimal | Hex (0x) | | | Bytes 0 to 3 | Bytes 4 to 7 |
| PrimaryI | 100 | 64 | 4 to 80 | Input | 0.10.040 | 0.02.001 |
| BscSpdCtrlI | 70 | 46 | 4 | Input | | |
| ExtSpdCtrlI | 71 | 47 | 4 | Input | | |
| SpdTrqCtrlI | 72 | 48 | 6 | Input | | |
| ExtSpdTrqCtrlI | 73 | 49 | 6 | Input | | |
| PrimaryO | 101 | 65 | 4 to 80 | Output | 0.06.042 | 0.01.021 |
| BscSpdCtrlO | 20 | 14 | 4 | Output | | |
| ExtSpdCtrlO | 21 | 15 | 4 | Output | | |
| SpdTrqCtrlO | 22 | 16 | 6 | Output | | |
| ExtSpdTrqCtrlO | 23 | 17 | 6 | Output | | |

7.5.9 Basic speed control

Output assembly object 0x14 (20₁₀)

The PLC or scanner must be configured for 4 output bytes (or 2 output words) if this assembly object is to be used.

Table 7-9 Basic speed control

| Data word | Function |
|-----------|--------------------------------------|
| Word 0 | Basic control word. |
| Word 1 | Speed reference (<i>SpeedRef</i>). |

Basic control word

The basic control word consists of 2 bytes (16 bits), with only 2 bits of the low byte being used as shown below.

| | | | | | | | |
|------------|------------|------------|------------|------------|------------|-----------|-----------|
| b15 | b14 | b13 | b12 | b11 | b10 | b9 | b8 |
| | | | | | | | |
| b7 | b6 | b5 | b4 | b3 | b2 | b1 | b0 |
| | | | | | FaultRst | | RunFwd |

The individual bit functions are described as follows:

| Name | Control Word | Description |
|----------|--------------|--|
| RunFwd | b0 | Set this bit to command the drive to run in the forward direction. |
| FaultRst | b2 | A 0 to 1 transition will reset the drive if the drive was in a trip state. |

NOTE For the drive to run at the speed specified in Word 1, Pr **0.06.043** must be ON and bit 0, bit 7 and bit 8 of the drive control word (Pr **0.06.042**) must all be set to 1 and the external hardware enable signal must be present.

The individual bit functions for the drive control word are shown in Table 7-10 below.

Table 7-10 Drive control word bit functions

| Bit | Function | Equivalent parameter |
|-----|-------------------------|----------------------|
| 0 | Drive enable | Pr 0.06.015 |
| 1 | Run forward | Pr 0.06.030 |
| 2 | Jog forward | Pr 0.06.031 |
| 3 | Run reverse | Pr 0.06.032 |
| 4 | Forward/reverse | Pr 0.06.033 |
| 5 | Run | Pr 0.06.034 |
| 6 | Not stop | Pr 0.06.039 |
| 7 | Auto/manual | N/A |
| 8 | Analog/preset reference | Pr 0.01.042 |
| 9 | Jog reverse | Pr 0.06.037 |
| 10 | Reserved | N/A |
| 11 | Reserved | N/A |
| 12 | Trip drive | N/A |
| 13 | Reset drive | Pr 0.10.033 |
| 14 | Keypad watchdog | N/A |

Speed reference (*SpeedRef*)

The speed reference word utilises 2 bytes (16 bits) as shown below.

| | | | | | | | |
|----------------------|------------|------------|------------|------------|------------|-----------|-----------|
| b15 | b14 | b13 | b12 | b11 | b10 | b9 | b8 |
| SpeedRef (high byte) | | | | | | | |
| b7 | b6 | b5 | b4 | b3 | b2 | b1 | b0 |
| SpeedRef (low byte) | | | | | | | |

For more information on the setting of the speed reference see section 7-31 *AC/DC Drive object attributes* on page 187.

7.5.10 Extended speed control

Output assembly object 0x15 (21₁₀)

The PLC or scanner must be configured for 4 output bytes (or 2 output words) if this assembly object is to be used.

Table 7-11 Extended speed control

| Data word | Function |
|-----------|--------------------------------------|
| Word 0 | Extended control word. |
| Word 1 | Speed reference (<i>SpeedRef</i>). |

Extended control word

The extended control word consists of 2 bytes (16 bits), with only the low byte used as shown.

| | | | | | | | |
|------------|------------|------------|------------|------------|------------|-----------|-----------|
| b15 | b14 | b13 | b12 | b11 | b10 | b9 | b8 |
| | | | | | | | |
| b7 | b6 | b5 | b4 | b3 | b2 | b1 | b0 |
| | NetRef | NetCtrl | | | FaultRst | RunRev | RunFwd |

The individual bit functions are described as follows:

| Name | Control Word | Description |
|----------|--------------|--|
| RunFwd | b0 | Set this bit to command the drive to run in the forward direction. |
| RunRev | b1 | Set this bit to command the drive to run in the reverse direction. |
| FaultRst | b2 | A 0 to 1 transition will reset the drive if the drive was in a trip state. |
| NetCtrl | b5 | Used in conjunction with Pr 0.06.043 to enable the drive control word bits b0-b6 and bit 9 (Pr 0.06.042). |
| NetRef | b6 | Set this bit to command the drive to use the remote speed reference value specified in Word 1. |

NOTE For the drive to run at the speed specified in Word 1, Pr **0.06.043** must be *ON* and bit 0, bit 7 and bit 8 of the drive control word (Pr **0.06.042**) must all be set to 1 and the external hardware enable signal must be present.

NOTE For information on the drive control word see Table 7-10 *Drive control word bit functions* on page 164.

NOTE Conformance with the pre-defined assembly objects specification can only be guaranteed if the speed reference configuration of the drive has not been changed from the default settings. For information on setting default values, refer to the appropriate drive user guide.

Speed reference (*SpeedRef*)

The speed reference word utilises 2 bytes (16 bits) as shown below.

| | | | | | | | |
|----------------------|------------|------------|------------|------------|------------|-----------|-----------|
| b15 | b14 | b13 | b12 | b11 | b10 | b9 | b8 |
| SpeedRef (high byte) | | | | | | | |
| b7 | b6 | b5 | b4 | b3 | b2 | b1 | b0 |
| SpeedRef (low byte) | | | | | | | |

For more information on the setting of the speed reference see section 7-31 *AC/DC Drive object attributes* on page 187.

7.5.11 Basic speed and torque control

Output assembly object 0x16 (22₁₀)

The PLC or scanner must be configured for 6 output bytes (or 3 output words) if this assembly object is to be used.

Table 7-12 Basic speed and torque control

| Data Word | Function |
|-----------|--|
| Word 0 | Basic control word. |
| Word 1 | Speed reference (<i>SpeedRef</i>). |
| Word 2 | Torque reference (<i>TorqueRef</i>). |

Basic control word

The basic control word consists of 2 bytes (16 bits), with only 2 bits of the low byte being used as shown below.

| | | | | | | | |
|------------|------------|------------|------------|------------|------------|-----------|-----------|
| b15 | b14 | b13 | b12 | b11 | b10 | b9 | b8 |
| | | | | | | | |
| b7 | b6 | b5 | b4 | b3 | b2 | b1 | b0 |
| | | | | | FaultRst | | RunFwd |

The individual bit functions are described as follows:

| Name | Control Word | Description |
|----------|--------------|--|
| RunFwd | b0 | Set this bit to command the drive to run in the forward direction. |
| FaultRst | b2 | A 0 to 1 transition will reset the drive if the drive was in a trip state. |

NOTE For the drive to run at the speed specified in Word 1, Pr **0.06.043** must be *ON* and bit 0, bit 7 and bit 8 of the drive control word (Pr**0.06.043**) must all be set to 1.

NOTE For information on the drive control word see Table 7-10 *Drive control word bit functions* on page 164.

Speed reference (*SpeedRef*)

The speed reference word utilises 2 bytes (16 bits) as shown below.

| | | | | | | | |
|----------------------|------------|------------|------------|------------|------------|-----------|-----------|
| b15 | b14 | b13 | b12 | b11 | b10 | b9 | b8 |
| SpeedRef (high byte) | | | | | | | |
| b7 | b6 | b5 | b4 | b3 | b2 | b1 | b0 |
| SpeedRef (low byte) | | | | | | | |

For more information on the setting of the speed reference see section 7-31 *AC/DC Drive object attributes* on page 187.

Torque reference (*TorqueRef*)

The torque reference word utilises 2 bytes (16 bits) as shown below.

| | | | | | | | |
|-----------------------|------------|------------|------------|------------|------------|-----------|-----------|
| b15 | b14 | b13 | b12 | b11 | b10 | b9 | b8 |
| TorqueRef (high byte) | | | | | | | |
| b7 | b6 | b5 | b4 | b3 | b2 | b1 | b0 |
| TorqueRef (low byte) | | | | | | | |

For more information on the setting of the torque reference see section 7-31 *AC/DC Drive object attributes* on page 187.

7.5.12 Extended speed and torque control

Output assembly object 0x17 (23₁₀)

The PLC or scanner must be configured for 6 output bytes (or 3 output words) if this assembly object is to be used.

Table 7-13 Extended speed and torque control

| Data word | Function |
|-----------|--|
| Word 0 | Extended control word. |
| Word 1 | Speed reference (<i>SpeedRef</i>). |
| Word 2 | Torque reference (<i>TorqueRef</i>). |

Extended control word

The extended control word consists of 2 bytes (16 bits), with only 5 bits of the low byte used as shown below.

| | | | | | | | |
|------------|------------|------------|------------|------------|------------|-----------|-----------|
| b15 | b14 | b13 | b12 | b11 | b10 | b9 | b8 |
| | | | | | | | |
| b7 | b6 | b5 | b4 | b3 | b2 | b1 | b0 |
| | NetRef | NetCtrl | | | FaultRst | RunRev | RunFwd |

The individual bit functions are described as follows:

| Name | Control Word | Description |
|----------|--------------|--|
| RunFwd | b0 | Set this bit to command the drive to run in the forward direction. |
| RunRev | b1 | Set this bit to command the drive to run in the reverse direction. |
| FaultRst | b2 | A 0 to 1 transition will reset the drive if the drive was in a trip state. |
| NetCtrl | b5 | Used in conjunction with Pr 06.043 to enable the drive control word bits b0-b6 and bit 9 (Pr 06.042). |
| NetRef | b6 | Set this bit to command the drive to use the remote speed reference value specified in Word 1. |

NOTE For the drive to run at the speed specified in Word 1, Pr **06.043** must be *ON* and bit 0, bit 7 and bit 8 of the drive control word (Pr **06.042**) must all be set to 1 and the external hardware enable signal must be present.

NOTE For information on the drive control word see Table 7-10 *Drive control word bit functions* on page 164.

Speed reference (*SpeedRef*)

The speed reference word utilises 2 bytes (16 bits) as shown below.

| | | | | | | | |
|----------------------|------------|------------|------------|------------|------------|-----------|-----------|
| b15 | b14 | b13 | b12 | b11 | b10 | b9 | b8 |
| SpeedRef (high byte) | | | | | | | |
| b7 | b6 | b5 | b4 | b3 | b2 | b1 | b0 |
| SpeedRef (low byte) | | | | | | | |

For more information on the setting of the speed reference see section 7-31 *AC/DC Drive object attributes* on page 187.

Torque reference (*TorqueRef*)

The torque reference word utilises 2 bytes (16 bits) as shown below.

| | | | | | | | |
|-----------------------|------------|------------|------------|------------|------------|-----------|-----------|
| b15 | b14 | b13 | b12 | b11 | b10 | b9 | b8 |
| TorqueRef (high byte) | | | | | | | |
| b7 | b6 | b5 | b4 | b3 | b2 | b1 | b0 |
| TorqueRef (low byte) | | | | | | | |

For more information on the setting of the torque reference see section 7-31 *AC/DC Drive object attributes* on page 187.

7.5.13 Basic speed feedback

Input assembly object 0x46 (70₁₀)

The PLC or scanner must be configured for 4 input bytes (or 2 input words) if this assembly object is to be used.

Table 7-14 Basic speed feedback

| Data word | Function |
|-----------|--|
| Word 0 | Basic status word. |
| Word 1 | Speed feedback (<i>SpeedActual</i>). |

Basic status word

The basic status word consists of 2 bytes (16 bits), with only 2 bits of the low byte used as shown below.

| | | | | | | | |
|-----|-----|-----|-----|-----|----------------|----|---------|
| b15 | b14 | b13 | b12 | b11 | b10 | b9 | b8 |
| | | | | | | | |
| b7 | b6 | b5 | b4 | b3 | b2 | b1 | b0 |
| | | | | | Running1 (Fwd) | | Faulted |

The individual bit functions are described as follows:

| Bit | Name | Description |
|-----|----------------|---|
| b0 | Faulted | Indicates whether the drive is OK or tripped (0=OK, 1=Tripped). |
| b2 | Running1 (Fwd) | Indicates if the drive is running in the forward direction (0=False, 1=True). |

Speed feedback (*SpeedActual*)

The speed feedback word utilises 2 bytes (16 bits) as shown below.

| | | | | | | | |
|-------------------------|-----|-----|-----|-----|-----|----|----|
| b15 | b14 | b13 | b12 | b11 | b10 | b9 | b8 |
| SpeedActual (high byte) | | | | | | | |
| b7 | b6 | b5 | b4 | b3 | b2 | b1 | b0 |
| SpeedActual (low byte) | | | | | | | |

For more information on the speed feedback see section 7-31 *AC/DC Drive object attributes* on page 187.

7.5.14 Extended speed feedback

Input assembly object 0x47 (71₁₀)

The PLC or scanner must be configured for 4 input bytes (or 2 input words) if this assembly object is to be used.

Table 7-15 Extended speed feedback

| Data word | Function |
|-----------|--|
| Word 0 | Extended status word. |
| Word 1 | Speed feedback (<i>SpeedActual</i>). |

Extended status word

The extended status word consists of 2 bytes (16 bits), with the bits having functions as shown below.

| b15 | b14 | b13 | b12 | b11 | b10 | b9 | b8 |
|--------------|-------------|--------------|-------|----------------|----------------|---------|---------|
| DriveState | | | | | | | |
| b7 | b6 | b5 | b4 | b3 | b2 | b1 | b0 |
| At Reference | RefFrom Net | CtrlFrom Net | Ready | Running2 (Rev) | Running1 (Fwd) | Warning | Faulted |

The DriveState byte returns a code to indicate the operating state of the drive as shown in Table 7-16 following.

Table 7-16 DriveState codes

| Code | b15 - b8 | State | Description |
|------|----------|-----------------|--|
| 1 | 00000001 | Startup | This state is skipped over on CT drives. |
| 2 | 00000010 | Not_Ready | Inhibit. |
| 3 | 00000011 | Ready | Ready. |
| 4 | 00000100 | Enabled | Run or Stop. |
| 5 | 00000101 | Stopping | Deceleration or Injection. |
| 6 | 00000110 | Fault_Stop | AC_UU (this will only occur if Mains Loss is enabled). |
| 7 | 00000111 | Faulted | Tripped. |
| 0 | 00000000 | Vendor Specific | All other DriveType states, e.g. Scan, Orienting, Regen Active, etc. |

The individual bits of the low byte of the extended status word are described below.

Extended status word (low byte)

| Name | Bit | Description |
|----------------|-----|---|
| Faulted | b0 | Indicates whether the drive is OK or tripped. 0=OK (Pr 0.10.001 =1). 1=Tripped (Pr 0.10.001 =0). |
| Warning | b1 | Indicates if one of the drive alarms is active. |
| Running1 (Fwd) | b2 | Indicates if the drive is running in the forward direction. 0=False, 1=True. |
| Running2 (Rev) | b3 | Indicates if the drive is running in the reverse direction. 0=False, 1=True. |
| Ready | b4 | The 'Ready' bit is set depending on which state the drive is in. Ready = True. Enabled = True. Stopping = True. All others = False. |
| CtrlFromNet | b5 | Indicates if the drive is being controlled from the 'Drive Control Word'. 0=False, 1=True. |
| RefFromNet | b6 | Indicates if the speed reference is derived from Pr 0.01.021 . 0=False (Pr 0.01.050 <>1 OR Pr 0.01.049 <>3). 1=True (Pr 0.01.050 =1 AND Pr 0.01.049 =3). |
| AtReference | b7 | Indicates if the drive speed has reached the set reference. 0=False (Pr 0.10.006 =0). 1=True (Pr 0.10.006 =1). |

| |
|-----------------------------------|
| Safety Information |
| Introduction |
| Mechanical Installation |
| Electrical Installation |
| Getting started |
| Parameters |
| Key features and Protocols |
| PC Tools Applications |
| Security |
| Diagnostics |
| Glossary of terms |
| Index |

Speed feedback (*SpeedActual*)

The speed feedback word utilises 2 bytes (16 bits) as shown below.

| | | | | | | | |
|-------------------------|------------|------------|------------|------------|------------|-----------|-----------|
| b15 | b14 | b13 | b12 | b11 | b10 | b9 | b8 |
| SpeedActual (high byte) | | | | | | | |
| b7 | b6 | b5 | b4 | b3 | b2 | b1 | b0 |
| SpeedActual (low byte) | | | | | | | |

For more information on the speed feedback see section 7-31 *AC/DC Drive object attributes* on page 187.

7.5.15 Basic speed and torque feedback

Input assembly object 0x48 (72₁₀)

The PLC or scanner must be configured for 6 input bytes (or 3 input words) if this assembly object is to be used.

Table 7-17 Basic speed and torque feedback

| Data word | Function |
|-----------|--|
| Word 0 | Basic status word. |
| Word 1 | Speed feedback (<i>SpeedActual</i>). |
| Word 2 | Torque feedback (<i>TorqueActual</i>). |

Basic status word

The basic status word consists of 2 bytes (16 bits), with only the low byte used as shown below.

| | | | | | | | |
|------------|------------|------------|------------|------------|-------------------|-----------|-----------|
| b15 | b14 | b13 | b12 | b11 | b10 | b9 | b8 |
| | | | | | | | |
| b7 | b6 | b5 | b4 | b3 | b2 | b1 | b0 |
| | | | | | Running1 (Fwd) | | Faulted |

The individual bit functions are described as follows:

| Bit | Name | Description |
|-----|-------------------|---|
| b0 | Faulted | Indicates whether the drive is OK or tripped (0=OK, 1=Tripped). |
| b2 | Running1 (Fwd) | Indicates if the drive is running in the forward direction (0=False, 1=True). |

Speed feedback (*SpeedActual*)

The speed feedback word utilises 2 bytes (16 bits) as shown below.

| | | | | | | | |
|-------------------------|------------|------------|------------|------------|------------|-----------|-----------|
| b15 | b14 | b13 | b12 | b11 | b10 | b9 | b8 |
| SpeedActual (high byte) | | | | | | | |
| b7 | b6 | b5 | b4 | b3 | b2 | b1 | b0 |
| SpeedActual (low byte) | | | | | | | |

For more information on the speed feedback see section 7-31 *AC/DC Drive object attributes* on page 187.

Torque feedback (*TorqueActual*)

The torque feedback word utilises 2 bytes (16 bits) as shown below.

| | | | | | | | |
|--------------------------|------------|------------|------------|------------|------------|-----------|-----------|
| b15 | b14 | b13 | b12 | b11 | b10 | b9 | b8 |
| TorqueActual (high byte) | | | | | | | |
| b7 | b6 | b5 | b4 | b3 | b2 | b1 | b0 |
| TorqueActual (low byte) | | | | | | | |

For more information on the torque feedback see section 7-31 *AC/DC Drive object attributes* on page 187.

7.5.16 Extended speed and torque feedback

Input assembly object 0x49 (73₁₀)

The PLC or scanner must be configured for 6 input bytes (or 3 input words) if this assembly object is to be used.

Table 7-18 Basic speed and torque feedback

| Data word | Function |
|-----------|--|
| Word 0 | Extended status word. |
| Word 1 | Speed feedback (<i>SpeedActual</i>). |
| Word 2 | Torque feedback (<i>TorqueActual</i>). |

Extended status word

The extended status word consists of 2 bytes (16 bits), with the bits having functions as shown below.

| | | | | | | | |
|--------------|-------------|--------------|------------|----------------|----------------|-----------|-----------|
| b15 | b14 | b13 | b12 | b11 | b10 | b9 | b8 |
| DriveState | | | | | | | |
| b7 | b6 | b5 | b4 | b3 | b2 | b1 | b0 |
| At Reference | RefFrom Net | CtrlFrom Net | Ready | Running2 (Rev) | Running1 (Fwd) | Warning | Faulted |

The DriveState byte returns a code to indicate the operating state of the drive as shown in Table 7-19.

Table 7-19 DriveState codes

| Code | b15 - b8 | State | Description |
|------|----------|-----------------|--|
| 1 | 00000001 | Startup | This state is skipped over on CT drives. |
| 2 | 00000010 | Not_Ready | Inhibit. |
| 3 | 00000011 | Ready | Ready. |
| 4 | 00000100 | Enabled | Run or Stop. |
| 5 | 00000101 | Stopping | Deceleration or Injection. |
| 6 | 00000110 | Fault_Stop | AC_UU (this will only occur if Mains Loss is enabled). |
| 7 | 00000111 | Faulted | Tripped. |
| 0 | 00000000 | Vendor Specific | All other DriveType states, e.g. Scan, Orienting, Regen Active, etc. |

The individual bits of the low byte of the extended status word are described in Table 7-20 *Extended status word (low byte)* on page 174.

Table 7-20 Extended status word (low byte)

| Name | Bit | Description |
|----------------|-----|---|
| Faulted | b0 | Indicates whether the drive is OK or tripped. 0=OK (Pr 0.10.001 =1). 1=Tripped (Pr 0.10.001 =0). |
| Warning | b1 | Indicates if one of the drive alarms is active. |
| Running1 (Fwd) | b2 | Indicates if the drive is running in the forward direction. 0=False, 1=True. |
| Running2 (Rev) | b3 | Indicates if the drive is running in the reverse direction. 0=False, 1=True. |
| Ready | b4 | The 'Ready' bit is set depending on which state the drive is in. Ready = True. Enabled = True. Stopping = True. All others = False. |
| CtrlFromNet | b5 | Indicates if the drive is being controlled from the 'Drive Control Word'. 0=False, 1=True. |
| RefFromNet | b6 | Indicates if the speed reference is derived from Pr 0.01.021 . 0=False (Pr 0.01.050 <>1 OR Pr 0.01.049 <>3). 1=True (Pr 0.01.050 =1 AND Pr 0.01.049 =3). |
| AtReference | b7 | Indicates if the drive speed has reached the set reference. 0=False (Pr 0.10.006 =0). 1=True (Pr 0.10.006 =1). |

Speed feedback (*SpeedActual*)

The speed feedback word utilises 2 bytes (16 bits) as shown below.

| | | | | | | | |
|------------------------|------------|------------|------------|------------|------------|-----------|-----------|
| b15 | b14 | b13 | b12 | b11 | b10 | b9 | b8 |
| SpeedActual(high byte) | | | | | | | |
| b7 | b6 | b5 | b4 | b3 | b2 | b1 | b0 |
| SpeedActual (low byte) | | | | | | | |

For more information on the speed feedback see section 7-31 *AC/DC Drive object attributes* on page 187.

Torque feedback (*TorqueActual*)

The torque feedback word utilises 2 bytes (16 bits) as shown below.

| | | | | | | | |
|--------------------------|------------|------------|------------|------------|------------|-----------|-----------|
| b15 | b14 | b13 | b12 | b11 | b10 | b9 | b8 |
| TorqueActual (high byte) | | | | | | | |
| b7 | b6 | b5 | b4 | b3 | b2 | b1 | b0 |
| TorqueActual (low byte) | | | | | | | |

For more information on the torque feedback see section 7-31 *AC/DC Drive object attributes* on page 187.

7.5.17 Object Model

The Object Model has the following object classes present.

Table 7-21 Supported Objects

| Object Class | Class Code | | Number of Instances | Effect |
|--------------------|------------|----------|---------------------|---|
| | Decimal | Hex (0x) | | |
| Identity | 1 | 01 | 1 | Provides device specific information. |
| Assembly | 4 | 04 | 16 | Defines the I/O data format (parameter mapping). |
| Motor Data | 40 | 28 | 2 | Defines the motor data. |
| Control Supervisor | 41 | 29 | 1 | Provides drive control and monitoring information. |
| AC/DC Drive | 42 | 2A | 1 | Provides drive configuration and running state information. |
| CT Group | 100 | 64 | <No. of menus> | Provides access to drive parameters. |
| CT This Slot | 101 | 65 | <No. of menus> | Provides access to the local option module parameters. |
| CT Slot 1 | 102 | 66 | <No. of menus> | Provides access to the option module parameters in slot 1. |
| CT Slot 2 | 103 | 67 | <No. of menus> | Provides access to the option module parameters in slot 2. |
| CT Slot 3 | 104 | 68 | <No. of menus> | Provides access to the option module parameters in slot 3. |
| CT Slot 4 | 105 | 69 | <No. of menus> | Provides access to the onboard Ethernet interface parameters. |

7.5.18 Identity object

Class: 0x01 (1₁₀)

The identity object provides identification of and general information about the device.

Table 7-22 Identity object

| Attribute | Access | Name | Data Type |
|-----------|--------|--------------|--------------|
| 1 | Get | VendorID | UINT |
| 2 | Get | DeviceType | UINT |
| 3 | Get | ProductCode | UINT |
| 4 | Get | Revision | USINT |
| 6 | Get | SerialNumber | UDINT |
| 7 | Get | ProductName | SHORT_STRING |

Vendor ID

| | | | |
|------------------|----------|------------------|----------------------------|
| Name: | VendorID | | |
| Class | 0x01 | Default | 0x101 (257 ₁₀) |
| Instance | 0x01 | Data Type | UINT |
| Attribute | 0x01 | Access | Get |

Returns the vendor ID code 0x101 (257₁₀) for *Control Techniques*.

Device type

| | | | |
|------------------|------------|------------------|------|
| Name: | DeviceType | | |
| Class | 0x01 | Default | 0x02 |
| Instance | 0x01 | Data Type | UINT |
| Attribute | 0x02 | Access | Get |

Returns the device type code. The following codes are used:

| Device Type code | Drive type |
|------------------|------------|
| 0x02 | AC Drive |

Product code

| | | | |
|------------------|--------------|------------------|-----------|
| Name: | Product Code | | |
| Class | 0x01 | Default | See below |
| Instance | 0x01 | Data Type | UINT |
| Attribute | 0x03 | Access | Get |

Returns a 16 bit value to identify the drive type and drive mode and also links a node to the installed EDS files. The product code is calculated as shown in Table 7-23 *Product code bit allocation* below.

Table 7-23 Product code bit allocation

| b15 | b14 | b13 | b12 | b11 | b10 | b9 | b8 | b7 | b6 | b5 | b4 | b3 | b2 | b1 | b0 |
|------------|-----|-----|-----|-----|------------------|----|----|----|----|------------|----|----|----------|----|----|
| Drive Type | | | | | Drive Derivative | | | | | Drive Mode | | | CIP code | | |

Drive Type (b15 to b11)

The drive type is defined as follows:

| Value | Drive Type |
|-------|------------|
| 2 | Unidrive M |

Drive Derivative (b10 to b6)

The drive derivative as shown in Pr **0.11.028**.

For more information on the drive derivative codes please refer to the relevant drive documentation.

Drive Mode (b5 to b3)

The drive operating mode is defined as follows:

| Value | Operating Mode |
|-------|----------------|
| 0 | Open-loop |
| 1 | RFC-A |
| 2 | RFC-S |
| 3 | Regen |

CIP code (b2 to b0)

The CIP (Common Industrial Protocol) interface code is defined as follows:

| Value | Interface ID | Description |
|-------|--------------|--------------------------------|
| 0 | 430 | Unidrive M700 onboard Ethernet |
| 1 | 447 | SI-DeviceNet |
| 2 | 310 | MCi210 |
| 3 | 433 | SI-Ethernet |

Revision

| Name: | Revision | | |
|------------------|----------|------------------|----------------|
| Class | 0x01 | Default | N/A |
| Instance | 0x01 | Data Type | ARRAY of USINT |
| Attribute | 0x04 | Access | Get |

Returns 2 bytes to indicate the major and minor revision numbers of the Ethernet interface firmware version.

The Ethernet interface firmware version (**MM.002**) consists of four 2-digit decimal numbers with the following significance:

[Major].[Minor].[Bugfix].[Build].

The revision code returns the major and minor revisions of the Ethernet interface firmware version in two unsigned bytes, the major revision being returned first followed by the minor revision.

Table 7-24 Revision specification

| b7 | b6 | b5 | b4 | b3 | b2 | b1 | b0 |
|---|---|----|----|----|----|----|----|
| Major revision (MM.002 / 1000000) | | | | | | | |
| R | Minor revision (MM.002 / 10000) Mod 100 | | | | | | |

Where “Mod 100” refers to the fractional value of the result from **MM.002**/10000, (the value after the decimal point).

e.g. For a value of 12345678 in Pr **MM.002** (12.34.56.78 on the keypad display), the major revision is 12 and the minor revision is 34.

The returned data will consist of 2 unsigned bytes, the first byte will be the major revision value 12 (0x0C) and the second byte will be the minor revision value 34 (0x22).

Major revision

| b7 | b6 | b5 | b4 | b3 | b2 | b1 | b0 |
|----------------------------|----|----|----|----|----|----|----|
| 0 | 0 | 0 | 0 | 1 | 1 | 0 | 0 |
| Major revision = 12 (0x0C) | | | | | | | |

Minor revision

| b7 | b6 | b5 | b4 | b3 | b2 | b1 | b0 |
|----------------------------|----|----|----|----|----|----|----|
| R | 0 | 1 | 0 | 0 | 0 | 1 | 0 |
| Minor revision = 34 (0x22) | | | | | | | |

Serial Number

| Name: | SerialNumber | | |
|------------------|--------------|------------------|-------|
| Class | 0x01 | Default | N/A |
| Instance | 0x01 | Data Type | UDINT |
| Attribute | 0x06 | Access | Get |

Returns the lower 4 bytes (32 bits) of the Ethernet interface serial number.

The Ethernet interface serial number is contained within two adjacent parameters, Pr **MM.004** *Serial Number LS* displays the least 8 significant decimal digits and Pr **MM.005** *Serial Number MS* displays the most 8 significant decimal digits.

For example, if the serial number of the onboard Ethernet interface is 123456789 then Pr **MM.005** *Serial Number MS* will display 1 and Pr **MM.004** *Serial Number LS* will display 23456789.

The Ethernet interface serial number is set during manufacture and cannot be changed.

Product Name

| | | | |
|------------------|--------------------|------------------|-------------------------|
| Name: | ProductName | | |
| Class | 0x01 | Default | Onboard Ethernet |
| | | | Factory Fitted Ethernet |
| Instance | 0x01 | Data Type | SHORT_STRING |
| Attribute | 0x07 | Access | Get |

Returns the product name as a short string of ASCII Bytes. The first byte specifies the number of following bytes that constitute the product name.

7.5.19 Motor data object

Class: 0x28 (40₁₀)

There are 2 instances of the Motor data object. Instance 1 will represent menu 5 motor information (motor 1) and instance 2 will represent menu 21 motor information (motor 2). The instance being used by the other dependant objects will be determined by Pr **0.11.045**, to use the second motor map objects (instance 2), Pr **0.11.045** should be set to *Motor 2*. Pr **0.11.045** is polled in the background task, so the user should be aware that during motor map changeover, the RPM speed reference may not be accurate. The available attributes and associated functions for the AC motor data object are shown in Table 7-25 *AC Motor data object attributes* below.

Table 7-25 AC Motor data object attributes

| AC Motor Instance Attributes | | | Drive Parameter | |
|------------------------------|---------------|---------|--|--|
| Attribute ID | Name | Access | Instance 1 | Instance 2 |
| 0x03 (3 ₁₀) | MotorType (*) | Get/Set | None | None |
| 0x06 (6 ₁₀) | RatedCurrent | Get/Set | Pr 0.05.007 (scaled to 100 mA units) | Pr 0.21.007 (scaled to 100 mA units) |
| 0x07 (7 ₁₀) | RatedVoltage | Get/Set | Pr 0.05.009 | Pr 0.21.009 |
| 0x09 (9 ₁₀) | RatedFreq | Get/Set | Pr 0.05.006 (scaled to Hz) | Pr 0.21.006 (scaled to Hz) |
| 0x0F (15 ₁₀) | BaseSpeed | Get/Set | Pr 0.05.008 (scaled to rpm units) | Pr 0.21.008 (scaled to rpm units) |
| 0x64 (100 ₁₀) | Motor2Select | Get | Pr 0.21.015 | Pr 0.21.015 |
| | | Set | Pr 0.11.045 | Pr 0.11.045 |

(* The MotorType attribute has no effect on drive operation, it is only used to provide information to the user as shown in Table 7-26 *Supported motor types* below).

Table 7-26 Supported motor types

| Value | Motor Type |
|-------|---|
| 6 | Wound rotor induction motor |
| 7 | Squirrel cage induction motor (default) |
| 9 | Sinusoidal PM BL motor |
| 10 | Trapezoidal PM BL motor |

NOTE In Open loop mode, only values 6 and 7 will be supported.

Motor type

| | | | |
|------------------|-------------------|------------------|---------|
| Name: | MotorType1 | | |
| Class | 0x28 | Default | 7 |
| Instance | 0x01 | Data Type | USINT |
| Attribute | 0x03 | Access | Get/Set |

Returns or sets the motor type to be used by the drive for instance 1.

| | | | |
|------------------|-------------------|------------------|---------|
| Name: | MotorType2 | | |
| Class | 0x28 | Default | 7 |
| Instance | 0x02 | Data Type | USINT |
| Attribute | 0x03 | Access | Get/Set |

Returns or sets the motor type to be used by the drive for instance 2.

Rated current

| | | | |
|------------------|----------------------|------------------|-------------------------|
| Name: | RatedCurrent1 | | |
| Class | 0x28 | Default | Pr 0.05.007 / 10 |
| Instance | 0x01 | Data Type | USINT |
| Attribute | 0x06 | Access | Get/Set |

Returns or sets the rated motor current in Amps for instance 1. This attribute is linked to Pr **0.05.007**.

Set Pr **0.05.007** = RatedCurrent1 * 10.

Get RatedCurrent1 = Pr **0.05.007** / 10.

| | | | |
|------------------|----------------------|------------------|-------------------------|
| Name: | RatedCurrent2 | | |
| Class | 0x28 | Default | Pr 0.21.007 / 10 |
| Instance | 0x02 | Data Type | USINT |
| Attribute | 0x06 | Access | Get/Set |

Returns or sets the rated motor current in Amps for instance 2. This attribute is linked to Pr **0.21.007**.

Set Pr **0.21.007** = RatedCurrent2 * 10.

Get RatedCurrent2 = Pr **0.21.007** / 10.

Rated voltage

| | | | |
|------------------|----------------------|------------------|--------------------|
| Name: | RatedVoltage1 | | |
| Class | 0x28 | Default | Pr 0.05.009 |
| Instance | 0x01 | Data Type | USINT |
| Attribute | 0x07 | Access | Get/Set |

Returns or sets the rated motor voltage in Volts for instance 1. This attribute is linked to Pr **0.05.009**.

| | | | |
|------------------|----------------------|------------------|--------------------|
| Name: | RatedVoltage2 | | |
| Class | 0x28 | Default | Pr 0.21.009 |
| Instance | 0x02 | Data Type | USINT |
| Attribute | 0x07 | Access | Get/Set |

Returns or sets the rated motor voltage in Volts for instance 2. This attribute is linked to Pr **0.21.009**.

Rated frequency

| | | | |
|------------------|-------------------|------------------|-------------------------|
| Name: | RatedFreq1 | | |
| Class | 0x28 | Default | Pr 0.05.006 / 10 |
| Instance | 0x01 | Data Type | USINT |
| Attribute | 0x09 | Access | Get/Set |

Returns or sets the rated motor frequency in Hertz for instance 1. This attribute is linked to Pr **0.05.006**.

Set Pr **0.05.006** = RatedFreq1 * 10.

Get RatedFreq1 = Pr **0.05.006** / 10.

| | | | |
|------------------|-------------------|------------------|-------------------------|
| Name: | RatedFreq2 | | |
| Class | 0x28 | Default | Pr 0.21.006 / 10 |
| Instance | 0x02 | Data Type | USINT |
| Attribute | 0x09 | Access | Get/Set |

Returns or sets the rated motor frequency in Hertz for instance 2. This attribute is linked to Pr **21.006**.

Set Pr **0.21.006** = RatedFreq2 * 10.

Get RatedFreq2 = Pr **0.21.006** / 10.

Base speed

| | | | |
|------------------|-------------------|------------------|--------------------|
| Name: | BaseSpeed1 | | |
| Class | 0x28 | Default | Pr 0.05.008 |
| Instance | 0x01 | Data Type | USINT |
| Attribute | 0x0F | Access | Get/Set |

Returns or sets the base speed of the motor in RPM for instance 1. This attribute is linked to Pr **0.05.008**.

| | | | |
|------------------|-------------------|------------------|--------------------|
| Name: | BaseSpeed2 | | |
| Class | 0x28 | Default | Pr 0.21.008 |
| Instance | 0x02 | Data Type | USINT |
| Attribute | 0x0F | Access | Get/Set |

Returns or sets the base speed of the motor in RPM for instance 2. This attribute is linked to Pr **0.21.008**.

Motor2Select

| | | | |
|------------------|---------------------|------------------|---------|
| Name: | Motor2Select | | |
| Class | 0x28 | Default | |
| Instance | 0x01 | Data Type | USINT |
| Attribute | 0x64 | Access | Get/Set |

Selects between Motor 1 and Motor 2. This attribute is linked to Pr **0.11.045**. When this bit is set to 1, Motor 2 will be active.

NOTE Any change in this attribute will be implemented when the drive is disabled.

7.5.20 Control Supervisor object

Class: 0x29 (41₁₀)

The Control Supervisor object provides access to various attributes which control or monitor the drive running state. The available attributes and their associated functions are shown in Table 7-27 following.

Table 7-27 Control Supervisor object attribute

| Attribute ID | | Access | Name | Parameter dependence |
|--------------|----------|---------|-------------|---|
| Decimal | Hex (0x) | | | |
| 3 | 03 | Get/Set | RunFwd | 0.06.042 bit1 |
| 4 | 04 | Get/Set | RunRev | 0.06.042 bit3 |
| 5 | 05 | Get/Set | NetCtrl | 0.06.042 bit7 |
| 6 | 06 | Get | State | See <i>Table 7-28 Control Supervisor state attributes</i> on page 184 |
| 7 | 07 | Get | RunningFwd | 1 (0.10.040 AND 0x2002) = 0x0002 |
| | | | | 0 (0.10.040 AND 0x2002) <> 0x0002 |
| 8 | 08 | Get | RunningRev | 1 (0.10.040 AND 0x2002) = 0x2002 |
| | | | | 0 (0.10.040 AND 0x2002) <> 0x2002 |
| 9 | 09 | Get | Ready | See <i>Table 7-28 Control Supervisor state attributes</i> on page 184 |
| 10 | 0A | Get | Faulted | Inverse of 0.10.001 |
| 11 | 0B | Get | Warning | 0.10.019 |
| 12 | 0C | Get/Set | FaultRst | Sets 0.10.038 to 100 on a 0 to 1 transition |
| 13 | 0D | Get | FaultCode | See <i>Table 7-28 Control Supervisor state attributes</i> on page 184 |
| 15 | 0F | Get | CtrlFromNet | 0.06.042 bit7 AND 0.06.043 |
| 102 | 66 | Get/Set | DriveEnable | 0.06.042 bit0 |

RunFwd

| | | | |
|------------------|---------------|------------------|---------|
| Name: | RunFwd | | |
| Class | 0x29 | Default | N/A |
| Instance | 0x01 | Data Type | USINT |
| Attribute | 0x03 | Access | Get/Set |

Set to 1 to run the drive in the forward direction.

Get/Set Pr **0.06.042** (bit 1).

RunRev

| | | | |
|------------------|---------------|------------------|---------|
| Name: | RunRev | | |
| Class | 0x29 | Default | N/A |
| Instance | 0x01 | Data Type | USINT |
| Attribute | 0x04 | Access | Get/Set |

Set to 1 to run the drive in the reverse direction.

Get/Set Pr **0.06.042** (bit 3).

NetCtrl

| | | | |
|------------------|----------------|------------------|---------|
| Name: | NetCtrl | | |
| Class | 0x29 | Default | N/A |
| Instance | 0x01 | Data Type | USINT |
| Attribute | 0x05 | Access | Get/Set |

Switches between terminal and fieldbus control.

Get/Set Pr **0.06.042** (bit 7)

0 = Terminal control.

1 = Fieldbus control.

State

| | | | |
|------------------|--------------|------------------|-------|
| Name: | State | | |
| Class | 0x29 | Default | N/A |
| Instance | 0x01 | Data Type | USINT |
| Attribute | 0x06 | Access | Get |

This returns a code to indicate the current running state of the drive as shown in Table 7-28 following.

Table 7-28 Control Supervisor state attributes

| Code | State | Parameter Dependence | Description |
|------|-----------------|--|--------------------------------------|
| 1 | Startup | N/A | This state is skipped over |
| 2 | Not_Ready | 0.10.101 = 0 | Inhibit |
| 3 | Ready | 0.10.101 = 1 | Ready |
| 4 | Enabled | 0.10.101 = 2 OR 0.10.101 = 4 | Stop or Run |
| 5 | Stopping | 0.10.101 = 6 OR 0.10.101 = 7 | Decelerating or DC injection braking |
| 6 | Fault_Stop | 0.10.101 = 5 | AC supply loss |
| 7 | Faulted | 0.10.101 = 9 | Tripped |
| 0 | Vendor Specific | 0.10.101 = All other drive states | See parameter reference guide |

RunningFwd

| | | | |
|------------------|------------|------------------|-------|
| Name: | RunningFwd | | |
| Class | 0x29 | Default | N/A |
| Instance | 0x01 | Data Type | USINT |
| Attribute | 0x07 | Access | Get |

Indicates that the drive is running in the forward direction.

This attribute will be set to 1 when Pr **0.10.014** = 0 and Pr **0.10.002** = 1.

RunningRev

| | | | |
|------------------|------------|------------------|-------|
| Name: | RunningRev | | |
| Class | 0x29 | Default | N/A |
| Instance | 0x01 | Data Type | USINT |
| Attribute | 0x08 | Access | Get |

Indicates that the drive is running in the reverse direction.

This attribute will be set to 1 when Pr **0.10.014** = 0 and Pr **0.10.002** = 1.

Ready

| | | | |
|------------------|-------|------------------|-------|
| Name: | Ready | | |
| Class | 0x29 | Default | N/A |
| Instance | 0x01 | Data Type | USINT |
| Attribute | 0x09 | Access | Get |

The Ready attribute will be set in accordance with the state as shown in Table 7-29.

Table 7-29 Control Supervisor Ready attributes

| Code | State | Ready state |
|------------|----------|-------------|
| 3 | Ready | True |
| 4 | Enabled | True |
| 5 | Stopping | True |
| All others | | False |

Faulted

| | | | |
|------------------|----------------|------------------|-------|
| Name: | Faulted | | |
| Class | 0x29 | Default | N/A |
| Instance | 0x01 | Data Type | USINT |
| Attribute | 0x0A | Access | Get |

Indicates that the drive is tripped, i.e. not OK (inverse of Pr **0.10.001**).

Get 1 = Pr **0.10.001** = 0.

Get 0 = Pr **0.10.001** = 1.

Warning

| | | | |
|------------------|----------------|------------------|-------|
| Name: | Warning | | |
| Class | 0x29 | Default | N/A |
| Instance | 0x01 | Data Type | USINT |
| Attribute | 0x0B | Access | Get |

Indicates that one of the drive alarms is active.

Get Pr **0.10.019**.

FaultRst

| | | | |
|------------------|-----------------|------------------|---------|
| Name: | FaultRst | | |
| Class | 0x29 | Default | N/A |
| Instance | 0x01 | Data Type | USINT |
| Attribute | 0x0C | Access | Get/Set |

Resets the drive from a tripped condition.

Sets Pr **0.10.038** to 100 on a 0 to 1 transition.

FaultCode

| | | | |
|------------------|------------------|------------------|-------|
| Name: | FaultCode | | |
| Class | 0x29 | Default | N/A |
| Instance | 0x01 | Data Type | USINT |
| Attribute | 0x0D | Access | Get |

The fault code attribute will return the ODVA fault code as follows:

If the drive is not OK, the drive fault code is obtained from Pr **0.10.020**, if the drive fault code is listed in Table 7-30, then the ODVA fault code as shown in Table 7-30 below will be returned.

If the drive fault code is not listed in Table 7-30 then the Ethernet interface will return the ODVA code as follows:

ODVA Fault Code = 0x1000 + drive fault code.

Table 7-30 Control Supervisor fault code attributes

| Drive Fault Code | ODVA Fault Code | Drive Fault Code | ODVA Fault Code |
|------------------|-----------------|------------------|-----------------|
| 1 | 0x3220 | 20 | 0x2310 |
| 2 | 0x3210 | 21 | 0x4300 |
| 3 | 0x2300 | 26 | 0x5112 |
| 4 | 0x7112 | 32 | 0x3130 |
| 6 | 0x9000 | | |

CtrlFromNet

| | | | |
|------------------|--------------------|------------------|-------|
| Name: | CtrlFromNet | | |
| Class | 0x29 | Default | N/A |
| Instance | 0x01 | Data Type | USINT |
| Attribute | 0x0F | Access | Get |

Indicates whether the drive is operating under fieldbus or terminal control.

This attribute will be set to 1 if Pr **0.06.042** (bit 7) = 1 and Pr **0.06.043** = 1 (fieldbus).

DriveEnable

| | | | |
|------------------|--------------------|------------------|---------|
| Name: | DriveEnable | | |
| Class | 0x29 | Default | N/A |
| Instance | 0x01 | Data Type | USINT |
| Attribute | 0x66 | Access | Get/Set |

Enables the drive. This puts the drive into the “Ready” state, allowing the **RunFwd** and **RunRev** attributes to control the drive. **RunFwd** and **RunRev** will have no effect if **DriveEnable** is not set to 1.

Get/Set Pr **0.06.042** bit 0.

NOTE The external hardware enable signal must also be present before the drive will enter the Ready state.

7.5.21 AC/DC Drive object

Class: 0x2A (42₁₀)

The AC/DC Drive object provides information on the drive running state and supports the following attributes:

Table 7-31 AC/DC Drive object attributes

| Attribute ID | Name | Access | Parameter dependence |
|--------------------------|--------------|---------|--|
| 0x03 (3 ₁₀) | AtReference | Get | Pr 0.10.006 |
| 0x04 (4 ₁₀) | NetRef | Get/Set | Pr 0.06.042 (bit 8) |
| 0x06 (6 ₁₀) | DriveMode | Get/Set | (See Table 7-32 on page 188) |
| 0x07 (7 ₁₀) | SpeedActual | Get | RFC-A or RFC-S Pr 0.03.002 |
| | | | Open Loop Pr 0.05.004 |
| 0x08 (8 ₁₀) | SpeedRef | Get/Set | RFC-A or RFC-S Pr 0.01.021 (scaled to 0 decimal places) |
| | | Get | Open Loop Pr 0.01.021 * 60 / <i>NofPP</i> (scaled to 0 decimal places) |
| | | Set | Open Loop Pr 0.01.021 = SpeedRef * <i>NofPP</i> / 60 (scaled to 0 decimal places) |
| 0x0B (11 ₁₀) | TorqueActual | Get | Pr 0.04.020 (scaled to 1 decimal place) |
| 0x0C (12 ₁₀) | TorqueRef | Get/Set | Pr 0.04.008 (scaled to 1 decimal place) |
| 0x1D (29 ₁₀) | RefFromNet | Get | 1 Pr 0.01.049 =3 AND Pr 0.01.050 =1 |
| | | | 0 Pr 0.01.049 <>3 OR Pr 0.01.050 <>1 |

NOTE *NofPP* = Number of Pole Pairs.

AtReference

| Name: | AtReference | | |
|------------------|-------------|------------------|-------|
| Class | 0x2A | Default | N/A |
| Instance | 0x01 | Data Type | USINT |
| Attribute | 0x03 | Access | Get |

Indicates that the drive is running at the requested speed.

Get Pr **0.10.006**

0 = Drive not running at requested speed.

1 = Drive running at requested speed.

NetRef

| | | | |
|------------------|---------------|------------------|---------|
| Name: | NetRef | | |
| Class | 0x2A | Default | N/A |
| Instance | 0x01 | Data Type | USINT |
| Attribute | 0x04 | Access | Get/Set |

Selects the source of the speed reference.

Get/SetPr **0.06.042** bit 8

0 = analog speed reference.

1 = digital speed reference.

NOTE The NetRef can only be changed between local and remote when the drive is configured in speed control mode. If a change is requested when in torque mode then a 'Device State Conflict' error code 0x10 will be returned.

DriveMode

| | | | |
|------------------|------------------|------------------|---------|
| Name: | DriveMode | | |
| Class | 0x2A | Default | N/A |
| Instance | 0x01 | Data Type | USINT |
| Attribute | 0x06 | Access | Get/Set |

DriveMode does not allow the operating mode of the drive to be changed. Pr **0.04.011** will be written to as shown in Table 7-32 below, provided that the drive is already in the correct operating mode.

Table 7-32 AC/DC Drive object DriveMode attribute (Get)

| Access | DriveMode | | Actual Drive Mode | Torque Mode (0.4.011) |
|--------|-----------|-------------------|-------------------|--|
| | Value | Mode | | |
| Get | 1 | Open Loop Speed | Open-loop | Speed control mode (0) |
| | | | RFC-A | |
| | 2 | Closed Loop Speed | RFC-S | Torque control (3) |
| | | | Open-loop | |
| | 3 | Torque Control | RFC-A | Don't care |
| | | | RFC-S | |
| | 0 | User Defined | Regen | Torque control with speed override (2) or Coiler / uncoiler mode (3) or Speed control with torque feed-forward (4) |
| | | | Don't care | |

Table 7-33 AC/DC Drive object DriveMode attribute (Set)

| Access | DriveMode | | Actual Drive Mode | Action |
|--------|-----------|-------------------|--|--|
| | Value | Mode | | |
| Set | 0 | User Defined | Don't care | Return Invalid Attribute Value' (0x09) |
| | 1 | Open Loop Speed | Open-loop | Pr 0.04.011 = Speed control mode (0) |
| | | | RFC-A or RFC-S or Regen | Return 'Drive state conflict' error (0x10) |
| | 2 | Closed Loop Speed | RFC-A or RFC-S | Pr 0.04.011 = Speed control mode (0) |
| | | | Open-loop or Regen | Return 'Drive state conflict' error (0x10) |
| | 3 | Torque Control | Open-loop or RFC-A or RFC-S | Pr 0.04.011 = Torque control mode (1) |
| Regen | | | Return 'Drive state conflict' error (0x10) | |

NOTE Pr **0.11.031** will never be changed by setting the DriveMode attribute. An error (0x10) will be generated if the requested DriveMode value does not correspond to the current DriveType operating mode.

SpeedActual

| | | | |
|------------------|--------------------|------------------|-------|
| Name: | SpeedActual | | |
| Class | 0x2A | Default | N/A |
| Instance | 0x01 | Data Type | USINT |
| Attribute | 0x07 | Access | Get |

Returns the actual speed of the motor in RPM. The source of the motor speed depends on the operating mode of the drive.

- Get Pr **0.05.004** (Open Loop).
- Get Pr **0.03.002** (RFC-A or RFC-S).

| |
|--------------------------|
| Safety Information |
| Introduction |
| Mechanical Installation |
| Electrical Installation |
| Getting started |
| Parameters and Protocols |
| PC Tools Applications |
| Security |
| Diagnostics |
| Glossary of terms |
| Index |

SpeedRef

| | | | |
|------------------|-----------------|------------------|---------|
| Name: | SpeedRef | | |
| Class | 0x2A | Default | N/A |
| Instance | 0x01 | Data Type | USINT |
| Attribute | 0x08 | Access | Get/Set |

Sets or returns the speed reference in RPM.

RFC-A or RFC-S

Get/Set SpeedRef = Pr **0.01.021** (Scaled to 0 decimal places).

Open loop

Get SpeedRef = (Pr **0.01.021** * 60) / Pole Pairs (Scaled to 0 decimal places).

Set Pr **0.01.021** = (SpeedRef * Pole Pairs) / 60 (Scaled to 0 decimal places).

TorqueActual

| | | | |
|------------------|---------------------|------------------|-------|
| Name: | TorqueActual | | |
| Class | 0x2A | Default | N/A |
| Instance | 0x01 | Data Type | USINT |
| Attribute | 0x0B | Access | Get |

Returns the actual load on the motor as a percentage of the rated motor load. This attribute has 1 decimal place precision, a value of 1000 represents 100.0 % load.

Get Pr **0.04.020** (Scaled to 1 decimal place).

TorqueRef

| | | | |
|------------------|------|------------------|---------|
| Name: | | | |
| Class | 0x2A | Default | N/A |
| Instance | 0x01 | Data Type | USINT |
| Attribute | 0x0C | Access | Get/Set |

Sets the load (torque) reference as % of rated motor load (torque). This attribute has 1 decimal place precision, so a value of 1000 represents 100.0 % load.

Set Pr **0.04.008** = TorqueRef / 10 (Scaled to 1 decimal place).

Get TorqueRef = Pr **0.04.008** * 10 (Scaled to 1 decimal place).

RefFromNet

| | | | |
|------------------|-------------------|------------------|-------|
| Name: | RefFromNet | | |
| Class | 0x2A | Default | |
| Instance | 0x01 | Data Type | USINT |
| Attribute | 0x1D | Access | Get |

Indicates the source of the speed reference.

TRUE if Pr **0.01.049** = 3 and Pr **0.01.050** = 1.

FALSE otherwise.

7.5.22 Control Techniques objects

The Control Techniques objects (classes 0x64 to 0x69) allow access to all drive and option module parameters. The class instance number is used to reference the drive or option module menu number (except menu 0) and the class attribute number references the parameter within that menu.

For example, the drive parameter *Percentage Load* (**0.04.020**) would be accessed as class 0x64, instance 0x04 and attribute 0x14.

An instance value of 0 is invalid therefore to allow access to menu 0 parameters, the instance value 200 (0xC8) must be used.

The number of instances and therefore the number of menus for each class depends on the destination device. If the drive is the destination then the number of menus will depend on the drive operating mode. If the destination is one of the option slots (or onboard Ethernet interface) then the number of menus depends on the type of option module fitted (or the onboard Ethernet interface).

Six individual classes are provided, the following table shows the classes used when accessing the drive or option module parameters.

Table 7-34 Control Techniques object classes

| Class Code | | Name | Description |
|------------|----------|--------------|--|
| Dec | Hex (0x) | | |
| 100 | 64 | CT Group | Provides access to all drive parameters |
| 101 | 65 | CT This Slot | Provides access to the connected Ethernet interface parameters |
| 102 | 66 | CT Slot 1 | Provides access to the option module in slot 1 parameters |
| 103 | 67 | CT Slot 2 | Provides access to the option module in slot 2 parameters |
| 104 | 68 | CT Slot 3 | Provides access to the option module in slot 3 parameters |
| 105 | 69 | CT Slot 4 | Provides access to the onboard Ethernet interface parameters |

7.6 Web page basics

Currently only basic web page support is provided, showing diagnostics and key parameters, user account management and basic drive parameter access is also provided. These pages are non-adaptive and are designed for PCs, laptops and tablets rather than mobile/cell phones.

The web pages do not form part of the Ethernet interface firmware and must be downloaded into the Ethernet interface as a separate action. Currently, a Web Page Deployment Tool is available on the Technical Helpdesk Support Suite (for users with access) or it can be provided upon request from your local distributor or supplier; this is only temporary as the tool functionality will be provided within the Connect suite of PC Tools applications (e.g. Unidrive M Connect).

NOTE The web page deployment tool requires the installation of either Unidrive M Connect or Machine Control Studio.

NOTE Web page support is only available in Ethernet interface firmware version V01.06.00.22 and later and is restricted to Ethernet port 80.

7.6.1 Configuring the Ethernet interface web page connection

If DHCP is enabled, all appropriate IP addresses will be configured by the network DHCP server, you can confirm this is working by checking the IP address has been correctly configured in parameters Pr **S.02.006** to Pr **MS.02.008**. In order to communicate, the PC must be on the same subnet as the Ethernet interface or you must have a gateway specified between the host PC and Ethernet interface.

If DHCP is not enabled then you will need to manually configure the address, subnet mask and default gateway (if you are connecting from a different subnet).

The default IP address when not using DHCP is 192.168.1.100. In order to communicate with this address your PC will need to be on the same subnet or have a gateway capable of reaching this address, additionally the Ethernet interface will also require a gateway configured in Pr **S.02.008**.

7.6.2 Making a connection

To connect to Ethernet interface web page, enter the IP address of the Ethernet interface (as shown in Pr **S.02.006**) into the web browser window.

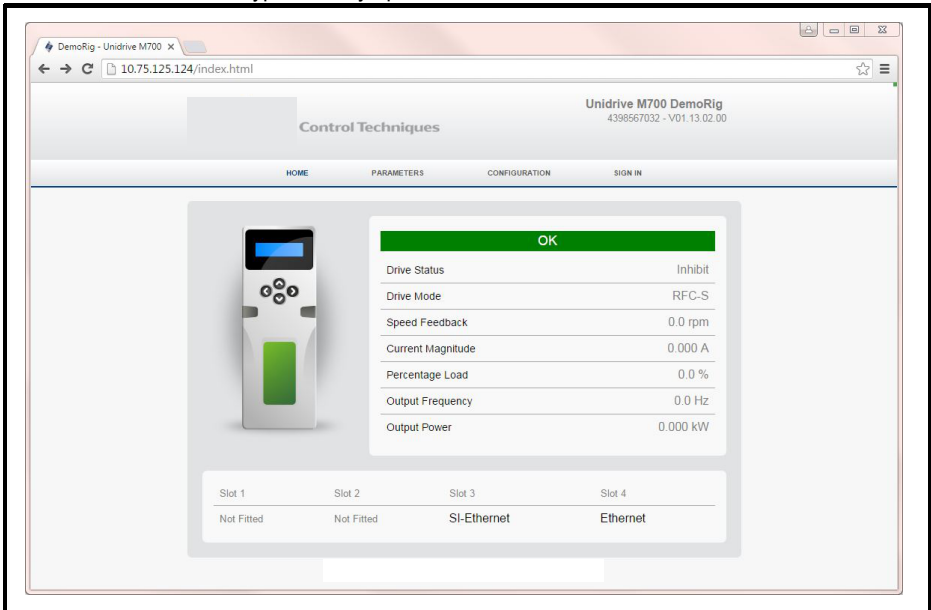
For example, for an IP address of 10.75.125.124, type the following into the web browser...

http://10.75.125.124

The main home page will be displayed.

7.6.3 Home page

The home page displays basic key drive parameters plus drive information such as the drive name, drive serial number, drive type and any option modules fitted to the drive.



The parameters displayed on the home page are constantly updated, this means that the user does not have to refresh the browser to update the parameter values.

Without signing in, this is the only page available to the user, in order to access the other features available (read/write parameters or create/edit user accounts), the user must sign in to an administrator account.

From the home page menu bar, the user can select the following functions:

- PARAMETERS - Read/write drive and option module parameters
- CONFIGURATION - Create/Delete/Edit user accounts
- SIGN IN/OUT - Sign in to or out from a user account

NOTE If the user does not have the required authorisation level to access the particular page then the following message will be shown.



7.6.4 User accounts

Up to 4 user accounts, in addition to the existing administrator account, can be created. These user accounts can have different access level privileges depending upon the security requirements for the account holder.

Administrator accounts

- Administrator accounts are intended to provide a high level of access to the drive and module settings.
- An administrator account should be reserved for engineering staff who have a thorough understanding of the drive and system.
- An administrative account is required for adding/removing accounts.
- Where possible more than one person should be given administration privileges.

Other user accounts

Other user accounts should be used for engineers that need to make changes to the system occasionally, different account types are available depending on the features required.

Table 7-35 shows the authorisation levels for each account type.

Table 7-35 User account authorisation levels

| Authorisation Level | Home Page | Parameters | | User Account |
|------------------------------|-----------|------------|-------|--------------|
| | | Read | Write | |
| Guest | Yes | No | No | No |
| Basic User (Read-Only) | Yes | Yes | No | No |
| Regular User (Read/Write) | Yes | Yes | Yes | No |
| Administrator (Manage Users) | Yes | Yes | Yes | Yes |

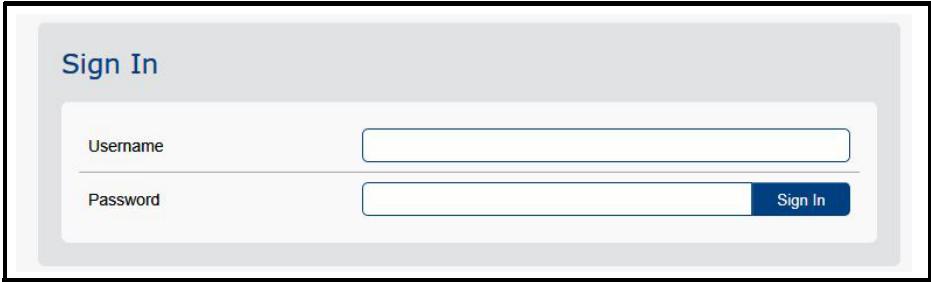
Multiple user access

It is not possible for a single user to sign in using different accounts from the same browser application even if the browser application has more than one instance running, however, the user can sign in to the same account or a different account using a different browser application.

If the user has multiple pages open of one account and signs out of that account from one browser then all open accounts from that browser application will also be closed. (The web page will need to be refreshed to show the change).

7.6.5 SIGN IN

When signing in, the following screen is shown.



The screenshot shows a 'Sign In' form. It features a title 'Sign In' in blue text. Below the title are two input fields: 'Username' and 'Password'. The 'Password' field includes a blue button labeled 'Sign In' to its right.

The default administrator account username is 'admin' with the password 'admin'.

The account username is not case-sensitive but the password is case-sensitive.

After signing in, the user can (depending upon account authorisation level):

- Create new user accounts (up to a maximum of 5 accounts)
- Delete existing user accounts (the main administrator account (admin) can not be deleted)
- Change existing user account details
- Read or write any drive or option module parameter

To sign out from the account simply click on SIGN OUT on the menu bar from any page, after signing out, the Ethernet interface will automatically display the home page.

7.6.6 CONFIGURATION

The CONFIGURATION menu allows the user to create new user accounts, delete existing user accounts or edit existing user account details.

NOTE This page is only available to users with an administrative authorisation level.

When this page is selected, the existing user accounts are displayed:

Add User

To add a user account, click the 'Add User' button, this will display the Account Editor page.

Enter a username, password and the desired authorisation level. (The password is case-sensitive).

Username

The username is restricted to a maximum of 15 characters with no restriction on the permissible characters, although it is recommended that alpha-numeric characters and some special characters (e.g. spaces and underscores etc.) are used mainly. Other special characters should be avoided as some of them have specific functions within HTML.

NOTE If no username is entered then the account will not be created.

Password

The password has no restrictions and can be any sequence of characters (or can also be left empty).

In this example we have chosen the username 'Supervisor' and the authorisation level 'Regular User'.

To create the new user account, click the 'Add User' button, the new user account will be created and displayed in the accounts list.

| Username | Authorisation Level | |
|------------|------------------------------|-------------|
| admin | Administrator (Manage Users) | Edit |
| supervisor | Regular User (Read/Write) | Delete Edit |

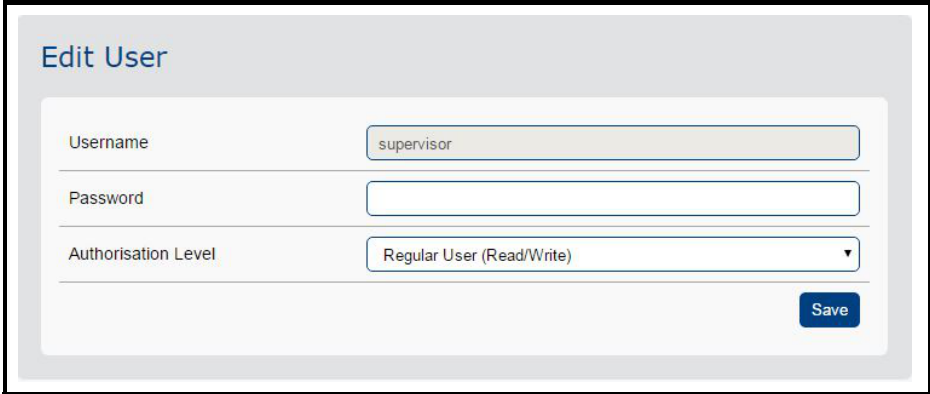
Delete User

To remove an existing user account, click the 'Delete' button of the relevant account on the 'Configuration' page.

NOTE The main administrator account 'admin' can not be deleted but the password may be changed.

Edit User

Existing user details (password and authorisation level) can be changed by clicking the 'Edit' button of the relevant account on the 'Configuration' page.



Edit User

Username

Password

Authorisation Level

Save

Enter the new password and/or the authorisation level and click 'Save' to activate the changes.

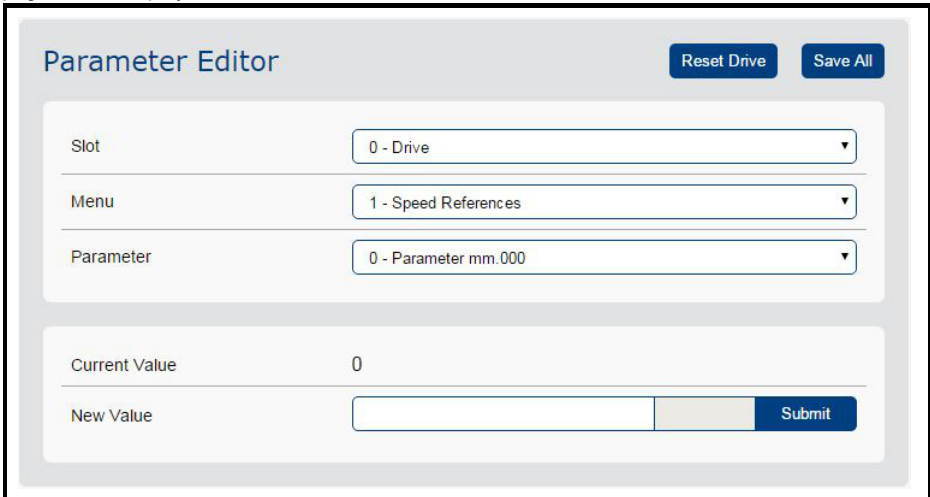
NOTE The username can not be changed.

7.6.7 PARAMETERS

The PARAMETERS menu allows the user to read or write any drive or option module parameter.

NOTE Only 'Regular Users' and 'Administrators' have the necessary authorisation level to change parameters.

To access the parameter editor page, click 'PARAMETERS' on the menu bar, the Parameter Editor page will be displayed.



Parameter Editor **Reset Drive** **Save All**

Slot

Menu

Parameter

Current Value 0

New Value **Submit**

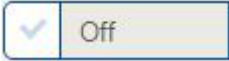
From this page, select the slot, menu and parameter to access, the current parameter value will be shown. This value is constantly updated (there is no need to refresh the page).

For parameters designated as read-only parameters, the option to enter a new value will not be displayed.

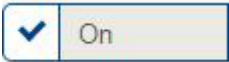
For writable parameters, to write a new value, enter the new value and click 'Submit'. The new value will be written to the specified parameter.

Some parameters will provide a drop-down box from which the desired option may be selected; parameters designated as bit parameters will provide a tick box to represent the desired state of the parameter (Off or On).

If the parameter state is currently 'On' then the tick box will be greyed out.



If the parameter state is currently 'Off' then the tick box will be highlighted.



To change the parameter state, click the tick box and then click the 'Submit' button.

The Parameter Editor page also provides buttons to reset the drive and save the parameters in the drive.

7.6.8 User timeout

There is a user timeout facility where the user will be logged out after a period of 5 minutes of inactivity unless the current web page is refreshed or data is updated on a page. In this situation, the web page will still indicate the user is logged in but, upon activating any web page, will then prompt the user to sign in.

8 PC Tools Applications

The Ethernet interface supports the following commissioning and programming software applications:

- Unidrive M Connect
- Machine Control Studio
- CTScope
- SyPTPro
- CT OPC server



Some parameters have a profound effect on the operation of the drive. They must not be altered without careful consideration of the impact on the controlled system. Measures must be taken to prevent unwanted changes due to error or tampering especially if a remote user can access the drive over Ethernet.

8.1 Unidrive M Connect

Unidrive M Connect is the Unidrive M configuration tool for commissioning, optimizing and monitoring the drive or system performance.

Features include:

- Fast task based commissioning and easy maintenance of the Unidrive M family is simplified via familiar Windows interface
- Intuitive graphical tools enhance and simplify user experience
- For experienced users, dynamic drive logic diagrams and enhanced searchable listings are present
- Drive and motor performance can be optimized with minimal specialized drive knowledge
- Tool is scalable to match application requirements
- Supports the import of Unidrive SP parameter files and allows full drive cloning (i.e. parameter sets and application program)
- Multiple simultaneous comms channels for a more complete overview of the system
- Drive discovery gives the ability to find drives on a network automatically without the user having to specify their addresses

For more information on using Unidrive M Connect please refer to the online help supplied.

8.2 Machine Control Studio

Machine Control Studio is a CoDeSys based development environment designed for use with the onboard user program of Unidrive M and the MCi200/MCi210 Machine Controller modules.

Programs can be written in one or more of the supported languages - structured text, function block, SFC (sequential function chart), ladder or instruction list - and downloaded to the onboard programming area on the Unidrive M. The run-time operation of the program can be monitored and the user can interact with the program by setting new values for program variables and drive parameters.

For more information on using Machine Control Studio please refer to the online help supplied.

8.3 CTScope

CTScope is a software application which provides commonly used oscilloscope features to monitor drive parameters.

Features include:

- Four channels
- Triggers
 - Start/Stop at absolute time
 - Start/Stop on value (rising/falling edge)
- Channels can capture parameter values from different nodes
- Scaling & offset per channel
- Cursors to aid measurement
- Zoom facility
- Scroll/Panning facility
- Save/load scope configurations with or without data
- Print facility

8.3.1 Configuration

All the appropriate configuration settings are displayed on the main screen. (CT-TCP/IP must be selected in the Communication Settings).

8.4 SyPTPro

SyPTPro is a complete integrated development suite for distributed drive applications. SyPTPro allows user programs to be developed for multiple nodes in DPL, ladder and function block programming languages. DPL (Drive Programming Language) is a high level language as easy to use as BASIC but optimized for drive applications. SyPTPro also allows user programs to be downloaded to nodes and the runtime operation of the programs to be monitored.

To use SyPTPro over Ethernet requires a version that provides Ethernet support, SyPTPro V02.01.00 or later includes support for TCP/IP.

NOTE SyPTPro can only be used to program a SI-Applications Plus option module and not an onboard drive program or a MCi200/MCi210 Machine Controller module.

For more information on using SyPTPro please refer to the online help supplied.

NOTE SyPTPro is only supported on the onboard Ethernet.

8.5 CT OPC server

OPC is a set of standards written to facilitate connection of a software application such as SCADA and HMI to industrial equipment such as drives and PLCs. Provided such devices have an associated OPC server (inbuilt or external), the standard removes the need for such applications to have any knowledge of how to obtain data from the device. If such applications implement an OPC client they can then obtain data from any devices for which OPC servers exist.

The OPC Data Access specification is based around Microsoft COM & DCOM technology and so servers and clients will typically be running on a Microsoft Operating system. The client and server can both run on the same computer or they can be connected via a standard network such as Ethernet.

The CT OPC server will allow software systems containing an OPC Data Access client to communicate with Unidrive M over Ethernet or Modbus RTU. It does not support any other manufacturers product. The server uses proprietary protocols to gather and distribute data to and from Unidrive M and offers a standard OPC DA interface to OPC Clients.

The CT OPC server supports versions 1, 2 and 3 of the OPC DA server specifications. These specifications are obtainable from the OPC foundation <http://www.opcfoundation.org>.

NOTE CT OPC server V03.01.00 or later supports TCP/IP over Ethernet.

For more information on using the CT OPC server please refer to the online help supplied.

The CT OPC server was originally developed for use with Unidrive SP, some limitations exist when used with Unidrive M, these limitations include:

- Unidrive M parameter database not supported
- No access to option module parameters (except SI-Applications Plus)
- Only parameters 99 or less can be directly accessed (Parameters with a number of greater than 99 can be mapped to menu 0 and the menu 0 parameter then accessed).

9 Security

9.1 Introduction

On open networked systems it is important that security is considered. Security covers aspects such as access to devices using passwords, network infrastructure, company procedures and backup procedures.

The physical system security should be enforced with acceptable user policies and appropriate employee guidelines.

9.2 General site security issues

9.2.1 Connecting your computer

It is important to remember that when connecting your computer to an existing network you will have an impact on the data and services on that network. Particular care should be taken not to interrupt the flow of data by disconnecting cables, powering down switches/routers, or interrupting data flow by sending large amounts of data over the network.

9.2.2 Virus considerations

Connecting your computer to a network carries the risk of transferring computer viruses to other computers on that network. It is vital that when connecting to a network you ensure that your anti-virus software is up to date and activated. Many operating system vendors offer regular product updates to increase stability and reduce the risk of malicious programs causing damage to your corporate infrastructure.

NOTE The use of a quality anti-virus solution on any networked system is recommended. The overall network security policy resides with the network administrators and any connections to a network should be approved by the network administrators.

9.2.3 Firewall issues

When a high level of security is required between the automation network and the business network a firewall should be used. This helps prevent unwanted traffic passing between the networks and can be used to restrict access to certain machines or users.

NOTE Some managed switches provide control methods for network traffic, however a firewall offers significantly more features. Configuration of a switch or firewall is beyond the scope of this document.

9.3 Default restrictions

By default, all supported protocols are available. This can be changed using the relevant protocol menu.

| |
|----------------------------|
| Safety Information |
| Introduction |
| Mechanical Installation |
| Electrical Installation |
| Getting started |
| Parameters |
| Key features and Protocols |
| PC Tools Applications |
| Security |
| Diagnostics |
| Glossary of terms |
| Index |

10 Diagnostics

This section of the manual provides basic diagnostic information intended to enable resolution of the most common problems encountered when setting up the Ethernet interface on an Ethernet network.

A high percentage of problems reported are basic setup problems that can be avoided by using the following pages. Start by using the *Diagnostic flow chart* on page 206 to determine the possible cause of a problem. If after following the flow chart you are still experiencing problems please contact your supplier or local drive supplier for support.

NOTE Please note that support will be limited to the setting up and networking of the drive and not network infrastructure design.

10.1 LED diagnostics

Each Ethernet connection has an associated LED to aid diagnostics, in the case of the onboard Ethernet interface, this LED is mounted below the associated RJ45 connector; the SI-Ethernet option module has two LEDs mounted on the topside of the module (Figure 2-1 *SI-Ethernet* on page 10).

The connection status for the first port (nearest the grounding tab) is indicated by LED "A", and the second port is indicated by LED "B".

The function of these LEDs are described in Table 10-1 *LED functionality* below.

Table 10-1 LED functionality

| LED State | Description |
|----------------|--|
| Off | Ethernet connection not detected. |
| Steady green | Ethernet connection detected but no data. |
| Flashing green | Ethernet communication detected and data flow. |

10.2 Drive trip display codes

If the Ethernet interface detects an error during operation, it will force a trip on the drive. However, the trip string displayed on the drive will only indicate which slot initiated the trip, if the error originated from the onboard Ethernet interface then the default slot will be 4, however, if the SI-Ethernet option module generated the trip then the slot number will be the slot number the SI-Ethernet option module is fitted to. The exact reason for the trip will be indicated in the drive trip code parameters (Pr **0.10.020** and Pr **0.10.070**).

Table 10-2 *Drive trip indications* on page 203 following shows the possible trips that will be displayed on the drive when a problem is detected or the Ethernet interface initiates a trip.

Table 10-2 Drive trip indications

| Trip | Description |
|-------------------------|--|
| SlotX HF | The drive has detected that an Ethernet interface is present but is unable to communicate with it due to a hardware fault. |
| SlotX Error | User trip generated by the Ethernet interface |
| SlotX Not Fitted | This trip will occur if a drive slot was previously configured with an option module but on power up, no option module was detected. |
| SlotX Different | This trip will occur if a drive slot was previously configured with an option module but on power up, a different option module was detected. Replacing the option module with another one of the same ID number will not initiate this trip. The trip will also occur if an option module is installed to a previously unused slot. |

10.3 Ethernet sub trip codes

Table 10-3 below shows the possible Ethernet sub trip codes displayed in Pr **0.10.070** and their relevant text strings.

Table 10-3 Ethernet error codes

| Value Pr 0.10.070 | Sub trip string | Description |
|-------------------|------------------|--|
| 100 | Link Loss | Network link has been lost |
| 101 | E/IP Timeout | An Ethernet/IP RPI timeout trip has occurred |
| 102 | E/IP Read Param | Invalid read consistency parameter, is parameter read only? |
| 103 | E/IP Write Param | Invalid write consistency parameter, is parameter read only? |
| 104 | E/IP Fault | An unexpected Ethernet/IP error has occurred |
| 105 | Modbus Timeout | The Modbus connection has timed out |
| 106 | Cyclic Timeout | Cyclic Rx link timeout |
| 107 | Cyclic RX Late | Cyclic Rx data was received late |
| 108 | INIT Switch | Ethernet switch initialization error |
| 109 | INIT PTP | IEEE1588 (Precision Time Protocol) initialization error |
| 110 | INIT Cyclic | Cyclic data initialization error |
| 111 | INIT Modbus | Modbus TCP initialization error |
| 112 | INIT SMTP | Email (SMTP) initialization error |
| 113 | INIT Ethernet/IP | Ethernet/IP initialization error |
| 114 | INIT TCP/IP | TCP/IP initialization error |
| 115 | Ethernet Failure | Ethernet controller initialization error |
| 116 | E/IP PLC IDLE | Ethernet/IP PLC Idle |
| 117 | Sync Task ORun | Synchronous task overrun |

| Value Pr 0.10.070 | Sub trip string | Description |
|----------------------|------------------|--|
| 118 | INIT Param Chann | Parameter channel Initialization error |
| 119 | Link Overload | Too many links to be handled in the same cycle |
| 120 | Mcast Over Limit | Too many multicast addresses being used |
| 200 | Software Fault | Software Fault |
| 201 | BG Overrun | Background task overrun |
| 202 | Firmware Invalid | Invalid firmware for hardware version |
| 203 | Drive Unknown | Unknown drive type |
| 204 | DriveUnsupported | Unsupported drive type |
| 205 | Mode Unknown | Unknown drive mode |
| 206 | Mode Unsupported | Unsupported drive mode |
| 207 | FLASH Error | Corrupted Non-volatile FLASH |
| 208 | Database Init | Database initialization error |
| 209 | File System Init | File system initialization error |
| 210 | Mem Allocation | Memory allocation error |
| 211 | Filesystem Error | File system error |
| 212 | Config Save | Configuration file save error |
| 213 | Over Temperature | Overheated |
| 214 | Drive Timeout | The drive has not responded within watchdog period |
| 215 | eCMP Comms Error | eCMP communication failure |
| 216 | TO eCMP Slot1 | eCMP communication to slot 1 timeout |
| 217 | TO eCMP Slot2 | eCMP communication to slot 2 timeout |
| 218 | TO eCMP Slot3 | eCMP communication to slot 3 timeout |
| 219 | TO eCMP Slot4 | eCMP communication to slot 4 timeout |
| 220 | I/O Overload | Digital output current demand too high |
| 221 | Factory Settings | Missing factory settings |
| 222 | Functional Test | Functional test failure |
| 223 | Config Restore | Configuration file restore error |
| 224 | Self Test Error | Power on self test error |
| 225 | Runtime Config | Runtime configuration error |
| 226 | Processor except | Processor exception |
| 227 | Task Starvation | System task starvation |

10.4 Ethernet sub trip codes

If the Ethernet interface detects an alarm condition during operation, it will set the appropriate bit in *Active Alarm Bits MM.009*. Table 10-4 *Ethernet alarm bits* on page 205 shows the possible conditions.

Table 10-4 Ethernet alarm bits

| Bit (Pr MM.009) | Alarm | Description |
|--------------------|-----------------|---|
| 0 | User Program | The user program has generated an alarm |
| 1 | eCMP | An eCMP alarm has been generated |
| 2 | Modbus | A Modbus alarm has been generated |
| 3 | Ethernet/IP | An Ethernet/IP alarm has been generated |
| 4 | <i>Reserved</i> | <i>Reserved</i> |
| 5 | File System | File system full alarm has been generated |
| 6 | Too Hot | Temperature too high alarm has been generated |

10.5 Ethernet hardware fault trip codes

If the Ethernet interface detects an internal hardware error, it will force a SlotX.HF (code 250) trip on the drive with an appropriate sub trip string. Table 10-5 shows the possible error codes and sub trip strings.

Table 10-5 Ethernet hardware fault trip codes

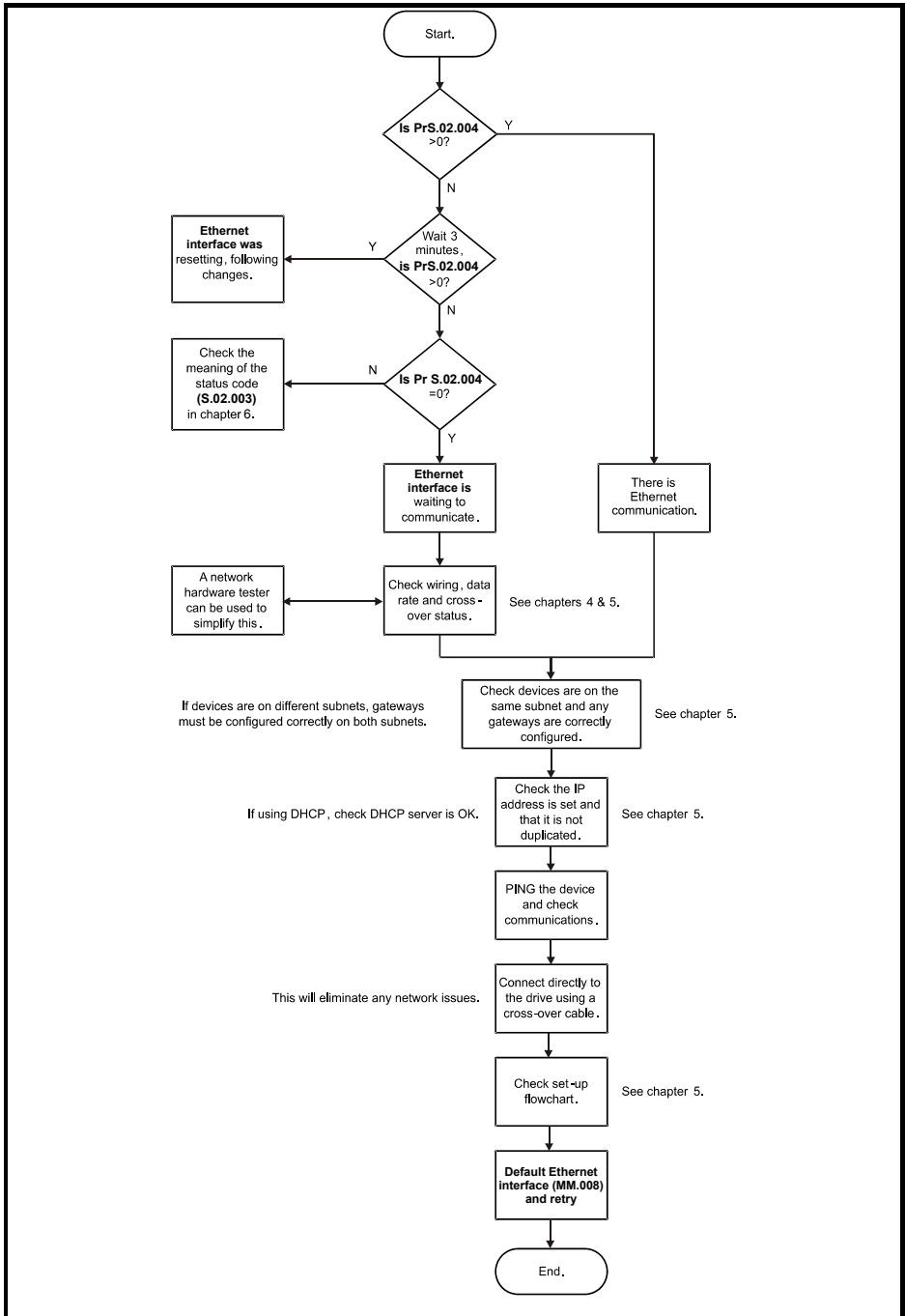
| Value Pr 0.10.070 | Reason |
|----------------------|--|
| 1 | The module category cannot be identified |
| 2 | All the required customisable menu table information has not been supplied or the tables supplied are corrupt |
| 3 | There is insufficient memory available to allocate the comms buffers for this module |
| 4 | The module has not indicated that it is running correctly during drive power-up |
| 5 | The module has been removed after power-up or it has ceased to indicate to the drive processor that it is still active |
| 6 | The module has not indicated that it has stopped accessing drive parameters during a drive mode change |
| 7 | The module has failed to acknowledge that a request has been made to reset the drive processor |
| 8 | The drive failed to read correctly the menu table from the module during drive power-up |
| 9 | The drive failed to upload menu tables from the module and timed-out (5s) |
| 10 | Menu table CRC invalid |

Recommended actions:

Ensure the option module is installed correctly.

- Replace the option module.
- Replace the drive.

10.6 Diagnostic flow chart



11 Glossary of terms

Address: This is the unique network identification given to a networked device to allow communication on a network. When a device sends or receives data the address is used to determine the source and the destination of the message.

ADU: Application Data Unit. The complete Modbus message frame (ADU) consists of the Modbus Application Protocol (MBAP) and Protocol Data Unit (PDU).

Assembly object: A software component within the Ethernet interface which allows access to the parameters within the drive or which allows control and monitoring of the drive by using the EtherNet/IP protocol.

Attribute: A sub-division of a **Class** which uniquely identifies a specific command.

e.g. The *VendorID* is an attribute of the *Identity object* class.

Used in conjunction with the **Class** and **Instance** properties.

Auto-crossover detection: A method used to automatically detect if a crossover or non-crossover network cable is connected.

Bit: A binary digit, this may have the value of 1 or 0.

Byte: A collection of 8 binary digits that collectively store a value. This may be signed or unsigned.

Class: A collection of properties which allow the control or monitoring of a device. Used in conjunction with the **Instance** and **Attribute** properties.

Consistency: A method of ensuring that the data transferred over the network is transmitted as a single entity, thus preventing data skew when multiple bytes are transmitted.

Control word: A collection of binary digits that are used to control the drive. Features typically include directional controls, run controls and other similar functions.

Crossover lead: A network cable where the terminal connections at one end of the cable are connected straight through to the other end with the exception of the data pair which are transposed. Normally used to connect two network devices together as a separate network.

Cyclic (implicit or polled) data: Data that is transmitted at regular intervals over the network. Sometimes referred to as "Implicit data" or "Polled data".

| |
|----------------------------|
| Safety Information |
| Introduction |
| Mechanical Installation |
| Electrical Installation |
| Getting started |
| Parameters |
| Key features and Protocols |
| PC Tools Applications |
| Security |
| Diagnostics |
| Glossary of terms |
| Index |

Data rate: Determines the communication speed of the network, the higher the value the more data can be sent across the network in the same time period.

Device: A piece of equipment connected to a network, this may be any type of equipment including repeaters, hubs, masters or slaves.

DNS: Domain Name Server. This is a server that is used to convert a URL such as "www.controltechniques.com" to an IP address such as 129.254.254.106.

Double word: A 32 bit word, this may be signed or unsigned.

DHCP: Dynamic Host Configuration Protocol. This is a method of allocating IP settings of a node from a central server.

Grounding: Describes the electrical safety or shielding connections for the module.

EDS File: Electronic Data Sheet file. A file which specifies the EtherNet/IP device functionality.

Ethernet address: See *MAC address*.

EtherNet/IP: An industrial application layer protocol for communicating to devices over Ethernet. The EtherNet/IP protocol communicates to the drive using assembly objects.

Exception codes: An error response from Modbus.

Explicit data: See *Non-cyclic data*.

Firewall: A computer or piece of software that restricts connections between different ports. This can be useful when restricting data flow between two network segments.

FTP: File Transfer Protocol. Used for transferring files.

Gateway: A device that allows devices on different subnets or networks to communicate with each other.

Hub: A method of connecting computers together on Ethernet. An un-switched hub will repeat any data received on one port to all ports.

HTTP: Hypertext transfer protocol. This is a document specification protocol. Commonly used in web pages.

Implicit data: See *Cyclic data*.

Instance: A collection of properties (**Attributes**) that are contained within a **Class**. Used in conjunction with the **Class** and **Attribute** properties.

IP: Internet Protocol, this is the protocol used to transmit bytes across an IP network.

IP address: An address that identifies a node uniquely on a subnet or network.

IP subnet: A part of an IP network that consists of a range of addresses that may be accessed by all devices on the same network directly.

LED: Light Emmiting Diode.

Long word: A 32 bit data word that may be signed or unsigned.

LSB: Least Significant Bit/Byte.

MAC address: This is a unique address that is assigned to the Ethernet interface at the time of manufacture. No other device will have this address. The address is used to make connections to the interface before the IP address is assigned.

MBAP: Modbus application protocol. This is a 7 byte header added to the main Modbus telegram (PDU) which contains IP specific identifiers.

Modbus IP: A protocol that allows Modbus to be sent over TCP/IP. The modbus protocol allows manipulation of the parameters within the host drive and option modules.

MSB: Most Significant Bit/Byte.

Node: A device on the network. This may be either a device such as a drive or part of the network such as a repeater.

Non-crossover lead: See *Patch lead*.

Non-cyclic (explicit) data: Data that is requested or sent as required and not on a regular basis. Sometimes referred to as "Explicit data".

Octet: A collection of 8 binary digits which form a byte.

Patch lead: A network cable where the terminal connections at one end of the cable are connected straight through to the other end on a pin to pin basis. Normally used to connect a network device to a network switch.

PC: Personal Computer.

PDU: Protocol Data Unit. This is the main Modbus message telegram, to which is added the MBAP header to form the complete Modbus telegram.

PLC: Programmable Logic Controller.

Poll rate: The rate at which cyclic data is sent and received on the network.

Polled data: See *Cyclic data*.

Router: A device that is used to connect different networks or subnets, in a similar way to a firewall, however a router generally allows significantly less control of the data.

RPI: Requested Packet Interval. Specifies the expected time for the device to respond to a request.

Scan rate: See *Poll rate*.

Shielding: A connection to provide additional immunity to noise used on a network cable.

SMTP: Simple Mail Transfer Protocol. A protocol used for sending email.

SNTP: Simple Network Time Protocol. A protocol used for synchronising time over a network.

Status word: A value that denotes the status of the drive. Each bit within the word will have a specific meaning.

Subnet: A part of a network that has IP addresses in the same range. Devices on the same subnet may communicate directly with other devices on the same subnet without the use of a gateway.

Subnet mask: Defines which part of the IP address constitutes the subnet address and which part constitutes the host device address.

Switch: A device that allows Ethernet devices to be interconnected.

TCP: Transmission Control Protocol, this protocol is responsible for ensuring that the data on the network reaches its destination.

URL: Uniform Resource Locator. A method used to give a web site a friendly name such as *www.controltechniques.com* as an alternative to an IP address.

VPN: Virtual Private Network. A method of using a non-secure or public network that allows devices to be connected together as if they were a part of a private network.

Word: A collection of 16 binary digits.

XML: Extensible Markup Language. A document definition that is intended to transfer data.

| |
|----------------------------|
| Safety Information |
| Introduction |
| Mechanical Installation |
| Electrical Installation |
| Getting started |
| Parameters |
| Key features and Protocols |
| PC Tools Applications |
| Security |
| Diagnostics |
| Glossary of terms |
| Index |

Index

A

| | |
|----------------------------|----------|
| AC/DC Drive object | 186 |
| Addressing | 17 |
| Addressing etiquette | 17 |
| Advanced EDS File | 158 |
| Alternative notation | 19 |
| Assembly object | 162, 207 |
| Attribute | 207 |

B

| | |
|---------------------------------------|-----|
| Basic speed and torque control | 166 |
| Basic speed and torque feedback | 172 |
| Basic speed control | 163 |
| Basic speed feedback | 169 |

C

| | |
|---|-----|
| Cable shield connections | 15 |
| Cabling | 15 |
| Cabling considerations | 14 |
| Cautions | 6 |
| Class A addresses | 18 |
| Class B addresses | 18 |
| Class C addresses | 18 |
| Class D & E addresses | 18 |
| Class Types | 18 |
| Completing the address | 19 |
| Configuring SM-Ethernet cyclic parameters | 161 |
| Configuring the PLC | 162 |
| Conformance | 11 |
| Connection and indications | 14 |
| Control Supervisor object | 182 |
| Control Techniques object | 191 |
| CTSoft | 198 |
| Cyclic (implicit or polled) data | 207 |
| Cyclic (implicit or polled) data transfer | 161 |

D

| | |
|-----------------------------|-----|
| Default restrictions | 201 |
| DHCP considerations | 19 |
| Diagnostic flow chart | 206 |
| Diagnostics | 202 |

E

| | |
|--|----------|
| EDS File | 208 |
| Electrical installation | 14 |
| Electrical safety | 6 |
| EtherNet/IP | 158, 208 |
| Extended speed and torque control | 167 |
| Extended speed and torque feedback | 173 |
| Extended speed control | 165 |

| | |
|---|---------|
| Extended speed feedback | 170 |
| F | |
| Firewall issues | 201 |
| Fixed IP addressing | 19 |
| G | |
| Getting started | 17 |
| Glossary of terms | 207 |
| Grounding | 14 |
| H | |
| Hubs | 15 |
| I | |
| Installing SyPTPro | 199 |
| Instance | 209 |
| Introduction | 9 |
| IP address | 19 |
| L | |
| Layout | 14 |
| LED Diagnostics | 202 |
| Length of cable | 15 |
| M | |
| Minimum software versions required for Ethernet | 17, 198 |
| Modbus function codes | 135 |
| Modbus TCP/IP | 135 |
| Module identification | 206 |
| Module information | 14 |
| N | |
| Network design | 17 |
| Network length | 15 |
| Network topology | 15 |
| Non-cyclic (explicit) data | 209 |
| Non-cyclic (explicit) data transfer | 161 |
| O | |
| Object Class | 207 |
| Object Model | 175 |
| OPC server | 200 |
| P | |
| PC/PLC considerations | 36, 135 |
| Problems | 202 |
| Protocols | 135 |
| R | |
| Read consistency | 158 |
| Registers | 135 |
| Requested Packet Interval (RPI) Timeout Trip | 158 |
| Routing | 20 |
| S | |
| Safety information | 6 |

| |
|----------------------------|
| Safety information |
| Introduction |
| Mechanical installation |
| Electrical installation |
| Getting started |
| Parameters |
| Key features and protocols |
| PC Tools Applications |
| Security |
| Diagnostics |
| Glossary of terms |
| Index |

| | |
|--|----------|
| Security | 198, 201 |
| Security levels | 201 |
| Set-Up Flow Chart | 21 |
| Shield | 15 |
| Site security | 201 |
| SM-LON module - front view | 12 |
| SNTP | 158 |
| Subnet mask | 19 |
| Supported drive assembly objects | 162 |
| V | |
| Virus considerations | 201 |
| W | |
| Warnings | 6 |
| Where do IP addresses come from? | 17 |
| Write consistency | 159 |

驱动世界发展.....



Control Techniques A leader in intelligent drives, drive systems & Solar PV energy

尼得科 **Control Techniques** (简称**尼得科CT**)

2017年3月, **Control Techniques** 加入尼得科集团, **Control Techniques** 以其40多年来驱动技术领域专业经验, 为客户提供高性能, 高可靠性的能效型产品。其先进的数据技术包括交、直流驱动器和伺服电机与控制器。我们致力于工业自动化发展, 从英国总部的产品开发, 到全球45个自动化中心, 能够为您提供全方位行业解决方案。

Control Techniques 一直是驱动器领域的专家和运动控制技术的全球领导者。

在中国, 我们(上海绿创)是尼得科 **Control Techniques** 一级代理商和维修中心。为客户提供专业, 全面, 快速的驱动解决方案与最优质的售后技术维修等整体服务。

关于尼得科CTI上海绿创

上海绿创自动化设备有限公司(原上海盛控)是一家高科技民营企业, 位于上海闵行区莘庄镇。

本公司为尼得科CT(**Control Techniques**)一级代理商&维修服务中心

ABB葆德一级代理商及全国技术服务中心 & 安川变频伺服全国重点分销中心

专业提供变频器维修, 直流调速器维修, 伺服驱动器维修, 伺服电机维修及相关技术服务等

如需了解详情, 请你浏览网站: <http://www.ams-ct.com>; 联系电话: 021-51093390



为了快速的获得服务与支持, 您可以通过以下方式联系我们:

总机: +86-021-51093390 直线: +86-021-34172694

传真: +86-021-51093390*8016 021-64785447

地址: 上海市闵行区园文路28号金源中心1019室

网址: <http://www.shlc-ct.com>

邮箱: shlc@shlc-ct.com

24 x 365小时全天候为用户电话支持、受理商务及技术咨询。

全国免费客服热线: **400-021-5108**



轻松一扫, 即刻体验!