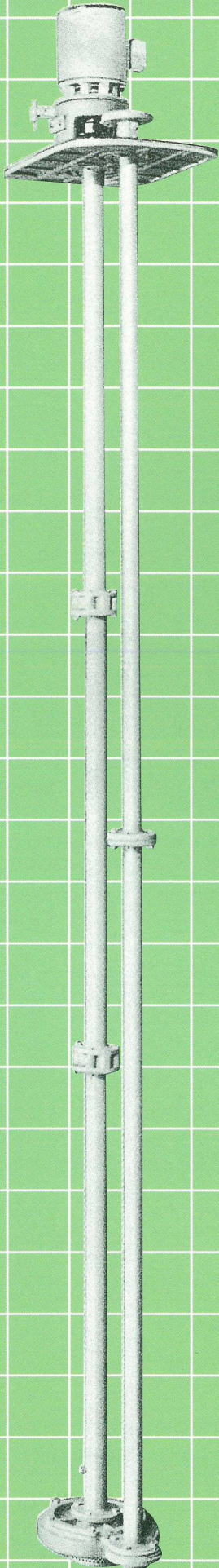


ソウゴ立軸 汚水汚物用

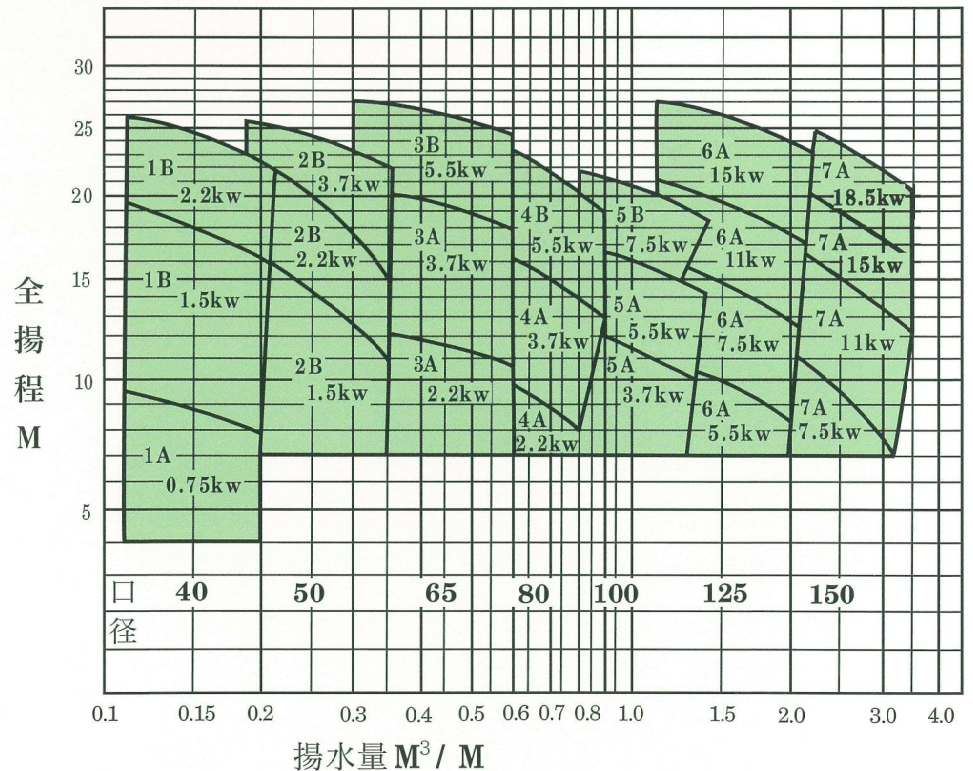
ポンプ。CNV型

- 開放羽根車で羽根巾広く異物の通過が良好
- 上部軸受は密封玉軸受で給油不要
- 上部軸受部に防塵保護装置
- 完全な標準化
- 耐久性大



CNV型選定図

1750r.p.m 60Hz



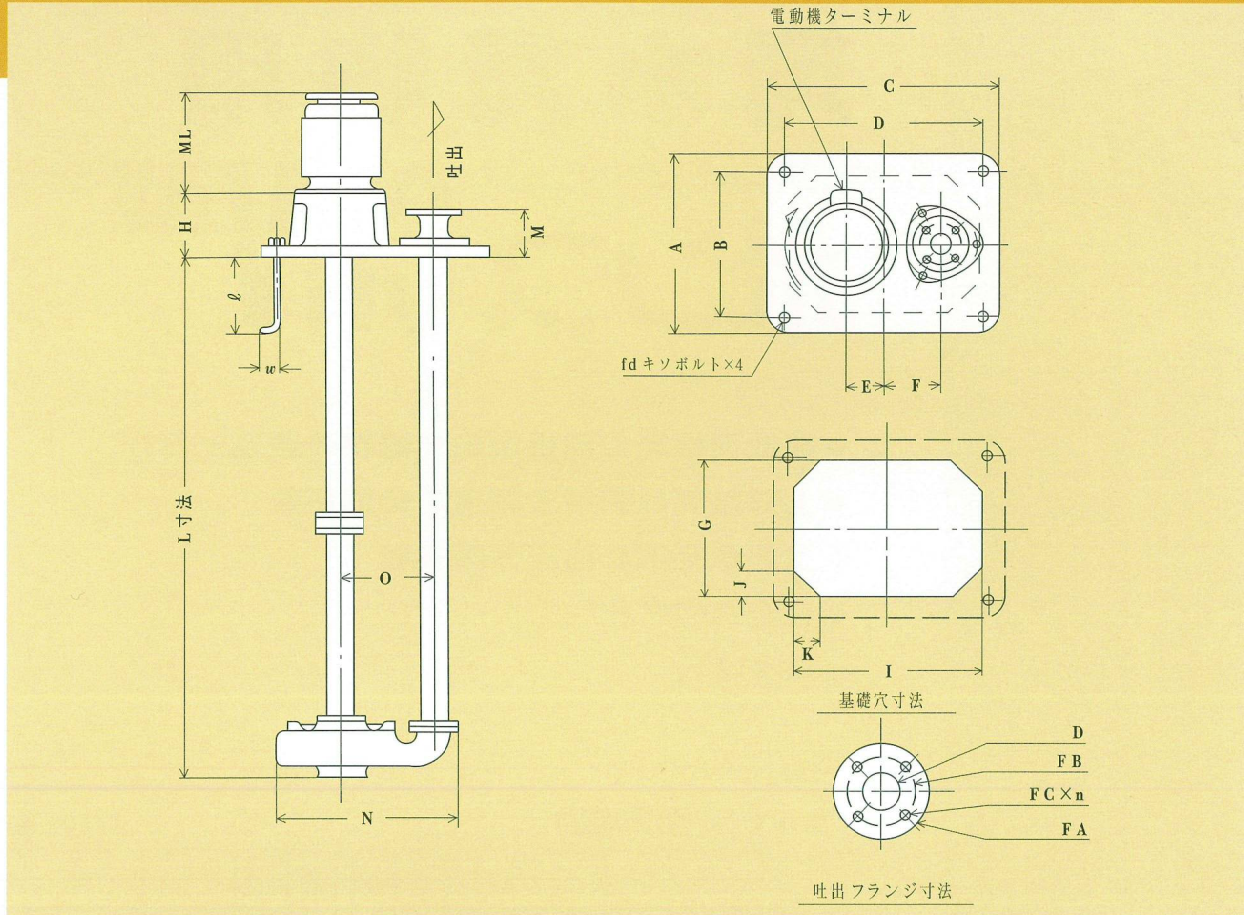
 株式会社 相互ポンプ製作所

本社 〒533-0004 大阪市東淀川区小松1丁目18番19号
 TEL 06(6328)5780番(代表) FAX 06(6328)5840番
 東京営業所 〒130-0022 東京都墨田区江東橋3丁目10番8号 オーク錦糸町ビル
 TEL 03(3631)2161番 FAX 03(3631)2162番

ホームページアドレス <http://www.sogopump.co.jp/>

CNV型

外形寸法図



CNV型外形寸法表

口径 D	型 式	電動機 kw	A	B	C	D	E	F	G	I	J	K	H	ML	M	O	N	ℓ	w	fd	重量 kg L=3m
40	CNV-1A	0.75	470	360	600	490	95	160	390	520	100	100	200	250	125	225	452	150	40	15	120
	CNV-1B	1.5	"	"	"	"	"	"	"	"	"	"	"	291	"	"	"	"	"	"	126
	CNV-1B	2.2	"	"	"	"	"	"	"	"	"	"	"	322	"	"	"	"	"	"	135
50	CNV-2B	1.5	"	"	"	"	"	"	"	"	"	"	"	291	"	"	"	"	"	"	130
	CNV-2B	2.2	"	"	"	"	"	"	"	"	"	"	"	322	"	"	"	"	"	"	140
	CNV-2B	3.7	"	"	"	"	"	"	"	"	"	"	"	355	"	"	"	"	"	"	152
65	CNV-3A	2.2	"	"	"	"	"	"	"	"	"	"	"	322	180	"	480	"	"	"	190
	CNV-3A	3.7	"	"	"	"	"	"	"	"	"	"	"	355	"	"	"	"	"	"	203
	CNV-3B	5.5	"	"	"	"	"	"	"	"	"	"	250	398	"	"	"	"	"	"	217
80	CNV-4A	2.2	"	"	"	"	"	"	"	"	"	"	200	322	"	"	"	"	"	"	196
	CNV-4A	3.7	"	"	"	"	"	"	"	"	"	"	"	355	"	"	"	"	"	"	208
	CNV-4B	5.5	"	"	"	"	"	"	"	"	"	"	250	398	"	"	"	"	"	"	242
100	CNV-5A	3.7	"	"	"	"	"	"	"	"	"	"	230	355	"	"	476	"	"	"	300
	CNV-5A	5.5	"	"	"	"	"	"	"	"	"	"	250	398	"	"	"	"	"	"	316
	CNV-5B	7.5	640	520	720	600	150	140	450	640	"	"	265	436	"	260	522	200	50	19	355
125	CNV-6A	7.5	"	"	"	"	"	175	"	"	"	"	"	"	230	"	580	"	"	"	443
	CNV-6A	11	"	"	"	"	"	"	"	"	"	"	295	518	"	"	"	"	"	"	482
	CNV-6A	15	"	"	"	"	"	"	"	"	"	"	562	"	"	"	"	"	"	"	507
150	CNV-7A	7.5	"	"	"	"	"	190	"	"	"	"	"	436	"	"	"	"	"	"	450
	CNV-7A	11	"	"	"	"	"	"	"	"	"	"	518	"	"	"	"	"	"	"	489
	CNV-7A	15	"	"	"	"	"	"	"	"	"	"	562	"	"	"	"	"	"	"	514
	CNV-7A	18.5	"	"	"	"	"	"	"	"	"	"	"	"	"	"	"	"	"	"	"

③ 電動機はE種防滴型立軸でJIS標準寸法によります。ML寸法はメーカーによって多少異なります。

フランジ寸法

D	FA	FB	FC×n
40	140	105	15×4
50	155	120	15×4
65	175	140	15×4
80	185	150	15×8
100	210	175	19×8
125	250	210	21×8
150	280	240	21×8

- ストレナー付及び槽外用も製作しております。
- L寸法は床盤下面より吸込口先端までカストレーン先端までの長さを表わします。
- 槽内、槽外用ともにそれぞれ長所、利点をもっていますから現場の状況より適切と思われるものを御採用下さい。

標準付属品

軸継手1組、基礎ボルト1組、給油器1個、相フランジ1枚、槽外用の場合は上記以外に、スタンドエルボ1個、吸込口仕切弁1個、ドレン用仕切弁及逆止弁1個。