



说明书
Specification

CQB型不锈钢磁力齿轮泵

CQB STAINLESS STEEL MAGNETIC GEAR PUMP



浙江上武流体科技有限公司

Zhejiang Shang Wu Fluid Technology Co., Ltd.

CQB型 不锈钢磁力齿轮泵 STAINLESS STEEL MAGNETIC GEAR PUMP



特点、用途与使用条件

CQB型不锈钢磁力齿轮泵采用优质不锈钢304或316的泵壳和PPS塑料齿轮，填充聚氟乙烯等耐腐蚀材料，精密制造加工而成。齿轮用氟塑制造，具有结构简单、外形美观、低噪音、稳压力、准流量、带自吸、加上无泄漏密封结构设计，永磁联轴的驱动，确保流体的安全输送，可用于各种液体的取样、制药、计量、冷却、输送、分发，循环，罐装等。磁力驱动齿轮泵（磁力泵）广泛的应用于：制药机设备、医疗设备、医用渗透析设备、激光仪器、制冷系统、微型冷却装置、取样仪器、食品加工设备、实验用仪器、水净化和超过滤系统、喷码机、喷绘机制造、高性能彩色印刷机、纸烟烟丝香料添加、胶片制造半导体制造等行业。

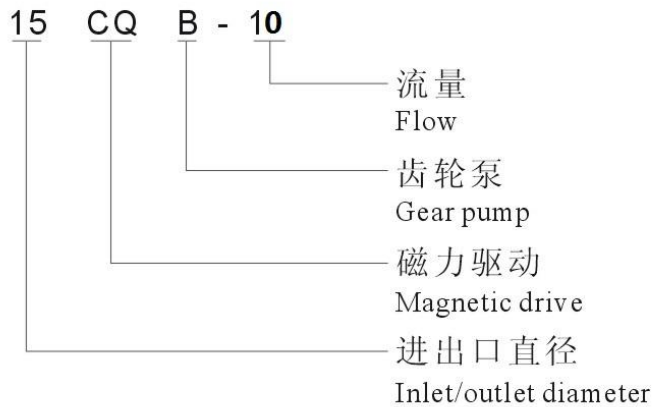
Characteristics, Purpose and Working Conditions

The CQB stainless steel magnetic gear pump is manufactured and processed with precision, which adopts high-quality stainless steel 304 or 316 casing, PPS plastic gear and filling of such corrosion-resistance materials as PVF. With its gear made of fluoroplastics, it is featured by simple structure, attractive appearance, low noise, stable pressure, accurate flow, self-priming, zero-leakage seal structure design and permanent magnet coupling drive, thus ensuring the fluid's safe transportation. It can be used for various liquids' sampling, pharmacy, measurement, cooling, transportation, distribution, circulation, canning and so on. The magnetic drive gear pump (magnetic pump) is widely applied in such industries as: pharmaceutical devices, medical devices, medical permeation chromatography equipment, laser instruments, refrigeration systems, micro cooling units, sampling instruments, food processing equipment, experimental instruments, water purifying and ultrafiltration systems, spray code machines, manufacture of inkjet printers, high-performance color printing machines, spice addition of cigarette and tobacco shred, and manufacture of films and semiconductors.

CQB型 不锈钢磁力齿轮泵 STAINLESS STEEL MAGNETIC GEAR PUMP



型号意义



工作条件和性能范围 Working conditions and performance range

介质温度在-46℃—176℃ 范围之内 Medium temperature within -46℃-176℃	粘度0.2到1500cps Viscosity within 0.2-1,500cps
磁钢材料：锶铁氧体-40℃—120℃ Magnetic steel material: strontium ferrite, -40℃-120℃	不锈钢材质304或316 Stainless steel material (304 or 316)
齿轮材料 Peek Gear material, Peek	O环四氟或三元乙丙橡胶 O-ring, PTFE or EPDM
泵连续使用0—150PSI Continuous use of pump, 0-150PSI	间歇使用150—200PSI Intermittent use, 150-200PSI

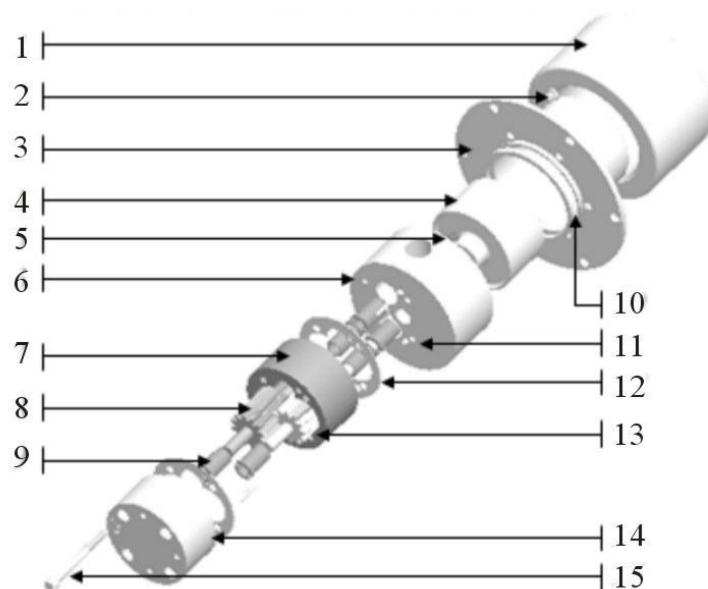
第一次使用时应将泵内灌满液体，液体的温度与黏度影响泵的扬程，禁止干转。

For the first time of use, it's necessary to fill the pump with the liquid, and the liquid's temperature and viscosity affect the pump's lift head. The dry run is prohibited.

CQB型 不锈钢磁力齿轮泵 STAINLESS STEEL MAGNETIC GEAR PUMP



结构说明 Structure description



1	外磁钢杯 External magnetic steel cup	2	隔离套 Spacer sleeve	3	压板 Press plate
4	内磁钢总成 Internal magnetic steel assembly	5	M5×6内六角螺丝 M5×6 hex socket cap screw	6	泵体下端 Lower end of pump body
7	泵体 Pump body	8		9	
		11	从动齿轮 Driven gear	12	四氟轴套×6 PTFE bushing ×6
10	四氟垫圈 PTFE gasket	14	φ4×8×4销钉 φ4×8×4 pin	15	四氟垫片×2 PTFE gasket ×2
13	主动齿轮 Driving gear		泵盖 Pump bonnet		M4×55×4螺丝 M4×55×4 screw

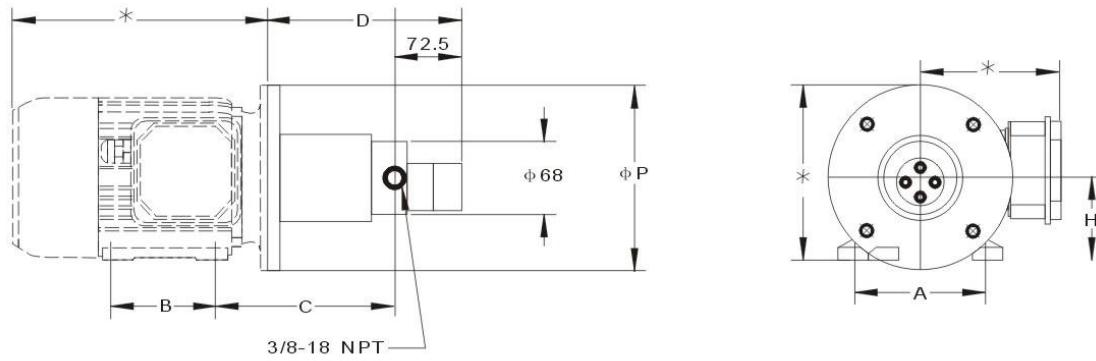
性能参数 Performance parameter list

型号 Type	功率 Power (W)	电压 Voltage (V)	压力 Pressure (MPa)	额定流量 Flow (L/min)	转速 Speed (r/min)	频率 Frequency (Hz)	进出口径 Caliber (G)
8CQB-3	120	380/220/24	0.5	3	2800	50/60	1/8"
10CQB-5	180	380/220/24	0.5	5	2800	50/60	1/8"
15CQB-10	370	380/220/24	0.5	10	2800	50/60	3/8"
20CQB-15	550	380/220/24	0.5	15	2800	50/60	1/2"

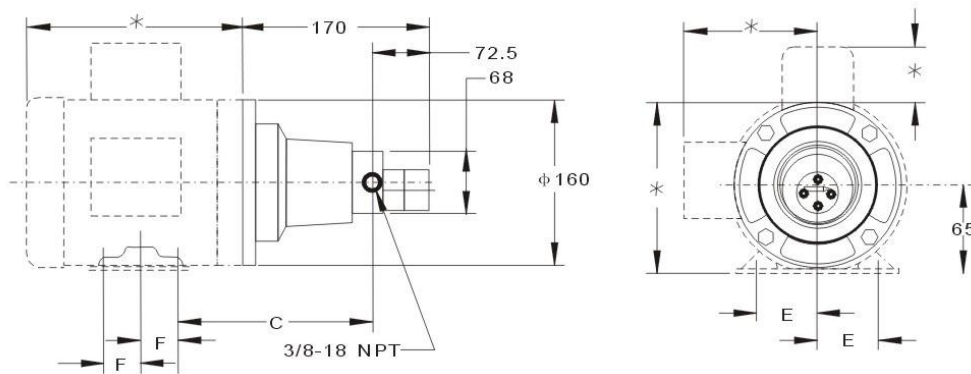
CQB型 不锈钢磁力齿轮泵 STAINLESS STEEL MAGNETIC GEAR PUMP



安装尺寸图 Installation dimension diagram



型号 Type	A mm(in)	B mm(in)	C mm(in)	D mm(in)	H mm(in)	P mm(in)
8CQB-3	90	70	90	102	57	83
10CQB-5	90	70	90	75	60	100
15CQB-10	100	80	136	170	65	115
20CQB-15	110	90	150	160	70	160



型号 Type	C mm(in)	E mm(in)	F mm(in)
8CQB-3	90	43.5	33.5
10CQB-5	90	43.5	33.5
15CQB-10	136	50	40
20CQB-15	150	55.5	45



常见故障原因及排除方法

故障现象	产生原因	解决方法
泵不出水	<ol style="list-style-type: none"> 1、水泵反转 2、进水管道漏气 3、电压太高，启动时磁钢打滑 4、吸程太高 	<ol style="list-style-type: none"> 1、改变电机接线 2、杜绝漏气 3、调正电压 4、降低泵安装位置
流量不足	<ol style="list-style-type: none"> 1、吸入管径太小 2、扬程过高 3、转速太低 	<ol style="list-style-type: none"> 1、调换进水管 2、开大出水阀 3、恢复额定转速
扬程过低	<ol style="list-style-type: none"> 1、流量过大 2、转速太低 	<ol style="list-style-type: none"> 1、关小出水阀 2、恢复额定转速
噪声太大	<ol style="list-style-type: none"> 1、轴严重磨损 2、轴承严重磨损 3、驱动磁钢杯与隔离套接触 	<ol style="list-style-type: none"> 1、更换泵轴 2、更换轴承 3、拆除泵头重新组装
漏液	O型密封圈损坏	更换O型密封圈

如需了解更多产品信息，敬请来电来函，我们可为您提供详细的技术资料并有专业的技术工程师与您沟通！



Faults and Removal Methods

Symptom	Reasons	Removal methods
No water out of pump	<ol style="list-style-type: none"> 1. The water pump reverses. 2. The inlet pipeline leaks. 3. The voltage is too high so that the starting coupling slips. 4. The suction lift is too high. 	<ol style="list-style-type: none"> 1. Change the motor's connection. 2. Stop the leak. 3. Correct the voltage. 4. Lower the pump's installing position.
Flow deficiency	<ol style="list-style-type: none"> 1. The suction pipe diameter is too small. 2. The lift head is too high. 3. The rotation speed is too low. 	<ol style="list-style-type: none"> 1. Replace the inlet pipe. 2. Increase the outlet valve's opening. 3. Restore the rated speed.
Too low lift head	<ol style="list-style-type: none"> 1. The flow is excessive. 2. The rotation speed is too low. 	<ol style="list-style-type: none"> 1. Reduce the outlet valve's opening. 2. Restore the rated speed.
Too loud noise	<ol style="list-style-type: none"> 1. The shaft is seriously worn out. 2. The bearing is seriously worn out. 3. The drive magnetic steel cup and the spacer sleeve 	<ol style="list-style-type: none"> 1. Replace the pump shaft. 2. Replace the bearing. 3. Disassemble the pump head to reassemble it.
Liquid leakage	The O-ring is damaged.	Replace the O-ring.

For more product information, please call or mail us, and we can provide detailed technical data for you and also our professional technical engineers are available to communicate with you!

浙江上武流体科技有限公司

Zhejiang Shang Wu Fluid Technology Co., Ltd.

地址：浙江省永嘉县六岙工业区

address: Six Ao Industrial Zone, Yongjia County, Zhejiang Province

电话：0577-67188823 67188835 67188873

Telephone: 0577-67188823 67188835 67188873