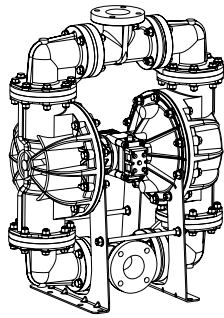
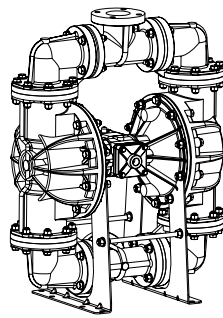


Quality System  
ISO9001 Certified

Environmental  
Management System  
ISO14001 Certified



Air Exhaust Side View



Air Inlet Side View

**S30 Non-Metallic  
Design Level 2  
Ball Valve**

**Air-Powered  
Double-Diaphragm Pump**

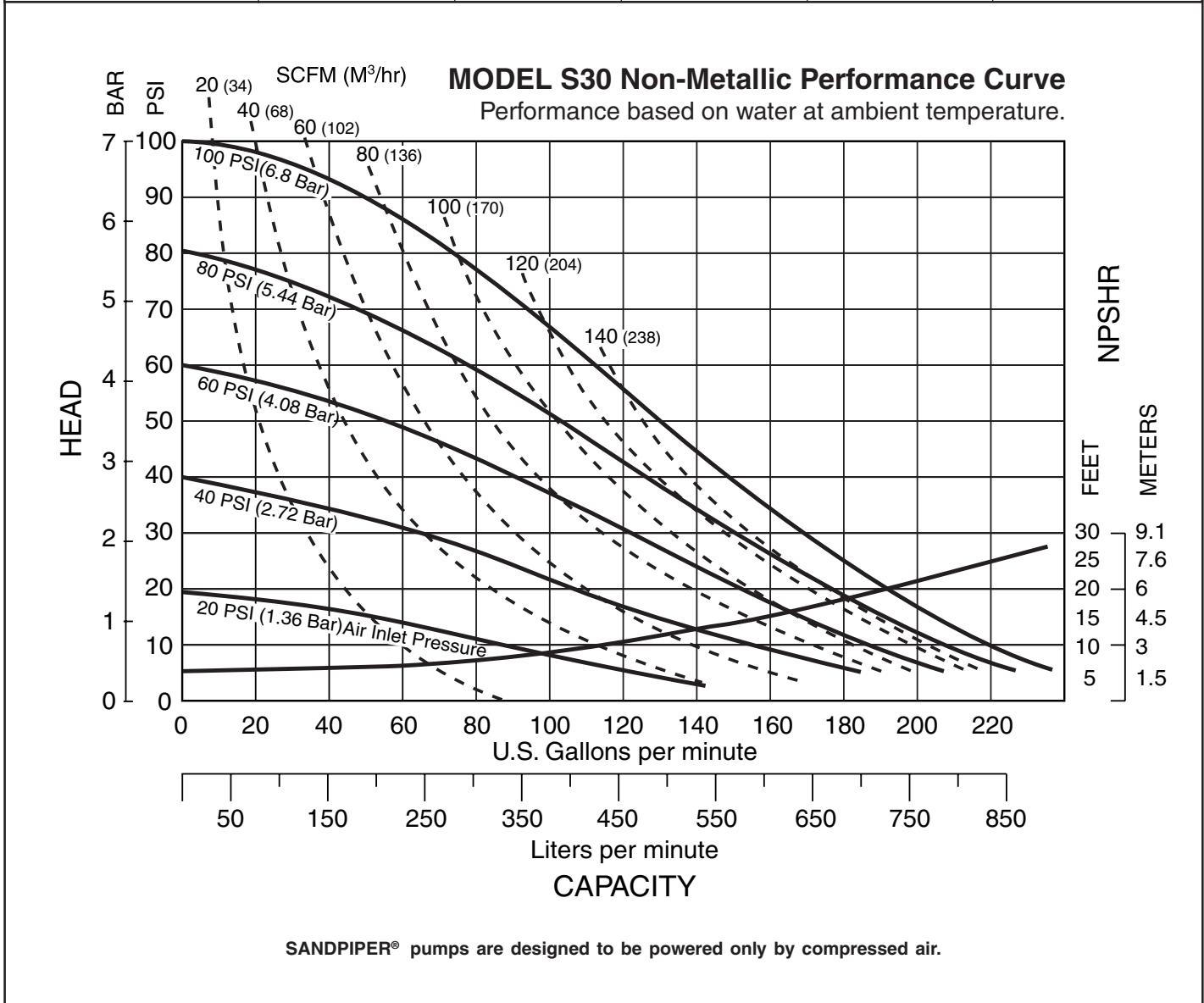
ENGINEERING, PERFORMANCE  
& CONSTRUCTION DATA



U.S. Patent #5,851,109; 5,996,627; 400,210 &  
6,241,487  
Other U.S. Patents Applied for



INTAKE/DISCHARGE PIPE SIZE	CAPACITY	AIR VALVE	SOLIDS-HANDLING	HEADS UPTO	DISPLACEMENT/STROKE
3" ANSI Flange or 80mm DIN Flange	0 to 238 gallons per minute (0 to 901 liters per minute)	No-lube, no-stall design	Up to .71 in. (18mm)	100 psi or 231 ft. of water (7 bar or 70 meters)	.9 Gallon / 3.41 liter



# Explanation of Pump Nomenclature

## S30 Non-Metallic · Design Level 2· Ball Valve

MODEL	Pump Brand	Pump Size	Check Valve Type	Design Level	Wetted Material	Diaphragm/Check Valve Materials	Check Valve Seat	Non-Wetted Material Options	Porting Options	Pump Style	Pump Options	Shipping Kit Options	Weight lbs. (kg)
S30B2P1PQAS000.	S	30	B	2	P	1	P	Q	A	S	0	00.	231 (105)
S30B2P2PQAS000.	S	30	B	2	P	2	P	Q	A	S	0	00.	231 (105)
S30B2K1KQAS000.	S	30	B	2	K	1	K	Q	A	S	0	00.	315 (143)
S30B2K2KQAS000.	S	30	B	2	K	2	K	Q	A	S	0	00.	315 (143)
S30B2P4PQAV000.	S	30	B	2	P	4	P	Q	A	V	0	00.	270 (122)
S30B2K4KQAV000.	S	30	B	2	K	4	K	Q	A	V	0	00.	354 (161)

### Pump Brand

S= SANDPIPER®

### Pump Size

30= 3"

### Check Valve Type

B= Ball

### Design Level

2= Design Level

### Wetted Material

K= PVDF

P= Polypropylene

### Diaphragm Check Ball Materials

1= Santoprene/Santoprene

2= PTFE Santoprene Backup/PTFE

3= PTFE Pumping, PTFE-Santoprene Backup Driver/PTFE

4= Santoprene Pumping, Santoprene Driver/Santoprene

### Check Valve Seat

K= PVDF

P= Polypropylene

### Non-Wetted Material

A= Painted Aluminum

J= Painted Aluminum PTFE

Q=Epoxy Coated Aluminum

R=Epoxy Coated Aluminum with

PTFE Coated Hardware

K= PTFE Coated Aluminum

L= PTFE Coated Aluminum with

PTFE Coated Hardware

### Porting Options

A= ANSI Flange

D=DIN Flange

7= Dual Porting (ANSI)

8= Top Dual Porting (ANSI)

9= Bottom Dual Porting (ANSI)

### Pump Style

D=Containment Duty with Electronic Leak Detection (110V)

E= Containment Duty with Electronic Leak Detection (220V)

M=Containment Duty with Mechanical Leak Detection

S= Standard

V= Containment Duty with Visual Leak Detection

### Pump Options

0= None

2= Mesh Muffler

3= High temperature Air Valve w/Encapsulated Muffler

4= High temperature Air Valve w/Sound Dampening Muffler

5= High temperature Air Valve w/Mesh Muffler

### Kit Options

00.= None

P0.= 0-30VDC Pulse Output Kit

P1.= Intrinsically-Safe 10-30VDC Pulse Output Kit

P2.= 110/120 or 220/240VAC Pulse Output Kit

P3.= Intrinsically-Safe 110/120VAC Pulse Output Kit

P4.= Intrinsically-Safe 220/240VAC Pulse Output Kit

SR= Stroke Indicator Pins



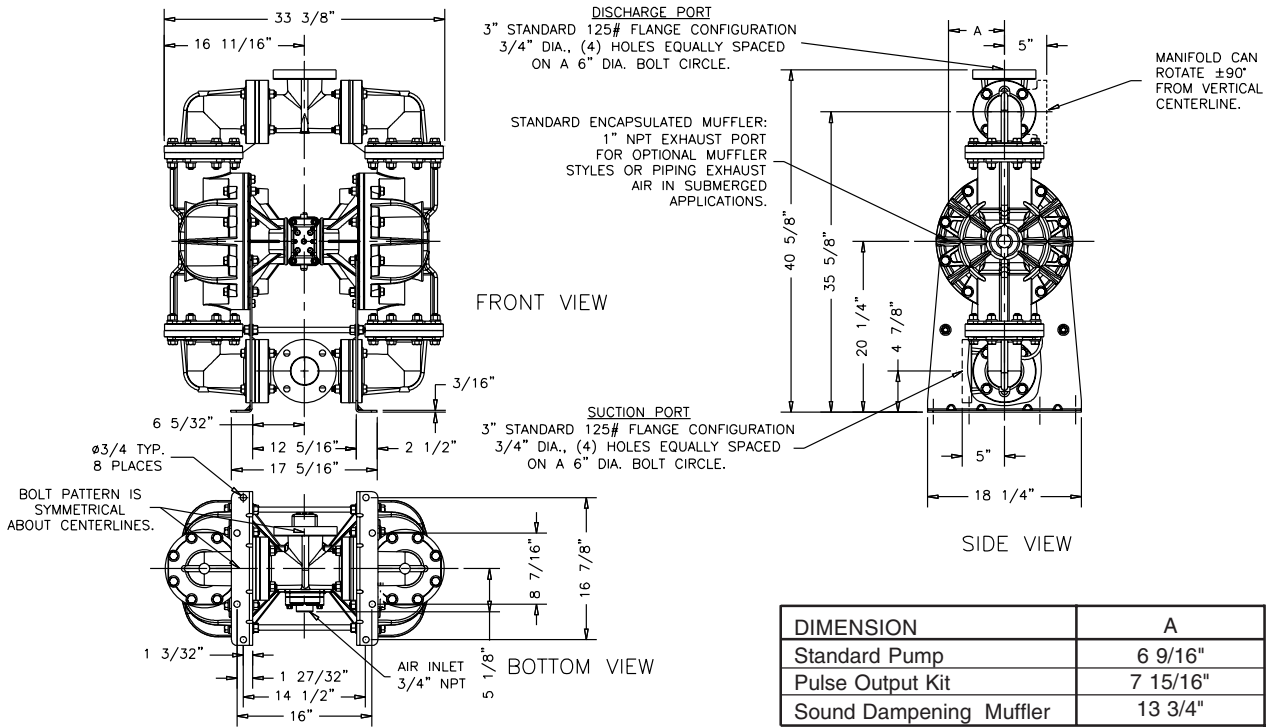
**CAUTION! Operating temperature limitations are as follows:**

Materials	Operating Temperatures	
	Maximum	Minimum
<b>Santoprene®</b> Injection molded thermoplastic elastomer with no fabric layer. Long mechanical flex life. Excellent abrasion resistance.	212°F 100°C	-10°F -23°C
<b>Virgin PTFE</b> Chemically inert, virtually impervious. Very few chemicals are known to react chemically with PTFE: molten alkali metals, turbulent liquid or gaseous fluorine and a few fluoro-chemicals such as chlorine trifluoride or oxygen difluoride which readily liberate free fluorine at elevated temperatures.	212°F 100°C	-35°F -37°C
<b>Polypropylene</b>	150°F 65°C	-40°F 5°C
<b>PVDF</b>	200°F 93°C	10°F -13°C

For specific applications, always consult the Warren Rupp "Chemical Resistance Chart"

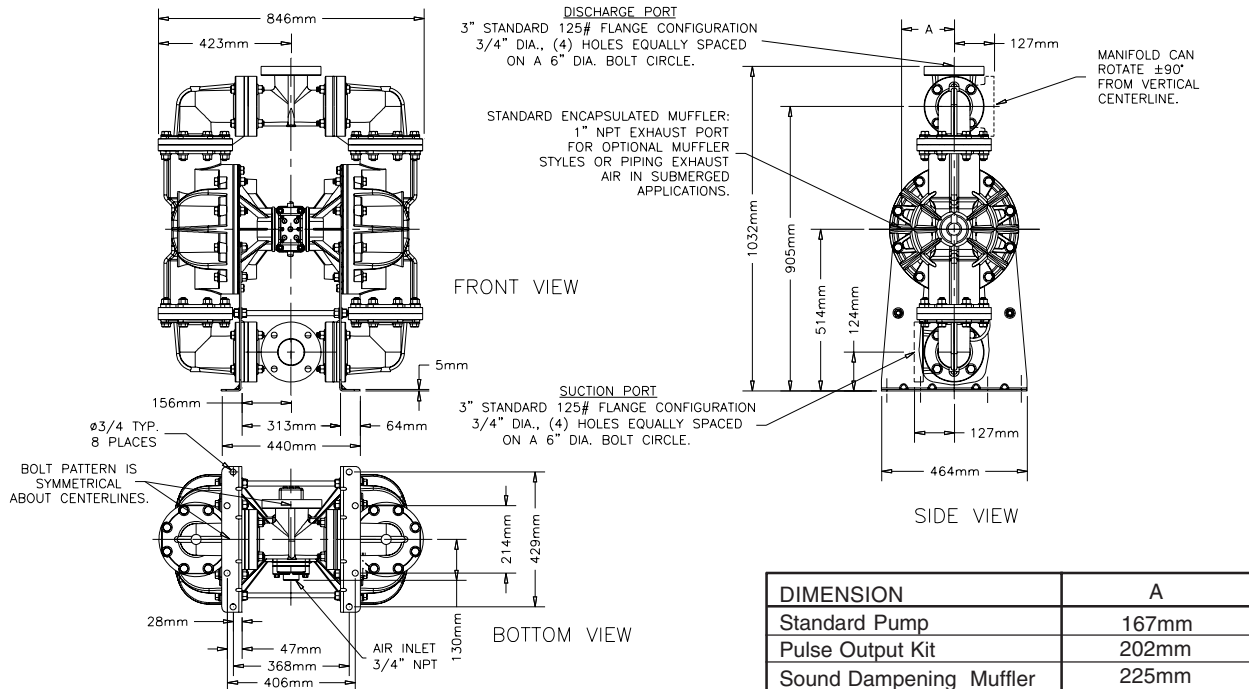
# Dimensions: S30 Non-Metallic

Dimensions in Inches  
Dimensional Tolerance:  $\pm 1/8"$



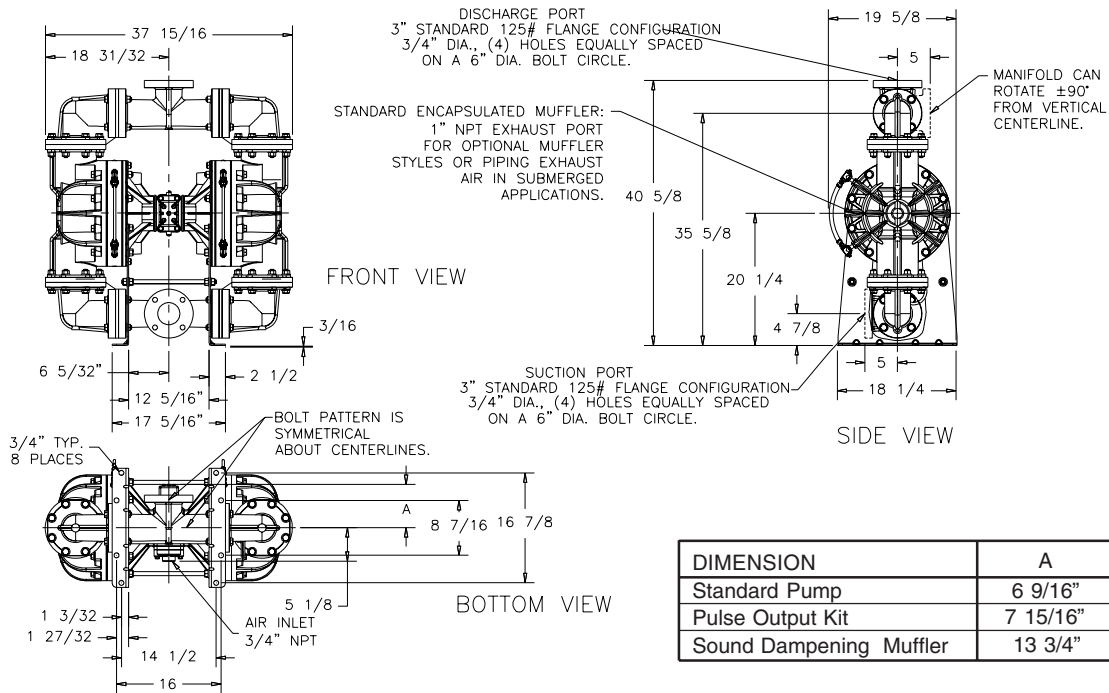
**Note:** Porting Flanges are also available with PN10 80mm DIN bolting configuration.

Dimensions in Millimeters  
Dimensional Tolerance:  $\pm 3$ mm



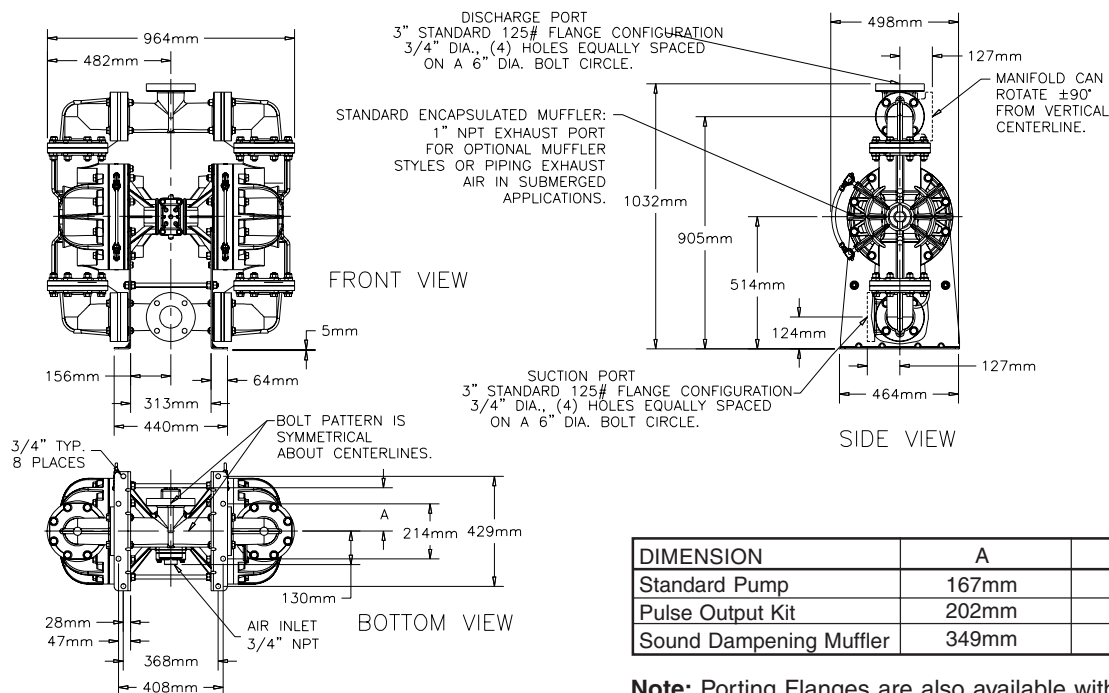
# Dimensions: S30 Non-Metallic with Containment Duty

Dimensions in Inches  
Dimensional Tolerance:  $\pm 1/8$ "



**Note:** Porting Flanges are also available with PN10 80mm DIN bolting configuration.

Dimensions in Millimeters  
Dimensional Tolerance:  $\pm 3$ mm



**Note:** Porting Flanges are also available with PN10 80mm DIN bolting configuration.