

# XQJ 阻燃玻璃钢电缆桥架

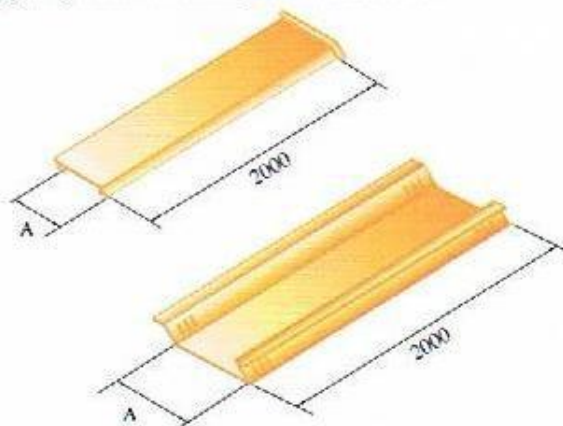
## XQJ Fire Retarding FRP Support

阻燃玻璃钢电缆桥架是我厂在钢制电缆桥架等生产的基础上,研制的一种新型产品,它具有强度高、绝缘性能好、耐化学腐蚀、耐火阻燃性能和足够的机械强度,广泛适用于石油、化工、冶金、电力等行业。

Flame-retardant fibreglass reinforced plastic cable support system is a new-type-product developed by this factory on the basis of steel cable support systems. It is featured by high strength, fine insulation property, resistance to chemical corrosion, flame resistance and sufficient mechanical strength. It is broadly used in petroleum, chemical, metallurgical and power industries.

### XQJ-ZBQ-C-01A<sub>1</sub> 阻燃槽式直通

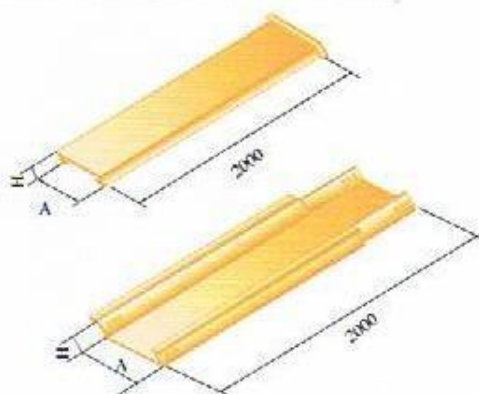
XQJ-ZBQ-C-01A<sub>1</sub> Fire retarding channel straight piece



序号 No.	型号 Model	规格 A × B Size	厚度 mm Thickness
1	ZBQ-C-01A <sub>1</sub>	50 × 25	2
2	ZBQ-C-01A <sub>1</sub>	100 × 50	2.5
3	ZBQ-C-01A <sub>1</sub>	150 × 75	3
4	ZBQ-C-01A <sub>1</sub>	200 × 100	3
5	ZBQ-C-01A <sub>1</sub>	250 × 125	3.5
6	ZBQ-C-01A <sub>1</sub>	300 × 150	3.5
7	ZBQ-C-01A <sub>1</sub>	400 × 200	4.5
8	ZBQ-C-01A <sub>1</sub>	500 × 200	5.5
9	ZBQ-C-01A <sub>1</sub>	600 × 200	6.5
10	ZBQ-C-01A <sub>1</sub>	800 × 200	7.5

### XQJ-ZBQ-C-01A<sub>2</sub> 阻燃槽式直通

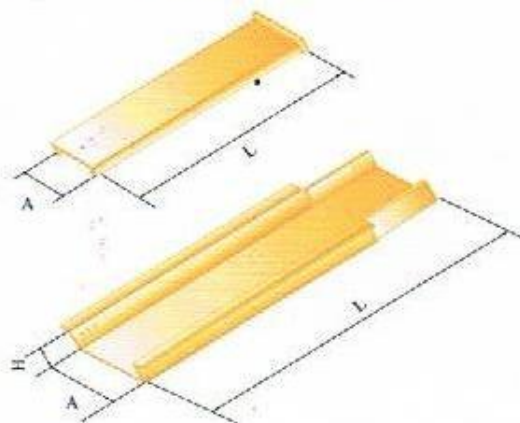
XQJ-ZBQ-C-01A<sub>2</sub> Fire retarding channel straight piece



序号 No.	型号 Model	规格 A × B Size	厚度 mm Thickness
1	ZBQ-C-01A <sub>2</sub>	50 × 25	2
2	ZBQ-C-01A <sub>2</sub>	100 × 50	2.5
3	ZBQ-C-01A <sub>2</sub>	150 × 75	3
4	ZBQ-C-01A <sub>2</sub>	200 × 100	3
5	ZBQ-C-01A <sub>2</sub>	250 × 125	3.5
6	ZBQ-C-01A <sub>2</sub>	300 × 150	3.5
7	ZBQ-C-01A <sub>2</sub>	400 × 200	4.5
8	ZBQ-C-01A <sub>2</sub>	500 × 200	5.5
9	ZBQ-C-01A <sub>2</sub>	600 × 200	6.5
10	ZBQ-C-01A <sub>2</sub>	800 × 200	7.5

### XQJ-ZBQ-C-01B 阻燃槽式直通短节

XQJ-ZBQ-C-01B Fire retarding channel straight short piece



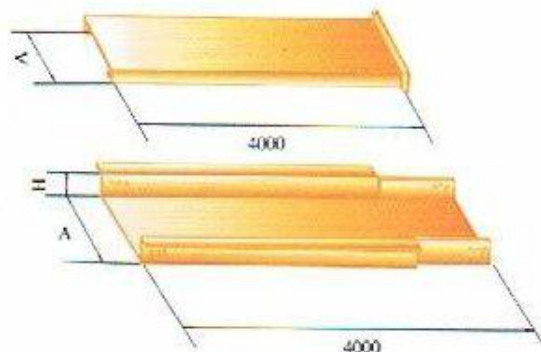
序号 No.	型号 Model	规格 A × B Size A × B	厚度 mm Thickness	备注 Remarks
1	ZBQ-C-01B	50 × 25	2	L 的长度有 500、1000、 1500 三种请按 您设计图纸按 需订货 Three sizes are available for L: 500, 1000 and 1500. Please order according to your design drawings.
2	ZBQ-C-01B	100 × 50	2.5	
3	ZBQ-C-01B	150 × 75	3	
4	ZBQ-C-01B	200 × 100	3	
5	ZBQ-C-01B	250 × 125	3.5	
6	ZBQ-C-01B	300 × 150	3.5	
7	ZBQ-C-01B	400 × 200	4.5	
8	ZBQ-C-01B	500 × 200	5.5	
9	ZBQ-C-01B	600 × 200	6.5	
10	ZBQ-C-01B	800 × 200	7.5	

阻燃玻璃钢桥架  
Fire Retarding FRP Support

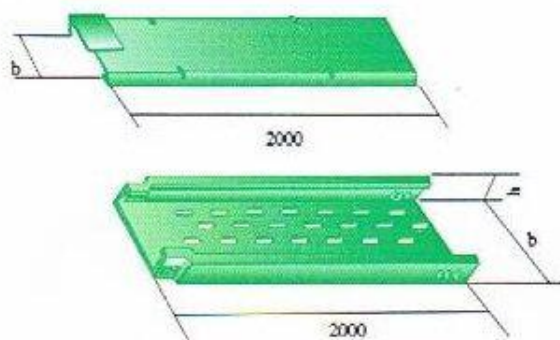
# XQJ 阻燃玻璃钢电缆桥架

## XQJ Fire Retarding FRP Support

XQJ-ZBQ-01A: 阻燃槽式大跨距桥架  
XQJ-ZBQ-01A: Fire retarding large span support



XQJ-ZBQ-P 阻燃托盘式桥架  
XQJ-ZBQ-P Fire retarding tray type support



- (1) This type of support is provided with cover please indicate in order when required  
(2) The bend for straight tray support is the same as for channel type

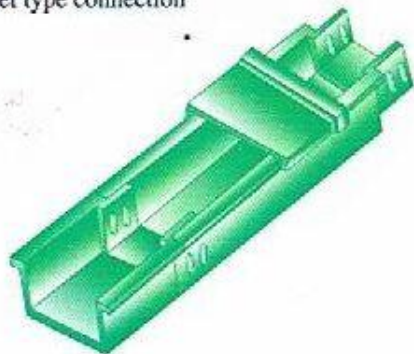
序号 No.	型号 Model	规格 Size	序号 No.	型号 Model	规格 Size
1	ZBQ-DC-01A:	50 × 25	1	ZBQ-DC-01A:	50 × 25
2	ZBQ-DC-01A:	100 × 50	2	ZBQ-DC-01A:	100 × 50
3	ZBQ-DC-01A:	150 × 75	3	ZBQ-DC-01A:	150 × 75
4	ZBQ-DC-01A:	200 × 100	4	ZBQ-DC-01A:	200 × 100
5	ZBQ-DC-01A:	250 × 125	5	ZBQ-DC-01A:	250 × 125
6	ZBQ-DC-01A:	300 × 150	6	ZBQ-DC-01A:	300 × 150
7	ZBQ-DC-01A:	400 × 200	7	ZBQ-DC-01A:	400 × 200
8	ZBQ-DC-01A:	500 × 200	8	ZBQ-DC-01A:	500 × 200
9	ZBQ-DC-01A:	600 × 200	9	ZBQ-DC-01A:	600 × 200
10	ZBQ-DC-01A:	800 × 200	10	ZBQ-DC-01A:	800 × 200

序号 No.	型号 Model	b mm	h mm	备注 Remarks
1	ZBQ-P-01-6-2	200	60	高度 h 为 60 时, 100 时, 两端各 6 只连接孔。 高度 h 为 150 时两端各 12 只连接孔。  There are 6 connection holes at each end for height h=60 and h=100 There are 12 connection holes at each end for height h=150
2	ZBQ-P-01-10-2		100	
3	ZBQ-P-01-15-2		150	
4	ZBQ-P-01-6-3	300	60	
5	ZBQ-P-01-10-3		100	
6	ZBQ-P-01-15-3		150	
7	ZBQ-P-01-6-4	400	60	
8	ZBQ-P-01-10-4		100	
9	ZBQ-P-01-15-4		150	
10	ZBQ-P-01-6-5	500	60	
11	ZBQ-P-01-10-5		100	
12	ZBQ-P-01-15-5		150	
13	ZBQ-P-01-6-6	600	60	
14	ZBQ-P-01-10-6		100	
15	ZBQ-P-01-15-6		150	

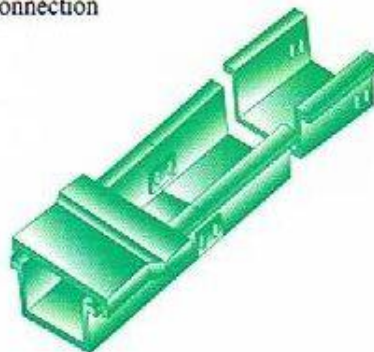
### 阻燃桥架连接方式

Connection of fire retarding supports

插接式  
Socket type connection



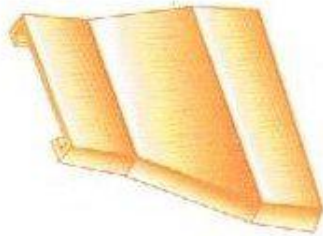
直接式  
Direct connection



# XQJ 阻燃玻璃钢电缆桥架

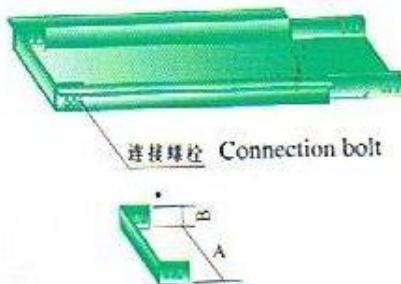
## XQJ Fire Retarding FRP Support

XQJ-ZBQ-C-06C 阻燃槽式异径接头  
XQJ ZBQ C-06C Fire retarding reducer connector



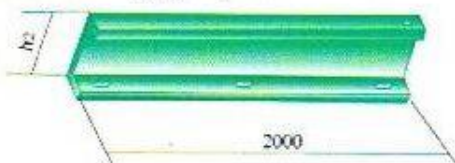
序号 No.	型号 Model	规格 A1 × A2-A2 × A2 Size	长度 L Length
1	ZBQ-C-06C-1	50 × 25-100 × 50	200
2	ZBQ-C-06C-2	50 × 25-150 × 75	250
3	ZBQ-C-06C-3	50 × 25-200 × 100	300
4	ZBQ-C-06C-4	50 × 25-250 × 125	350
5	ZBQ-C-06C-5	50 × 25-300 × 150	500
6	ZBQ-C-06C-6	50 × 25-400 × 200	600
7	ZBQ-C-06C-7	50 × 25-500 × 200	700
8	ZBQ-C-06C-8	50 × 25-600 × 200	800
9	ZBQ-C-06C-9	50 × 25-800 × 200	1000
10	ZBQ-C-06C-10	100 × 50-150 × 75	250
11	ZBQ-C-06C-11	100 × 50-200 × 100	300
12	ZBQ-C-06C-12	100 × 50-250 × 125	350
13	ZBQ-C-06C-13	100 × 50-300 × 150	500
14	ZBQ-C-06C-14	100 × 50-400 × 200	600
15	ZBQ-C-06C-15	100 × 50-500 × 200	700
16	ZBQ-C-06C-16	100 × 50-600 × 200	800
17	ZBQ-C-06C-17	100 × 50-800 × 200	1000
18	ZBQ-C-06C-18	150 × 75-200 × 100	250
19	ZBQ-C-06C-19	150 × 75-250 × 125	300
20	ZBQ-C-06C-20	150 × 75-300 × 150	450
21	ZBQ-C-06C-21	150 × 75-400 × 200	550
22	ZBQ-C-06C-22	150 × 75-500 × 200	650
23	ZBQ-C-06C-23	150 × 75-600 × 200	750
24	ZBQ-C-06C-24	150 × 75-800 × 200	900
25	ZBQ-C-06C-25	200 × 100-250 × 125	250
26	ZBQ-C-06C-26	200 × 100-300 × 150	400
27	ZBQ-C-06C-27	200 × 100-400 × 200	500
28	ZBQ-C-06C-28	200 × 100-500 × 200	600
29	ZBQ-C-06C-29	200 × 100-600 × 200	700
30	ZBQ-C-06C-30	200 × 100-800 × 200	900
31	ZBQ-C-06C-31	250 × 125-300 × 150	350
32	ZBQ-C-06C-32	250 × 125-400 × 200	450
33	ZBQ-C-06C-33	250 × 125-500 × 200	550
34	ZBQ-C-06C-34	250 × 125-600 × 200	650
35	ZBQ-C-06C-35	250 × 125-800 × 200	850
36	ZBQ-C-06C-36	300 × 150-400 × 200	500
37	ZBQ-C-06C-37	300 × 150-500 × 200	600
38	ZBQ-C-06C-38	300 × 150-600 × 200	700
39	ZBQ-C-06C-39	300 × 150-800 × 200	900
40	ZBQ-C-06C-40	400 × 200-500 × 200	500
41	ZBQ-C-06C-41	400 × 200-600 × 200	600
42	ZBQ-C-06C-42	400 × 200-800 × 200	800
43	ZBQ-C-06C-43	500 × 200-600 × 200	500
44	ZBQ-C-06C-44	500 × 200-800 × 200	600
45	ZBQ-C-06C-45	600 × 300-800 × 200	700

XQJ-ZBQ-C-01C 封头  
XQJ ZBQ C-01C Head



序号 No.	型号 Model	规格 Size	
		A × B	A <sub>1</sub> × B <sub>1</sub>
1	ZBQ-C-01C-1	50 × 25	43 × 20
2	ZBQ-C-01C-2	100 × 50	86 × 44
3	ZBQ-C-01C-3	150 × 75	137 × 68
4	ZBQ-C-01C-4	200 × 100	184 × 90
5	ZBQ-C-01C-5	250 × 125	236 × 114
6	ZBQ-C-01C-6	300 × 150	286 × 140
7	ZBQ-C-01C-7	400 × 200	386 × 186
8	ZBQ-C-01C-8	500 × 200	484 × 186
9	ZBQ-C-01C-9	600 × 200	584 × 184
10	ZBQ-C-01C-10	800 × 200	782 × 184

XQJ-ZBQ-C-07 阻燃桥架隔板  
XQJ ZBQ C-07 Fire retarding support partition



序号 No.	型号 Model	配置高度 Matching height	h: mm
1	ZBQ-C-07-50	50	40
2	ZBQ-C-07-75	75	65
3	ZBQ-C-07-100	100	90
4	ZBQ-C-07-125	125	115
5	ZBQ-C-07-150	150	140
6	ZBQ-C-07-200	200	190

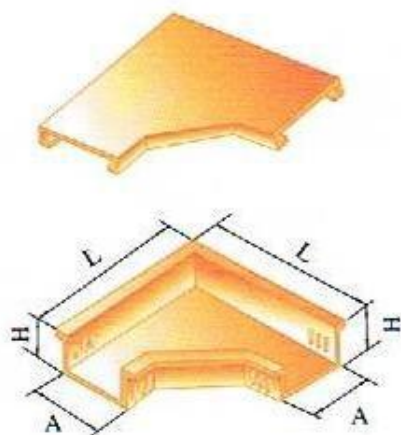
阻燃玻璃钢桥架

# XQJ 阻燃玻璃钢电缆桥架

## XQJ Fire Retarding FRP Support

### XQJ-ZBQ-C-02A 阻燃槽式水平弯通

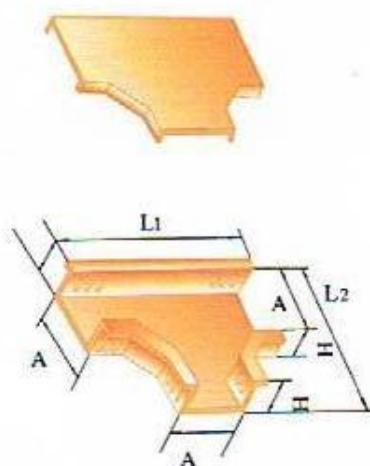
XQJ-ZBQ C-02A Fire retarding channel type horizontal bend



序号 No.	型号 Model	规格 A × B Size	长度 L Length	厚度 mm Thickness
1	C-02A-1	50 × 25	200	2
2	C-02A-2	100 × 50	250	2.5
3	C-02A-3	150 × 75	325	3.5
4	C-02A-4	200 × 100	400	3.5
5	C-02A-5	250 × 125	475	3.5
6	C-02A-6	300 × 150	550	4.5
7	C-02A-7	400 × 200	700	4.5
8	C-02A-8	500 × 200	800	5.5
9	C-02A-9	600 × 200	900	6.5
10	C-02A-10	800 × 200	1100	7.5

### XQJ-ZBQ-C-03A 阻燃槽式水平三通

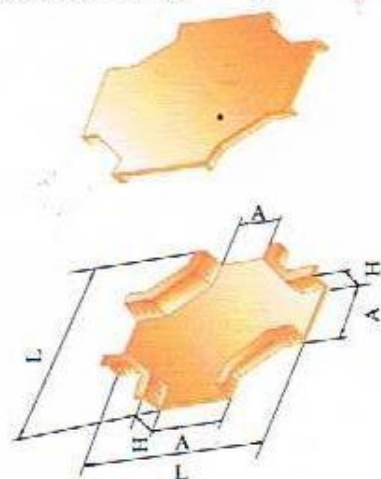
XQJ-ZBQ-C-03A Fire retarding channel type horizontal bend



序号 No.	型号 Model	规格 A × B Size	长度 Length	
			L1	L2
1	C-03A-1	50 × 25	350	200
2	C-03A-2	100 × 50	400	250
3	C-03A-3	150 × 75	500	325
4	C-03A-4	200 × 100	600	400
5	C-03A-5	250 × 125	700	475
6	C-03A-6	300 × 150	800	550
7	C-03A-7	400 × 200	1000	700
8	C-03A-8	500 × 200	1100	800
9	C-03A-9	600 × 200	1200	900
10	C-03A-10	800 × 200	1400	1000

### XQJ-ZBQ-C-04A 阻燃槽式水平四通

XQJ-ZBQ-C-04A Fire retarding channel type horizontal Cross

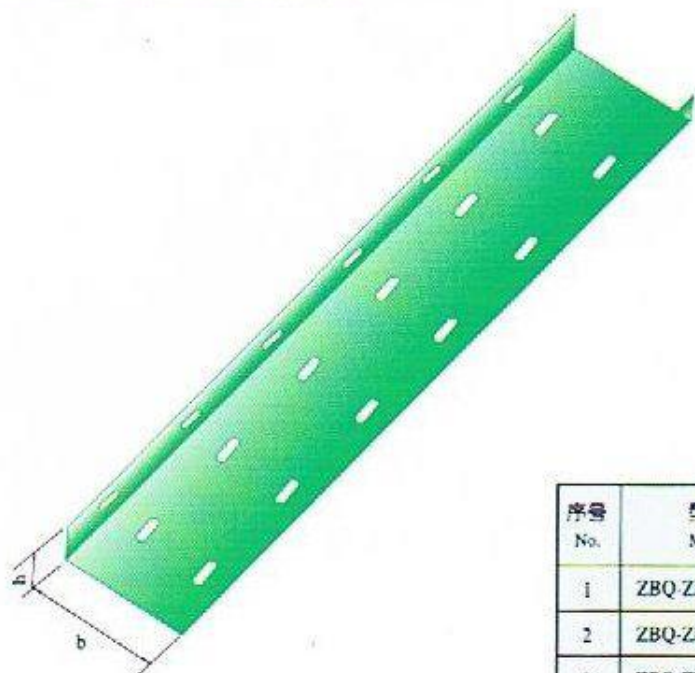


序号 No.	型号 Model	规格 A × B Size	长度 L(mm) Length
1	C-04A-1	50 × 25	350
2	C-04A-2	100 × 50	400
3	C-04A-3	150 × 75	500
4	C-04A-4	200 × 100	600
5	C-04A-5	250 × 125	700
6	C-04A-6	300 × 150	800
7	C-04A-7	400 × 200	1000
8	C-04A-8	500 × 200	1100
9	C-04A-9	600 × 200	1200
10	C-04A-10	800 × 200	1400

# XQJ 阻燃玻璃钢电缆桥架

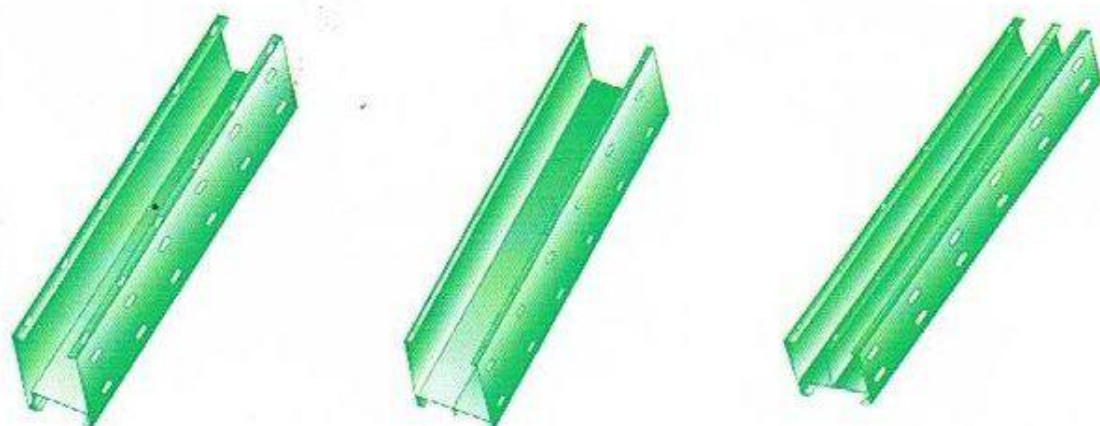
## XQJ Fire Retarding FRP Support

XQJ-ZBQ-2A-01A 组合式阻燃玻璃钢桥架  
 XQJ-ZBQ-2A-01A Combined fire retarding FRP piece



序号 No.	型号 Model	规格 b × h Size	备注 Remarks
1	ZBQ-ZH-01A-100	100 × 25	
2	ZBQ-ZH-01A-150	150 × 25	
3	ZBQ-ZH-01A-200	200 × 25	

组合式阻燃玻璃钢桥架 XQJ-ZBQ-2A-01A 组装形式  
 Assembling form of XQJ-ZBQ-2A-01A combined fire retarding FRP piece



# XQJ 阻燃玻璃钢电缆桥架

## XQJ Fire Retarding FRP Support

### 主要技术指标 Main Technical Data

#### 1. 阻燃性能指标

序号	名称	指标	试验方法
1	氧指数	> 31	GB2406-80
2	水平燃烧	1级	GB2408-80
3	垂直燃烧	FY-0级	GB4608-84
4	斜面燃烧	1级	TISA1322-66/1

#### 2. 基本物理性能

序号	名称	指标	试验方法
1	抗压强度	> 350kg/cm	GB1448-83
2	抗压强度	> 1000kg/cm <sup>2</sup>	GB1447-83
3	抗弯曲强度		GB1449-83
4	抗冲击强度	> 80kgem/cm <sup>2</sup>	GB1451-83
5	线膨胀系数	2.5 × 10 <sup>-5</sup> 1/°C	GB2572-81
6	导热系数	0.36W/(m·k)	GB3133-82

3. 密度: 1650~1750 公斤米<sup>3</sup>
4. 防火性能: 经 800°C 火源作用 15 分钟
5. 槽盒负载能力: 均布载荷 80kg/m, 集中载荷 180kg/m.
6. 外观光滑、平整、无龟裂。
7. 槽盒屏蔽性能:
8. 使用环境: -40~80°C
9. 温度接地: 槽体内有角钢内敷, 节与节之间用引线相联。

#### 1. Flame-Retardant Property Data

S.N	Description	Data	Test Method
1	Oxygen Index	> 31	GB2406-80
2	Horizontal Combustion	1st Class	GB2408-80
3	Vertical Combustion	Class FY-0	GB4608-84
4	Slope Combustion	1st Class	TISA1322-66/1

#### 2. Basic Physical Properties

S.N	Description	Data	Test Method
1	Compression Strength	> 350kg/cm	GB1448-83
2	Compression Strength	> 1000kg/cm <sup>2</sup>	GB1447-83
3	Bending-Strength		GB1449-83
4	Resistance to Impact	> 80kgem/cm <sup>2</sup>	GB1451-83
5	Linear Expansion Coefficient	2.5 × 10 <sup>-5</sup> 1/°C	GB2572-81
6	Thermal Conductivity	0.36W/(m·k)	GB3133-82

3. Density: 1650-1750 kgm<sup>3</sup>
4. Fire-inhibiting property: 15 minutes under effect of fire at 800 °C
5. Channel loading capacity: 80kg/m for evenly-distributed load, 180kg/m for concentrated load
6. Appearance: Smooth, level without cracks.
7. Channel shielding property:
8. Ambient temperature for application: -40~80°C
9. Temperature earthing: The channel is lined with angle steel and sections are connected with leads.