



DHB系列排式无缝安全滑触线 DHB Safe & Flexible Power Rail

一、产品特点 characteristics

- 安全、稳定、无接口（除供电点外）；
safe, stable, no joint (except for line feed)
- 体积小、安装方便、经济；
small size, easy to install, economical
- 铜与塑料密合接触，不因振动而接触不良，安全稳定；
Good insulated and impact fixed with PVC housing
- 绝缘体为氯乙烯+耐冲击，抗紫外线、体积小安装方便、经济，特殊配方，物理性佳；
PVC housing, impact resistance, Ultraviolet resistant,
- 特点适用于各种弯道类电动葫芦；
Suitable for curve rail electric hoist.
- 在供电距离短，工作频率低、环境较好时采用本THDW系列产品。
Used in low frequency operation, and good working condition.



二、使用环境 application

本系列滑触线适用于机械厂、小型钢结构厂、开发区厂房、转运站及各类检修电动葫芦等环境温度低于55℃的场所。

The DHB flexible insulated conductor rail is suitable for machinery works, small size steel factory and low power hoisting equipments (ambient temperature is < 55 °C)

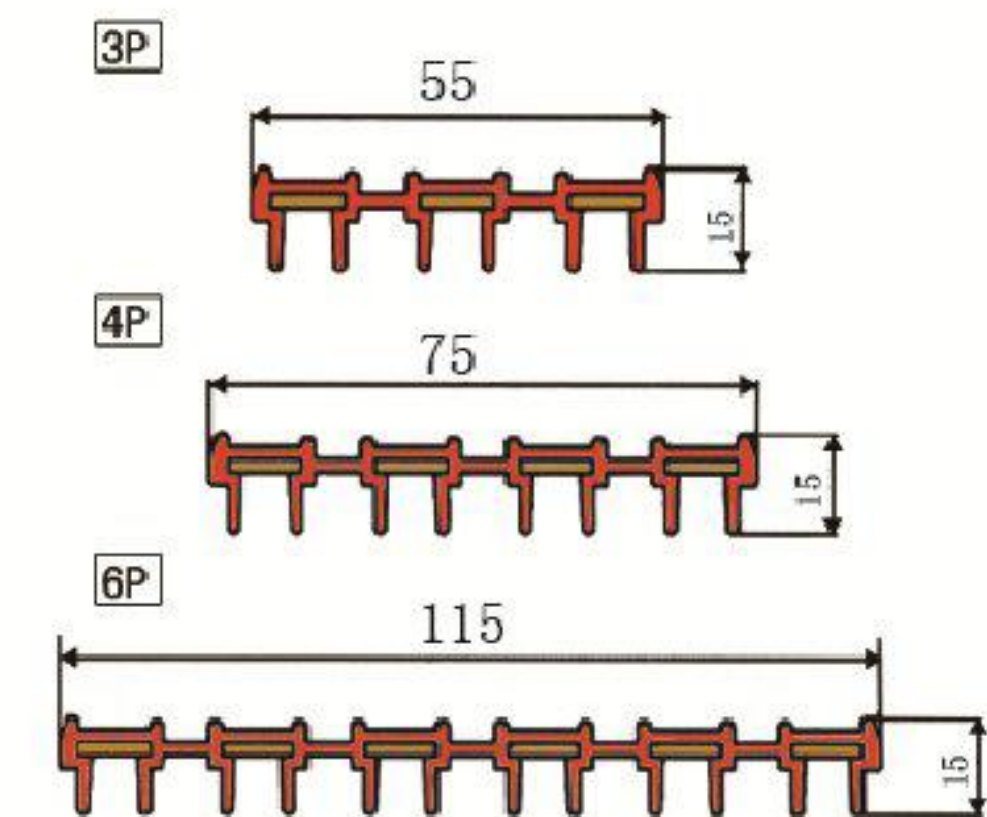
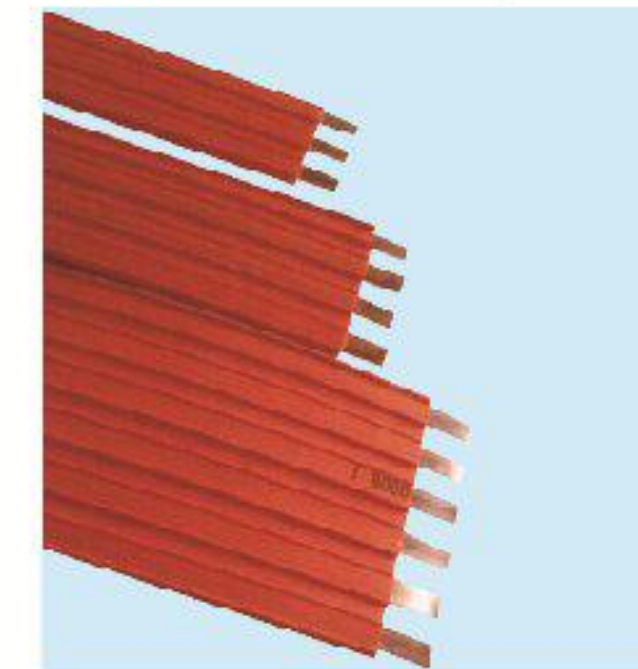
三、产品规格及技术参数 technical parameter

表1

型号Model	截面积Sectional area mm ²	代码product cat	规格specification
DHB3-10/50	10mm ²	68HB55310	3P
DHB4-10/50		68HB75410	4P
DHB6-10/50		68HB115610	6P
DHB3-16/80	16mm ²	68HB55316	3P
DHB4-16/80		68HB75416	4P
DHB6-16/80		68HB115616	6P
DHB3-25/120	25mm ²	68HB55325	3P
DHB4-25/120		68HB75425	4P
DHB6-25/120		68HB115625	6P
DHB3-35/140	35mm ²	68HB55335	3P
DHB4-35/140		68HB75435	4P
DHB6-35/140		68HB115635	6P

四、无缝滑触线（安全电轨） Insulated Conductor Rails

电导体材料：铜
绝缘材料：PVC（耐热性：70℃）
Conductor material: copper
Insulation material: PVC (Max. temperature: 70°C)



五、末端电源拉紧器 End Feed & End Tension & Power In

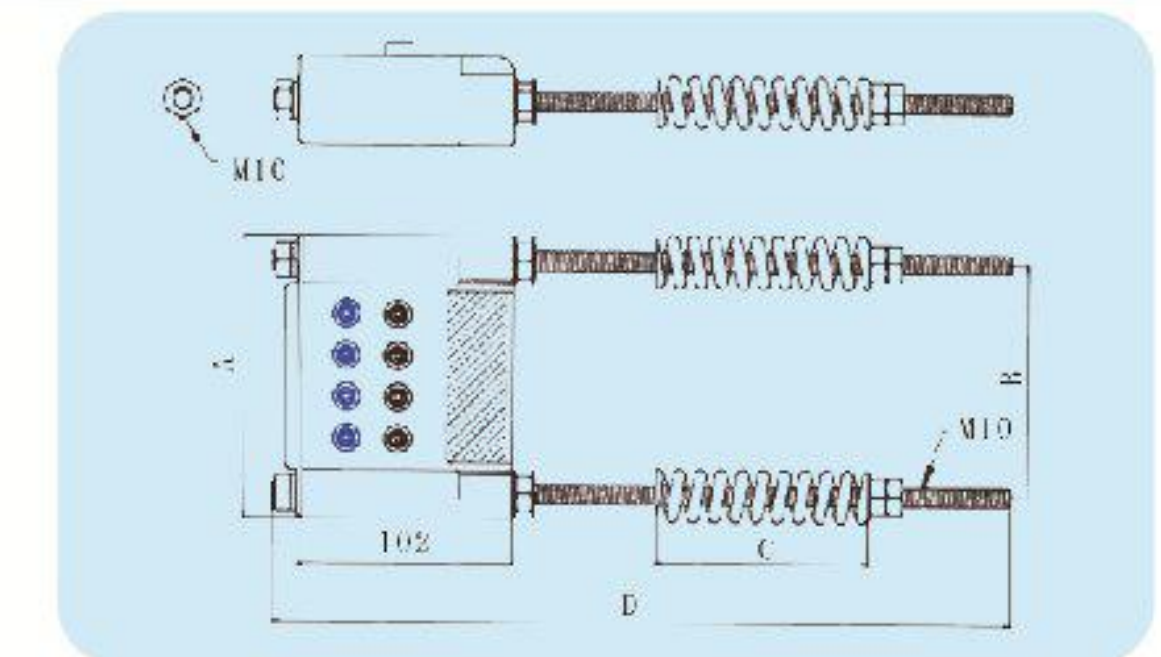
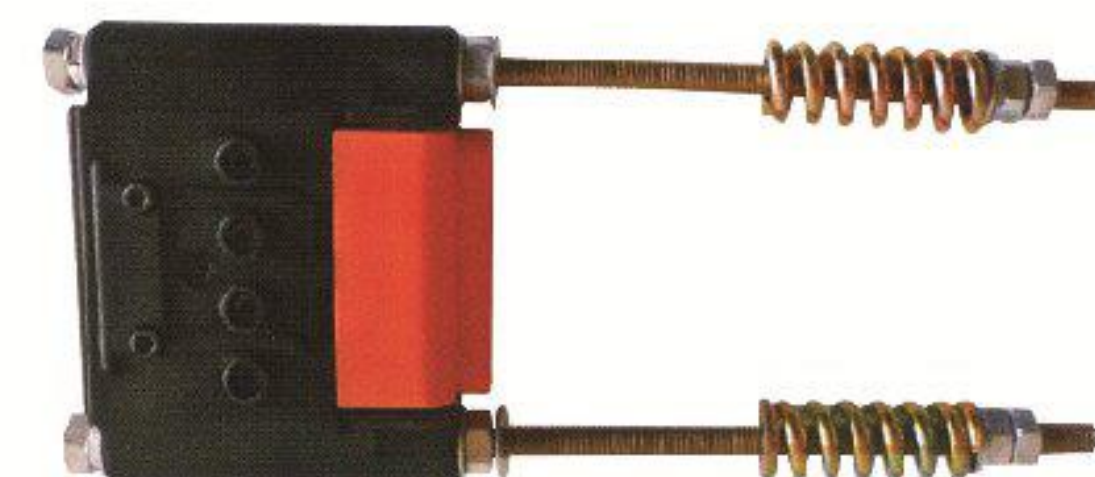


表2

型号model	代码product cat	规格specification	重量weight (kg/pc)	A	B	C	D
DMG3	68HB55MG	3P	1.38/支	115	87	60	300
DMG4	68HB75MG	4P	1.53/支	133	109	100	400
DMG6	68HB115MG	6P	1.68/支	180	153	60	300

六、电轨夹 Hanger Clamp

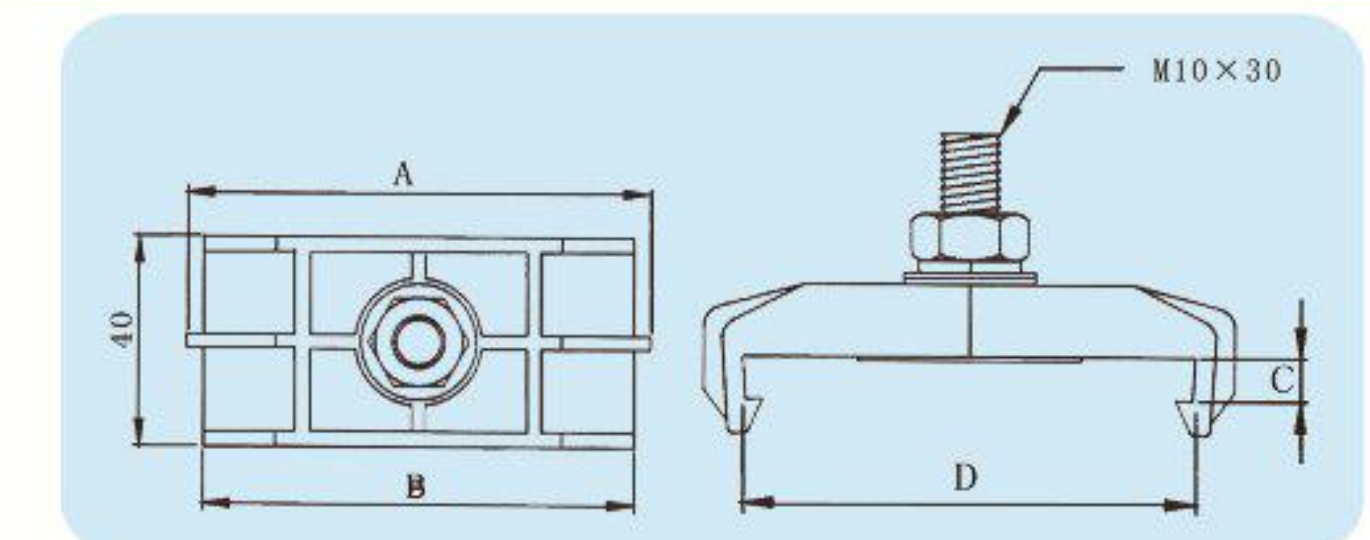
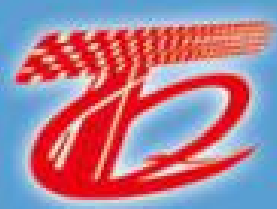


表3

型号model	代码product cat	规格specification	重量weight (kg/pc)	A	B	C	D
DDJ3	68HB55D	3P	0.071/只	69	63	8.2	55
DDJ4	68HB75DJ	4P	0.075/只	88	82	8.2	75
DDJ6	68HB115DJ	6P	0.088/只	129	126	8.3	116

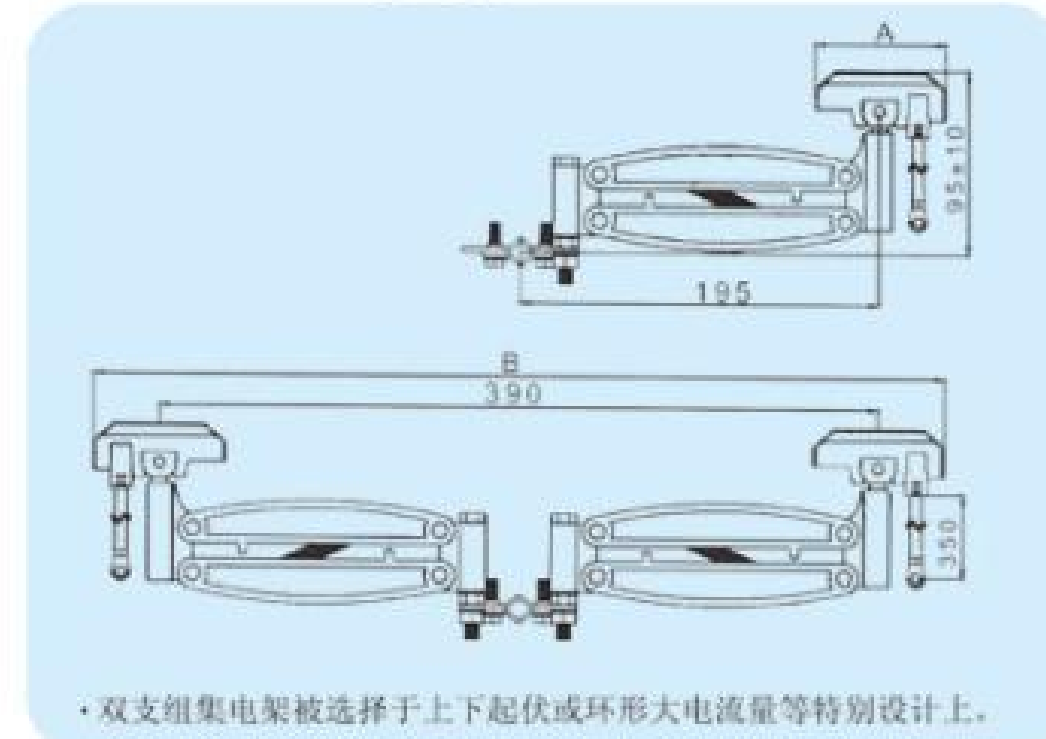


七、双臂集电架 Current Collector

集电器结构示意图
Current collector structure

表4

规格model	代码product cat	尺寸size (mm)			使用范围 application
		A	B	C	
DJD3-30	68HB55JD30	243	165	71	3-20/80A
DJD3-60	68HB55JD60	248	165	87	3-20/80A
DJD3-100	68HB55JD10	165	167	114	3-20/80A
DJD4-30	68HB75JD30	243	165	71	4-20/80A
DJD4-60	68HB75JD60	248	165	87	4-20/80A
DJD4-100	68HB75JD100	165	167	114	4-20/80A
DJD6-30	68HB115JD30	243	165	71	6-20/80A
DJD6-60	68HB115JD60	248	165	87	6-20/80A
DJD6-100	68HB115JD100	165	167	114	6-20/80A



· 双支组集电架被选择于上下起伏或环形大电流等特别设计上。

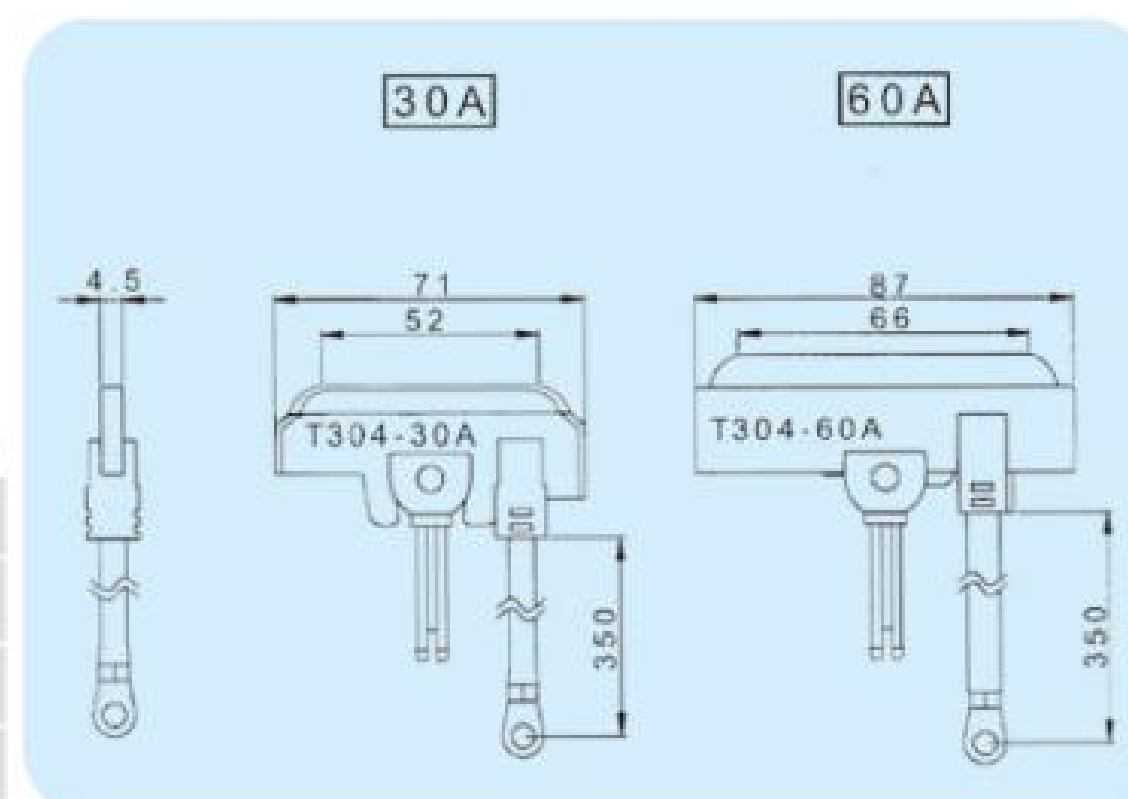
八、集电刷片 Collector

集电刷片在双臂集电架上为消耗品，集电刷片磨损时只需换上新的集电刷片即可。
The collector (carbon brush is expendable. Change it when the wear life is achieved.



表5

型号model	代码product Cat	规格specification	重量weight (kg)
DJD30	68HBJD30	30Amp	0.065
DJD60	68HBJD60	60Amp	0.095
DJD100	68HBJD100	100Amp	0.102



九、中间电源供电器 Middle Power Feeding

中间电源供应器用于厂房和移动设备扩场处长连接时及绝缘安全电轨安装百米以上以致电压降使用。
Line feed Fixed in conductor rail with length over 100 meters or for extended conductor rail.

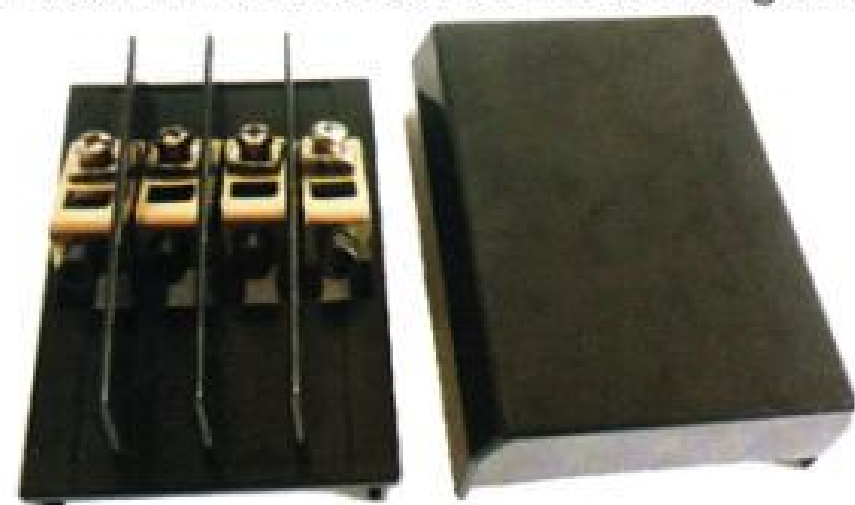
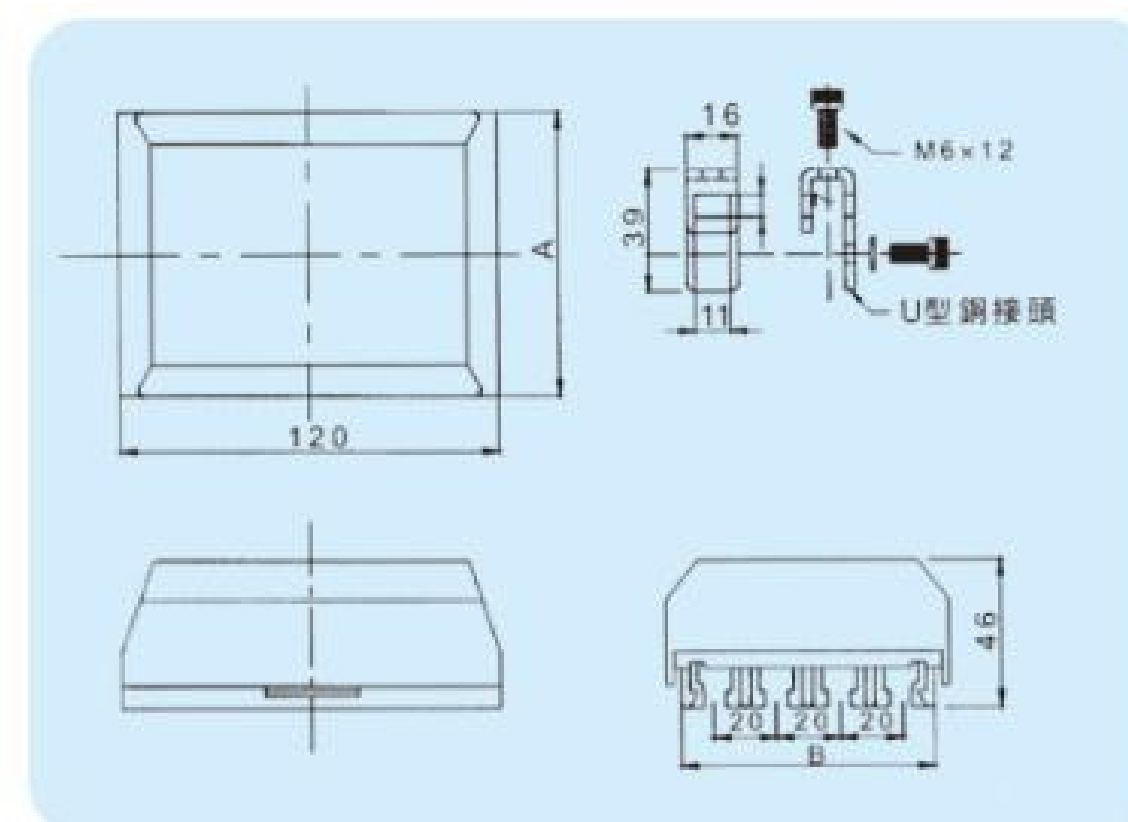


表6

型号Model	代码product cat	规格specification	重量 (kg)	A	B
DZG3	68HB55ZG	3P	0.22	70	61
DZG4	68HB75ZG	4P	0.31	90	81
DZG6	68HB115ZG	6P	0.42	110	100

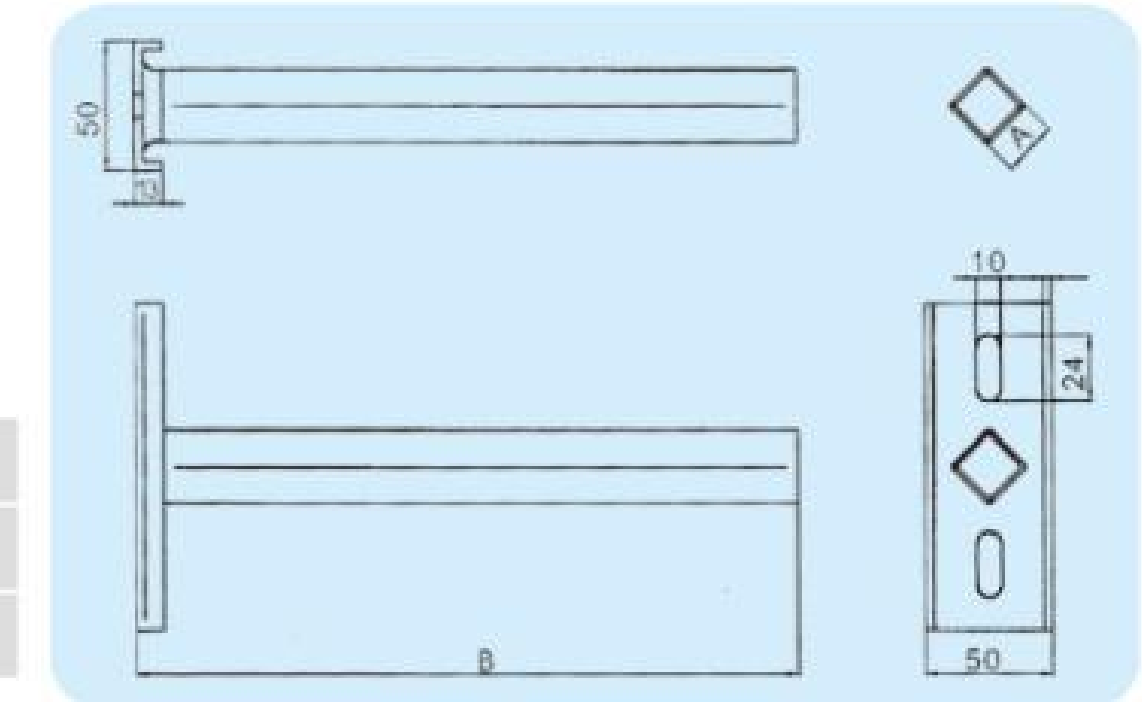


十、固定棒 Flix Square Bar

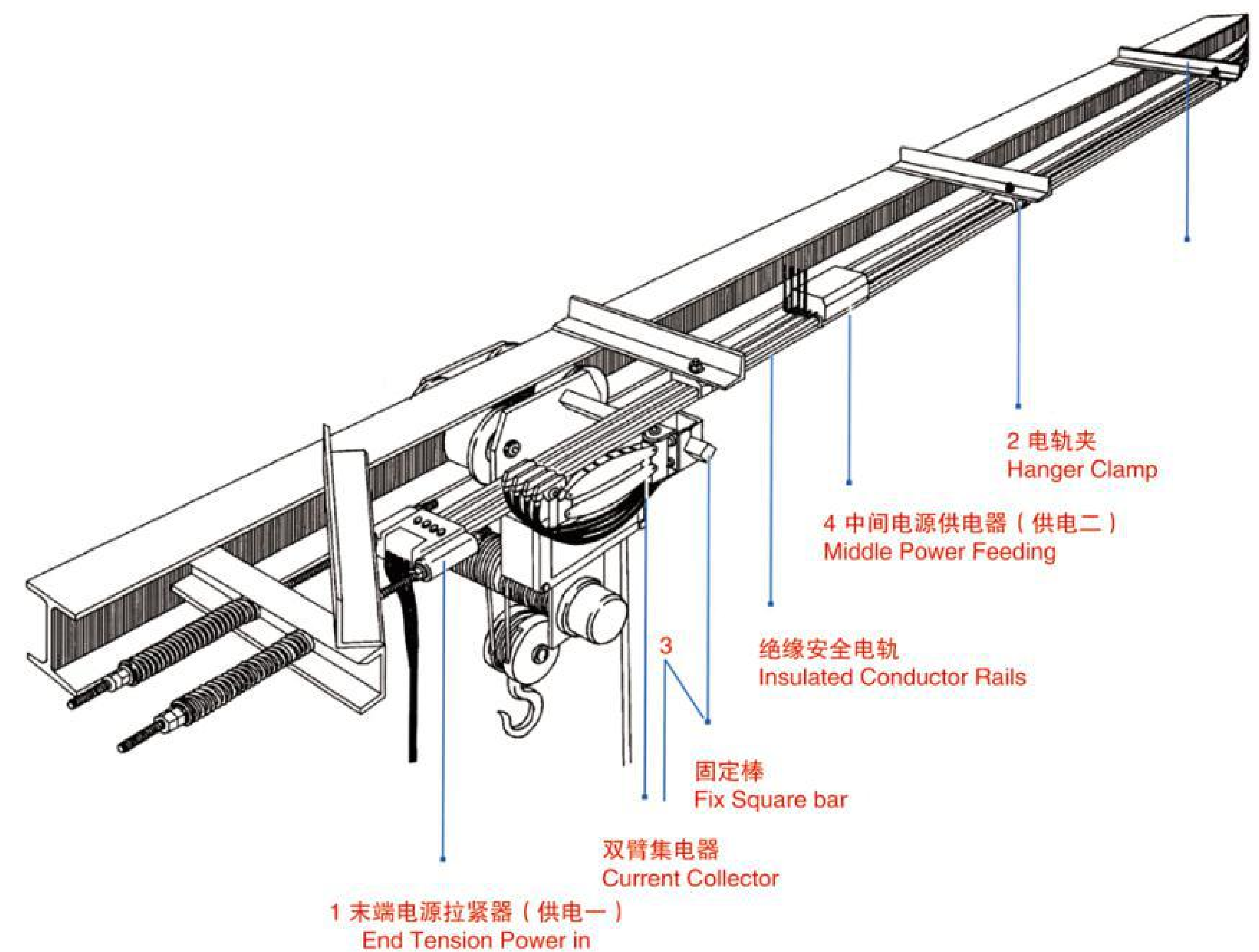


表7

型号Model	代码product cat	重量weight(kg)	A	B
DBC1	68HBBC1	0.63	13	230
DBC2	68HBBC2	0.70	13	330

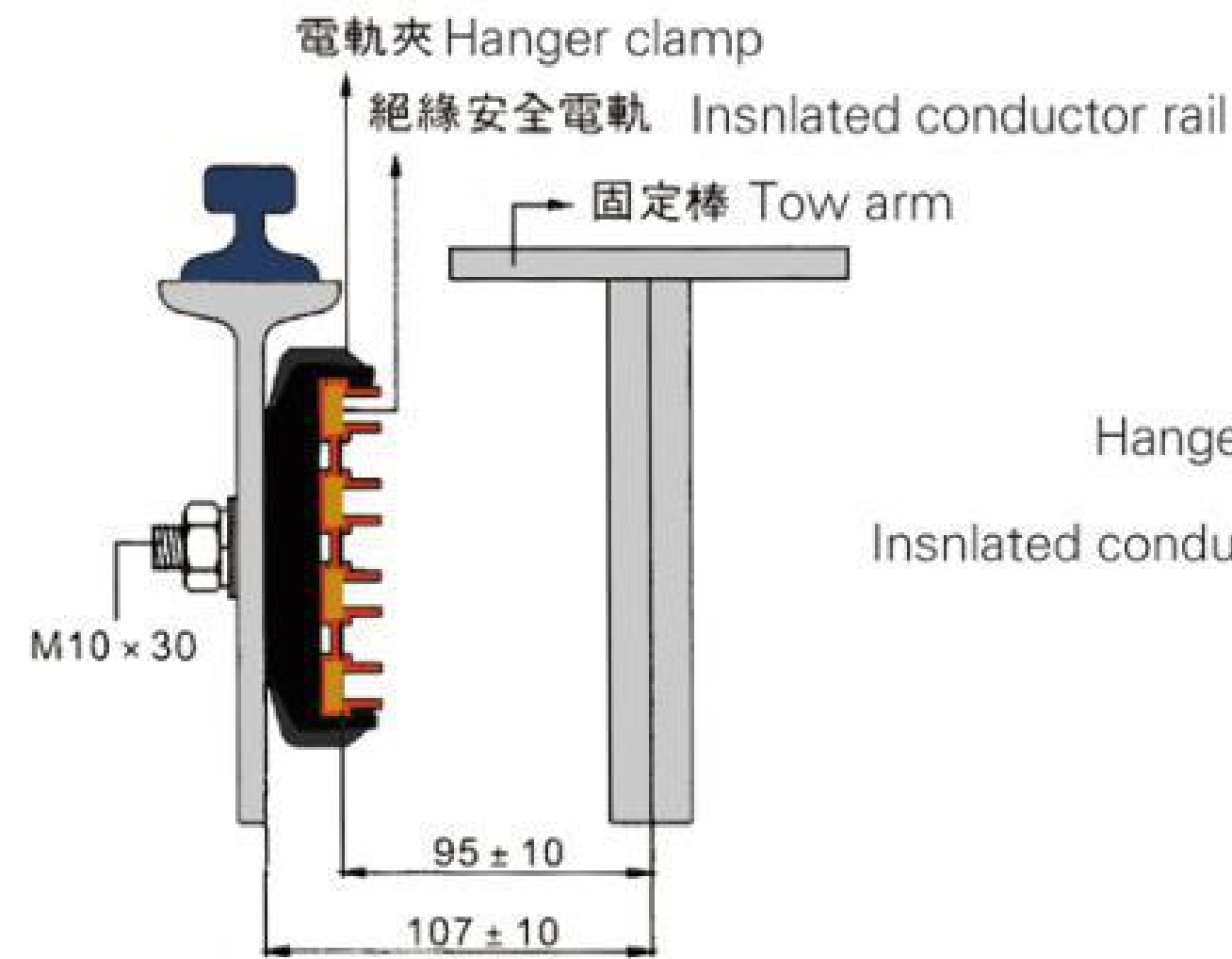


十一、3P、4P、6P无缝滑触线安全电轨概要设计图3P、4P、6P Safe Power rail Summary Design Diagram

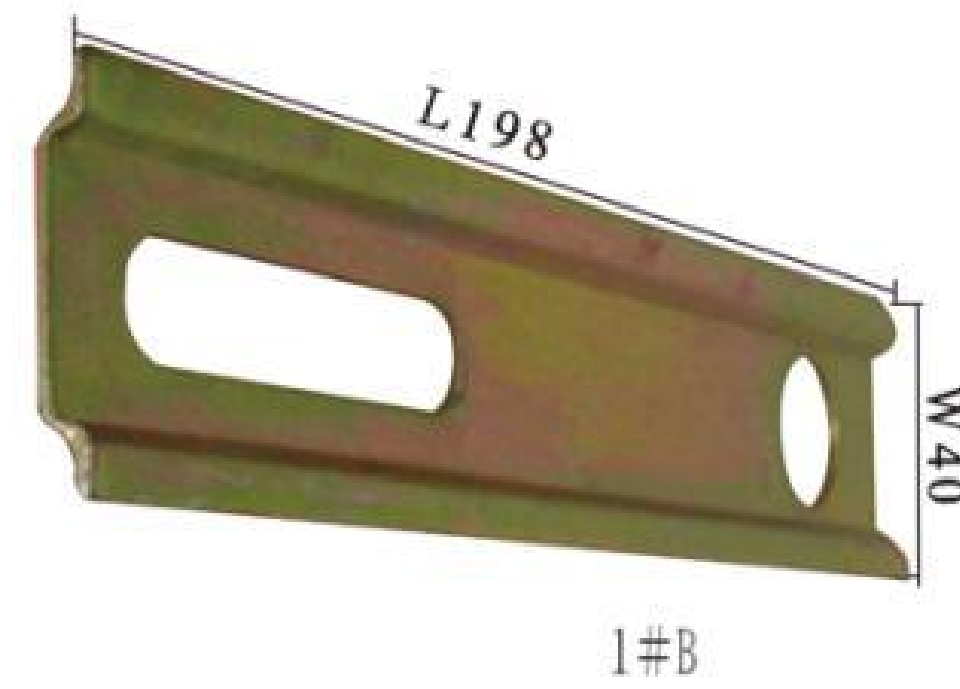
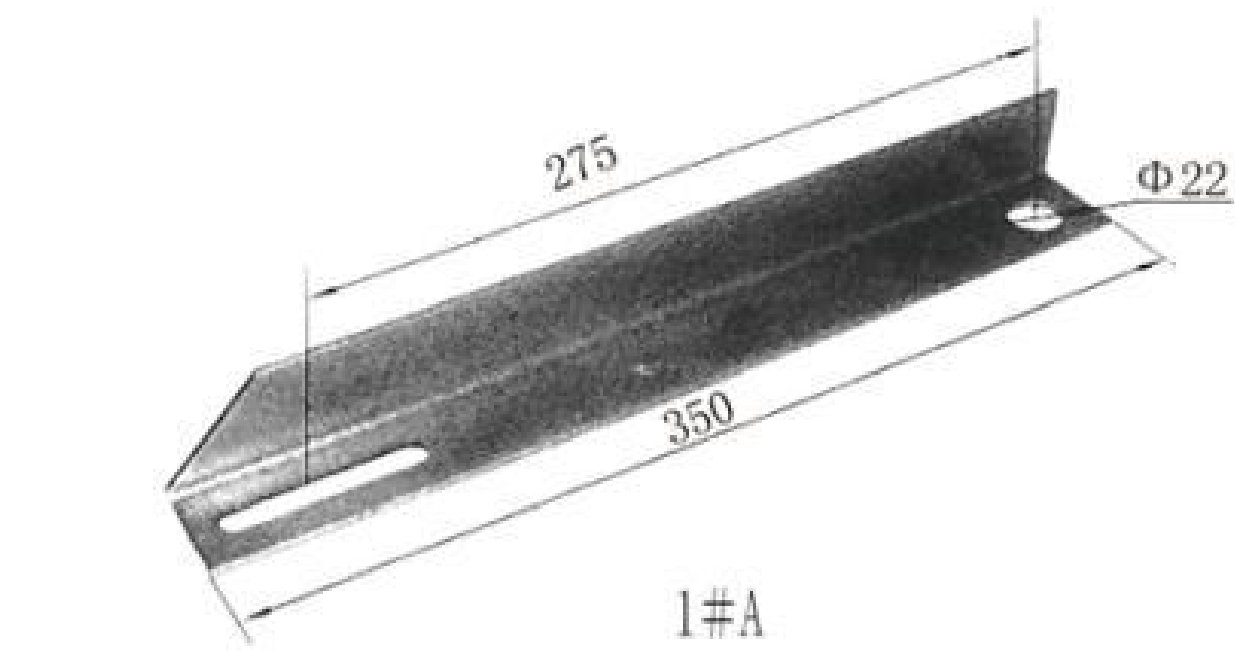
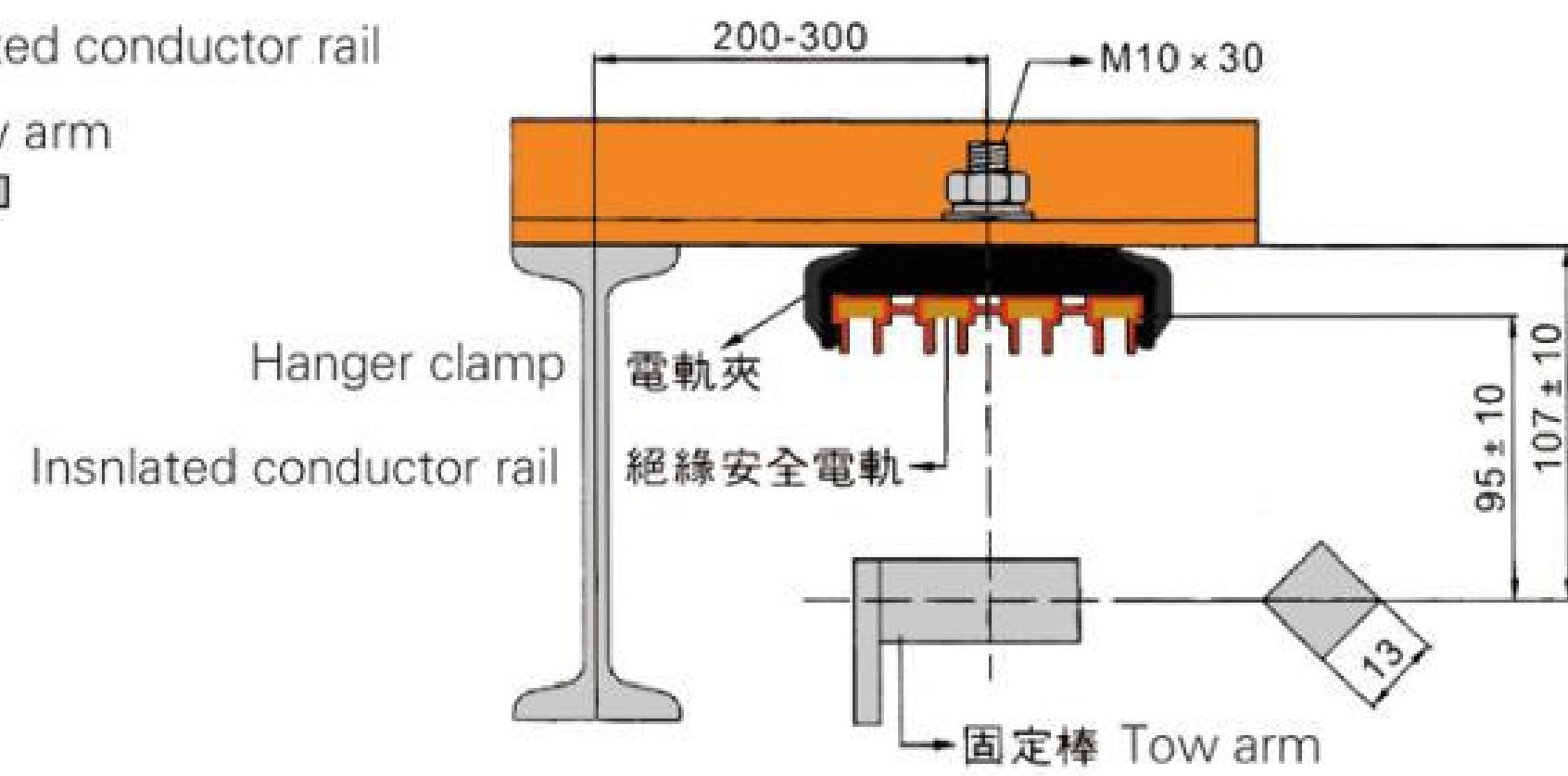




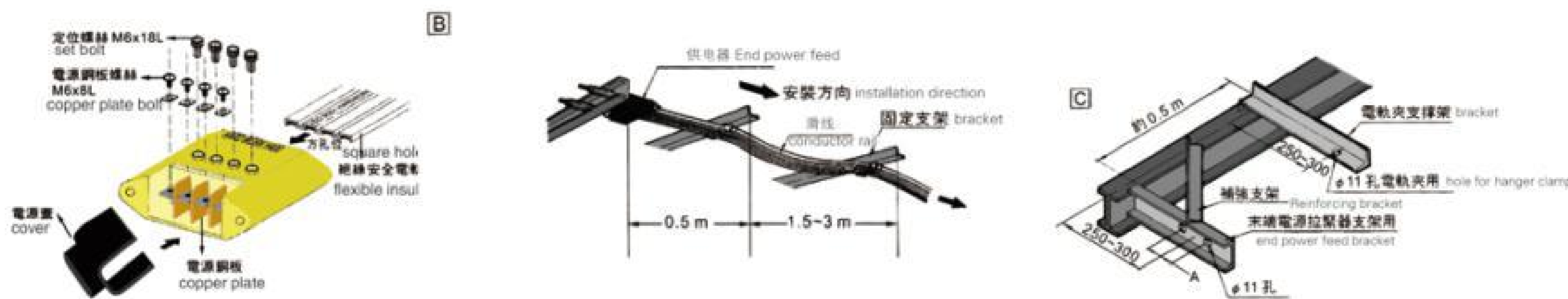
■ 侧式施工 Side mount



■ 立式施工 Horizontal mount

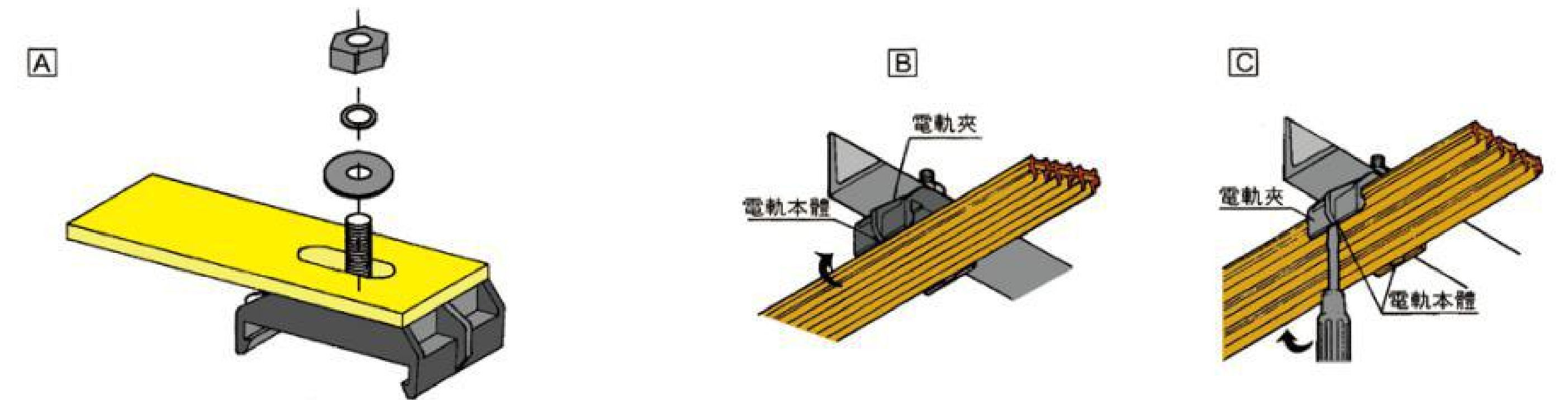


十二、末端电源拉紧器安装图 End Tension Power Strainer Installatoin Diagram



将滑线往方孔位置插入到底 Insert the conductor rail to the end of the square hole.
将末端电源拉紧器所属的黑头内角M5x18L定位螺丝锁到定位 Screw the set bolts
将电源线之端子，锁至于电源铜板上，在将电源盖，盖上即可。Screw the copper plate and fix the cover
末端拉紧供电器先固定于一端，另一端再将滑线拉直即可。(末端电源拉紧器需互相配合) 每1米或1.2米水平安装一个固定支架，固定悬挂无缝悬吊夹。
Fix the first end power feed at one end, straighten the conductor rail and fix the second end power feed at the other end. The first and last hanger must be placed at least 250 mm and no more than 500 mm from the end of a conductor rail section. Max. Support distance is 1200mm.

十三、电轨夹安装图 Hanger clamp installation

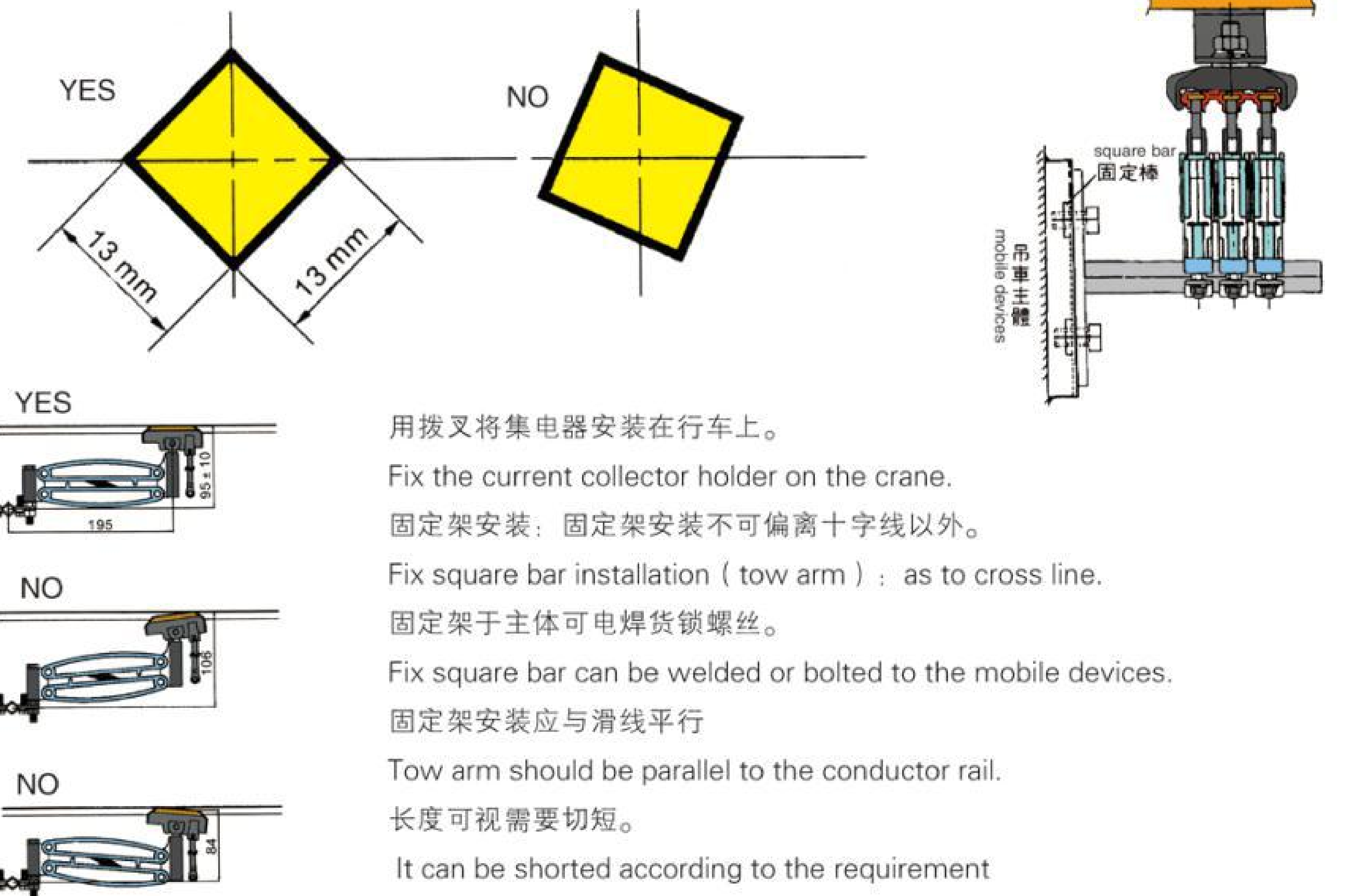


将螺帽及垫片取下，再把螺丝连同滑线夹一起装上支架锁住即可。
Take down the nut and spacer, and then fix the hanger clamp on the bracket.

滑线本身一边对准滑线夹向上推进即可完成。
Put the conductor rail into the hanger clamp.

若绝缘安全滑线装上如要拆下时，利用一平口起子，在滑线两侧轻轻挑起即可。
To remove the conductor rail from the hanger clamp, use the plain top screw driver to move it out.

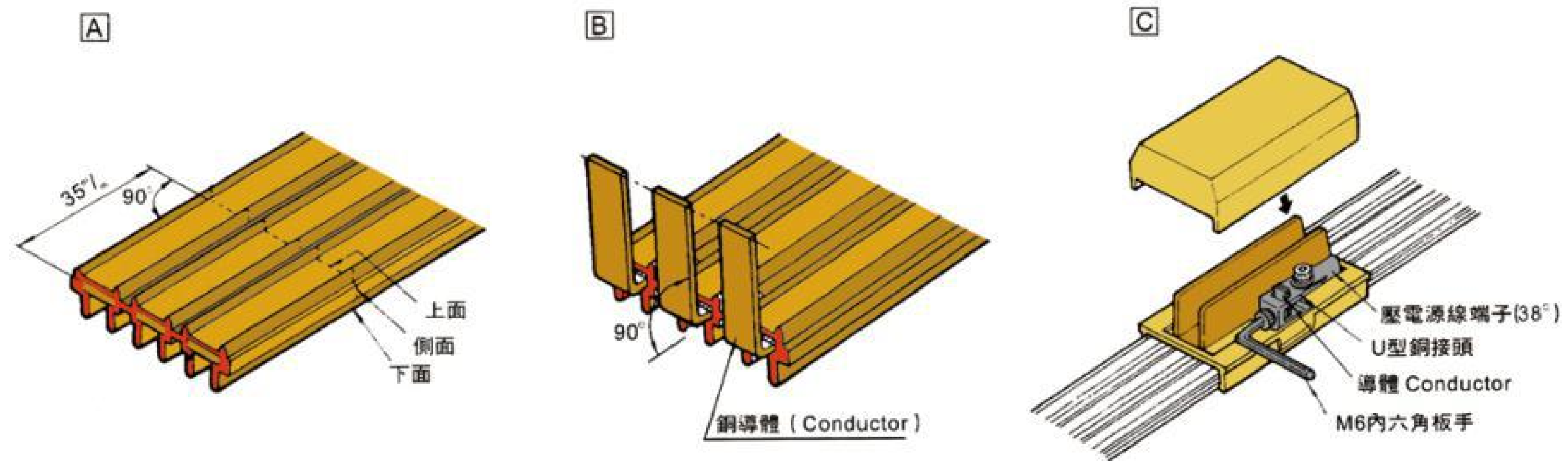
十四、固定棒与集电器安装图 Fix Bar Collector Supports Installation Diagram



用拨叉将集电器安装在行车上。
Fix the current collector holder on the crane.
固定架安装：固定架安装不可偏离十字线以外。
Fix square bar installation (tow arm) : as to cross line.
固定架于主体可电焊货锁螺丝。
Fix square bar can be welded or bolted to the mobile devices.
固定架安装应与滑线平行
Tow arm should be parallel to the conductor rail.
长度可视需要切短。
It can be shorted according to the requirement



十五、中间电源供电安装图 Middle power Feeding Installation Diagram



自电轨末端起35mm处将塑料去除。
Remove the PVC housing from 35mm conductor rail at the end.

再将铜导体往上折90°
Fold the copper bar into 90°

将两端弯好之滑线套入接头内
用U型铜接头夹住锁紧即可。
Put the folded conductor rails into the U copper connector and clamp.

十六、滑触线及配件清单

表1

序号No	名称 name	单位unit	配置Parameter
1	无缝滑触线 Flexible conductor rail	米 M	任意长度，根据客户要求而定 No joint, according to customer's requirements
2	支架 Bracket	只 Piece	0.5~1.0米（视工况条件而定） One piece each 0.5-1 m
3	滑线夹 Hanger clamp	只 Piece	支架数×1 The same to the bracket
4	中间供电 Line feed	付 set	实际需要而定 According to customer's requirements
5	拉紧器 End feed	付 set	每条线工作数量×2 Two set for one power line
6	集电器 Current collector	付 set	视行车台数、线数而定 According the number of mobile devices
7	拨叉 Fix square bar (tow arm)	只 Piece	集电器×1 The same to the current collector

具体所配数量可根据实际需要参见导轨技术参数表，或联系本公司列出详细设计方案及配件清单
The quantity of the accessories is according to the standard configuration or customer's requirements.

TBW安全滑触线系列 TBHL/HT Single-pole combination-type slide wire

工矿企业的各类起重机、电动葫芦的移动供电，如：各种发电厂、钢铁厂、石油化工厂、汽车厂、港站码头、机械制造厂、造船厂、造纸厂、纺织厂、车辆厂、铁路、糖厂、酒厂、化工厂、家电制造厂、仓库及货场等。

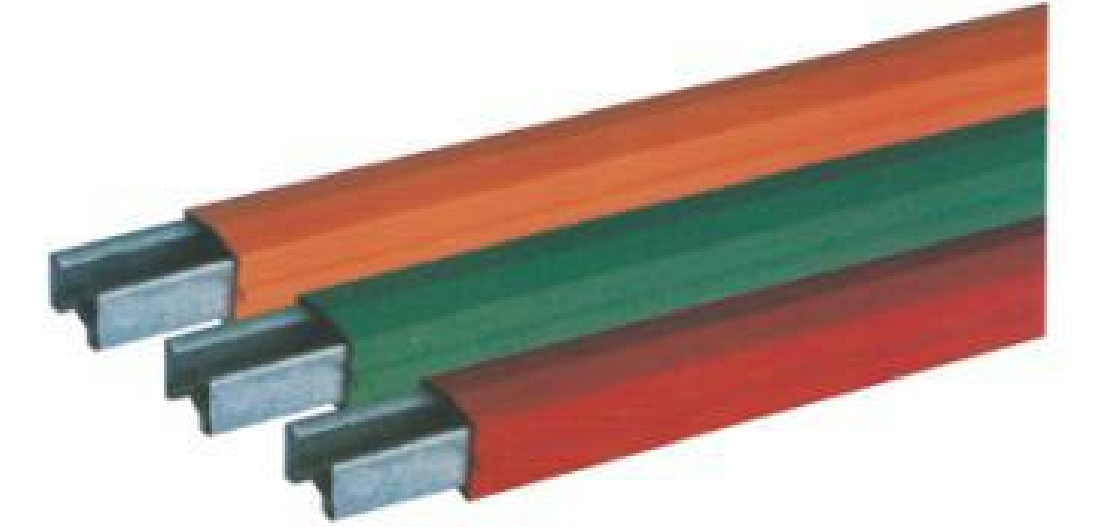
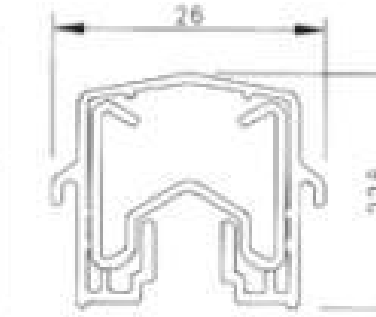
Supplying power to all kinds of cranes and electrical gourd used in many industries: Power Plants, Steel Industry, Oil & Chemical Industry, Auto Industry, Port, Plating Works, Shipbuilding Industry, Paper Mills, Textile Mills, Transportation System, Sugar & Wine Plants, Cement Plants, Warehouse and Material handling system

一些专用设备的移动供电，如：自动化生产线、游乐场的旋转或移动游乐车、飞机维修机库大门、厂房自动门、钢结构桥梁的维护小车、摄影厂、自来水厂设备的移动供电等。

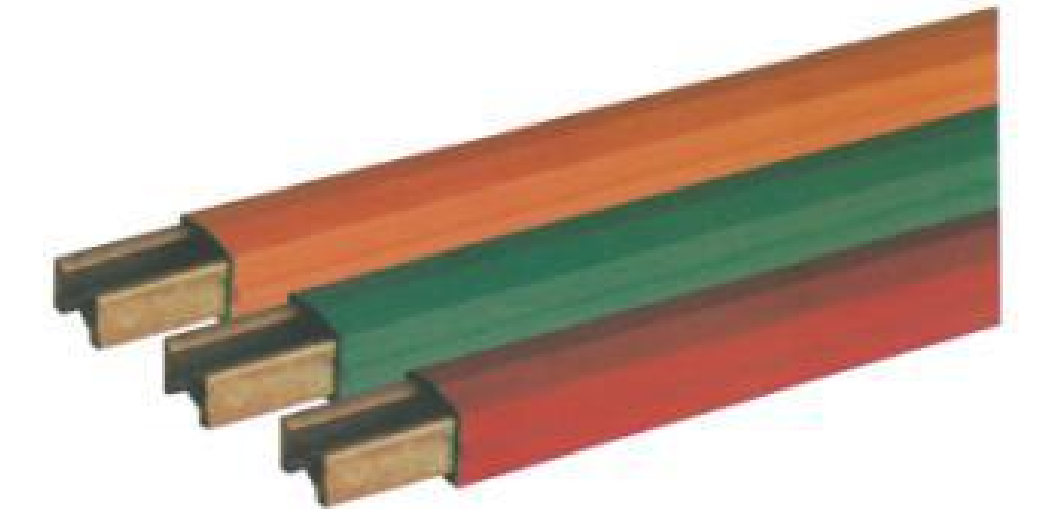
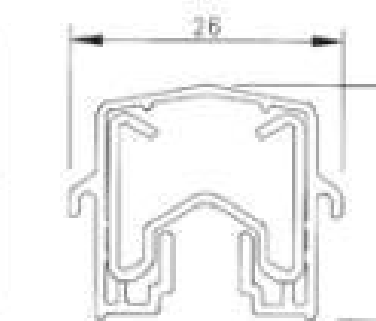
Providing power to some special equipments in such places as Robotics, Amusement Parks, Airport, Bridges, Studio, Sewage & Water Treatment Plants.

一、产品型号 Model of product

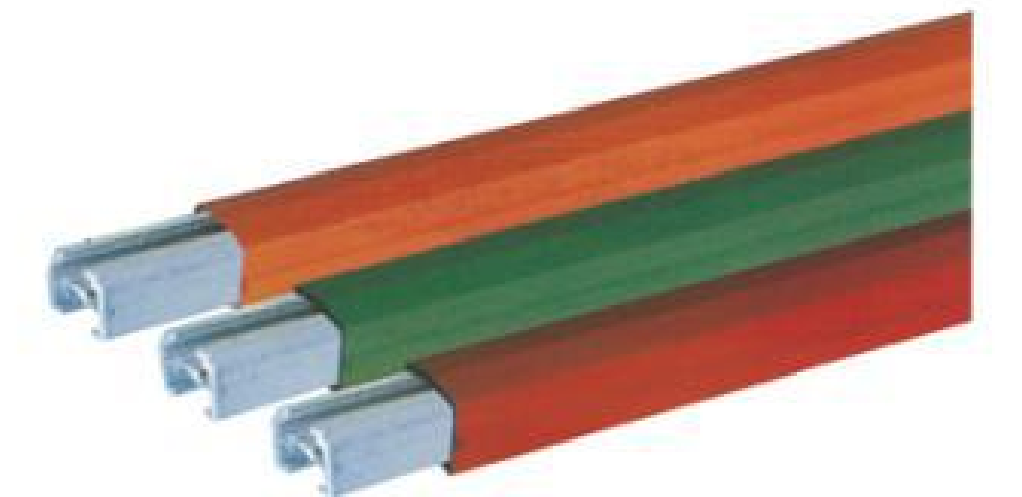
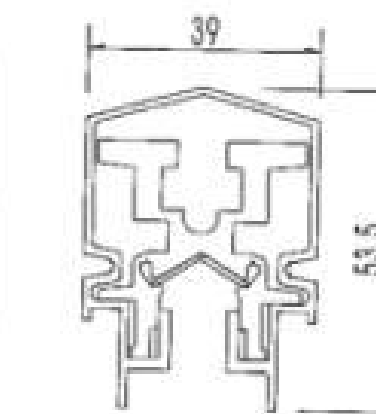
规格型号 Model and specification	TBWG 60A	TBWG 100A	TBWG 125A
重量 (kg) L=45m	2.34	3.76	4.76



规格型号 Model and specification	TBWT 160A	TBWT 250A	TBWT 400A
重量 (kg) L=45m	2.76	3.04	4.40



规格型号 Model and specification	TBWL 160A	TBWL 200A	TBWL 250A	TBWL 315A	TBWL 400A	TBWL 500A
重量 (kg) L=45m	2.15	2.17	2.24	2.39	2.61	3.02



规格型号 Model and specification	TBWG 630A	TBWG 800A	TBWG 1000A	TBWG 1250A
重量 (kg) L=6m	10.38	12.66	17.28	20.58

