

AVID LP POSITION MONITOR

The well proven design of the AVID LP Position Monitor for reliable open/close signal, switch setting, site wiring and weatherproof integrity



GENERAL APPLICATIONS

The low profile switchbox is designed for direct mounting onto the full range of Keystone and PremiAir/MRP pneumatic actuators.

The direct coupling to the actuator shaft ensures an accurate representation of valve position.

TECHNICAL DATA

Micro-switch V3 (mechanical)	SPDT form C
Electrical rating (resistive load)	15 A / 24-240 V AC 15 A / 24 V DC 2.5 A / 48 V DC
Inductive proximity sensor	Pepperl & Fuchs: NJ2-V3-N, SJ3.5-N, SJ3.5-SN, NBB3-V3-Z4, NBB2-V3-E2 IFM: IS5026, IS5001, IS0003, IS5003, NS5002

FEATURES

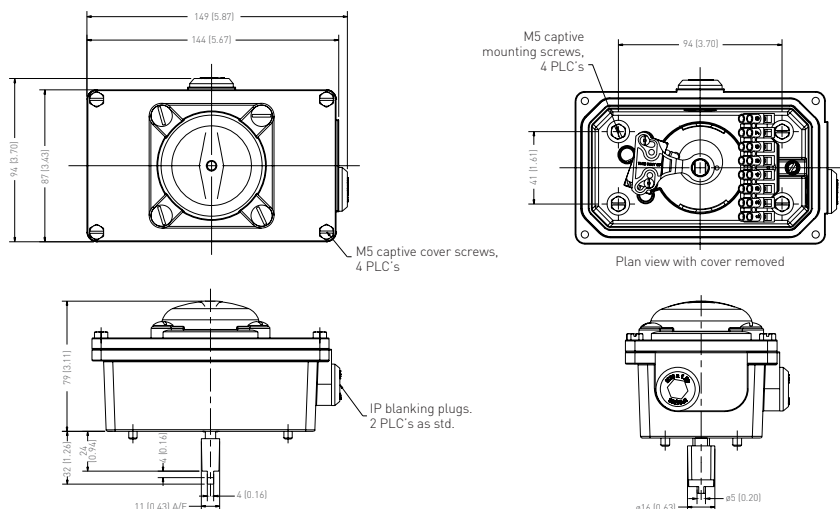
- Suitable for direct mounting to all Keystone and PremiAir/MRP actuators.
- Two EasiFix® vibration resistant self-locking cams, fastened to a splined shaft and can be set by hand in seconds. Due to 120 teeth splines the cams will never slip out of adjustment.
- Top centralizing plate offers improved linearity of the shaft cam arrangement in line with the switch triggering position.
- Cams specially designed to operate either SPDT V3 mechanical switches (with roller lever), or various V3 inductive proximity sensors.
- The DD 16x11 shaft allows direct mounting to Keystone rack and pinion actuators. The shaft can be converted to the Namur dimensions for use on other actuators in combination with a bracket kit.
- Angled 8 pt terminal strip for ease of wiring includes 2 connections for solenoid valves.
- 2 x M20/ ½" NPT cable entries both fitted with an IP66/67 plug.
- Rigid aluminum enclosure to IP66/67 rating.
- Polyester coated aluminum enclosure provides full environmental protection.
- Clearly visible local indicator with option to supply HiVue beacon.

Options

- Position monitor with two V3 mechanical switches with SPDT contacts.
- Position monitor with inductive proximity sensors.

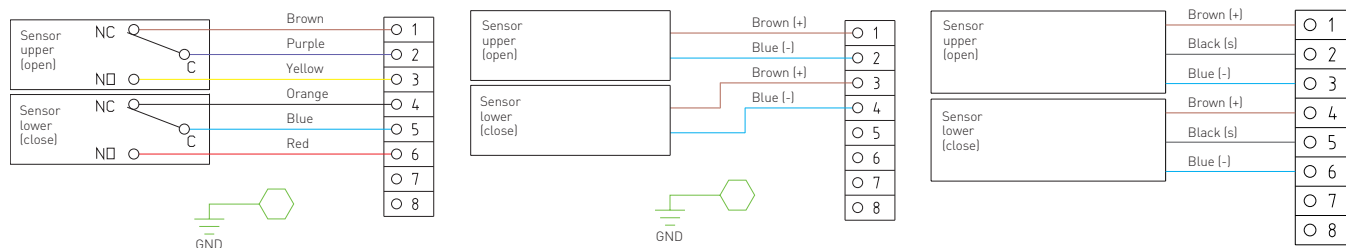
AVID LP POSITION MONITOR

DIMENSIONS



Dimensions in mm, imperial dimensions (inches) in parenthesis

WIRING DIAGRAMS



Option 1 (standard)

Position monitor with 2x V3 mechanical switches.

Option 2

Position monitor with 2x V3 intrinsically safe, normally closed, proximity sensors.

Note: This must be connected to an intrinsically safe amplifier.

Option 3

Position monitor with 2x PNP 3-wire DC, normally open, proximity sensors. Generally used where PNP wiring for current sourcing is preferred.

AREA CLASSIFICATION AND APPROVALS

Weatherproof	IP66/67
Enclosure	Polyester coated aluminum
Conduit entries	2 x M20 / 2 x 1/2" NPT
Terminal strip	8 points canted
Temperature range	-25°C to +70°C / -13°F to +158°F

MATERIALS OF CONSTRUCTION

Body:	Die cast aluminum LM24 (ESPC*)
Cover:	Die cast aluminum LM24 (ESPC*)
Dome:	Ektar (DN004 copolyester)
Cams:	Acetal
Shaft:	Acetal
Position Indicator:	A.B.S. (acrylonitrile butadene styrene)

* Electro Static Powder Coating