

Technical data sheet GES2 universal service outlet

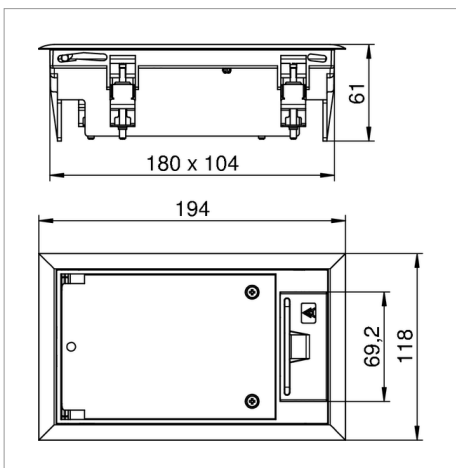


Service outlet for two accessories in one GB2 mounting box for use in trunking systems. With universal fixing bracket.

Carpet protection frame, hinged lid and cord outlet made of polyamide.

5 mm floor covering recess in the hinged cover.

Up to 3 individual Modul 45 devices can be installed.



Type	Colour	Floor covering thickness mm	Pack Units	Weight kg/100 pc.	Art.-No.
GES2 U 7011	Grey; RAL 7011	5	1	61.300	7405116
GES2 U 9011	Graphite black; RAL 9011	5	1	61.300	7405120
GES2 U 1019	Grey-beige; RAL 1019	5	1	61.300	7405124
GES2 U 8014	Sepia brown; RAL 8014	5	1	61.300	7405128

PA Polyamide

price/

