



TL SERIES PHOTOCONTROL

THERMAL, SLIM PROFILE, WIRE-IN DESIGN

KEY FEATURES

- Adjustable swivel base
- Thin line profile-perfect for tight spots
- UL Listed and CSA Certified
- Durable polycarbonate housing
- 30 - 45 second time delay
- Fail mode is ON

Our TL Series provides a slim profile ideal for installation in compact areas. An adjustable swivel base design allows maximum installation flexibility. TE innovative cylindrical design will fit between twin flood lights and in other tight applications.

The TL Series photocontrol is constructed of a high impact UV stabilized polycarbonate housing for superior quality. Controls are also equipped with a field adjustable swivel base that makes it easy to direct the photocell away from stray light.

The TL Series also has a heavy-duty bi-metal switch that provides a 30 - 45 second time delay virtually eliminating unwanted lamp cycling caused by lightning, car headlights, or other sudden changes in ambient light level.

Customers can count on consistent, high quality products, driven by TE's proven innovation and backed by our extraordinary customer support.

TL Series Photocontrol



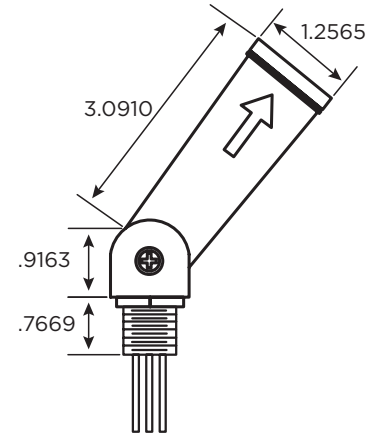
TE's photocontrols can be used to safely control luminaries with incandescent, HID, LED, or compact fluorescent lamps.

SPECIFICATION

Physical	Enclosure: designed to meet UL 773A
	Power consumption: less than 0.9 watts (avg.) at 120 VAC
Temperature	Minus 40°C to plus 65°C at 96% RH
Light Sensor	Cadmium Sulfide Cell

TECHNICAL INFORMATION

Switch	SPST thermal bi-metallic, exceeds 5,000 ON/OFF
Fail Mode	ON (contacts normally closed)
Housing	Polycarbonate with UV stabilized window
Lead Wires	6", #18 AWG, rated 105°C
Nipple	1/2" pipe
Nut	1/2" pipe, die-cast



PRODUCT SELECTION INFORMATION

Description	Rated Volts	Range (Volts)	Load Rating Tungsten (Watts)	Load Rating Ballast (VA)	Turn ON (Fc)	OFF/ON Ratio
TL-115	120	105 - 130	1800	1100	1.5	4 : 1
TL-1168	208/240/277	185 - 305	1200	1100	1.5	4 : 1

Note: 6" lead wires



www.ymelectric.com tel:+86-21-5774 6756 fax:+86-21-57646228 email:sales@ymelectric.com