



## AT SERIES PHOTOCONTROL

### THERMAL, DIE-CAST ALUMINUM HOUSING, WIRE-IN

#### KEY FEATURES

- Tough die-cast aluminum housing
- Heavy-duty thermal bi-metal switch
- UL | CSA Listed
- 30 - 45 second time delay
- 2000 & 3000 watt ratings
- Fail mode is ON

Our AT Series offers a durable control in areas where photocells are vulnerable to damage. The AT Series rugged die-cast aluminum housing makes it ideal for any outdoor installation.

Controls include a heavy-duty bi-metal switch that provides a 30 - 45 second time delay. This virtually eliminates unwanted lamp cycling that could be caused by lightning, car headlights, or other sudden changes in ambient light level.

Although the Turn-On level is pre-set at the factory, each AT control is furnished with an adjustable slide bar that allows field adjustment in order to satisfy specific needs.

Common uses include billboard lighting, areas vulnerable to vandalism, commercial or industrial use, and harsh and hazardous environments.

**Customers can count on consistent, high quality products, driven by TE's proven innovation and backed by our extraordinary customer support.**

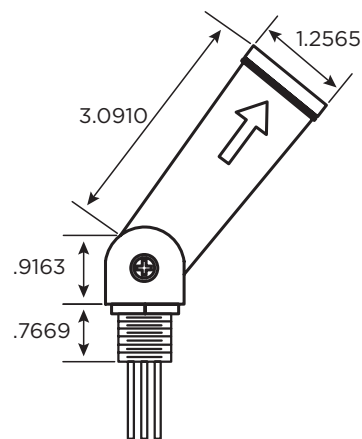
## At Series Photocontrol



TE's photocontrols can be used to safely control luminaries with incandescent, HID, LED, or compact fluorescent lamps.

SPECIFICATION	
Physical	Enclosure: designed to meet UL 773A
	Power consumption: less than 0.9 watts at 120 VAC
Temperature	Minus 40°C to plus 65°C at 96% RH
Load Rating	2000/3000 Watt Tungsten 1900/2900 VA ballast
Light Sensor	Cadmium Sulfide Cell

TECHNICAL INFORMATION	
Switch	SPST thermal bi-metallic, Exceeds 7,500 ON/OFF operations
Fail Mode	ON (contacts normally closed)
Housing	Die-cast aluminum w/ UV polycarbonate window
Lead Wires	6", #10 AWG, rated 105°C (AT-30, 368, & 39) 6", #14 AWG, rated 105°C (all other models)
Nipple	1/2" pipe
Nut	1/2" pipe, die-cast



PRODUCT SELECTION INFORMATION						
Description	Rated Volts	Range (Volts)	Load Rating Tungsten (Watts)	Load Rating Ballast (VA)	Turn ON (Fc)	OFF/ON Ratio
AT-15	120	105 - 130	2000	1900	1.5	4 : 1
AT-168	208/240/277	185 - 305	2000	1900	1.5	4 : 1
AT-19*	480	420 - 530	2000	1900	1.5	4 : 1
AT-20	120/208/240/277	105 - 305	2000	1900	1.5	4 : 1
AT-30*	120	105 - 130	3000	2900	1.5	4 : 1
AT-368*	208/240/277	185 - 305	3000	2900	1.5	4 : 1
AT-39*	480	420 - 530	3000	2900	1.5	4 : 1



www.ymelectric.com tel:+86-21-5774 6756 fax:+86-21-57646228 email:sales@ymelectric.com