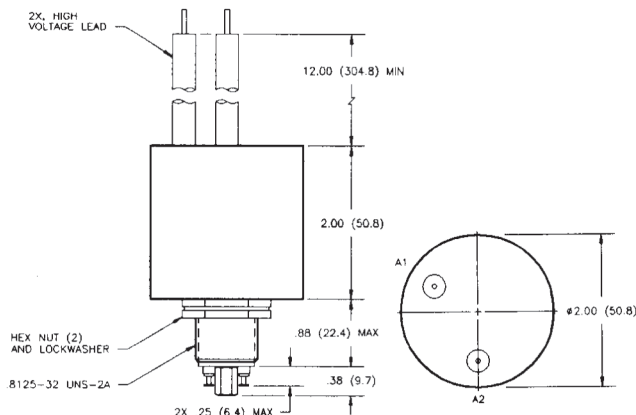
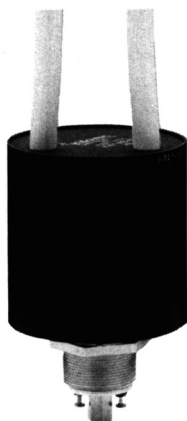


## K61 Series Make Only Load Switching — 35 kV Relays

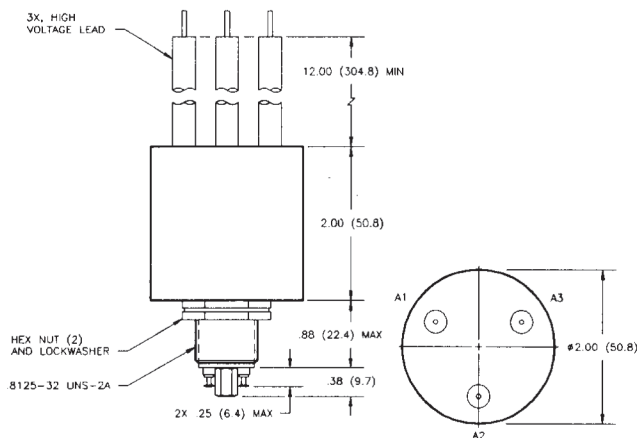
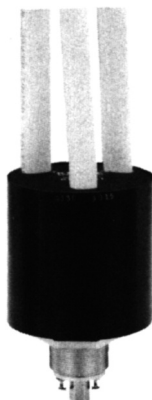
### K61A and K61B Product Facts for K61A and K61B

- SF-6 gas-filled relay excellent for capacitive discharge applications
- Widely used in test equipment and medical instruments
- Fully operable in air and suitable for adverse environments



### K61C Product Facts for K61C

- 35 kV rating in compact, durable package
- SF-6 gas-filled relay excellent for capacitive discharge applications
- SPDT version of K61



### Product Specifications for K61A, K61B and K61C

#### Contact Arrangement —

K61A — SPST-NO  
K61B — STST-NC  
K61C — SPDT

#### Contact Form —

K61A — A  
K61B — B  
K61C — C

**Test Voltage, DC or 60 Hz (Peak)** — 40 kV

**Rated Operating Voltage (Peak)** — DC or 60 Hz — 35 kV

**Continuous Carry Current, Max.** — DC or 60 Hz — 10 A  
Coil Hi-Pot (Vrms, 60 Hz) — 500 A

**Contact Resistance, Max.** — 1.0 ohm\*

**Operate Time, Max.** — 15 ms

**Release Time, Max.** — 15 ms

**Shock, 11ms, 1/2 Sine (Peak)** — 20 g

#### Vibration —

Peak — 10 g (55 to 500 Hz)

#### Operating Ambient Temperature

Range — -55°C to +85°C

**Mechanical Life** — 1 million cycles

**Weight, Nominal** — 340 g (12 oz.)

#### Note:

\*Contact resistance for gas-filled relays measured at 28 Vdc, 1 Amp

### Coil Data

| Volts, Nominal DC      | 12 V     | 26.5 V   | 115 V    |
|------------------------|----------|----------|----------|
| Pickup, Max.           | 9 Vdc    | 18 Vdc   | 90 Vdc   |
| Dropout                | .5-5 Vdc | 1-10 Vdc | 5-50 Vdc |
| Coil Resistance (±10%) | 30 Ω     | 125 Ω    | 2000 Ω   |

Ratings listed are for 25°C, sea level conditions

### Ordering Information

**Sample Part Number** ▶

**Series:** \_\_\_\_\_ **K61 A 7 4 1**

**Contact Form:** \_\_\_\_\_  
A = SPST-NO      B = SPST-NC      C = SPDT

**Coil Voltage:** \_\_\_\_\_  
7 = 12 Vdc, Turret Terminal  
8 = 26.5 Vdc, Turret Terminal  
9 = 115 Vdc, Turret Terminal

**High Voltage Connections:** \_\_\_\_\_  
4 = Flying Leads, 12"  
7 = Flying Leads, 72"  
8 = Flying Leads, 36"

**Mounting:** \_\_\_\_\_  
1 = Threaded

For factory-direct application assistance, dial 800-253-4560, ext. 2055, or 805-220-2055.