



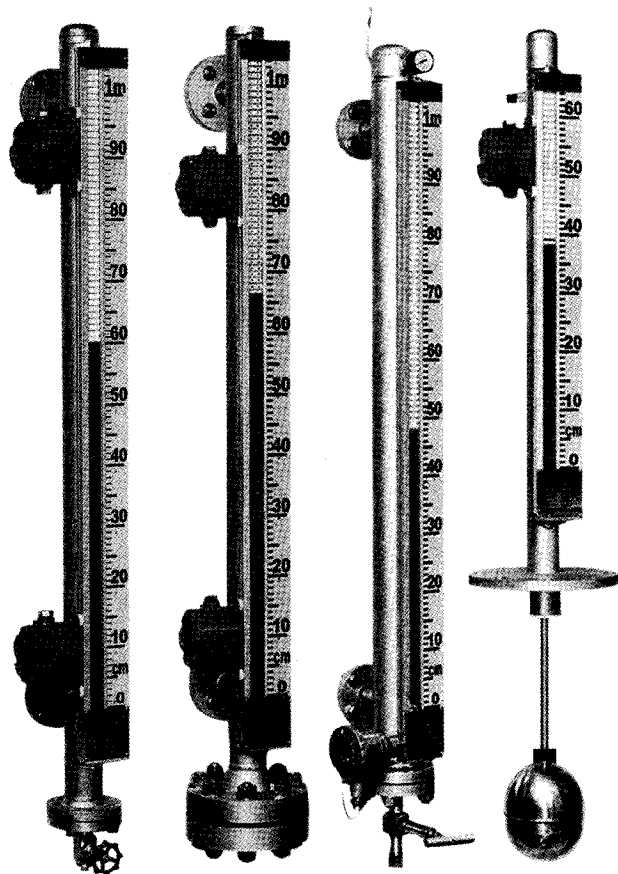
UHZ-517 系列磁翻柱液位计

UHZ-517 SERIES MAGNETIC LIQUID LEVEL GAUGE

概述 INTRODUCTION

UHZ-517系列磁翻柱液位计是公司引进吸收国外同类产品,并加以提高研制生产的产品。系列产品可以做到高密封、防泄漏和在高温、高压、高粘度、强腐蚀性条件下安全可靠地测量液位,全过程测量无盲区,显示醒目,读数直观,且测量范围大,配上液位报警、控制开关,可实现液位或界位的上、下限报警和控制,配上LB型液位变送器,可将液位、界位信号转换成二线制4~20mADC标准信号,实现远距离检测、指示、记录与控制。系列产品广泛用于电力、石油、化工、冶金、环保、船舶、建筑、食品等各行业生产过程中的液位测量与控制。

UHZ-517 series magnetic reversing column liquid level gauges are designed and manufactured by XINGSHEN improved on foreign similar products. The series of products have advantages such as good seal, leakage proof and reliable operation in high temperature, high pressure, high viscosity and strong corrosive situation. No blind area in whole measuring range, striking in display, clear in reading and wide in range. Matched with alarm or control switch, the level or interface can be alarm or controlled at upper or lower points. While matched with LB transmitter, the liquid level or interface can be transferred into 4~20mADC standard signal to realize measure, indication, recording or control long distance.

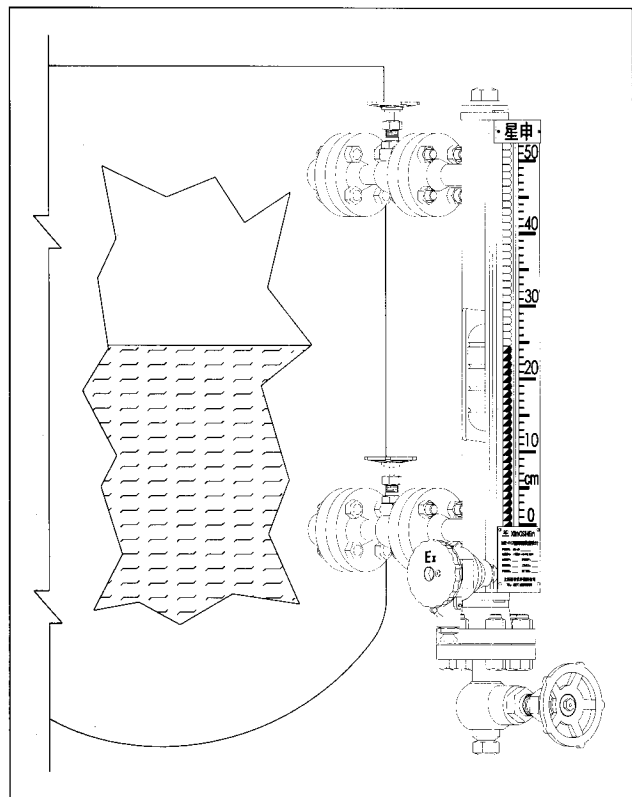


The products are widely applied in the field of electric power, petroleum, chemical industry, metallurgy, environment protection, shipping, architecture and foodstuff.

结构原理 STRUCTURE PRINCIPLE

液位计根据浮力原理和磁性耦合作用原理工作的。当被测容器中的液位升降时,液位计主导管中的浮子也随之升降,浮子内的永久磁钢通过磁耦合传递到现场指示器,驱动红、白翻柱翻转180°,当液位上升时,翻柱由白色转为红色,当液位下降时,翻柱由红色转为白色,指示器的红、白界面处为容器内介质液位的实际高度,从而实现液位的指示。

The liquid level gauge operates on principle of buoyancy and magnetic coupling effect. When liquid level in measured vessel changes, the float in guide tube moves correspondingly. The permanent magnet in float actuates the reversing column to reverse 180° between red and white due to magnetic coupling. As liquid level increases, column reverses into red from white, while liquid level decreases, column reverses into white from red. The red/white interface of indicator is level of liquid in vessel.





沪制02240183



型号规格 MODEL AND SPEC

系列型号 model	结构特点 structure characteristic	适用介质条件 suitable application			法兰连接 flange connection		接液材质 contacting material	安装 形式	重量 weight	
		工作温度 °C	工作压力 MPa	密度 g/cm ³	公称通径 DN(mm)	压力等级 PN(MPa)			基重 kg	加重 kg/m
UHZ-517C10	基本型 basic type	-20~100	≤2.5	0.5~2.0	25	1.0, 2.5	1Cr18Ni9Ti 0Cr18Ni9(304)	側 side - side	6	5
UHZ-517C10A		-20~200							6.8	6
UHZ-517C11	高温低压型 high temperature type and low pressure	≤400	≤2.5	0.5~2.0	25	2.5	00Cr17Ni14M2 304 316L		8.5	7
UHZ-517C12A	高温中压型 high temperature and middle pressure type	≤400	≤4.0	0.5~2.0	25	4.0			8.5	7
UHZ-517C12B	高温高压型 high temperature and middle pressure type	≤400	≤6.4	0.5~2.0	25	6.4			8.5	7
UHZ-517C12C	高温高压型 high temperature and middle pressure type	≤400	≤10.0	0.45~2.0	25	10.0			8.5	7
UHZ-517C12D	高温高压型 high temperature and middle pressure type	≤520	≤16.0	0.45~2.0	25	16.0			8.5	7
UHZ-517C12E	高温高压型 high temperature and middle pressure type	≤520	≤25.0	0.45~2.0	25	25.0			8.5	7
UHZ-517C13	低温型(防霜型) low temperature type (frost-proof)	-40~100	≤4.0	0.38~1.2	25	4.0			8.5	7
UHZ-517C13A	低温型(防霜型) low temperature type (frost-proof)	-196~100	≤4.0	0.38~1.2	25	4.0			8.5	7
UHZ-517C14	液氨、液化气专用型 special type for liquefied ammonia and liquefied gas	-20~100	≤4.0	0.4~1.2	25	2.5,4.0			8.5	7
UHZ-517T14	LPG加气站专用 special type for LPG gas station	-20~100	≤4.0	0.4~1.2	150	2.5,4.0	316L		6	1
UHZ-517C15	耐腐型(不锈钢内衬PTFE) corrosion-proof type (stainless steel with PTFE lining)	-20~200	≤2.5	0.5~2.0	25	1.6, 2.5	PTFE		8.5	7
UHZ-517C15A	无盲区耐腐型 no blind area corrosion-proof	-30~200	≤2.5	0.5~2.0	25	1.6, 2.5	PTFE		8.5	7
UHZ-517C16	耐腐型 corrosion-proof	-20~90	≤1.0	0.5~2.0	25	1.0	PPR		8.5	7
UHZ-517C17	耐腐型 corrosion-proof	-20~60	≤1.0	0.5~2.0	25	1.0	UPVC、PP		5.0	4.2
UHZ-517C19	耐腐型(不锈钢内衬PP) corrosion-proof type (stainless steel with PP lining)	-20~80	≤0.6	0.6~2.0	25	1.0	PP		6.5	5.7
UHZ-517C20	液体硫磺专用型 special type for liquid sulfur	≤250	≤1.6	0.9~2.0	50	1.6	1Cr18Ni9Ti		12	11
UHZ-517C23	卫生标准型,符合GMP规范 sanitary type in compliance with GMP	-20~150	≤0.6	0.9~1.2	25	0.6	316L、Ti		6.5	6
UHZ-517F60	内浮子侧装式,适用重油大罐 inner float side-mounted type for heavy oil big tank	≤150	≤1.6	0.6~2.0	200	1.6	304		9	8
UHZ-517T30	旁通管侧装,顶部指示 bypass tube side-mounted type, indicator at top	-20~200	≤2.5	0.65~2.0	25	1.0, 2.5	304,316L	7	7	
UHZ-517T32	内浮子护管式 inner float protection tube type	-20~200	≤2.5	0.65~2.0	100	1.0, 2.5	304,316L	顶 装 top- moun- ted	5	7
UHZ-517T33	内浮子护柱式 inner float protection pole type	-20~200	≤2.5	0.5~2.0	150	1.0, 2.5	304,316L		5	4
UHZ-517T34	防腐型,顶导管304内衬PP corrosion-proof type, top guide tube with PP lining	-20~80	≤1.0	0.65~2.0	100	1.0	PP		5	5
UHZ-517T35	防腐型,顶导管304内衬PTFE corrosion-proof type, top guide tube with PTFE lining	-20~200	≤1.0	0.65~2.0	100	1.0	PTFE		7	7
UHZ-517T36	无护管型(适合高粘度颗粒介质) no protection tube type (for high viscosity granules)	-20~200	≤2.5	0.5~2.0	150	1.0, 2.5	304,316L,Ti		5	3
UHZ-517D40	旁通管侧装,底部指示 bypass tube side-mounted type, indicator at bottom	-20~200	≤2.5	0.65~2.0	25	1.0, 2.5	304,316L	側 侧 - side	7	7
UHZ-517D42	内浮子护管式 inner float protecting tube type	-20~200	≤2.5	0.65~2.0	100	1.0, 2.5	304,316L		5	5
UHZ-517D43	内浮子护柱式 inner float protecting pole type	-20~200	≤2.5	0.65~2.0	150	1.0, 2.5	304,316L		5	4
UHZ-517D44	防腐型,顶导管304内衬PP corrosion-proof type, bottom guide tube with PP lining	-20~80	≤1.0	0.65~2.0	100	1.0	PP		5	4
UHZ-517D45	防腐型,底导管304内衬PTFE corrosion-proof type, bottom guide tube with PTFE lining	-20~200	≤1.0	0.65~2.0	100	1.0	PTFE		5	4



沪制02240183



上海星申仪表有限公司

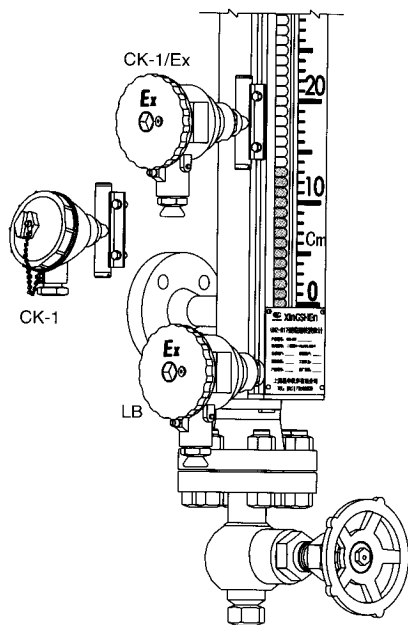
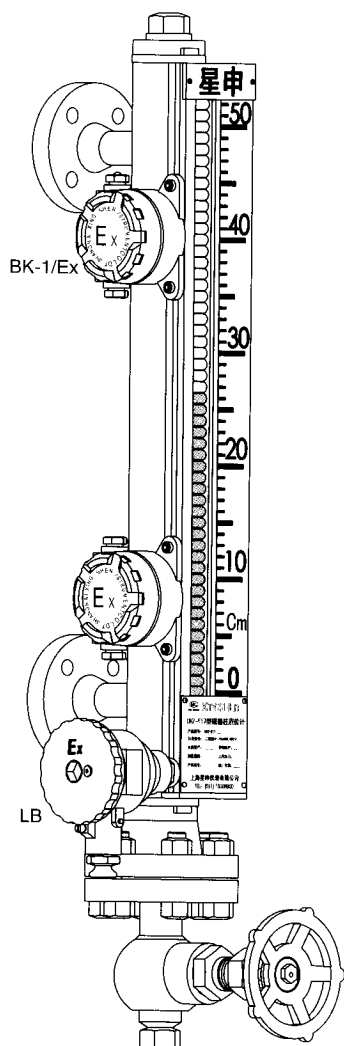
网址: http://www.xingshen.com

电话: 021-58308800, 021-58309977

传真: 021-58309955

UHZ-517磁翻柱液位计配套仪表及附件型号规格 MATCHED INSTRUMENT AND ACCESSORIES

UHZ-517□□□	O	盲板法兰, 不配排污阀 with blind flange and without drain valve	
	L	液位计底部配排污阀 with drain valve at bottom	
	G	BK-1/Ex 凸轮磁驱动型液位开关 cam magnetic driving level switch, (有记忆功能 memorial function) 防爆等级: 本安型 intrinsically safe type: ib II CT4; 隔爆型 explosion proof type: d II BT4	
	M	CK-1 点动式液位开关 point switch	
	N	CK-1/Ex 防爆型点动式液位开关 explosion-proof point switch 本安型 intrinsically safe type: ib II CT4; 隔爆型 explosion proof type: d II BT4	
	S	AK-1 区域型液位开关 section switch	
	T	AK-1/Ex 区域型防爆液位开关 explosion-proof section switch 本安型 intrinsically safe type: ib II CT4; 隔爆型 explosion proof type: d II BT4	请用户注明区域范围 the range need noted
	□	开关点数, (用数字表示)	
	R	配 LB 型变送器 with LB two-wire transmitter, 输出 4~20mA 二线制	
	R1	配 AT500 型磁致伸缩液位变送器 with AT two-wire transmitter, 输出 4~20mA 二线制 (美国 K-TEK 原装进口)	
	R2	配 AT100 型磁致伸缩液位变送器 with AT two-wire transmitter, 输出 4~20mA 二线制, 带 HART 协议 (美国 K-TEK 原装进口)	
	D	隔爆型 explosion proof type: d II BT4~T6	
	E	本安型 intrinsically safe type: ib II CT4~T6	
	F	配隔离安全栅 matched with isolating barrier	
	A	配 XGTH-510 数字、光柱显示调节报警仪, (竖式) with display and regulating instrument (upright)	
	B	配 XGTA-810 数字、光柱显示调节报警仪, (横式) with display and regulating instrument (horizontal)	
	Q	配其它显示仪表 with other display controller	
	J1	蒸汽加热夹套 with steam heating jacket 夹套接口 DN20 G1/2" 外螺纹	
	J2	循环水加热夹套 cycling water heating jacket 夹套接口 DN20 G1/2" 外螺纹	
	J3	真空夹套 vacuum jacket	
	J4	电伴热装置 electrical heating equipment	
	-□□□□	安装高度 installation height (mm) (侧装式不填)	
	-□□□□	测量范围 measuring range (mm)	
	-□□	介质密度 specific gravity of medium (g/cm ³)	
	-□	工作压力 operating pressure (MPa)	



选型举例

UHZ-517C10A 型磁翻柱液位计: 液位计底部配排污阀, 配 BK-1/Ex 凸轮磁驱动型防爆液位开关 2 只, 配 CK-1/Ex 防爆型点动式液位开关 2 只, 配 LB 隔爆型变送器, 配 XGTH-510 数字、光柱显示调节报警仪, 仪表带真空夹套, 测量范围 2000mm, 介质密度 0.85g/cm³, 工作压力 1.6MPa。

标记示例:

UHZ-517C10ALG2N2RDAJ3-2000-1.3-1.6

example:

Magnetic liquid level gauge, with drain valve at bottom, with two cam magnetic driving level switches, with two explosion-proof point switches, with LB explosion proof transmitter, with display and regulating instrument, with vacuum jacket, measuring range 2000mm, specific gravity of medium 0.85g/cm³, operating pressure 1.6MPa.

example:

UHZ-517C10ALG2N2RDAJ3-2000-1.3-1.6



沪制02240183



主要技术参数

MAIN TECHNICAL PARAMETERS

测量范围 measuring range: 300~15000mm

精确度 accuracy: $\pm 10\text{mm}$

介质密度 specific gravity of medium: $\geq 0.45\text{g/cm}^3$

介质密度差 specific gravity difference of medium for interface: $\geq 0.15\text{g/cm}^3$ (测量界位)

环境振动 environment vibration:

$\leq 25\text{Hz}$, 振幅 amplitude $\leq 0.5\text{mm}$

跟随速度 follow rate: $\leq 0.08\text{m/s}$

介质粘度 medium viscosity: $\leq 0.4\text{Pa S}$,

对于粘度大的介质或温度低时易结晶的介质, 可选用加热夹套型液位计。

For bigger viscosity medium or crystalline medium at low temperature, jacket type can be used.

连接法兰 connecting flange:

基本型 basic type: HG20592~20635-97 DN25 PN1.0

其它法兰标准如 GB、ANSI、DIN 等请用户注明 Other standard on request.

安装示意图

INSTALLATION ILLUSTRATION

