

UHZ-517T14 石油液化气专用型磁翻柱液位计 (埋地罐专用)

UHZ-517T14 MAGNETIC LIQUID LEVEL GAUGE FOR PETROLEUM LIQUEFIED GAS (SPECIAL FOR UNDERGROUND TANK)

适用范围 SUITABLE RANGE

该产品适用于压力容器中易汽化介质的液体测量, 尤其适合埋地罐液化气介质的液位测量。可现场显示, 输出二线制4~20mA电流信号, 也可附加高低液位防爆报警开关。由于测量浮子采用三组纯钛浮球组合和独特的导轨形式, 产品性能稳定可靠, 实用性强, 目前在LPG加气站广泛使用。

The product is suitable for level measurement of vaporizable liquid in pressure vessels especially liquefied gas in underground tank. The level can be indicated locally, furthermore, two-wire 4~20mA transmission output and high/low switches can be optional. The float assembly is combined with three titanium floats and moves along with unique guide rail, which makes it stable and reliable in operation. With strong practicability, the products are already applied in wide LPG gas station at present.

技术参数 SPECIFICATION

测量范围 measuring range: 最大max. 3000mm

工作压力 operating pressure: 2.5MPa, 4.0MPa

工作温度 operating temperature: -20~100°C

介质密度 medium density: 0.4~1.2g/cm³

过程连接 process connecting:

DN150, PN2.5或PN4.0凸面,

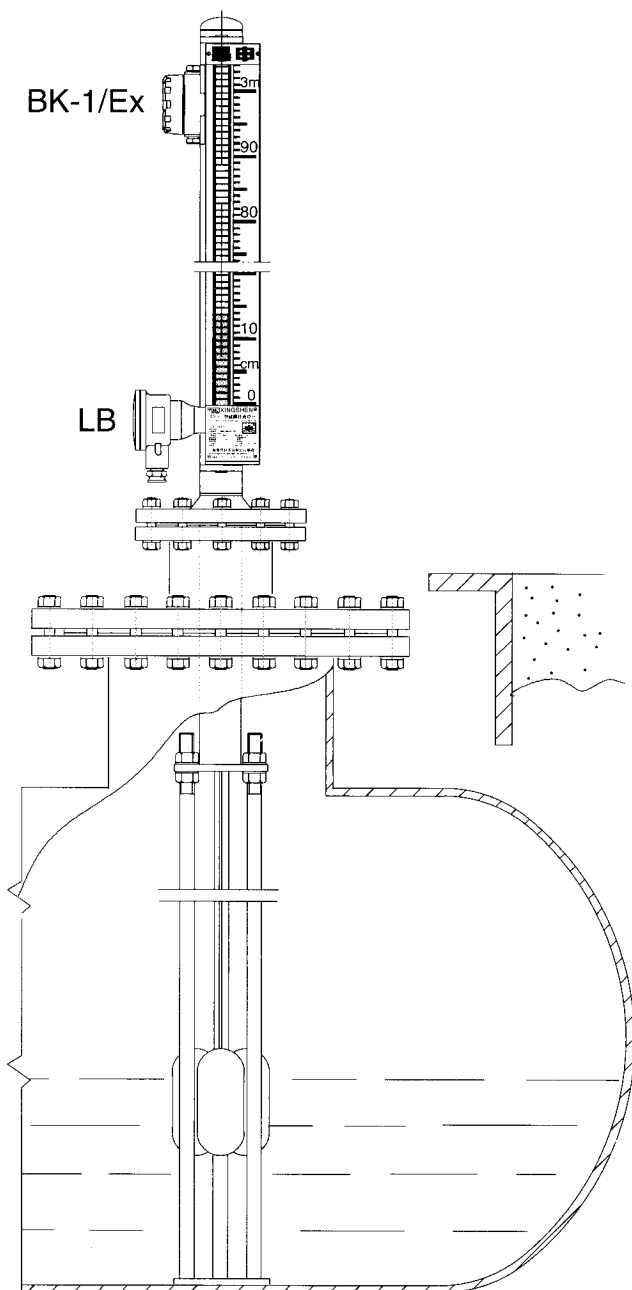
法兰标准flange standard: HG20592~20635-97其它

法兰标准请用用户注明Other standard on request.

材质 material: 筒管: 30400Cr17Ni14M2(316L)

浮子float: 钛titanium

其它可选项 optional items:



UHZ-517T14	
L	排污阀 with drain valve
<input type="checkbox"/>	液位开关 with level switch, G、M、N、S、T 任选option
R	4~20mA二线制变送器 with two-wire transmitter
D	隔爆型 explosion proof type: dIIBT4
E	本安型 intrinsically safe type: ibIICT4
A	XGTH-510(竖式)显示调节报警仪 with display and regulating instrument(upright)
B	XGTA-810(横式)显示调节报警仪 with display and regulating instrument(horizontal)
J3	真空夹套 with vacuum jacket
<input type="checkbox"/>	测量范围 measruing range(mm)
<input type="checkbox"/>	介质密度 specific gravity of medium(g/cm ³)
<input type="checkbox"/>	工作压力 operating pressure (MPa)

