

General Specifications

Model VI701
Vnet/IP Interface Card



GS 33P06B10-31E

■ GENERAL

By installing the control bus interface card into the PCI slot of the PC/AT compatible personal computer, the computer is connected to Vnet/IP.

■ FUNCTION

Interface between the PCI bus and Vnet/IP

■ SPECIFICATIONS

For conforming standards of the CENTUM CS 3000 system, see Integration Production Control System CENTUM CS 3000 Vnet/IP System Overview (GS 33P01B10-31E).

Communication Speed

1000 Mbps Full Duplex

Connection Specifications

Cable: CAT5e (Enhanced Category 5 cable), UTP
Transmission: 1000Base-T compliance
Connector: RJ45 connector
Max. distance: 100 m (Distance between VI701 and Layer 2 switch)
Autonegotiation

PCI Bus Specifications

Applicable revision:
PCI Bus Specification 3.0
32 bit/33 MHz

This card can be installed on the PCI-X slot, either.
Note: If this card is installed, the bus speed of the PCI-X bus segment is 33 MHz.

Voltage

Power supply voltage: 5 V
Signal voltage: 3.3 V/5 V

Current Consumption

Max. 2.5 A

Weight

0.2 kg

External Dimensions

106.68 mm x 167.64 mm

Regulatory Compliance

EMC Standards:
[CE Mark]
[C-Tick Mark]

■ PARTS NAME AND FUNCTIONS

RDY lamp

Lights when it diagnoses the card as normal.

RCV lamp

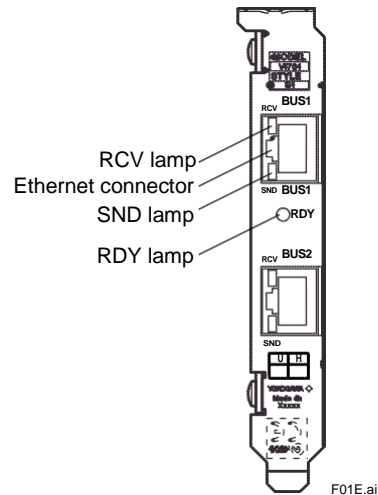
Lights when it detects signals on a control bus.

SND lamp

Lights when it sends signals to a control bus.

Ethernet connector

Connects a CAT5e (Enhanced Category 5 cable)



Vnet/IP Interface Card (Front)

■ MODEL AND SUFFIX CODE

Model	Description
VI701	Vnet/IP Interface Card

■ ORDERING INFORMATION

Specify model.

■ TRADEMARKS

- CENTUM is a registered trademark of Yokogawa Electric Corporation.
- Other product and company names appearing in this document are trademarks or registered trademarks of their respective holders.