

General Specifications

Personal pH & ORP Meter Model PH72

GS 12D03D01-01E

■ INTRODUCTION

Compact, Easy-to-Use, and Drip-proof, the PH72 is designed specifically to meet the needs of both the field and the laboratory. This portable pH meter includes advanced features such as Data Memory, Alarm, and Self-Diagnostic functions. Combined with a wide variety of pH electrodes, the PH72 offers the flexibility to meet the requirements of nearly any pH application.

■ FEATURES

- Waterproof (IP67), sealed case and connector cover to keep out moisture
- “One-touch” Automatic Calibration
- Large, easy-to-read display
- Automatic or Manual Temperature Compensation
- Self-Diagnostics warn of fault conditions
- Auto power off extends battery life
- 300 Points of Data Memory (stores pH value, temperature, date, and time)
- Audio Alarm Function



■ SPECIFICATIONS

Measuring Ranges:

pH: 0 to 14 pH
ORP: -2000 to +2000 mV
Temperature: 0 to 80° C

Display: Digital LCD

Resolution:

pH: 0.01 pH
ORP: 1 mV
Temperature: 0.1° C

Repeatability: ±0.01 pH; ±1 mV; ±1 digit

Process Temperature: 0 to 80° C

Ambient Temperature: 0 to 50° C

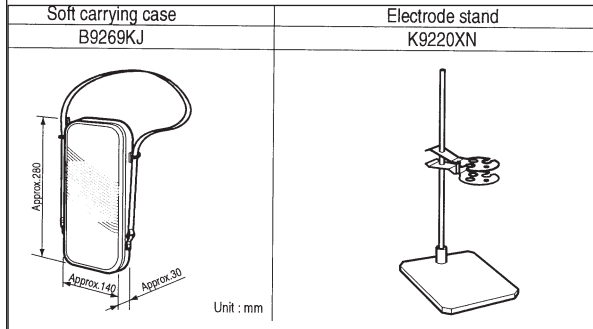
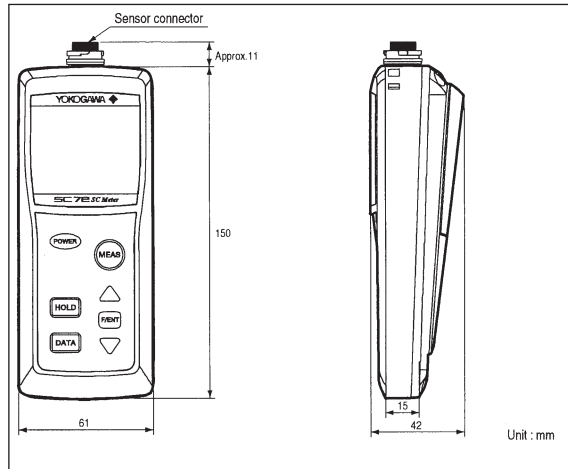
Power Supply: Two AA size Alkaline Batteries

■ HOW TO ORDER THE PH72

Model Code	Description
PH72-00-E-AA	Hand-Held pH & ORP meter without sensor

■ HOW TO ORDER SEPARATE pH SENSORS

Part Number	Description
PH72SN-11-AA	KCl Non-refillable general purpose pH electrode with 0.75m integral cable; Integral temperature sensor
PH72SN-13-AA	KCl Non-refillable general purpose pH electrode with 3.0m integral cable; Integral temperature sensor
PH72SN-21-AA	KCl refillable pH electrode with 0.75m integral cable (for high purity applications); Integral temperature sensor
PH72SN-23-AA	KCl refillable pH electrode with 3.0m integral cable (for high purity applications); Integral temperature sensor
PH72SN-32-AA	Needle type pH electrode with 0.75m integral cable; No temperature sensor
PH72SN-33-AA	Test tube type pH electrode with 0.75m integral cable; No temperature sensor
OR72SN-41-AA	KCl refillable ORP electrode with 0.75m integral cable
OR72SN-43-AA	KCl refillable ORP electrode with 3.0m integral cable



■ PH SENSOR FOR PERSONAL pH, pH/ORP METER

