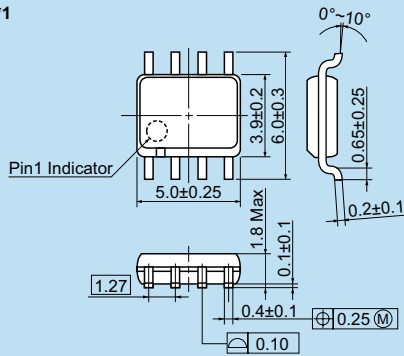


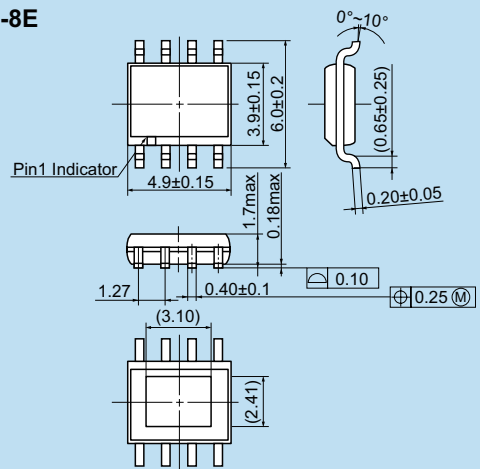
< 集積回路 / ディスクリートデバイス Integrated circuits / Discrete devices >

mm

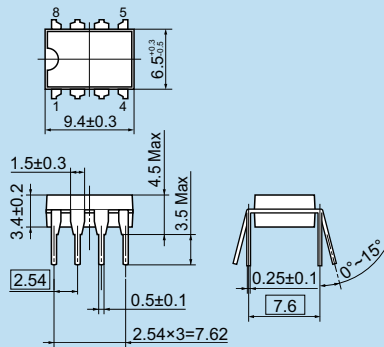
SOP-8^{*1}



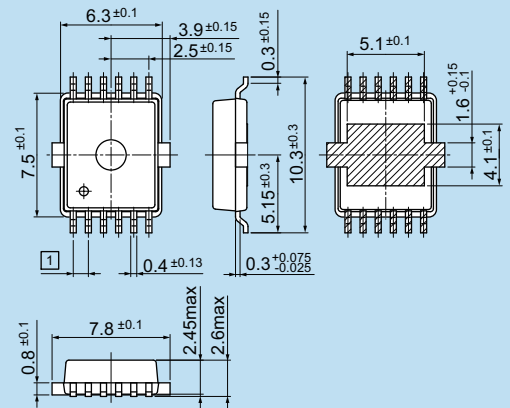
SOP-8E



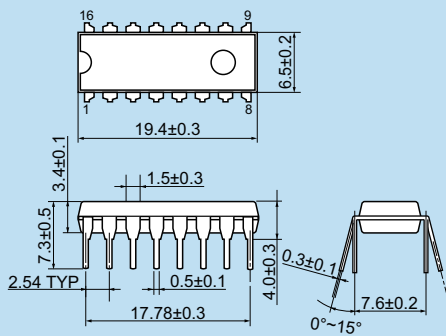
DIP-8



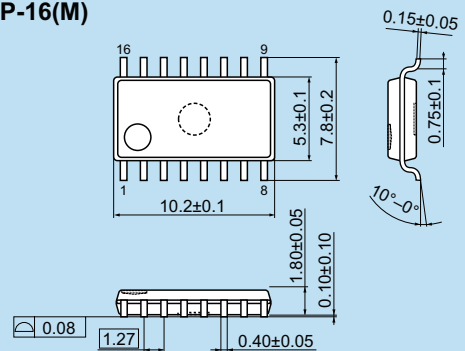
PSOP-12



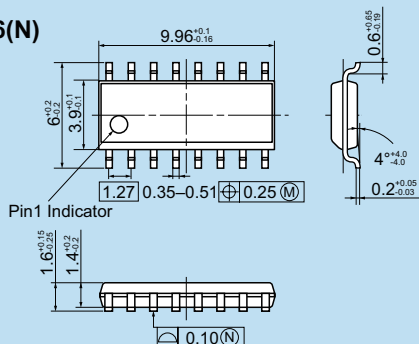
DIP-16



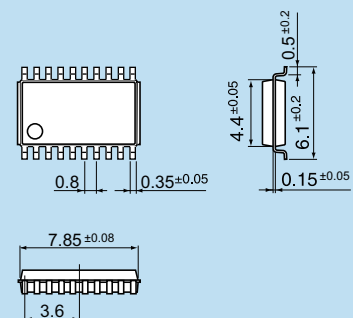
SOP-16(M)



SOP-16(N)



SSOP-20



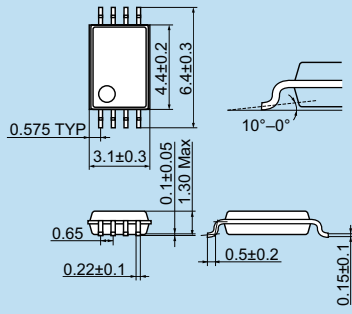
*1) 代表型式 (FA8AxxN) のパッケージサイズです。他の IC については個別アプリケーションノート (仕様書) を参照ください。

*1) This is the package size for the representative device type (FA8AxxN). For other ICs, please refer to the separate application note (specifications).

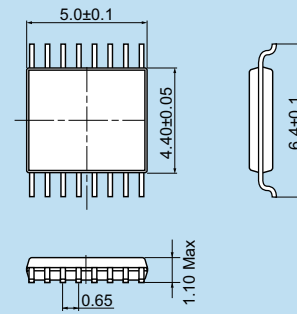
外形図/Outline

mm

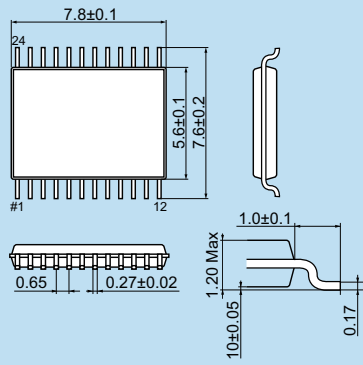
TSSOP-8



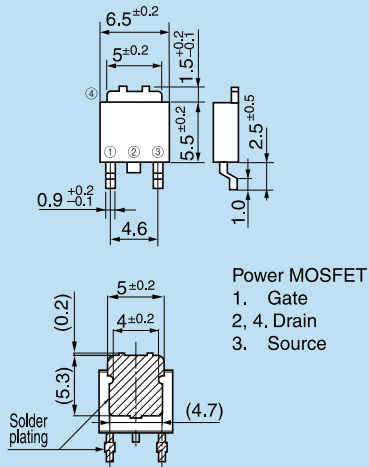
TSSOP-16



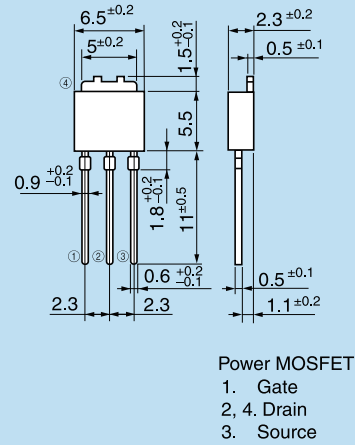
TSSOP-24



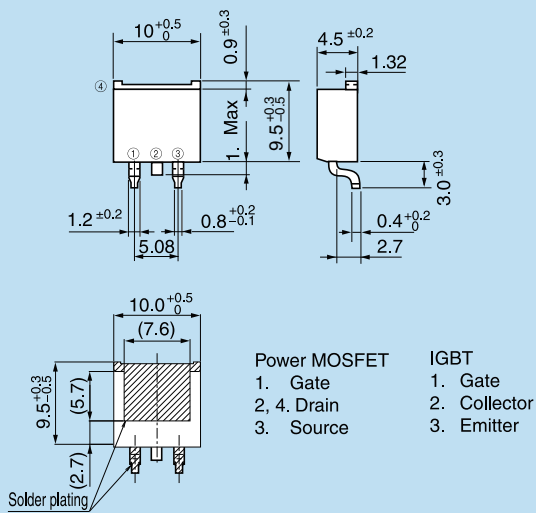
K-pack(S)/D-pack



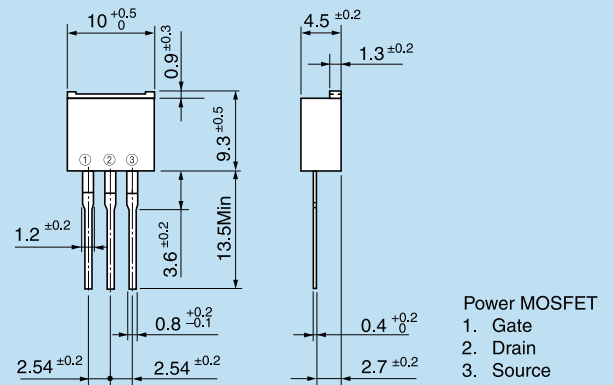
K-pack(L)/I-pack: Power MOSFET K-pack(P)/I-pack: Diode



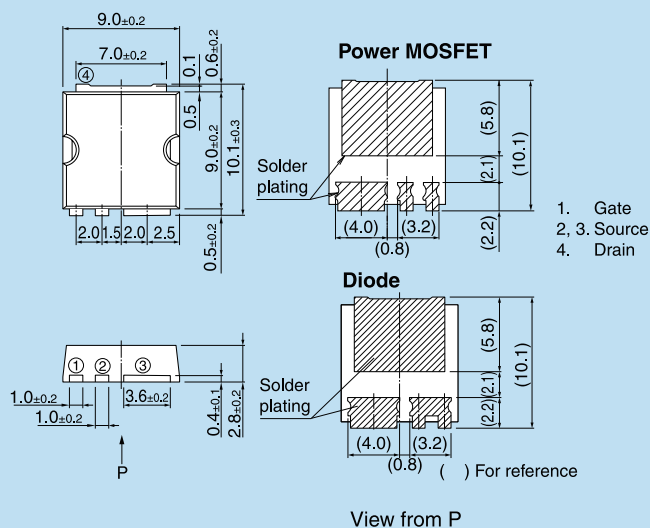
T-pack(S)



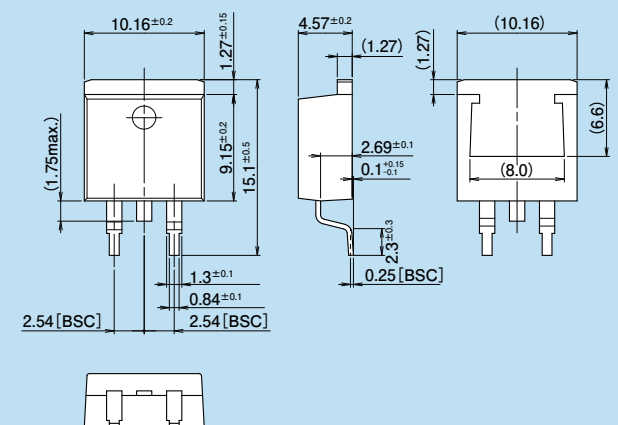
T-pack(L): Power MOSFET T-pack(P): Diode



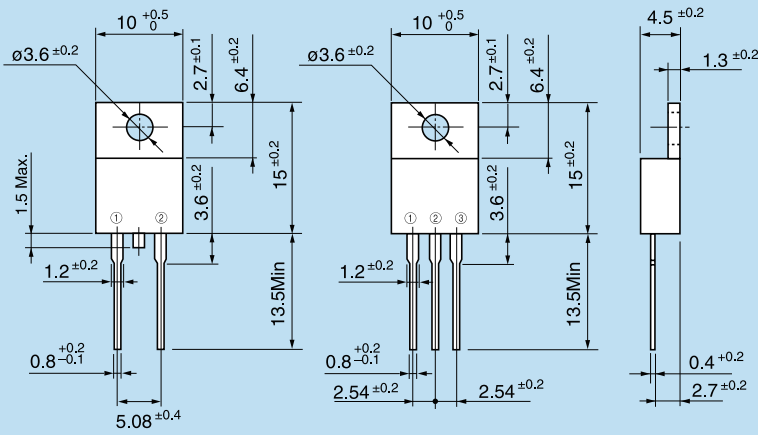
TFP



D2-Pack

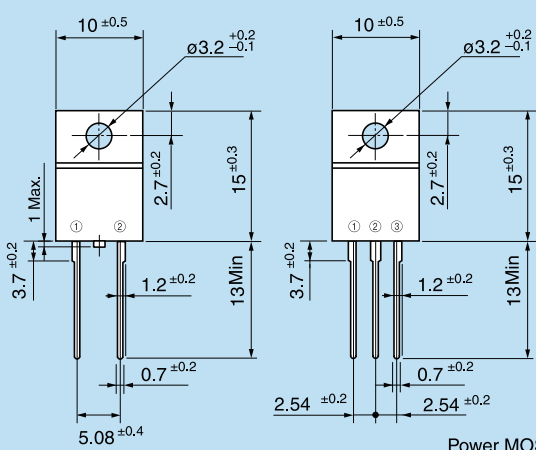


TO-220AB



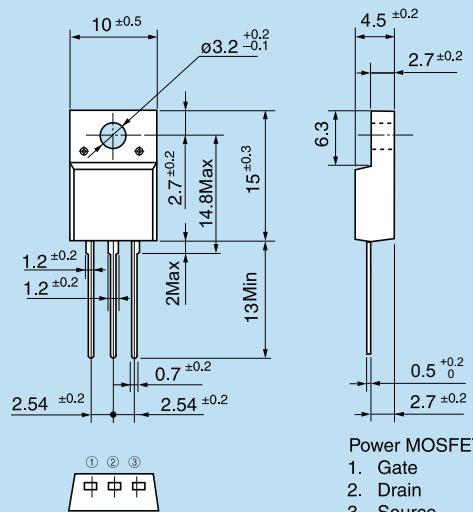
- | | |
|--------------|--------------|
| Power MOSFET | IGBT |
| 1. Gate | 1. Gate |
| 2. Drain | 2. Collector |
| 3. Source | 3. Emitter |

TO-220F



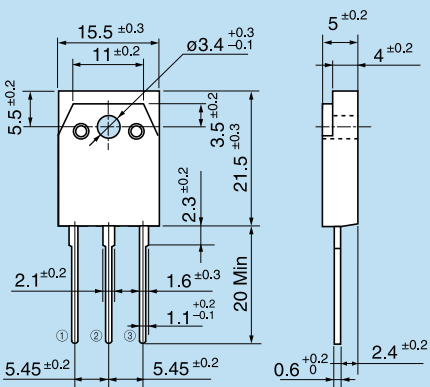
- | |
|--------------|
| Power MOSFET |
| 1. Gate |
| 2. Drain |
| 3. Source |

TO-220F (SLS)



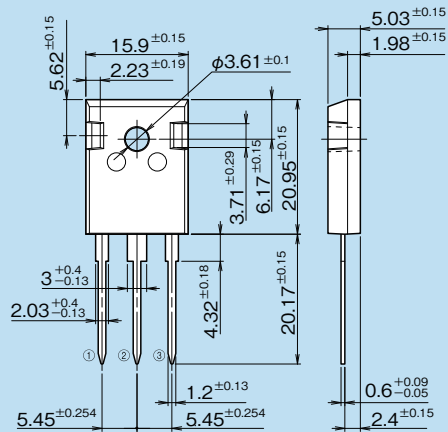
- | |
|--------------|
| Power MOSFET |
| 1. Gate |
| 2. Drain |
| 3. Source |

TO-247



- | |
|--------------|
| Power MOSFET |
| 1. Gate |
| 2. Drain |
| 3. Source |

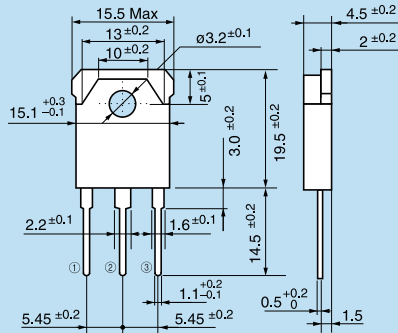
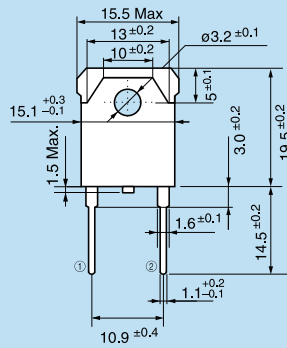
TO-247-P2



- | | | |
|--------------|--------------|------------|
| Power MOSFET | IGBT | FWD |
| 1. Gate | 1. Gate | 1. Anode |
| 2. Drain | 2. Collector | 2. Cathode |
| 3. Source | 3. Emitter | 3. Anode |

mm

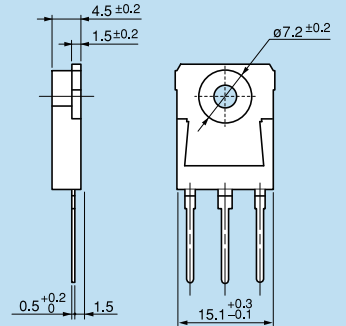
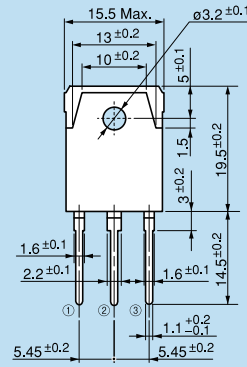
TO-3P



Power MOSFET
 1. Gate
 2. Drain
 3. Source

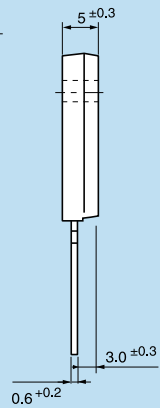
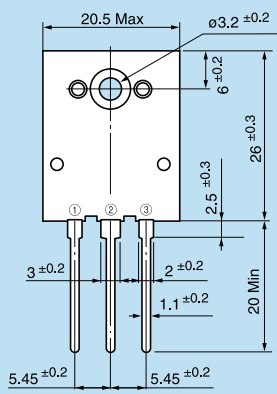
IGBT
 1. Gate
 2. Collector
 3. Emitter

TO-3P(Q)



Power MOSFET
 1. Gate
 2. Drain
 3. Source

TO-3PL

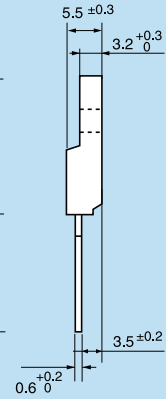
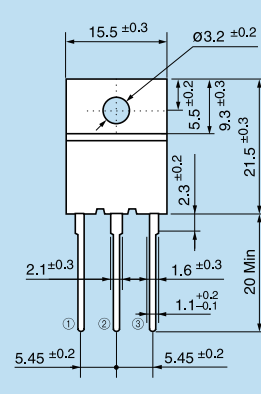


Power MOSFET
 1. Gate
 2. Drain
 3. Source

IGBT
 1. Gate
 2. Collector
 3. Emitter

FRD: ERW13-060
 1. Open
 2. Cathode
 3. Anode

TO-3PF



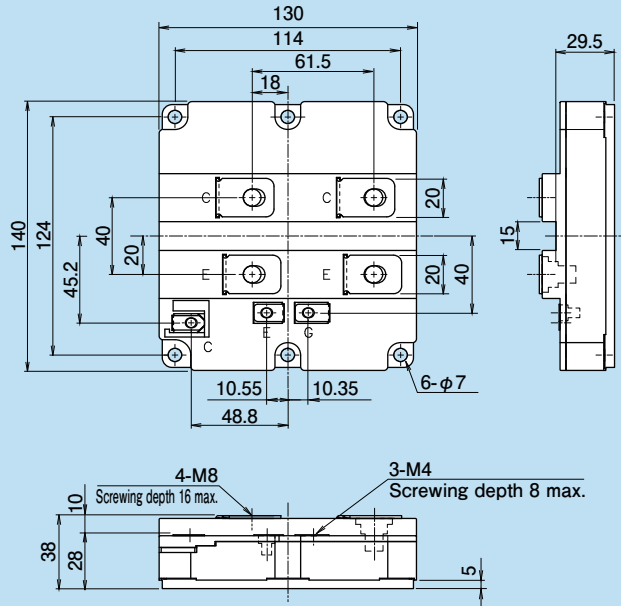
Power MOSFET
 1. Gate
 2. Drain
 3. Source

外形図/Outline

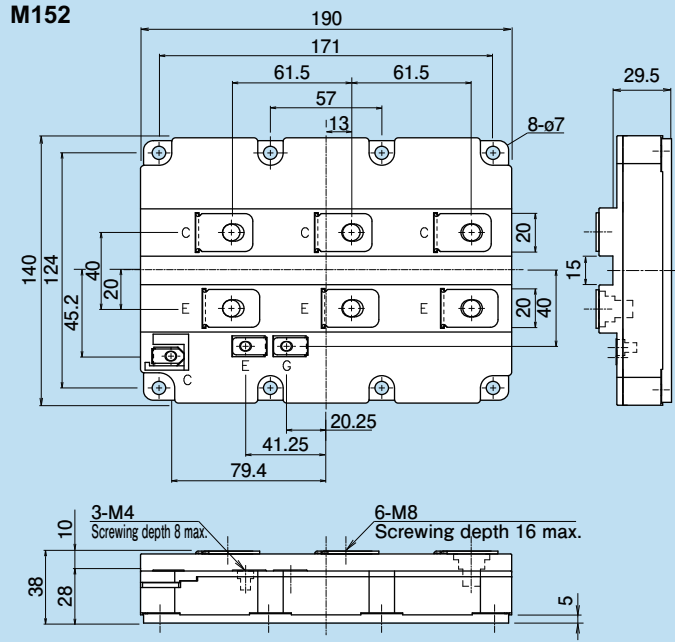
<パワーデバイス Power devices>

mm

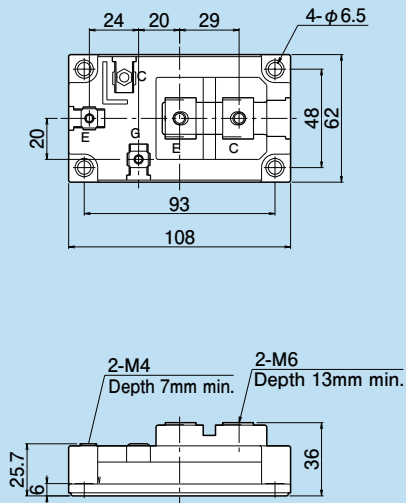
M151



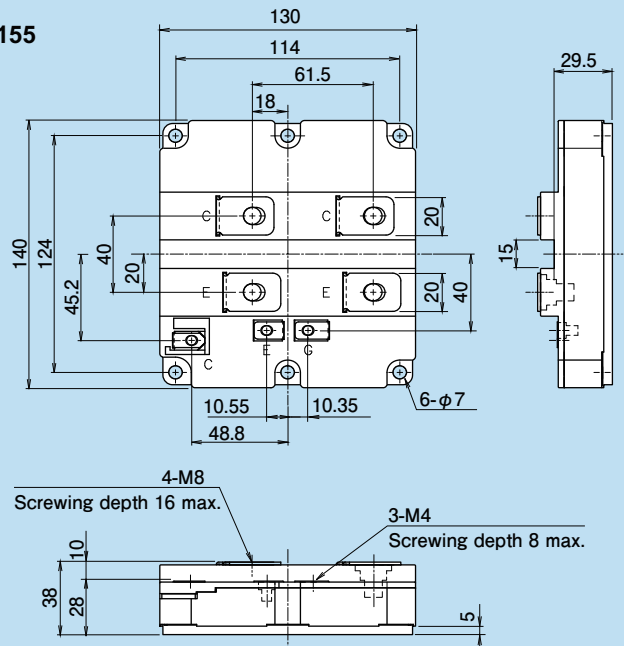
M152



M153

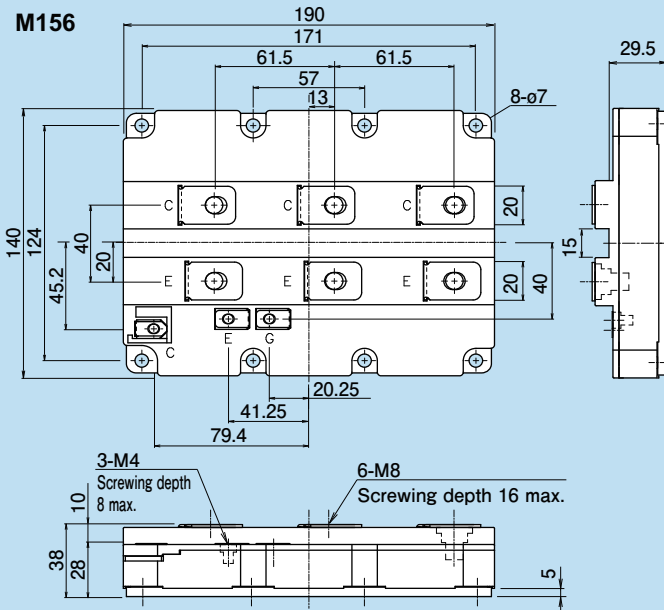


M155

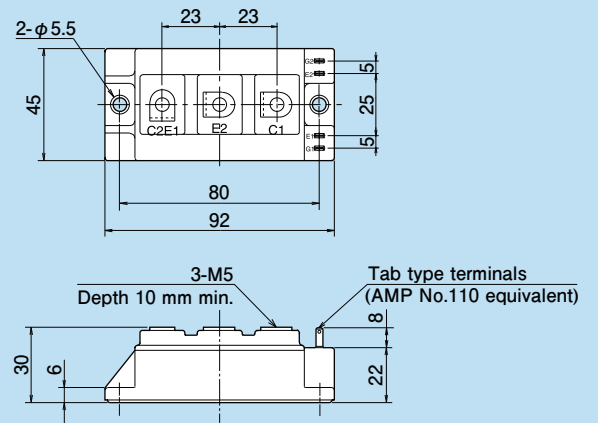


mm

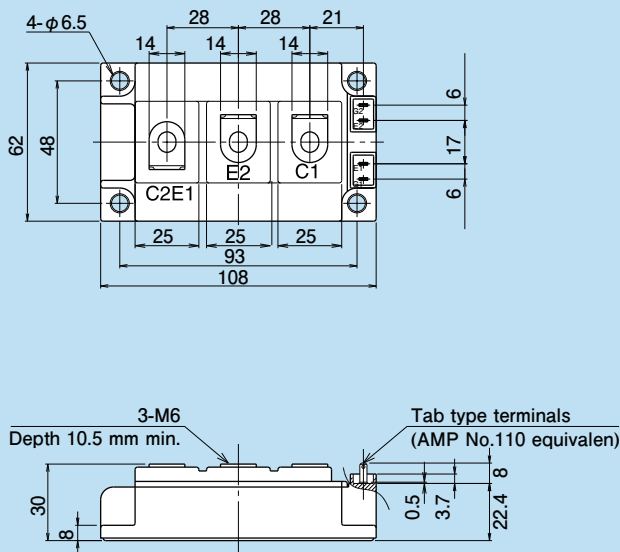
M156



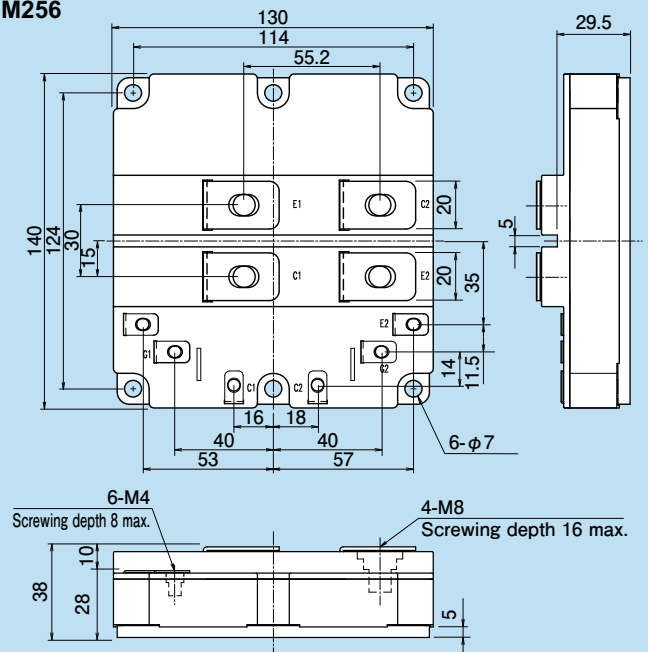
M233



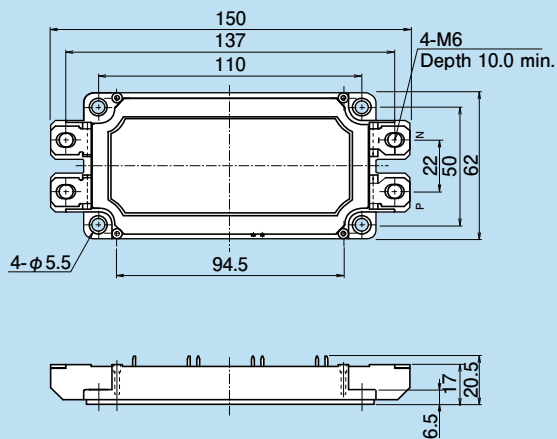
M249



M256



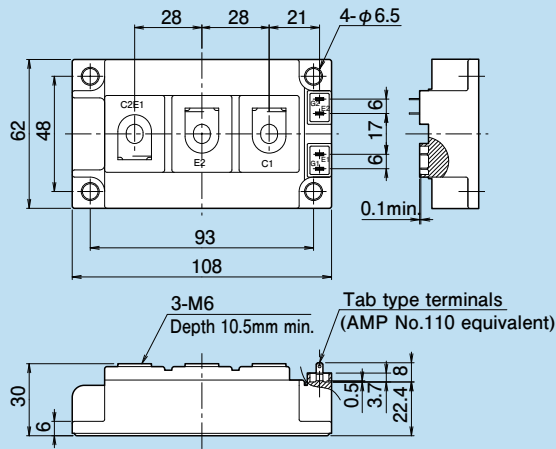
M254



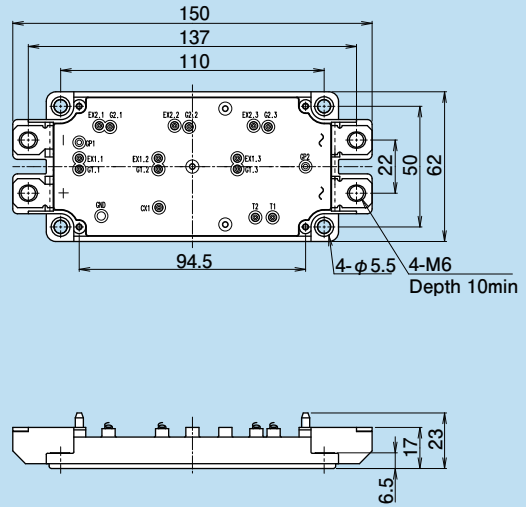
外形図/Outline

mm

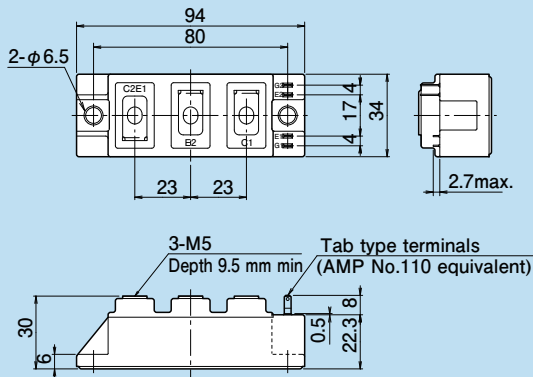
M259



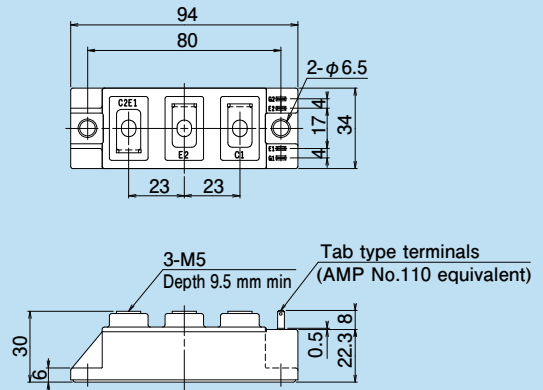
M260



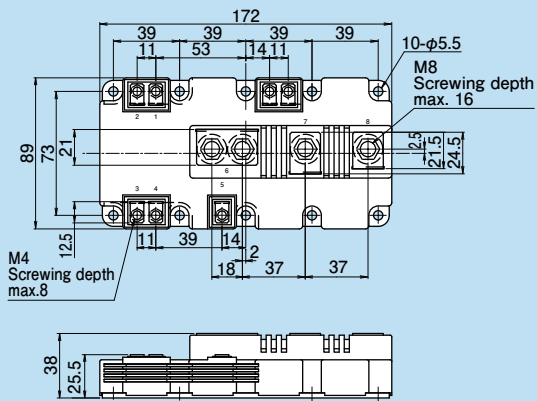
M262



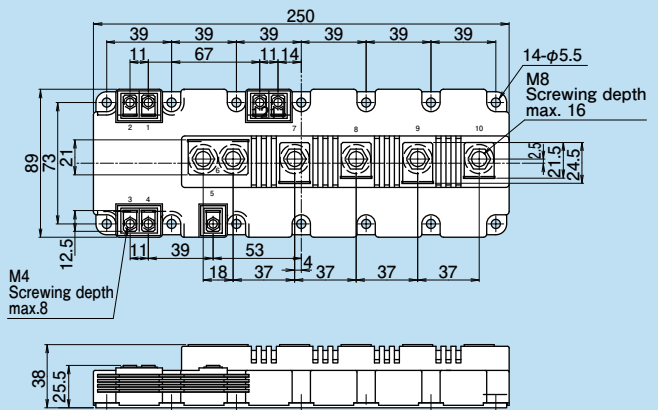
M263



M271



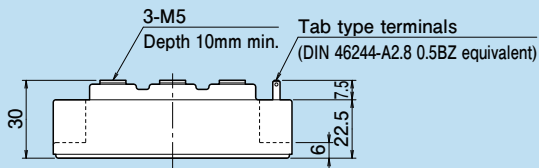
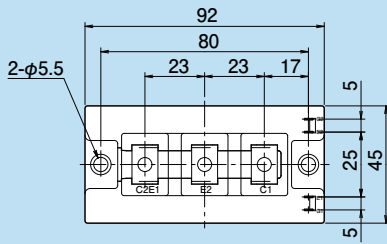
M272



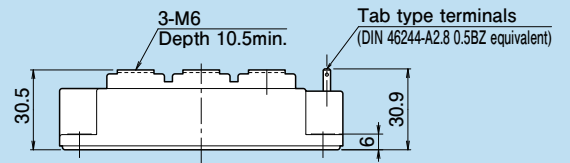
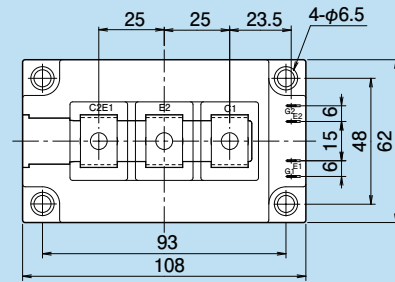
Outline

mm

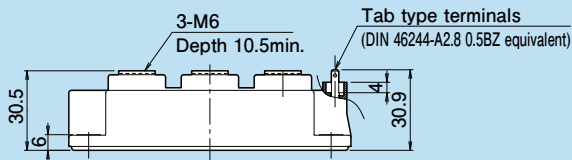
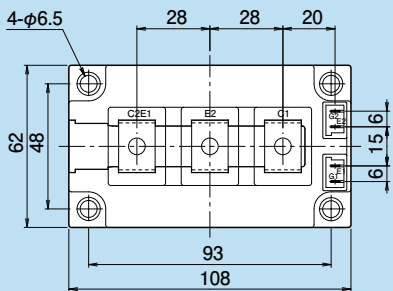
M274



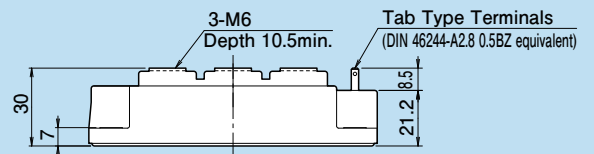
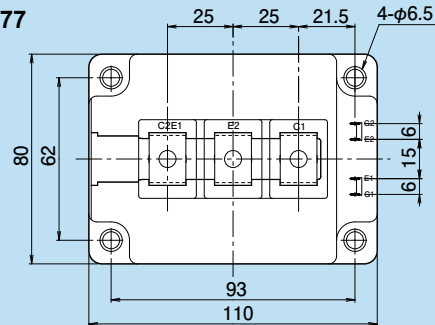
M275



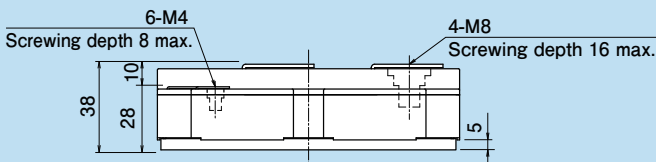
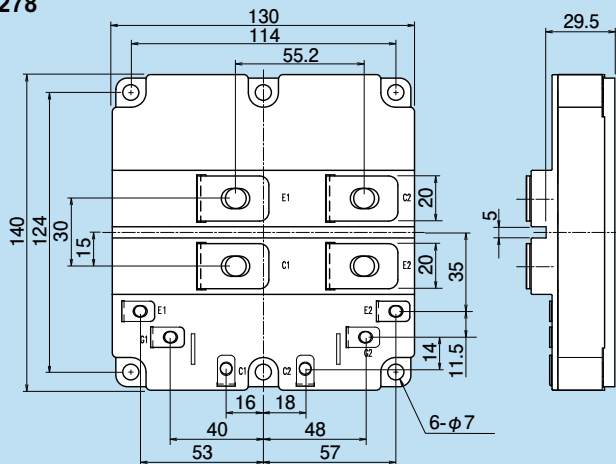
M276



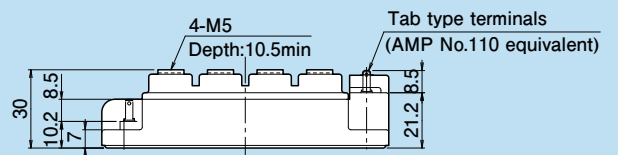
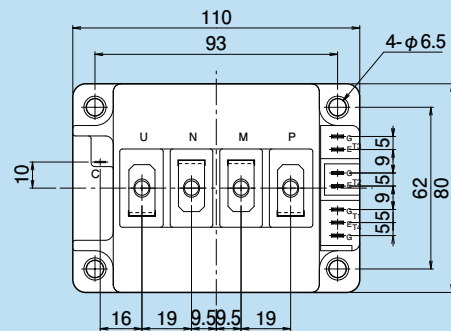
M277



M278



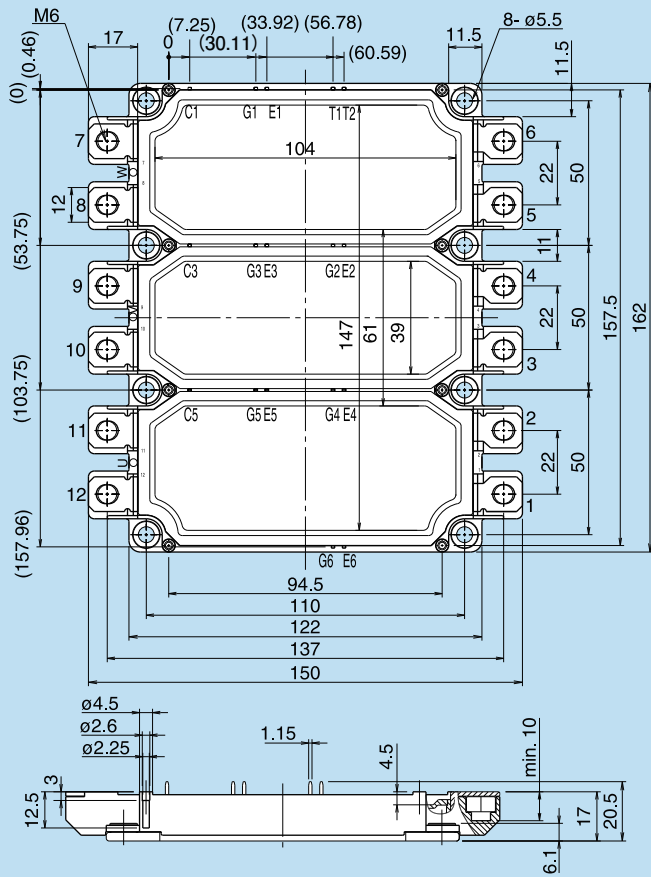
M403



外形図/Outline

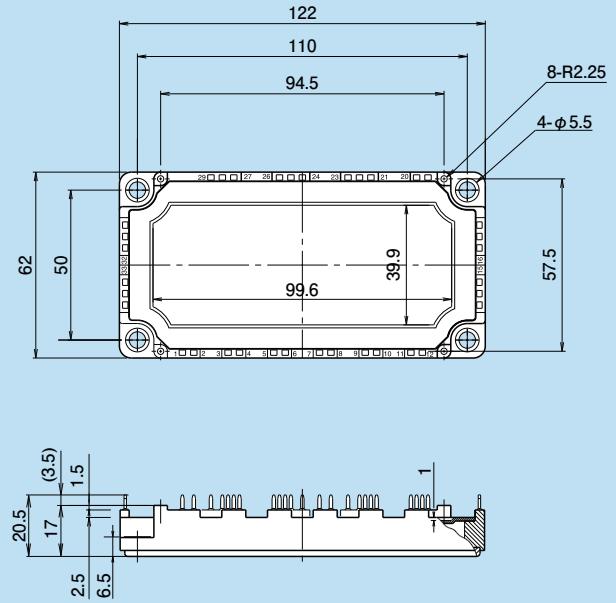
mm

M629

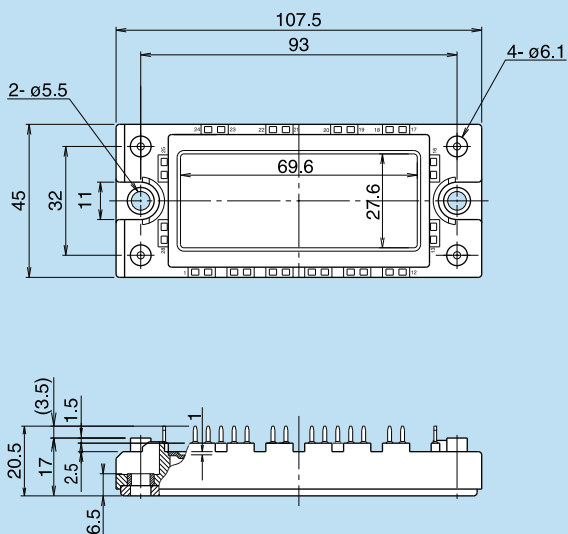


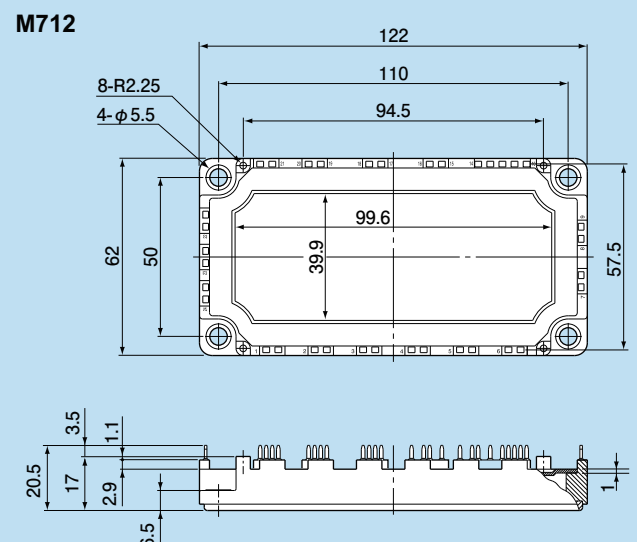
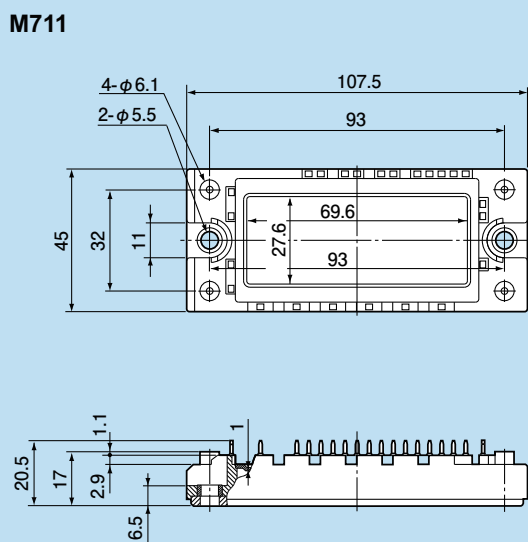
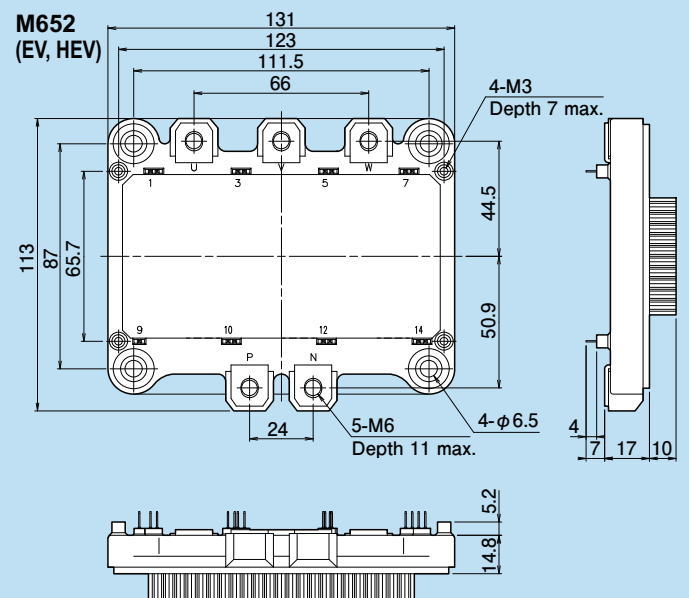
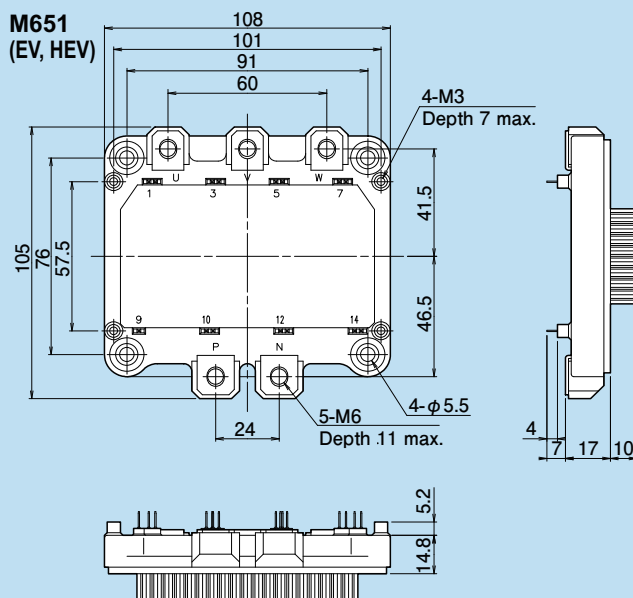
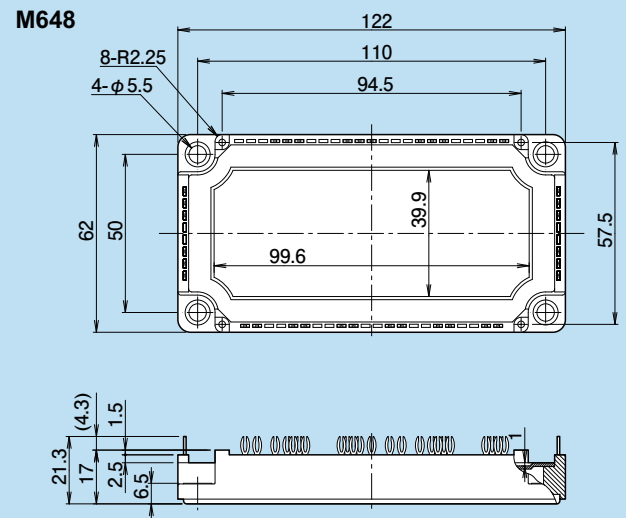
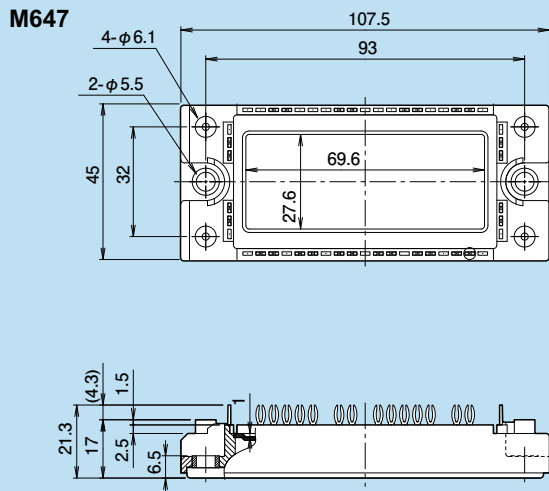
() : Theoretical dimensions, tolerance ± 0.5

M633



M636

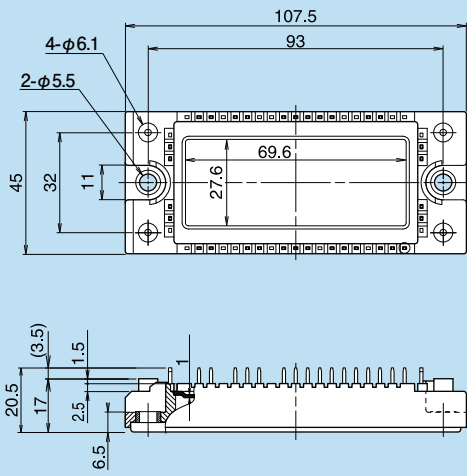




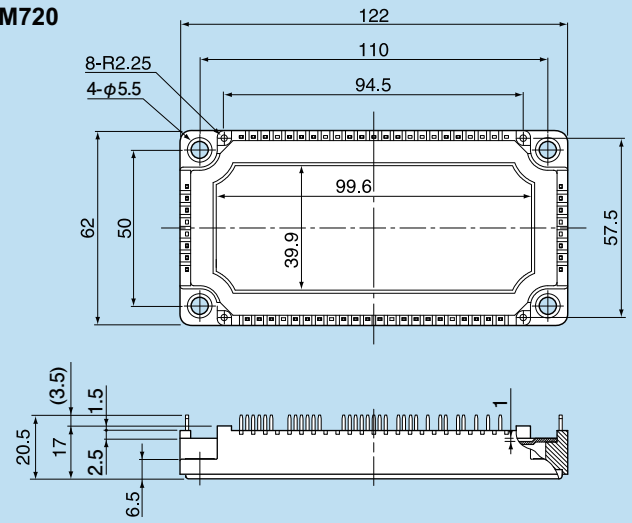
外形图/Outline

mm

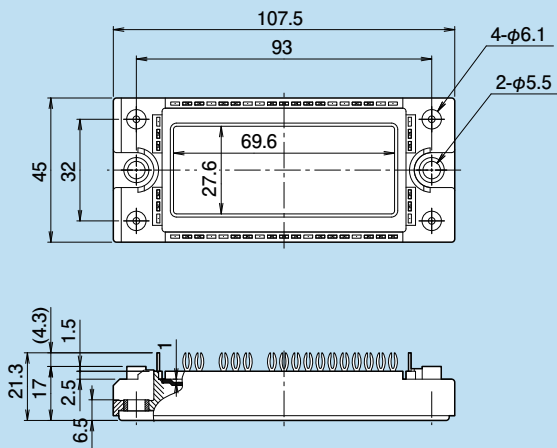
M719



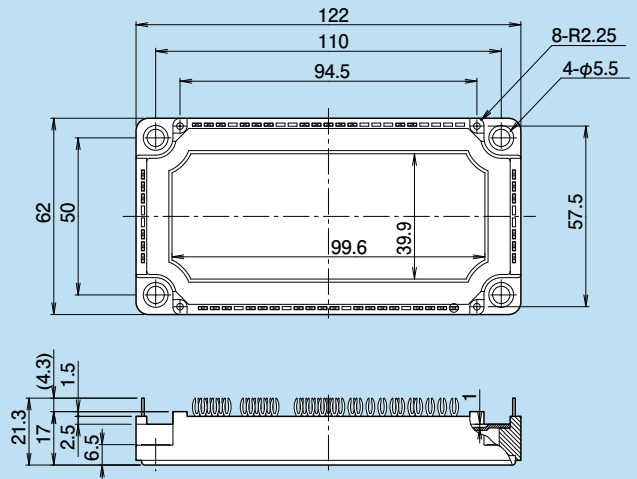
M720



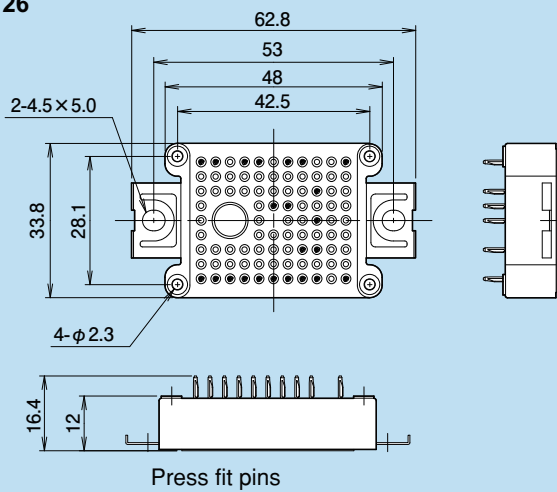
M721



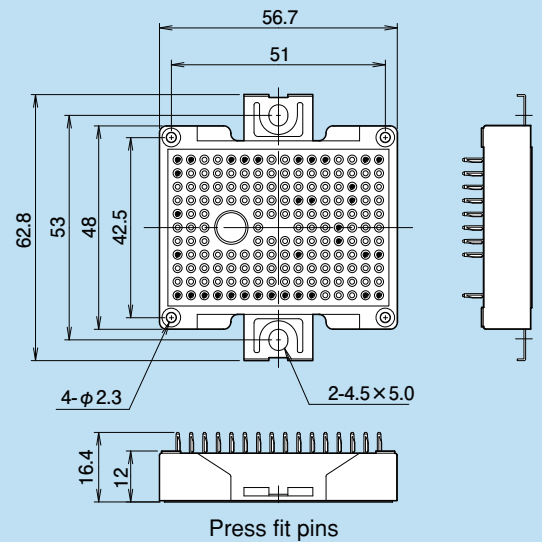
M722



M726



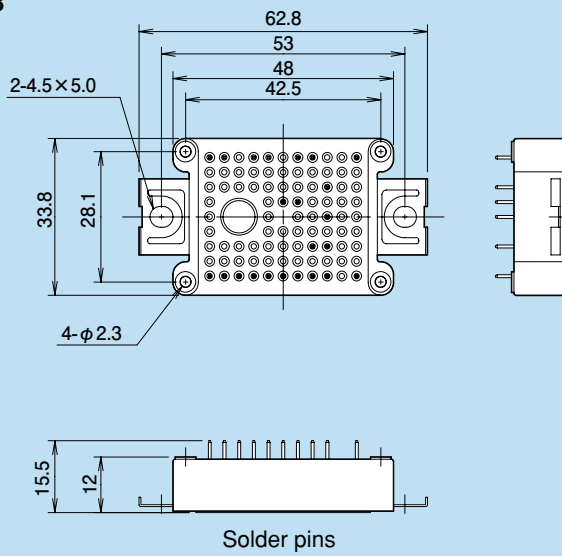
M727



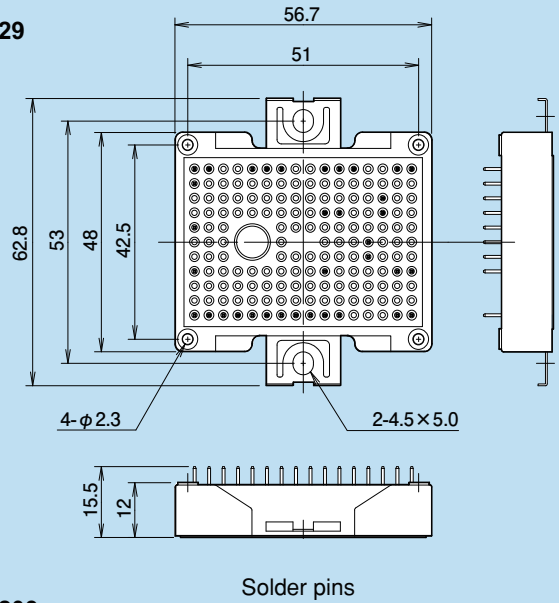
Outline

mm

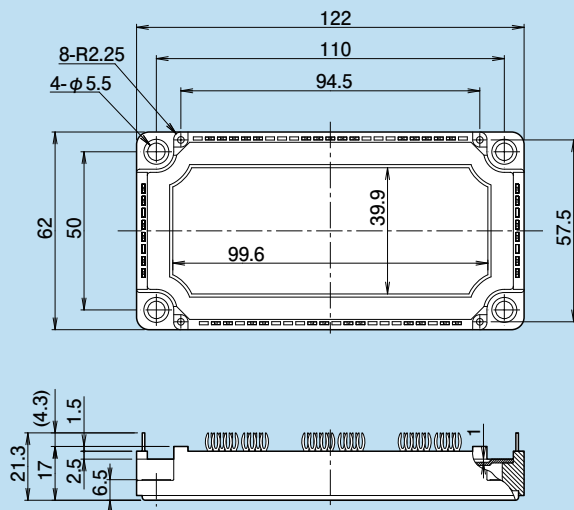
M728



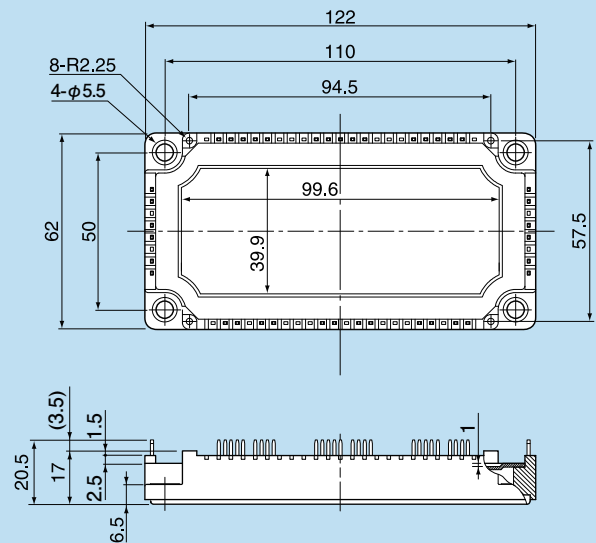
M729



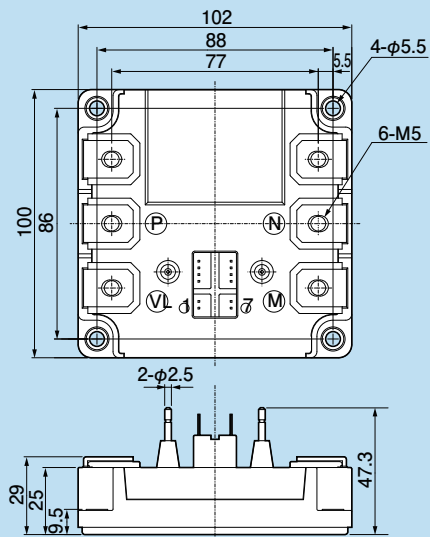
M1202



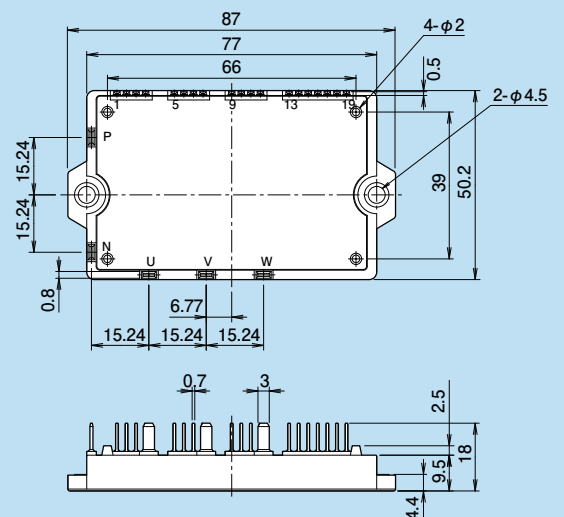
M1203



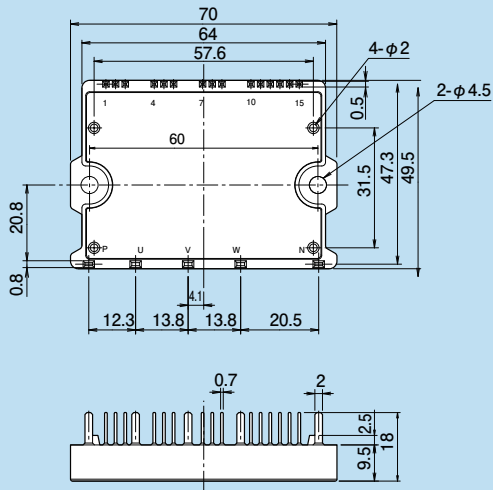
**P401
(EV, HEV)**



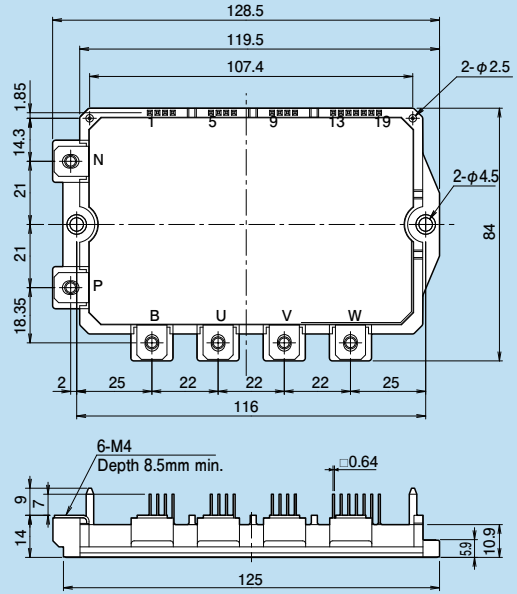
P626



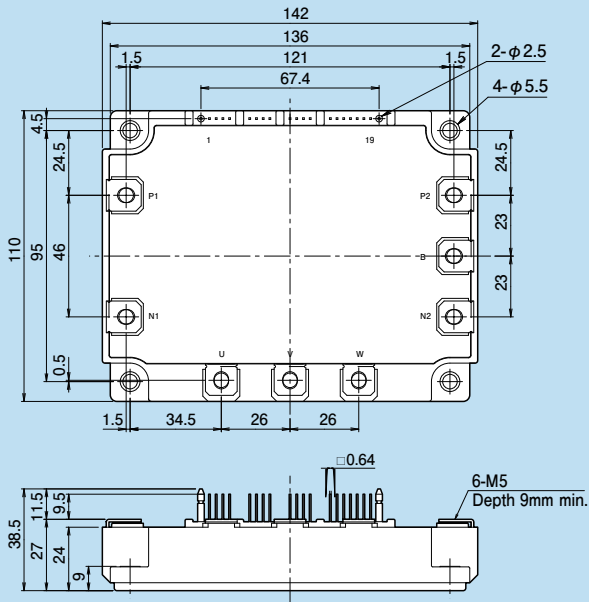
P629



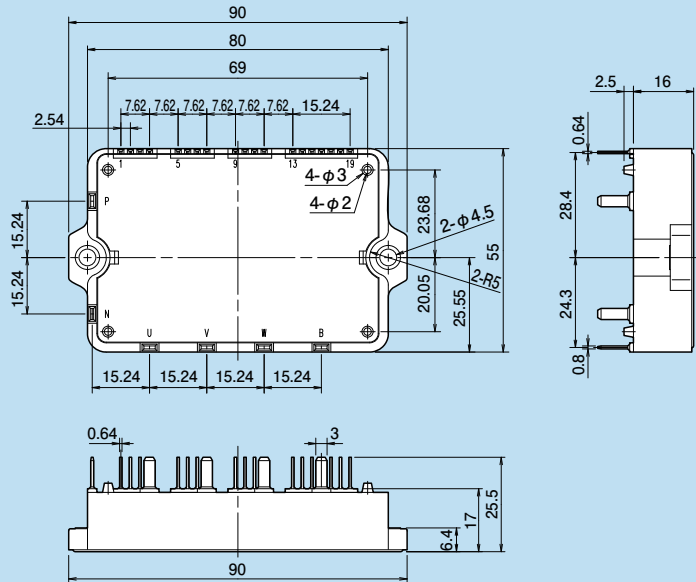
P630



P631

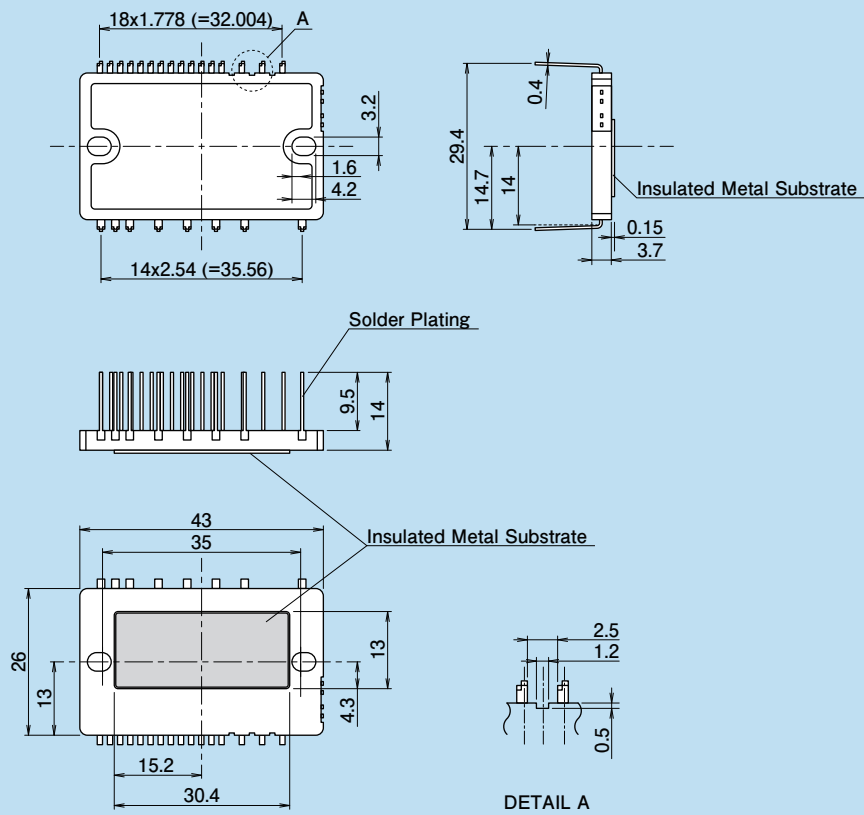


P636



mm

P633



P633A

