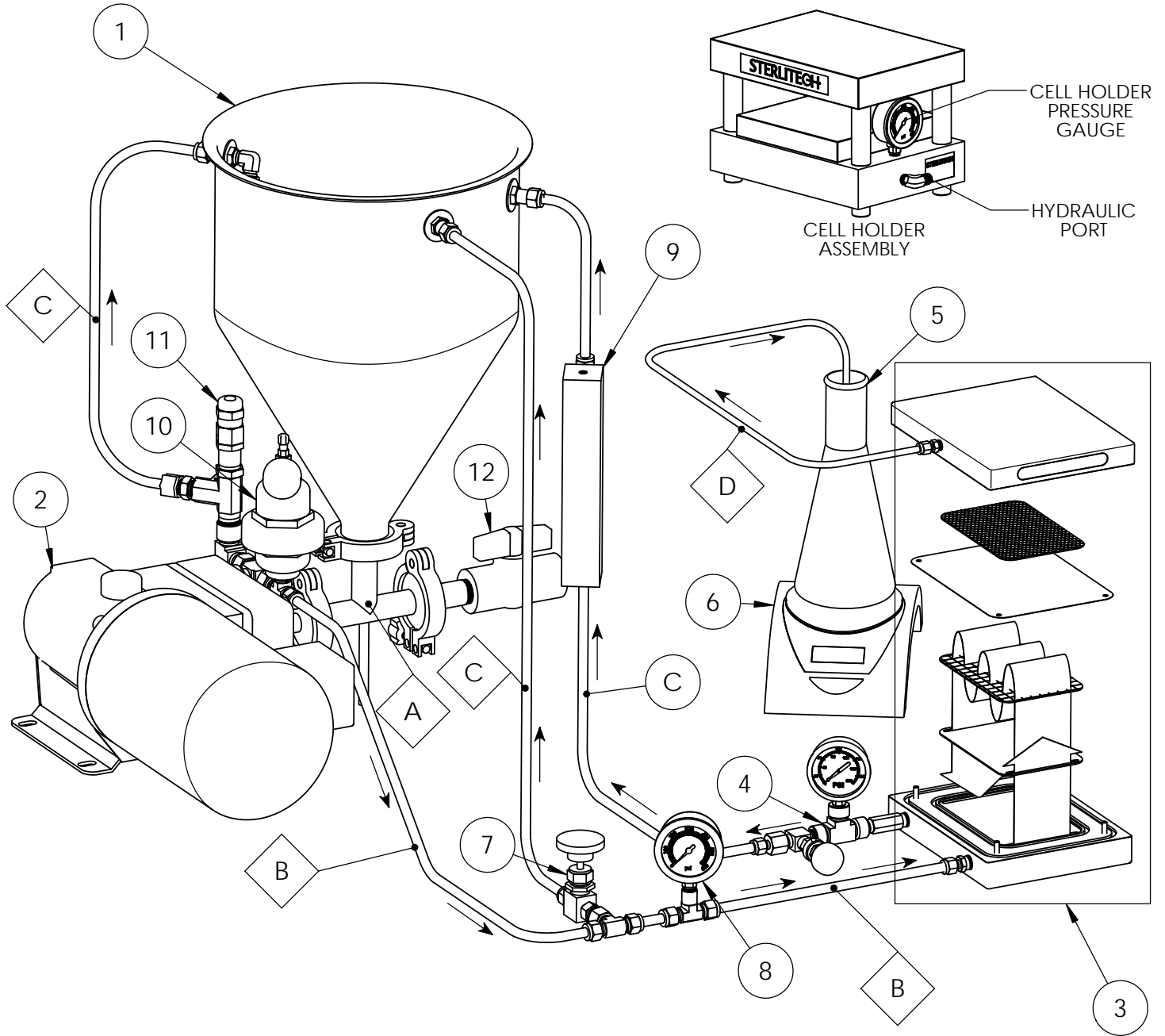


SEPA CF II 错流平板膜试验系统 (成套) 流程图



1	浓缩/加料罐 (1230066, 1.5 Gal. or 1230067, 5 Gal. S/S)
2	加料泵
3	SEPA CF II膜池
4	浓缩控制阀/表组件 (P/N 1149418)
5	渗透液收集容器 (Sterlitech不提供)
6	渗透液称重天平
7	旁流针形阀 (P/N 1149421)
8	压力表(P/N 1149420)
9	流量计 (P/N F-55376L)
10	脉动消除器 (P/N 110-065) Optional accessory
11	压力释放阀 (P/N 1149423)
12	排放阀, Feed Tank
A	泵入口线
B	3/8" Flex or Rigid Tubing (Sterlitech flex tubing P/N SepaHose)
C	3/8" Nylon Tubing Return Line
D	1/4" Nylon Tubing Permeate Output Line (Included)

STERLITECH CORPORATION
22027 - 70TH AVE S. KENT, WA 98032

**SEPA CF
BASIC SETUP
DIAGRAM**

FIGURE 3.2