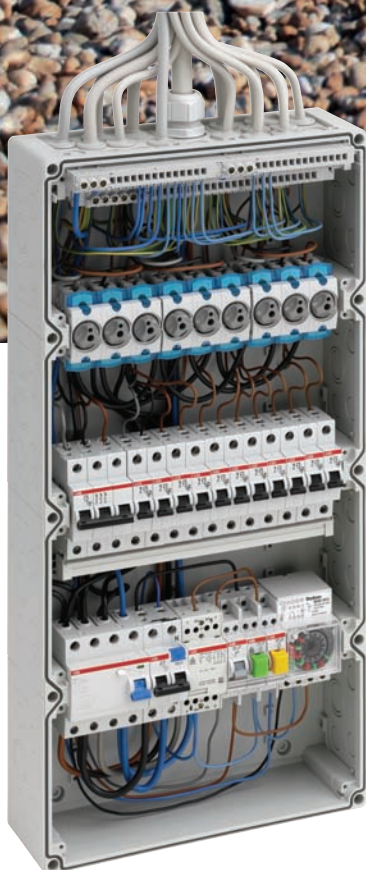
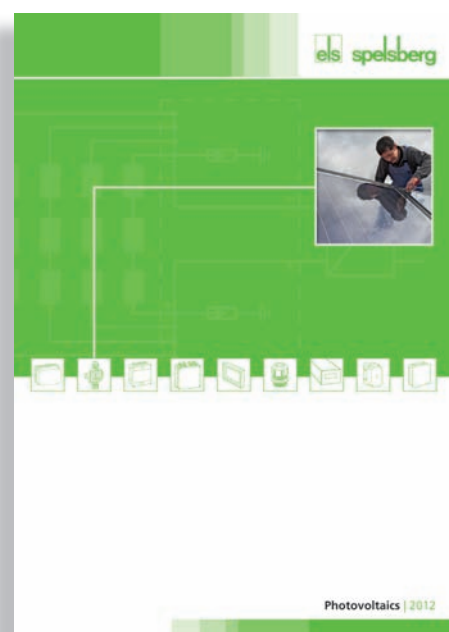


*Space for you!*













With a rail spacing of 150 millimetres, the AK series of small distributors provides plenty of space for wiring the installed devices. The screwless PE/N terminal rails also ensure safe and time-saving installation.

Products for photovoltaic installations can be found in our special catalogue.



## Distribution boards **AK** / AKi.

	Protection rating	Distribution units	Types	Page
	IP55	3 - 48 TE	IP 55 Distribution boards AKe	114-119
	IP65	3 - 24 TE	Distribution boards in compact design AK Compact	120-125
	IP65	3 - 24 TE	Industrial quality distribution boards in compact design AKi Compact	120-125
	IP65	14 - 70 TE	Distribution boards AK	126-131
	IP65	14 - 70 TE	Industrial quality distribution boards AKi	126-131
	IP65	14 - 56 TE	Distribution boards with extra connection space AK Plus	132-136
	IP65	14 - 56 TE	Industrial quality distribution boards with extra connection space AKi Plus	132-136
	General accessories for AK / AKi			138-145
	AK / AKi empty enclosures, see section on empty enclosures			362-375
	AKi meter housings, see section on meter housings			151-159



IQ - Industrial Quality

All -i products for use in an industrial environment are indicated by the grey background.



- Individual transparent doors can be lead sealed, blanking off of individual rows

- ▶ Including PE/N terminals
- ▶ Including stepped nipples for cable entry



## Distribution boards AKe.

### AKe 03

100 x 150 x 96 mm



Knock-out entries:  
top end:  
3 x M20  
Entries bottom end:  
2 x M20/M25  
Entries on each  
side:  
2 x M20  
Entries on floor:  
1 x M20

Description

Order No.

Packing Qty

Distribution board, 1 row, masking and labelling strips, insulating seals, additional stepped nipple

IP55



IK07



400V  
AC



**AKe 03**  
PE/N terminal 2x4-pole, 6/16 mm<sup>2</sup>

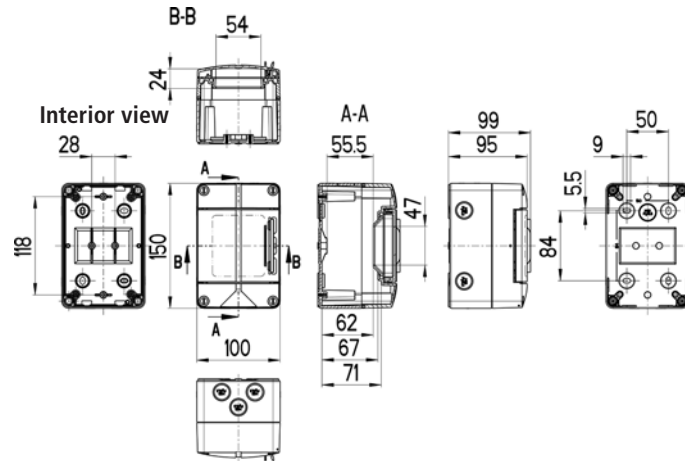
735 503 01

16/1

**AKe 03-L**  
without PE/N terminals

735 603 01

16/1



### AKe 05

125 x 200 x 122 mm



Knock-out entries:  
top/bottom end:  
4 x M20  
1 x M20/M25  
Entries on each  
side:  
2 x M20  
Entries on floor:  
1 x M20

Distribution board, 1 row, masking and labelling strips, insulating seals, additional stepped nipple

IP55



IK07



400V  
AC



**AKe 05**  
PE/N terminal 2x5-pole, 6/16 mm<sup>2</sup>

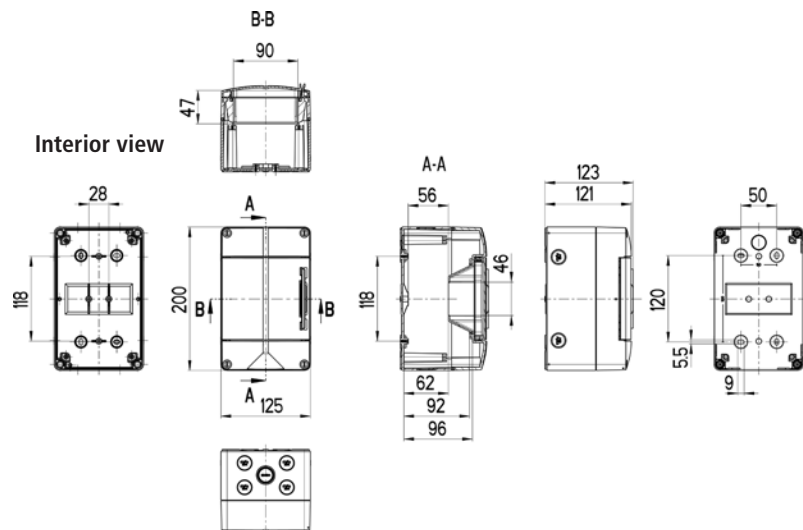
735 505 01

9/1

**AKe 05-L**  
without PE/N terminals

735 605 01

9/1



Distribution boards

### AKe 09

200 x 200 x 122 mm



Knock-out entries:  
top/bottom end:  
8 x M20  
1 x M25/M32  
Entries on each side:  
2 x M20  
Entries on floor:  
1 x M20/M25

Description

Order No.

Packing Qty

Distribution board, 1 row, masking and labelling strips, insulating seals, additional stepped nipple

IP55



IK07



400V AC



**AKe 09**  
PE/N terminal 2x7-pole, 6/16 mm<sup>2</sup>

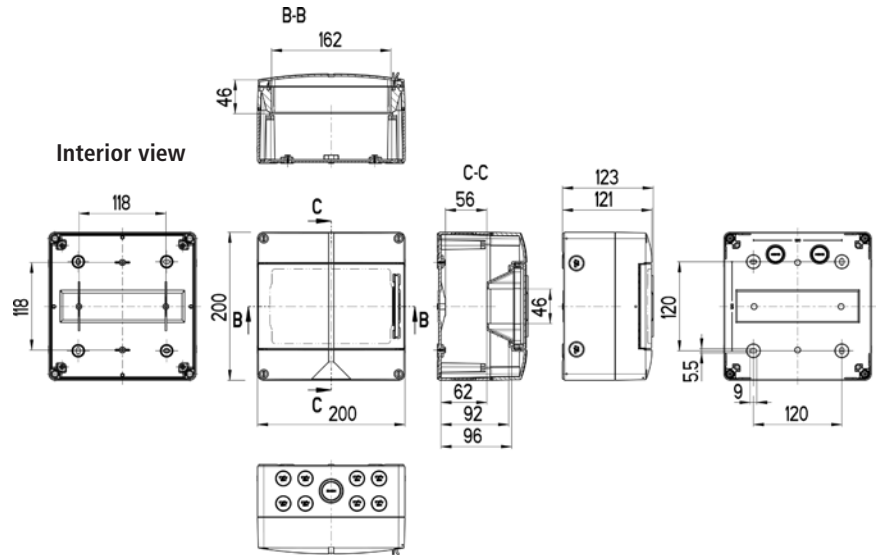
735 509 01

6/1

**AKe 09-L**  
without PE/N terminals

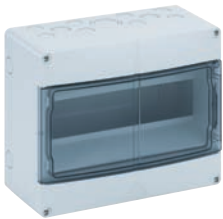
735 609 01

6/1



### AKe 12

250 x 200 x 122 mm



Knock-out entries:  
top/bottom end:  
8 x M20  
2 x M20/M25  
1 x M32/M40  
Entries on each side:  
2 x M20  
Entries on floor:  
2 x M20/M25

Distribution board, 1 row, masking and labelling strips, insulating seals, additional stepped nipple

IP55



IK07



400V AC



**AKe 12**  
PE/N terminal 2x12-pole, 6/16 mm<sup>2</sup>

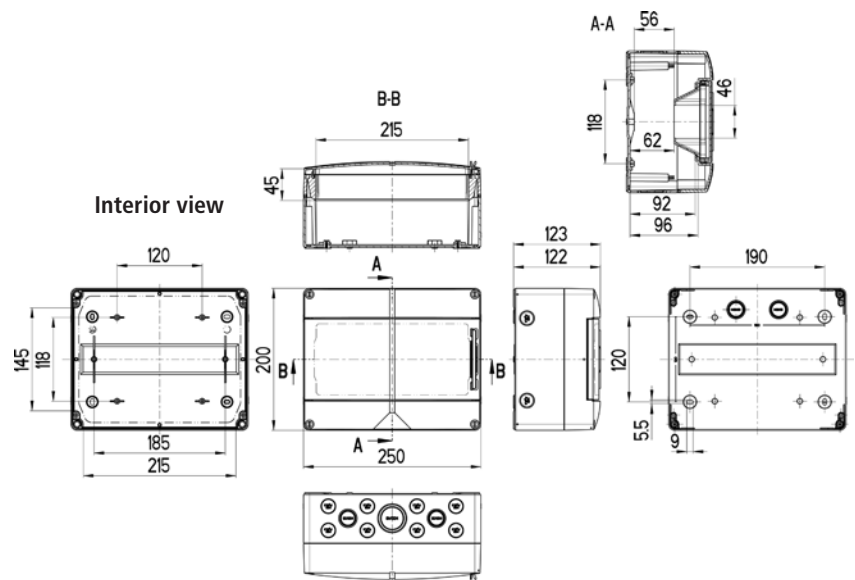
735 512 01

4/1

**AKe 12-L**  
without PE/N terminals

735 612 01

4/1



## AKe 24

250 x 370 x 122 mm



Knock-out entries:  
top/bottom end:  
8 x M20  
2 x M20/M25  
1 x M32/M40  
Entries on each side:  
8 x M20  
2 x M32/M40  
Entries on floor:  
2 x M20/M25

Description

Order No.

Packing Qty

Distribution board, 2 row, 150 mm rail spacing, masking and labelling strips, insulating seals, additional stepped nipple

IP55



IK07



400V AC



**AKe 24**  
PE/N terminal 2 x 16-pole, 6/16 mm<sup>2</sup>

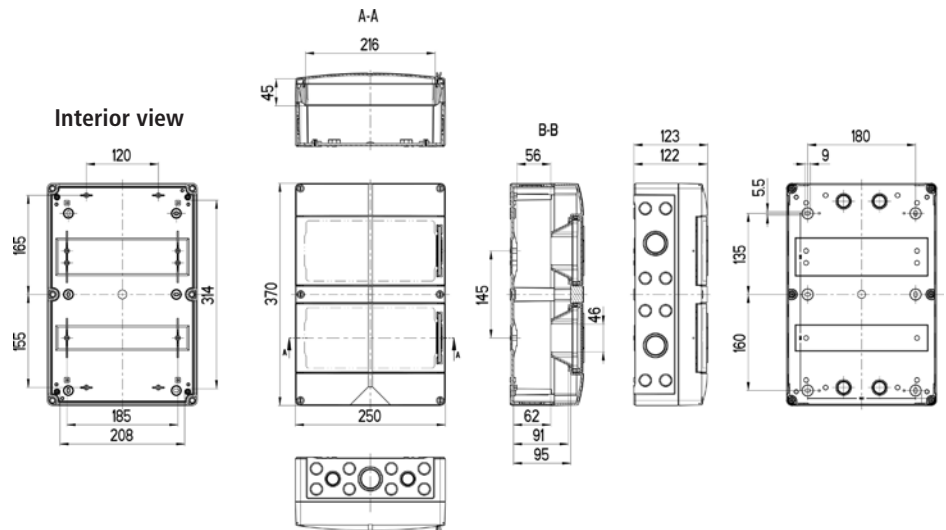
735 724 01

1/1

**AKe 24-L**  
without PE/N terminals

735 824 01

1/1



Distribution boards

## AKe 36

300 x 600 x 142 mm



Knock-out entries:  
top end:  
17 x M20  
2 x M20/M25  
1 x M32/M40  
Entries on each side:  
16 x M20  
4 x M25/M32  
Entries bottom end:  
15 x M20  
2 x M20/M25  
1 x M32/M40

Distribution board, 3 row, 150 mm rail spacing, masking and labelling strips, insulating seals, additional stepped nipple

IP55



IK07



400V AC



**AKe 36**  
PE/N terminal 2 x 25-pole, 6/16/25mm<sup>2</sup>

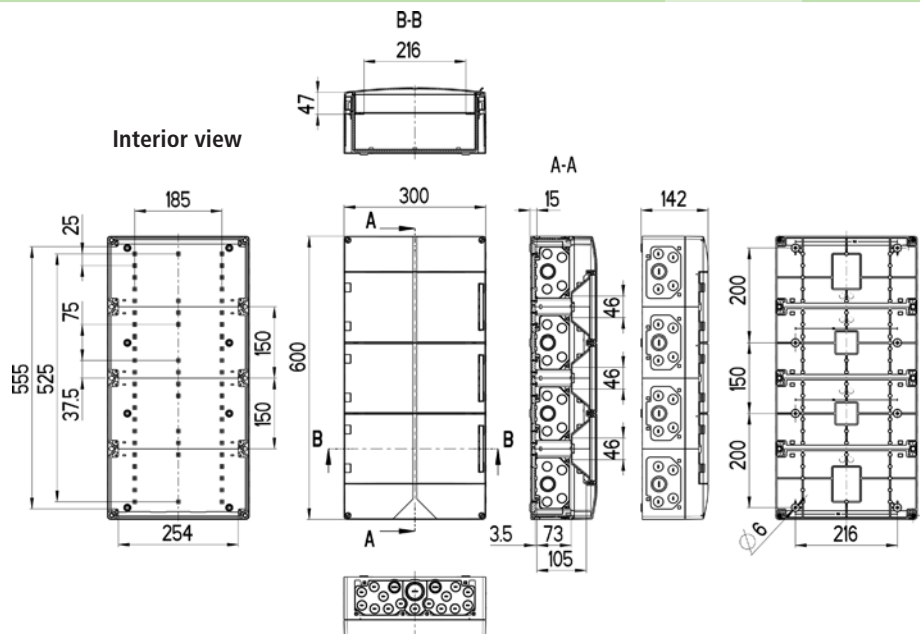
735 536 01

1/1

**AKe 36-L**  
without PE/N terminals

735 636 01

1/1



**AKe 48**  
300 x 750 x 142 mm



Knock-out entries:  
top end:  
17 x M20  
2 x M20/M25  
1 x M32/M40  
Entries on each side:  
20 x M20  
5 x M20/M25  
Entries bottom end:  
15 x M20  
2 x M20/M25  
1 x M32/M40

Description

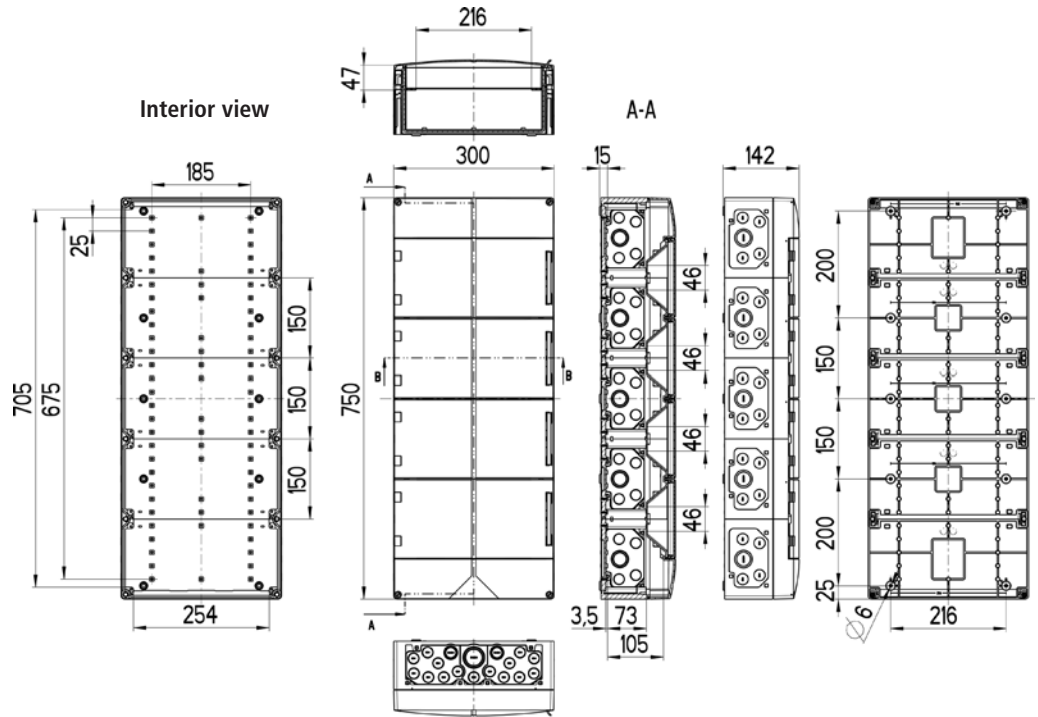
Order No.

Packing Qty

Distribution board, 4 row, 150 mm rail spacing, masking and labelling strips, insulating seals, additional stepped nipple



<b>AKe 48</b> PE/N terminal 2 x 25-pole, 6/16/25mm <sup>2</sup>	735 548 01	1/1
<b>AKe 48-L</b> without PE/N terminals	735 648 01	1/1









- ▶ Quick installation thanks to patented sealing membranes
- ▶▶ Special designs on request
- ▶▶▶ Cylinder lock can be installed later
  
- ▶ Simple combination options




Industrial Quality

**Distribution boards AK / AKi Compact.**

### AK 03

100 x 150 x 96 mm



Description

Order No.

Packing Qty

Distribution board, 3 modules, PE/N terminal, with each 1 clamping point 16 mm<sup>2</sup>, 3 clamping points 6 mm<sup>2</sup>, 3 elastic entries on top, masking and labelling strips, insulating seals, additional double-membrane seals



Entries top end:  
3 x M20  
Entries bottom end:  
2 x M20/M25  
Entries on each side:  
2 x M20  
Entries on floor:  
1 x M20

AK 03	735 403 01	16/1
-------	------------	------

### AKi 03

100 x 150 x 96 mm

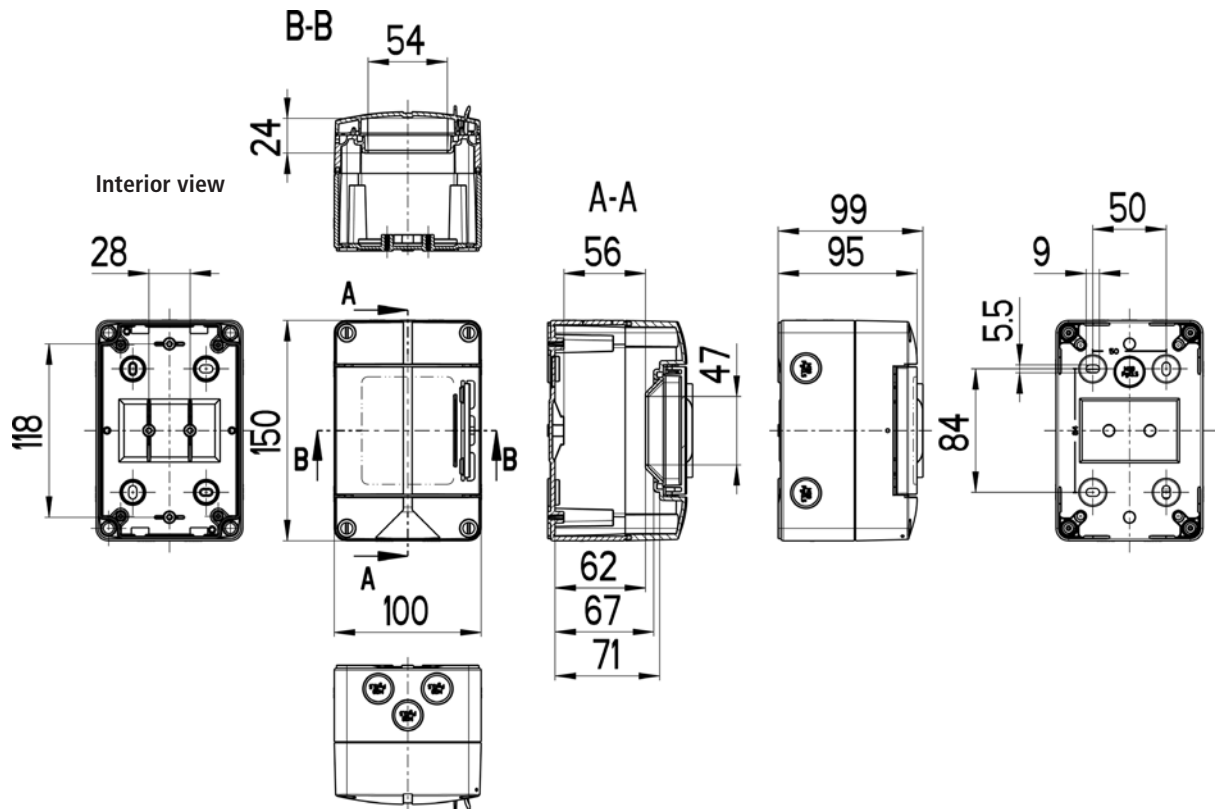


Distribution board - Industrial Quality -, 3 modules, PE/N terminal, with each 1 clamping point 16 mm<sup>2</sup>, 3 clamping points 6 mm<sup>2</sup>, 3 elastic entries on top, masking and labelling strips, insulating seals, additional double-membrane seals



Entries top end:  
3 x M20  
Entries bottom end:  
2 x M20/M25  
Entries on each side:  
2 x M20  
Entries on floor:  
1 x M20

AKi 03	736 403 01	16/1
--------	------------	------



Distribution boards

### AK 05

125 x 200 x 122 mm



Entries end:  
4 x M20  
1 x M20/M25  
Entries on each side:  
2 x M20  
Entries on floor:  
1 x M20

Description

Order No.

Packing Qty

Distribution board, 5 modules, PE/N terminal, with each 2 clamping points 16 mm<sup>2</sup>, 3 clamping points 6 mm<sup>2</sup>, 4 elastic entries on top, masking and labelling strips, insulating seals, additional double-membrane seals



AK 05	735 405 01	9/1
-------	------------	-----

### AKi 05

125 x 200 x 122 mm

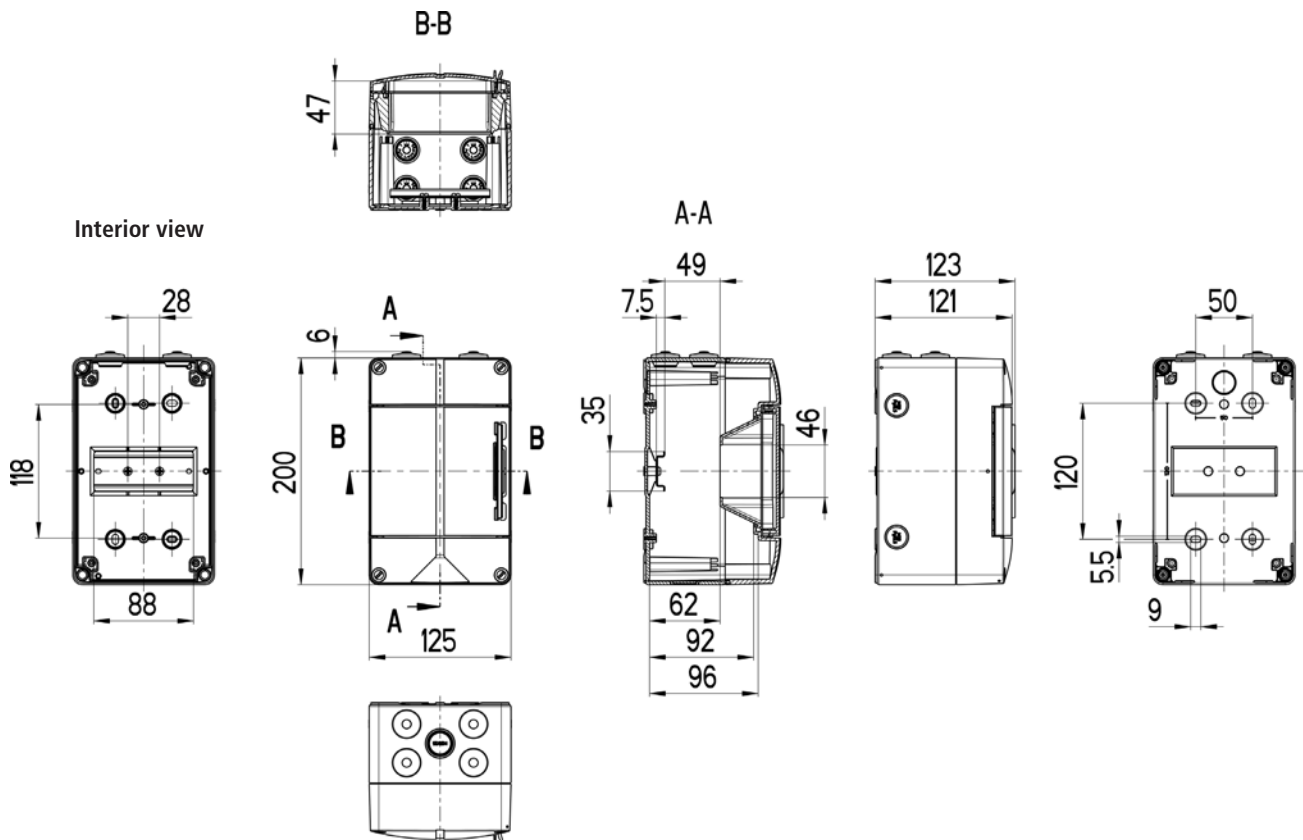


Entries end:  
4 x M20  
1 x M20/M25  
Entries on each side:  
2 x M20  
Entries on floor:  
1 x M20

Distribution board - Industrial Quality -, 5 modules, PE/N terminal, with each 2 clamping points 16 mm<sup>2</sup>, 3 clamping points 6 mm<sup>2</sup>, 4 elastic entries on top, masking and labelling strips, insulating seals, additional double-membrane seals



AKi 05	736 405 01	9/1
--------	------------	-----



### AK 09

200 x 200 x 122 mm



Entries end:  
8 x M20  
1 x M25/M32  
Entries on each side:  
2 x M20  
Entries on floor:  
2 x M20/M25

Description

Order No.

Packing Qty

Distribution board, 9 modules, PE/N terminal, with each 2 clamping points 16 mm<sup>2</sup>, 5 clamping points 6 mm<sup>2</sup>, 6 elastic entries on top, masking and labelling strips, insulating seals, additional double-membrane seals



AK 09	735 409 01	6/1
-------	------------	-----

### AKi 09

200 x 200 x 122 mm



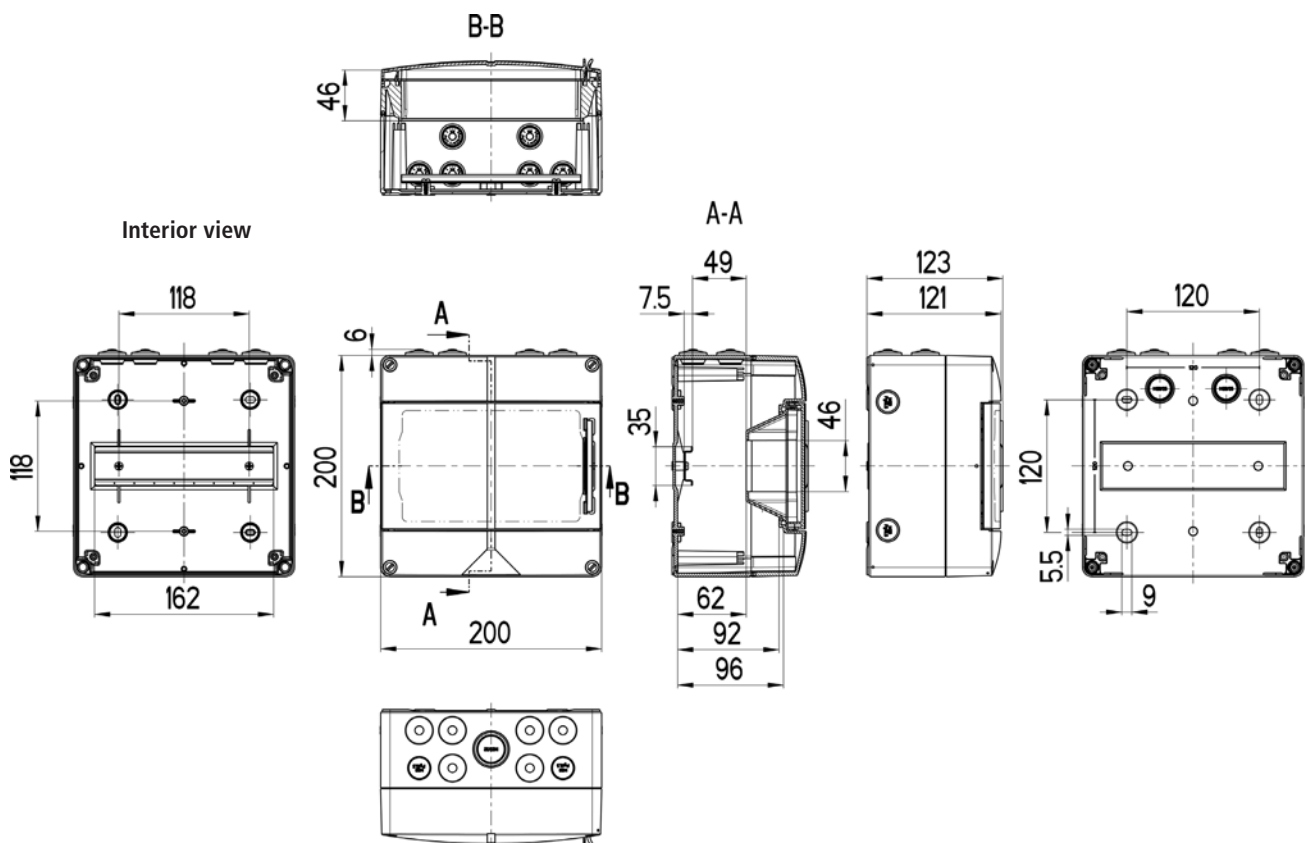
Entries end:  
8 x M20  
1 x M25/M32  
Entries on each side:  
2 x M20  
Entries on floor:  
2 x M20/M25

Distribution board - Industrial Quality -, 9 modules, PE/N terminal, with each 2 clamping points 16 mm<sup>2</sup>, 5 clamping points 6 mm<sup>2</sup>, 6 elastic entries on top, masking and labelling strips, insulating seals, additional double-membrane seals



AKi 09	736 409 01	6/1
--------	------------	-----

Distribution boards



### AK 12

250 x 200 x 122 mm



Entries end:  
8 x M20  
2 x M20/M25  
1 x M32/M40  
Entries on each side:  
2 x M20  
Entries on floor:  
2 x M20/M25

Description

Order No.

Packing Qty

Distribution board, 12 modules, PE/N terminal, with each 2 clamping points 16 mm<sup>2</sup>, 10 clamping points 6 mm<sup>2</sup>, 8 elastic entries on top, masking and labelling strips, insulating seals, additional double-membrane seals



AK 12

735 412 01

4/1

### AKi 12

250 x 200 x 122 mm



Entries end:  
8 x M20  
2 x M20/M25  
1 x M32/M40  
Entries on each side:  
2 x M20  
Entries on floor:  
2 x M20/M25

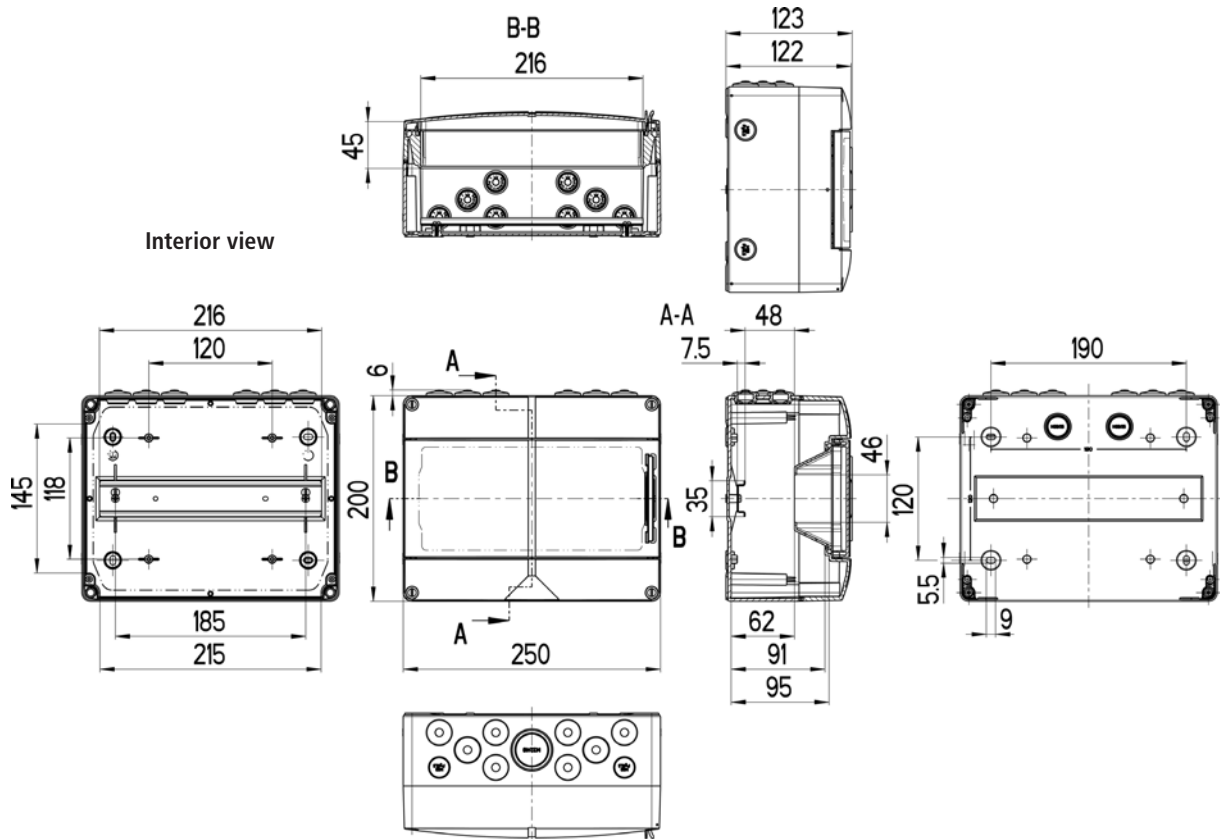
Distribution board - Industrial Quality -, 12 modules, PE/N terminal, with each 2 clamping points 16 mm<sup>2</sup>, 10 clamping points 6 mm<sup>2</sup>, 8 elastic entries on top, masking and labelling strips, insulating seals, additional double-membrane seals



AKi 12

736 412 01

4/1



## AK 24

250 x 370 x 122 mm



Entries end:  
8 x M20  
2 x M20/M25  
1 x M32/M40  
Entries on each side:  
8 x M20  
2 x M32/M40  
Entries on floor:  
4 x M20/M25

Description

Order No.

Packing Qty

Distribution board, 24 modules, PE/N terminal, with each 2 clamping points 16 mm<sup>2</sup>, 14 clamping points 6 mm<sup>2</sup>, 8 elastic entries on top, masking and labelling strips, insulating seals, additional double-membrane seals

IP65



IK07



400V AC



AK 24

735 424 01

2/1

## AKi 24

250 x 370 x 122 mm



Entries end:  
8 x M20  
2 x M20/M25  
1 x M32/M40  
Entries on each side:  
8 x M20  
2 x M32/M40  
Entries on floor:  
4 x M20/M25

Distribution board - Industrial Quality -, 24 modules, PE/N terminal, with each 2 clamping points 16 mm<sup>2</sup>, 14 clamping points 6 mm<sup>2</sup>, 8 elastic entries on top, masking and labelling strips, insulating seals, additional double-membrane seals

IP65



IK08



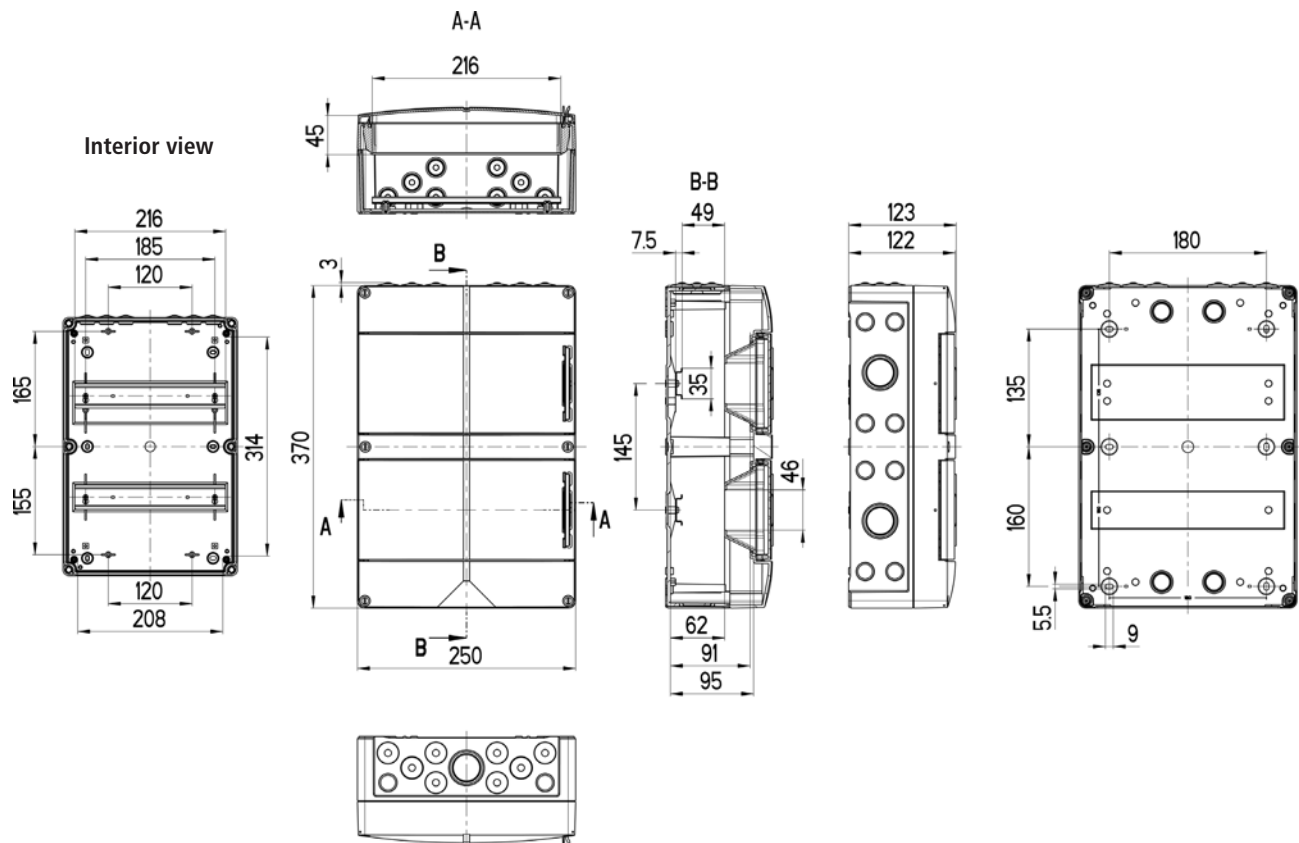
400V AC

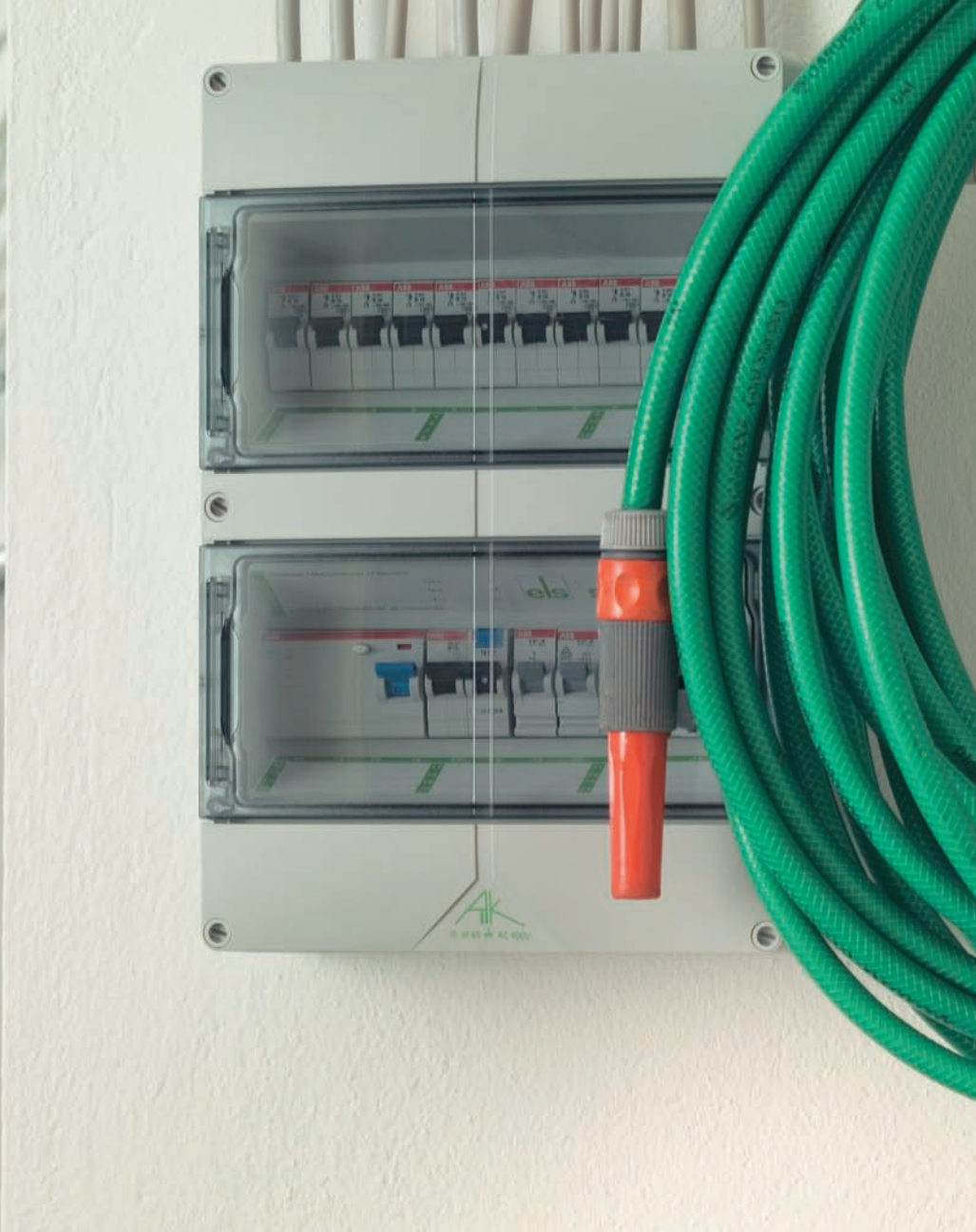


AKi 24

736 424 01

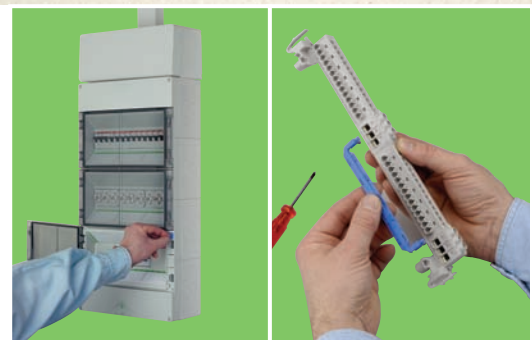
2/1





- Easy knocking out of pre-embossed side walls
- Screwless PE/N terminal rail
- Includes cable cover with hinged document compartment
- Combination connectors included with the system

- ▶ With the lock bolt set, several switch rows can be locked securely with just one lock
- ▶▶ Simple division of the N terminal rail into two N potentials (from AK 28)
- ▶ Can be combined horizontally and vertically up to protection class IP 65



							Industrial Quality

## Distribution boards **AK** / AKi.

### AK 14

300 x 300 x 142 mm



Entries top end:  
17 x M20  
2 x M20/M25  
1 x M32/M40  
Entries bottom end:  
15 x M20  
2 x M20/M25  
1 x M32/M40  
Entries on each side:  
8 x M20  
2 x M25/M32

Description

Order No.

Packing Qty

Distribution board, 1 row, 14 modules, screwless PE/N terminal rails each with 3 screwable clamping points, 2.5 - 16 mm<sup>2</sup>, 14 screwless clamping points, 1.5 - 4 mm<sup>2</sup>, elastic entries on top, with cable covering, masking and labelling strips, additional double-membrane seals and other accessories



AK 14	735 414 01	1/1
-------	------------	-----

### AKi 14

300 x 300 x 142 mm

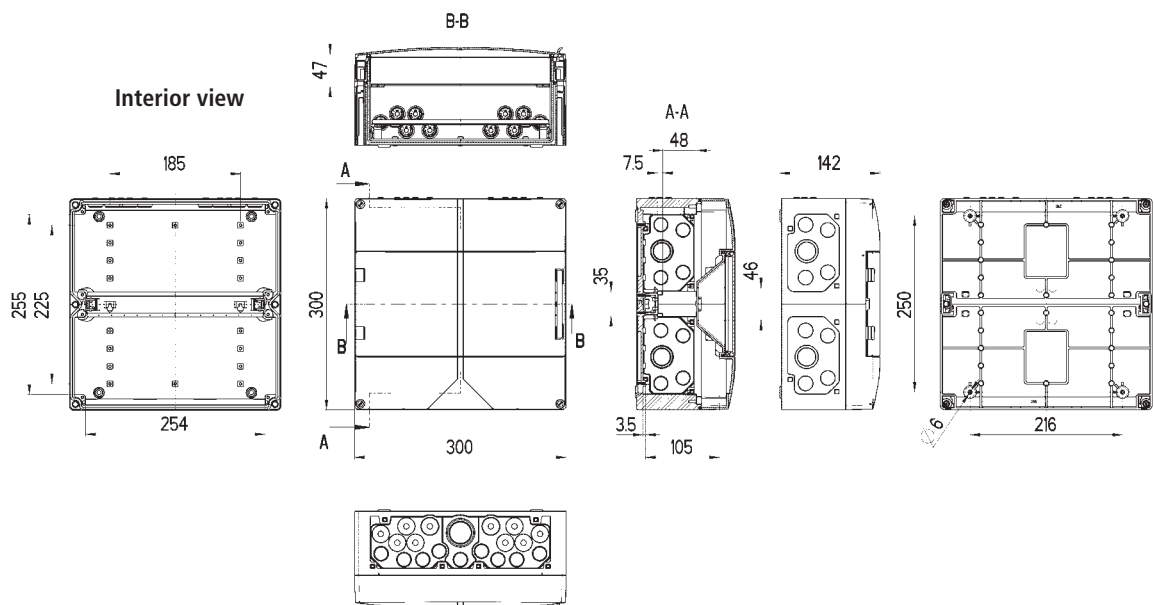


Entries top end:  
17 x M20  
2 x M20/M25  
1 x M32/M40  
Entries bottom end:  
15 x M20  
2 x M20/M25  
1 x M32/M40  
Entries on each side:  
8 x M20  
2 x M25/M32

Distribution board - Industrial Quality - 1 row, 14 modules, screwless PE/N terminal rails each with 3 screwable clamping points, 2.5 - 16 mm<sup>2</sup>, 14 screwless clamping points, 1.5 - 4 mm<sup>2</sup>, elastic entries on top, with cable covering, masking and labelling strips, additional double-membrane seals and other accessories



AKi 14	736 414 01	1/1
--------	------------	-----



Distribution boards



### AK 28

300 x 450 x 142 mm



Entries top end:  
17 x M20  
2 x M20/M25  
1 x M32/M40  
Entries bottom end:  
15 x M20  
2 x M20/M25  
1 x M32/M40  
Entries on each side:  
12 x M20  
3 x M25/M32

Description

Order No.

Packing Qty

Distribution board, 2 row, 28 modules, 150 mm rail spacing, screwless PE/N terminal rails each with 6 screwable clamping points, 2.5 - 16 mm<sup>2</sup>, 21 screwless clamping points 1.5 mm<sup>2</sup> - 4 mm<sup>2</sup>, elastic entries on top, with cable covering, masking and labelling strips, additional double-membrane seals and other accessories



AK 28	735 428 01	1/1
-------	------------	-----

### AKi 28

300 x 450 x 142 mm

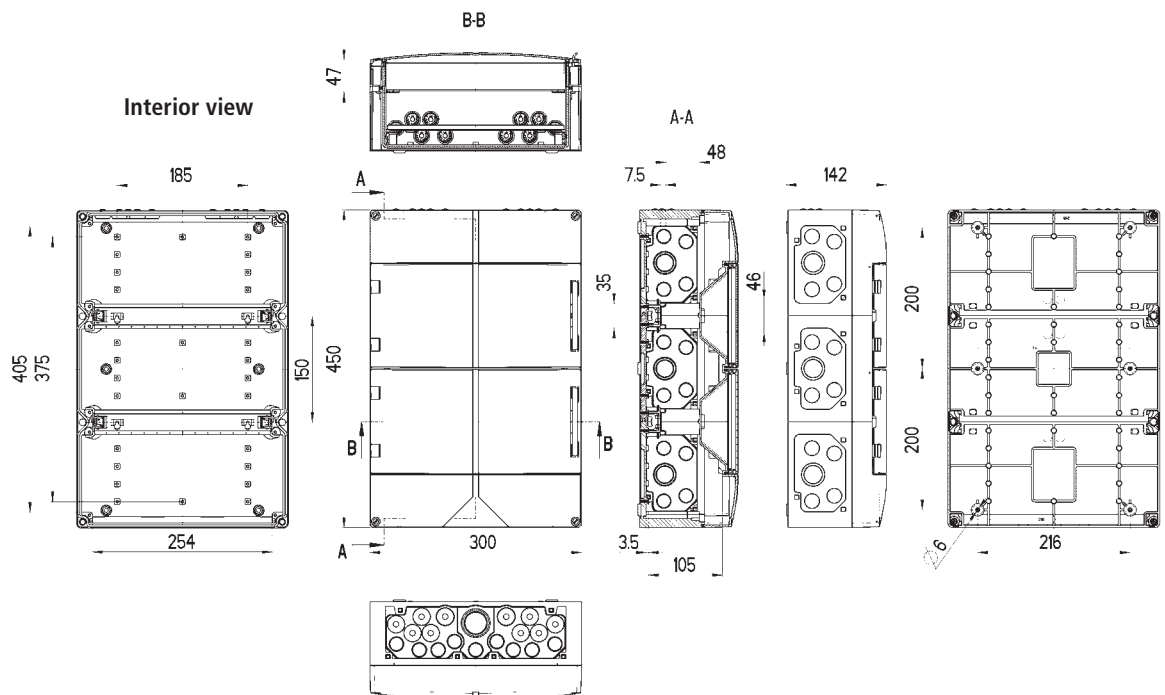


Entries top end:  
17 x M20  
2 x M20/M25  
1 x M32/M40  
Entries bottom end:  
15 x M20  
2 x M20/M25  
1 x M32/M40  
Entries on each side:  
12 x M20  
3 x M25/M32

Distribution board - Industrial Quality - 2 row, 28 modules, 150 mm rail spacing, screwless PE/N terminal rails each with 6 screwable clamping points, 2.5 - 16 mm<sup>2</sup>, 21 screwless clamping points 1.5 mm<sup>2</sup> - 4 mm<sup>2</sup>, elastic entries on top, with cable covering, masking and labelling strips, additional double-membrane seals and other accessories



AKi 28	736 428 01	1/1
--------	------------	-----



## AK 42

300 x 600 x 142 mm



Entries top end:  
17 x M20  
2 x M20/M25  
1 x M32/M40  
Entries bottom end:  
15 x M20  
2 x M20/M25  
1 x M32/M40  
Entries on each side:  
16 x M20  
4 x M25/M32

Description

Order No.

Packing Qty

Distribution board, 3 row, 42 modules, 150 mm rail spacing, screwless PE/N terminal rails each with 6 screwable clamping points, 2.5 - 16 mm<sup>2</sup>, 21 screwless clamping points 1.5 mm<sup>2</sup> - 4 mm<sup>2</sup>, elastic entries on top, with cable covering, masking and labelling strips, additional double-membrane seals and other accessories

IP65



IK07



400V AC



AK 42

735 442 01

1/1

## AKi 42

300 x 600 x 142 mm



Entries top end:  
17 x M20  
2 x M20/M25  
1 x M32/M40  
Entries bottom end:  
15 x M20  
2 x M20/M25  
1 x M32/M40  
Entries on each side:  
16 x M20  
4 x M25/M32

Distribution board - Industrial Quality -, 3 row, 42 modules, 150 mm rail spacing, screwless PE/N terminal rails each with 6 screwable clamping points, 2.5 - 16 mm<sup>2</sup>, 21 screwless clamping points 1.5 mm<sup>2</sup> - 4 mm<sup>2</sup>, elastic entries on top, with cable covering, masking and labelling strips, additional double-membrane seals and other accessories

IP65



IK08



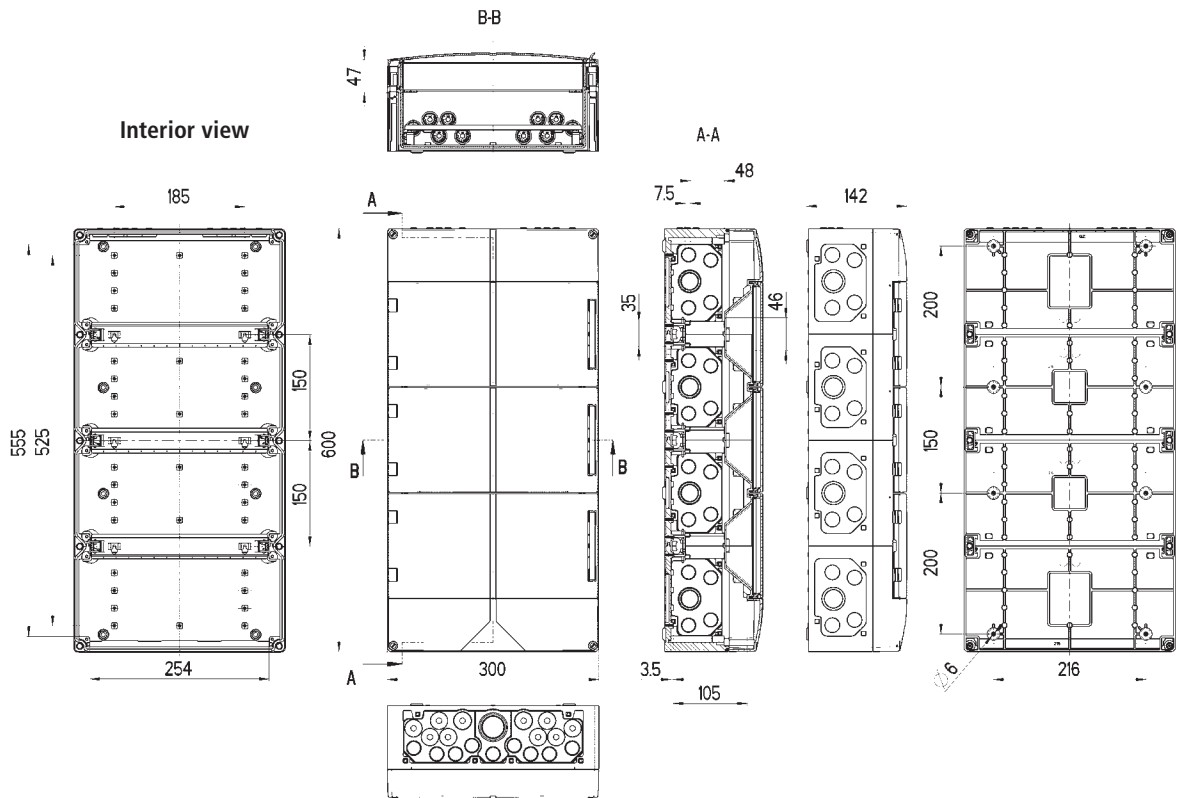
400V AC



AKi 42

736 442 01

1/1



## AK 56

300 x 750 x 142 mm



Entries top end:  
17 x M20  
2 x M20/M25  
1 x M32/M40  
Entries bottom end:  
15 x M20  
2 x M20/M25  
1 x M32/M40  
Entries on each side:  
20 x M20  
5 x M25/M32

Description

Order No.

Packing Qty

Distribution board, 4 row, 56 modules, 150 mm rail spacing, screwless PE/N terminal rails each with 6 screwable clamping points, 2.5 - 16 mm<sup>2</sup>, 21 screwless clamping points 1.5 mm<sup>2</sup> - 4 mm<sup>2</sup>, elastic entries on top, with cable covering, masking and labelling strips, additional double-membrane seals and other accessories



AK 56

735 456 01

1/1

## AKi 56

300 x 750 x 142 mm



Entries top end:  
17 x M20  
2 x M20/M25  
1 x M32/M40  
Entries bottom end:  
15 x M20  
2 x M20/M25  
1 x M32/M40  
Entries on each side:  
20 x M20  
5 x M25/M32

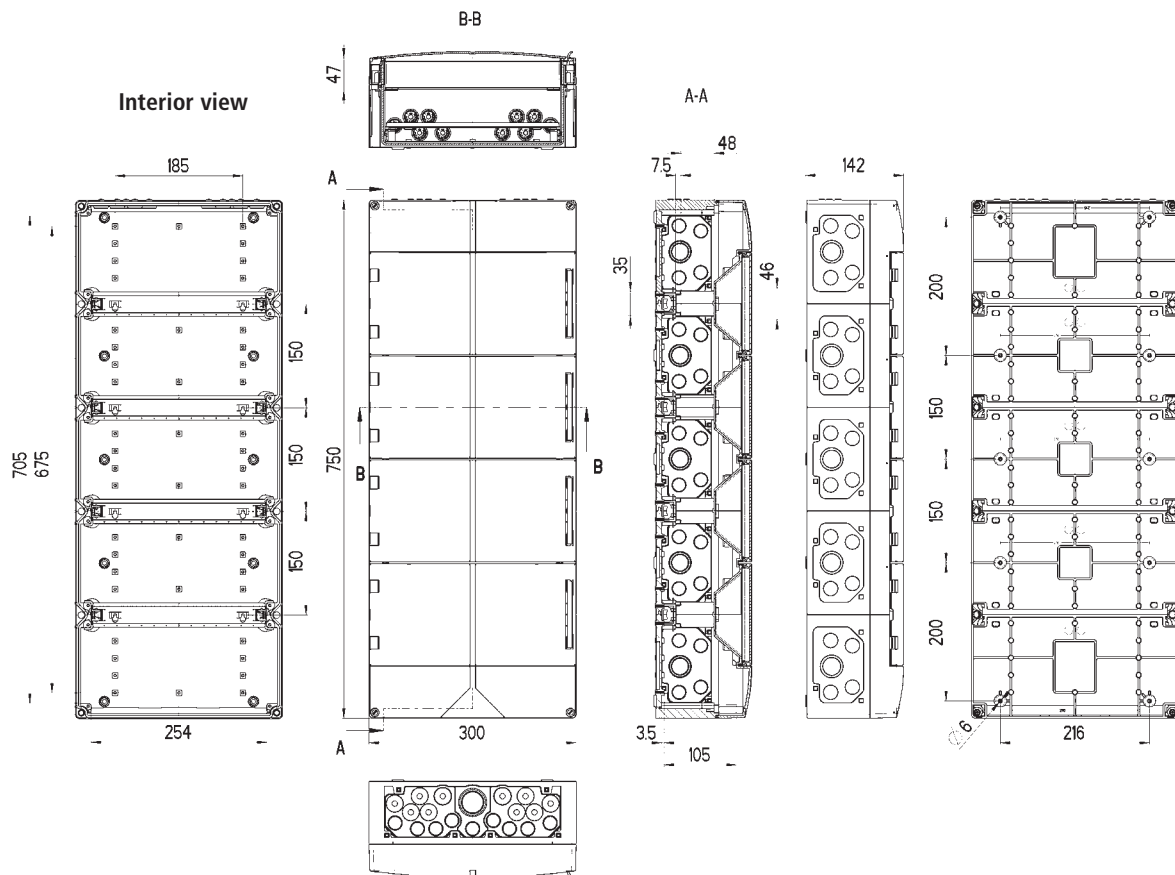
Distribution board - Industrial Quality -, 4 row, 56 modules, 150 mm rail spacing, screwless PE/N terminal rails each with 6 screwable clamping points, 2.5 - 16 mm<sup>2</sup>, 21 screwless clamping points 1.5 mm<sup>2</sup> - 4 mm<sup>2</sup>, elastic entries on top, with cable covering, masking and labelling strips, additional double-membrane seals and other accessories



AKi 56

736 456 01

1/1



## AK 70

300 x 900 x 142 mm



Entries top end:  
17 x M20  
2 x M20/M25  
1 x M32/M40  
Entries bottom end:  
15 x M20  
2 x M20/M25  
1 x M32/M40  
Entries on each side:  
24 x M20  
6 x M25/M32

Description

Order No.

Packing Qty

Distribution board, 5 row, 70 modules, 150 mm rail spacing, screwless PE/N terminal rails each with 6 screwable clamping points, 2.5 - 16 mm<sup>2</sup>, 21 screwless clamping points 1.5 mm<sup>2</sup> - 4 mm<sup>2</sup>, elastic entries on top, with cable covering, masking and labelling strips, additional double-membrane seals and other accessories

IP65



IK07



400V AC



AK 70

735 470 01

1/1

## AKi 70

300 x 900 x 142 mm



Entries top end:  
17 x M20  
2 x M20/M25  
1 x M32/M40  
Entries bottom end:  
15 x M20  
2 x M20/M25  
1 x M32/M40  
Entries on each side:  
24 x M20  
6 x M25/M32

Distribution board - Industrial Quality -, 5 row, 70 modules, 150 mm rail spacing, screwless PE/N terminal rails each with 6 screwable clamping points, 2.5 - 16 mm<sup>2</sup>, 21 screwless clamping points 1.5 mm<sup>2</sup> - 4 mm<sup>2</sup>, elastic entries on top, with cable covering, masking and labelling strips, additional double-membrane seals and other accessories

IP65



IK08



400V AC

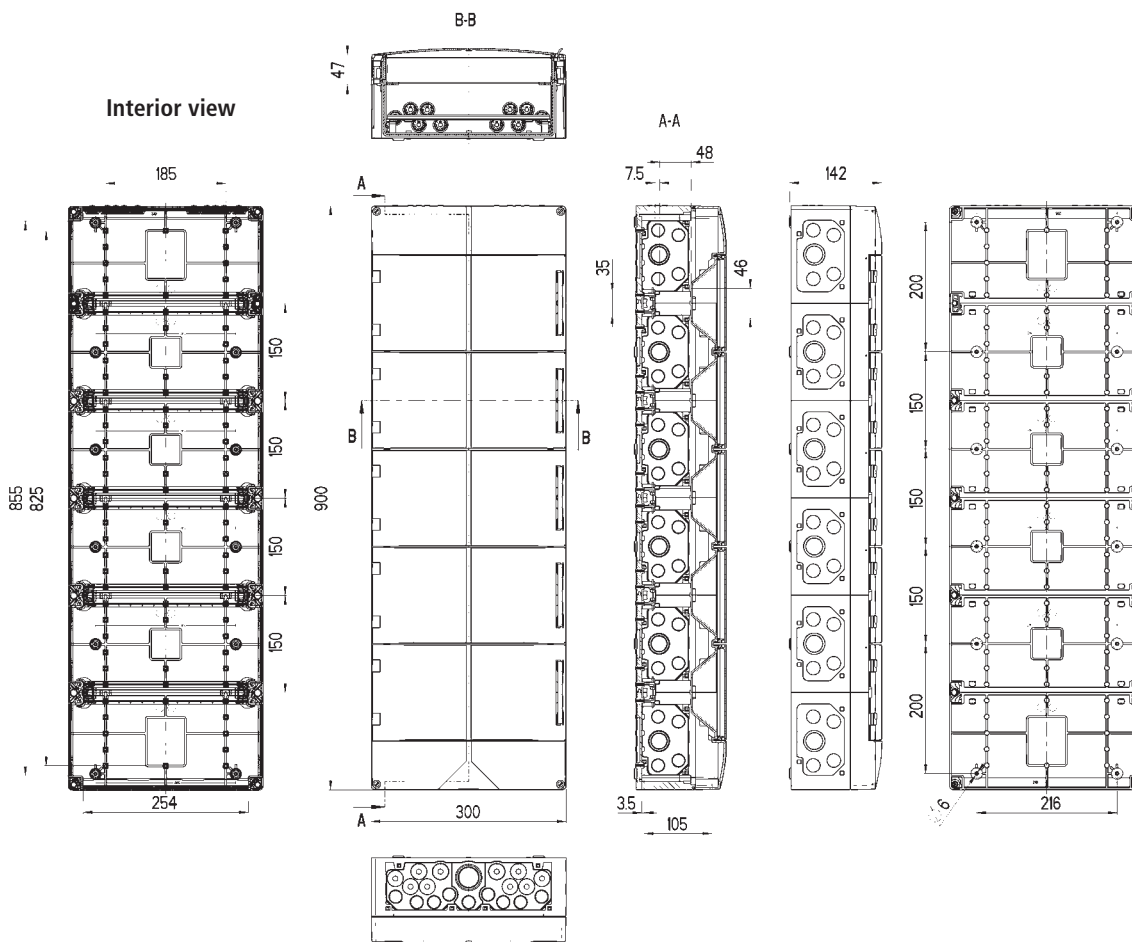


AKi 70

736 470 01

1/1

Distribution boards





The AK-Plus small distributors offer additional space for custom installation solutions.

- Additional wiring compartment with integrated standard rail, for example to accommodate terminal blocks or for installing electronic components
- By turning the housing, the additional connection space can be used either above or below the installed devices
- Individual doors with left / right stop allow the sealing or shutting off of individual rows
- Ideal combination: Plus component with integrated inspection window



Industrial Quality

## Distribution boards AK-Plus / AKi-Plus.

### AK 14 Plus

300 x 450 x 142 mm



Entries top end:  
 17 x M20  
 2 x M20/M25  
 1 x M32/M40  
 Entries bottom end:  
 15 x M20  
 2 x M20/M25  
 1 x M32/M40  
 Entries on each side:  
 12 x M20  
 3 x M25/M32

Description

Order No.

Packing Qty

Distribution board 1 row, with additional connection space, 14 modules, elastic entries on top, 150 mm rail spacing, without PE/N terminal rails, with 35 mm standard rails, cable cover, masking and labelling strips, additional double-membrane seals and other accessories

IP65



IK07



400V AC



AK 14 Plus

737 414 01

1/1

### AKi 14 Plus

300 x 450 x 142 mm



Entries top end:  
 17 x M20  
 2 x M20/M25  
 1 x M32/M40  
 Entries bottom end:  
 15 x M20  
 2 x M20/M25  
 1 x M32/M40  
 Entries on each side:  
 12 x M20  
 3 x M25/M32

Description

Order No.

Packing Qty

Distribution board - Industrial Quality - 1 row, with additional connection space, 14 modules, elastic entries on top, 150 mm rail spacing, without PE/N terminal rails, with 35 mm standard rails, cable cover, masking and labelling strips, additional double-membrane seals and other accessories

IP65



IK08



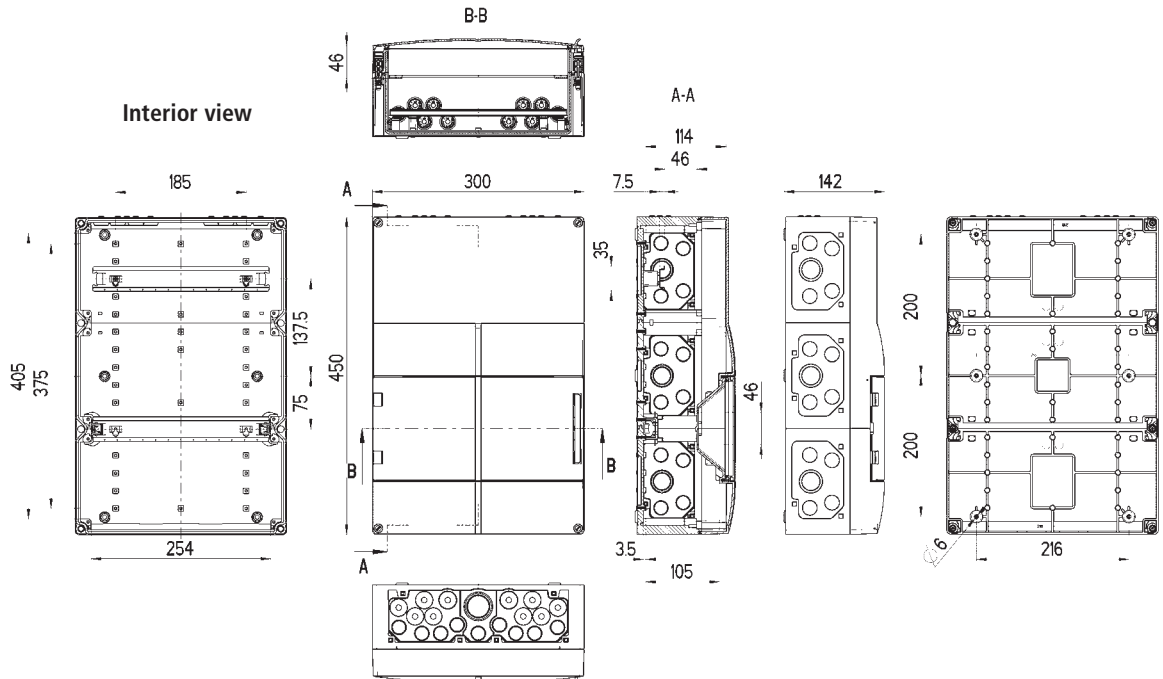
400V AC



AKi 14 Plus

738 414 01

1/1



Distribution boards



### AK 42 Plus

300 x 750 x 142 mm



Entries top end:  
17 x M20  
2 x M20/M25  
1 x M32/M40  
Entries bottom end:  
15 x M20  
2 x M20/M25  
1 x M32/M40  
Entries on each side:  
20 x M20  
5 x M25/M32

Description

Order No.

Packing Qty

Distribution board 3 row, with additional connection space, 42 modules, elastic entries on top, 150 mm rail spacing, without PE/N terminal rails, with 35 mm standard rails, cable cover, masking and labelling strips, additional double-membrane seals and other accessories

IP65



IK07



400V AC



AK 42 Plus

737 442 01

1/1

### AKi 42 Plus

300 x 750 x 142 mm



Entries top end:  
17 x M20  
2 x M20/M25  
1 x M32/M40  
Entries bottom end:  
15 x M20  
2 x M20/M25  
1 x M32/M40  
Entries on each side:  
20 x M20  
5 x M25/M32

Distribution board - Industrial Quality - 3 row, with additional connection space, 42 modules, elastic entries on top, 150 mm rail spacing, without PE/N terminal rails, with 35 mm standard rails, cable cover, masking and labelling strips, additional double-membrane seals and other accessories

IP65



IK08



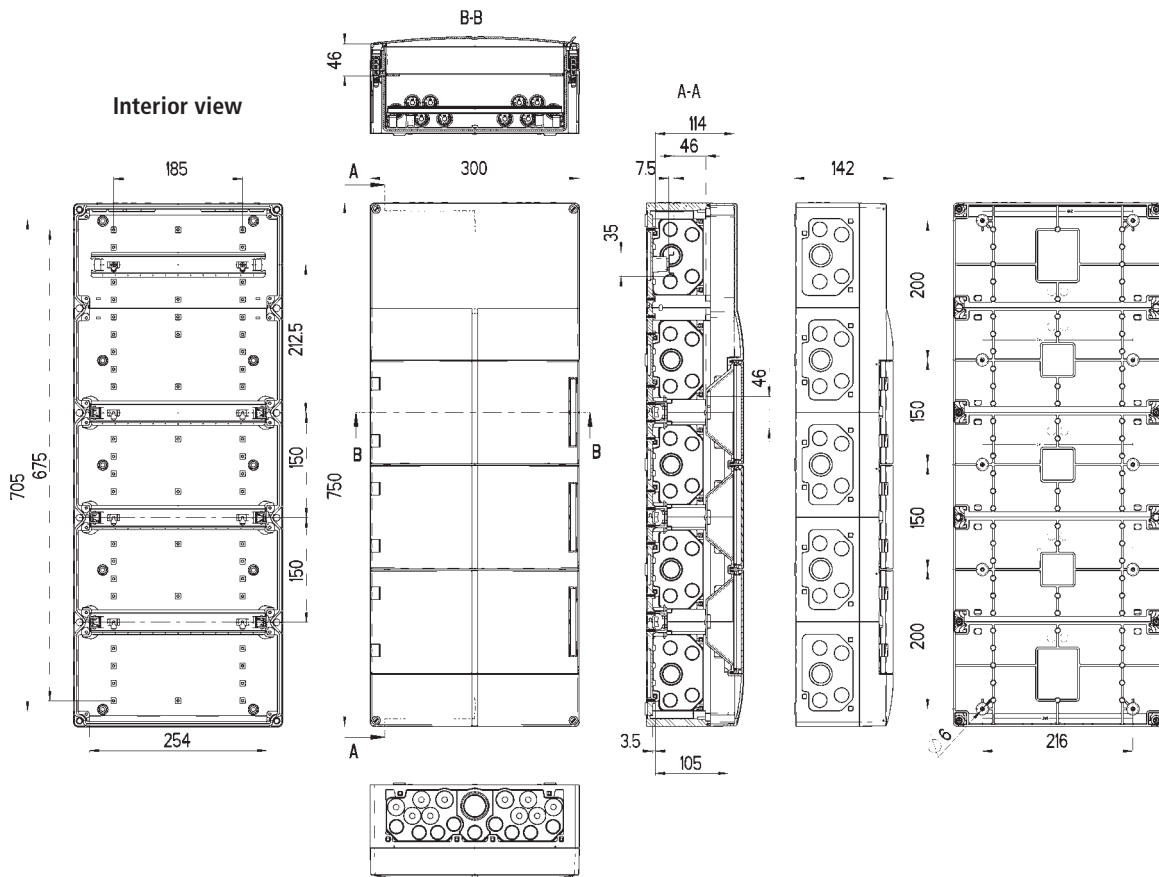
400V AC



AKi 42 Plus

738 442 01

1/1





## AK 56 Plus

300 x 900 x 142 mm



Entries top end:  
17 x M20  
2 x M20/M25  
1 x M32/M40  
Entries bottom end:  
15 x M20  
2 x M20/M25  
1 x M32/M40  
Entries on each side:  
24 x M20  
6 x M25/M32

Description

Order No.

Packing Qty

Distribution board 4 row, with additional connection space, 56 modules, elastic entries on top, 150 mm rail spacing, without PE/N terminal rails, with 35 mm standard rails, cable cover, masking and labelling strips, additional double-membrane seals and other accessories



<b>AK 56 Plus</b>	737 456 01	1/1
-------------------	------------	-----

## AKi 56 Plus

300 x 900 x 142 mm

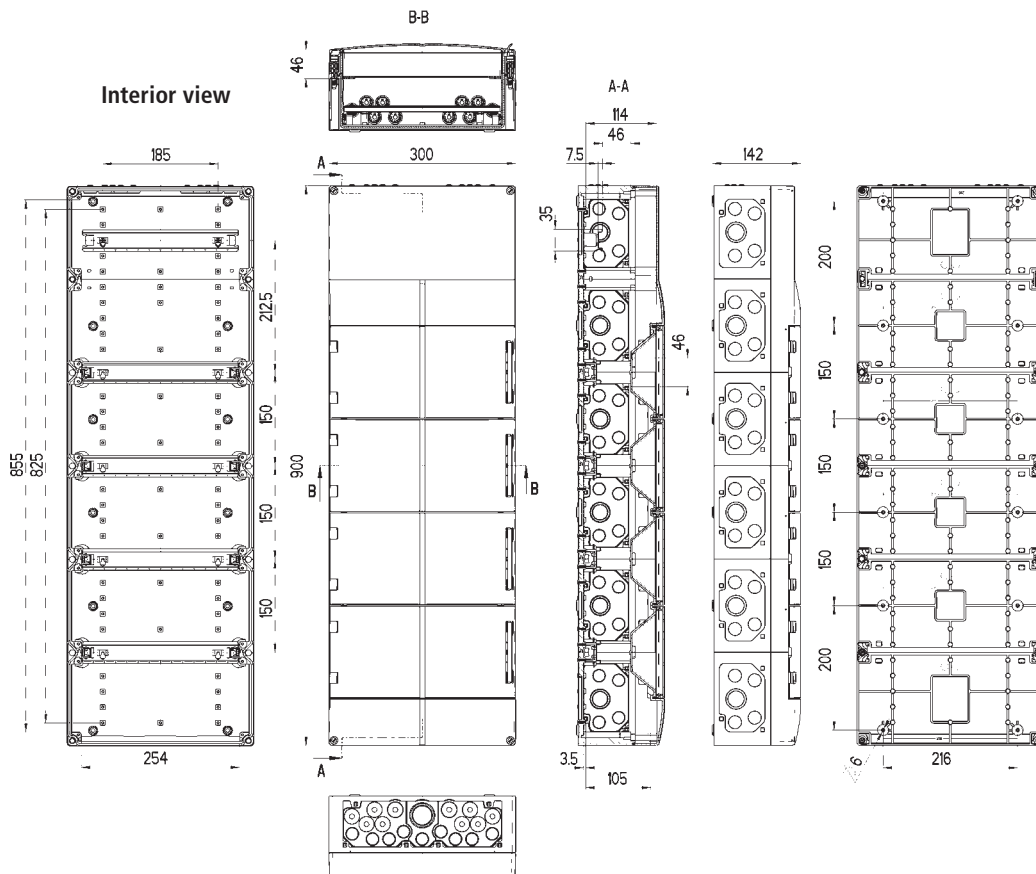


Entries top end:  
17 x M20  
2 x M20/M25  
1 x M32/M40  
Entries on floor:  
15 x M20  
2 x M20/M25  
1 x M32/M40  
Entries on each side:  
24 x M20  
6 x M25/M32

Distribution board - Industrial Quality - 4 row, with additional connection space, 56 modules, elastic entries on top, 150 mm rail spacing, without PE/N terminal rails, with 35 mm standard rails, cable cover, masking and labelling strips, additional double-membrane seals and other accessories



<b>AKi 56 Plus</b>	738 456 01	1/1
--------------------	------------	-----

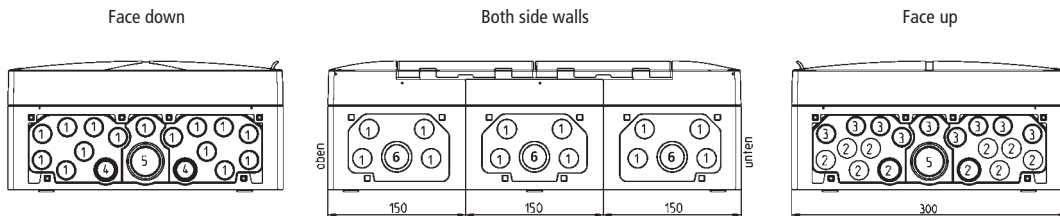




## Entries

### AK / AKi and Plus Variants

Example: AK / AKi 28



- 1 = M20 can be knocked out
- 2 = Ø20 with double-membrane connector
- 3 = Ø20 can be knocked out for double-membrane connector
- 4 = M20/25 can be knocked out
- 5 = M32/M40 can be knocked out
- 6 = M25/M32 can be knocked out

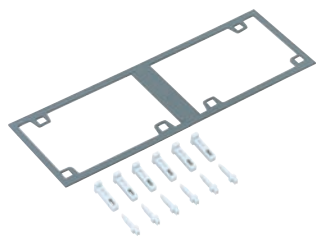


- ▶ **Lock bolt set**  
Secure closure of several hinged windows with a single lock
- ▶ **Ventilation plugs**  
For reducing condensation build-up in enclosures
- ▶▶ **Partition wall**  
For installation in the components of the AK housing system
- ▶ **Board Case**  
For locking unused modules and for storing fuses, etc.



## Distribution boards AK / AKi Accessories.

### AK Combi set



IP65

Description

Order No.

Packing Qty

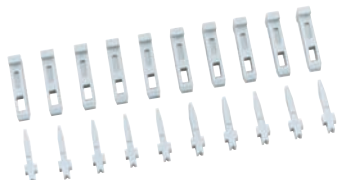
Combi set, for horizontal or vertical combination of all AK enclosures from 300 x 150 mm, complete with wedge connectors and intermediate sealing for 150 and 300 mm enclosure sides, each 300 mm = 1 combi set

AK KS-IP65

791 001 01

100/1

### AK Combi set



IP30

Combi set without intermediate enclosure seal, for horizontal or vertical combination of all AK enclosures from 300 x 150 mm, 1 set = 10 wedge connectors

AK KS-IP30

591 100 01

1/1

### Combi connector



IP54

Combination connector, for connecting enclosures, thermo plastic

KST M32

f. wall thicknesses/mm  
1.5 - 4.0

193 032 01

150/1

### Combi set



IP66

Combi set, for side connection of housings with metric openings, complete with lock nuts and intermediate wall seal inserts

KS M20  
KS M25  
KS M32  
KS M40

f. wall thicknesses/mm

2.0 x 3.0  
2.0 x 3.0  
2.0 x 3.5  
2.0 x 3.5

192 020 01  
192 025 01  
192 032 01  
192 040 01

100/1  
50/1  
50/1  
50/1

### Double membrane seals



IP66

Double membrane seals made of elastic plastic with two sealing membranes, closed

DMS M16  
DMS M20  
DMS M25  
DMS M32

f. wall thicknesses/mm

1.5 - 4.5  
1.5 - 4.5  
1.5 - 4.5  
1.5 - 4.5

Sealing area/mm

5 - 9  
7 - 12  
9 - 16  
14 - 21

260 416 01  
260 420 01  
260 425 01  
260 432 01

600/50  
600/50  
600/50  
300/25

Distribution boards

## Cable glands



IP68

Description

Order No.

Packing Qty

Cable gland with strain relief, polyamide, M\_ x 1.5 mm, with lock nut

	Thread length/ mm	Sealing area/ mm		
KVR M12-MGM	8	2 - 6.5	227 412 01	600/100
KVR M16-MGM	8	4 - 10.0	227 416 01	450/75
KVR M20-MGM	9	6 - 12.0	227 420 01	300/50
KVR M20-GDB/MGM	9	7 - 14.0	227 421 01	180/30
KVR M25-MGM	11	7 - 16.0	227 425 01	150/25
KVR M32-MGM	11	11 - 21.0	227 432 01	60/10
KVR M40-MGM	11	16 - 28.0	227 440 01	30/5
KVR M50-MGM	13	21 - 34.5	227 450 01	30/5
KVR M63-MGM	17	32 - 44.5	227 463 01	50/5

## Ventilation seal



IP44

With labyrinth seal to reduce condensation formation in housing, thermoplastic elastomer, grey, for insert in lower housing side

	f. wall thicknesses/mm		
BST M20	1,5 - 4,5	262 420 01	600/100

## AK Mounting flange



Enclosure wall, for installation in the components of the AK enclosure system for 300 mm wide end walls, with cable covers as standard

<b>AK ABF 1</b> with pre-embossing, 2 x M32 / M40 / M50, 1 x M40 / M50 / M63	795 048 01	1/1
<b>AK ABF 2</b> smooth for self-drilling	795 050 01	1/1

## AKi Mounting flange



Enclosure wall, for attachment to components of AKi housing system to 300 mm wide sides, with cable covers as standard

<b>AKi ABF 1</b> with pre-embossing, 2 x M32 / M40 / M50, 1 x M40 / M50 / M63	796 051 01	1/1
<b>AKi ABF 2</b> smooth for self-drilling	796 050 01	1/1

## Lock fittings



Description	Order No.	Packing Qty
For fitting to hinged doors of distribution boxes AK 03 to AK/AKi 70 and AK/AKi Plus 14 to 56, with 2 keys and installation instructions		
<b>AK SGA-1</b> Identical locks	706 102 01	1/1
<b>AK SGA-2</b> Different closures	706 902 01	1/1

## Lock bolt set



Lock bolt set, 4 pieces, for installation in AK/AKi 28 to 70 and AK/AKi Plus 28 to 56, in conjunction with the lock fittings 706 102 01 / 706 902 01 several hinged windows can be safely locked by activating only one single lock.

<b>AK SRS</b>	706 104 01	200/1
---------------	------------	-------

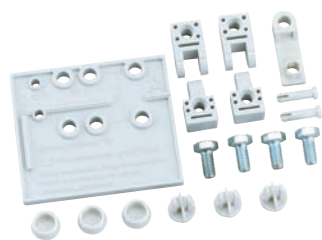
## Padlock kit



Padlock kit for upgrading the housing cover to lockable hinged door, incl. padlock, 2 hinges, fixing screws, cover plugs and drilling template

<b>VSG</b> for TK 1811 onwards and AKL/AKi 1	190 100 01	20/1
---	------------	------

## Hinge set



External hinge set for upgrading the housing cover to hinged door, incl. 2 hinges, fixing screws, cover plugs and drilling template

<b>ASS-gro</b> External hinge set large	190 005 01	200/1
--	------------	-------

## Partition wall



For installation in the components of the AK enclosure system, 300 mm wide, universal application for various enclosure heights, grey

<b>AK TW</b>	797 910 01	1/1
--------------	------------	-----

**Cable cover**  
300 x 125 x 90 mm



Description	Order No.	Packing Qty
for installation in the components of the AK enclosure system for 300 mm wide end walls, with cable covers as standard		
<b>AK KBL</b>	792 400 01	1/1

**masking off strips**



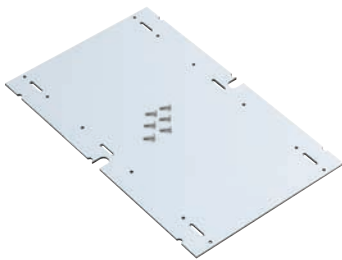
Description	Order No.	Packing Qty
masking off strips, to close off unused circuit-breaker positions, width 108 mm for 6 modules, detachable, grey		
<b>AK AS</b>	799 012 01	1/1

**Board Case**



Description	Order No.	Packing Qty
For closing off unused circuit-breaker positions, width 54 mm for 3 modules, for 35 mm standard rail, e.g. to house fuses, operating instructions, etc.		
<b>AK BC</b>	799 103 01	1/1

**Mounting plate insulating material**



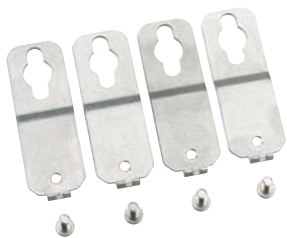
Description	Dimensions/mm	for type	Order No.	Packing Qty
<b>AK MPI 1</b>	240 x 112 x 4.0	AKL/AKi 1-4	795 001 01	1/1
<b>AK MPI 2</b>	240 x 240 x 4.0	AKL/AKi 2-4	795 002 01	1/1
<b>AK MPI 3</b>	240 x 390 x 4.0	AKL/AKi 3+4	795 003 01	1/1
<b>AK MPI 4</b>	240 x 540 x 4.0	AKL/AKi 4	795 004 01	1/1

**Mounting rail NS 35**



Description	Order No.	Packing Qty
Mounting rail according to DIN EN 60715, 35 x 7.5, width 35mm		
<b>AK NS35-250</b> from 300 x 300 mm, length 250 mm, including spacers	562 735 01	1/1
<b>NS35-216/3</b> universal floor fixing, length 216 mm, with fixing screws	795 030 01	1/1

## AK External attachment set



Description	Order No.	Packing Qty
External fixing lugs, for mounting of separate enclosures or small units on flat wall surfaces, may be fixed to the bottom of the enclosure at an angle of 0°, 45°, or 90°, wall gap 7 mm		
<b>AK ABL-ES</b> Set = 4 pieces	793 004 01	50/1

## Z-wall profile



Z-wall profile, length 2 m, with 8 M6 cylinder screws and 8 captive push nuts, wall clearance 70 mm, material: galvanised steel		
<b>ZPR</b>	070 800 01	1/1

## KF 12 Hinged window

228 x 80 mm



IP65

For fitting to housing cover, for maximum 12 modules at 17.5 mm, with transparent hinged window, frame with sealing both sides, with drilling template and fixing screws

<b>KF 12</b>	567 412 01	15/1
--------------	------------	------

## SF 12 Inspection window

228 x 80 mm



IP65

For fitting to housing cover, transparent viewing window, with drilling template and fixing screws

<b>SF 12</b>	568 012 01	10/1
--------------	------------	------

## PE/N terminal



For fixing to 35 mm standard rail, e.g. in meter housings

<b>KLS N 35</b> N terminal (blue) 3 x 25 mm <sup>2</sup> , 2 x 16 mm <sup>2</sup>	790 905 01	1/1
<b>KLS PE 35</b> PE_terminal (green) 3 x 25 mm <sup>2</sup> , 2 x 16 mm <sup>2</sup>	790 805 01	1/1



## PE/N Screwless Terminal



Description	Order No.	Packing Qty
For installation into AK/Aki distributors as additional terminals or for replacement		
<b>AK 14 PEN-SL</b> single-stage PE/N terminal with each, 3 screwable clamping points, 2.5 mm <sup>2</sup> - 16 mm <sup>2</sup> and 14 screwless clamping points, 1.5 - 4 mm <sup>2</sup>	790 317 01	1/1
<b>AK 28 PEN-SL</b> two-row PE/N terminal rails each with, 6 screwable clamping points 2.5 mm <sup>2</sup> - 16 mm <sup>2</sup> and 21 screwless clamping points 1.5 mm <sup>2</sup> - 4 mm <sup>2</sup>	790 327 01	1/1
<b>AK N-SL</b> single-stage N terminal, with 4 screwable clamping points 2.5 mm <sup>2</sup> - 16mm <sup>2</sup> and 28 screwless clamping points 1.5 mm <sup>2</sup> - 4 mm <sup>2</sup> , following removal of the cross-connection, distribution into, 2 potentials after removing the cross connector with each 3 screwable clamping points, 2.5 mm <sup>2</sup> - 16 mm <sup>2</sup> and 14 screwless, clamping points 1.5 mm <sup>2</sup> - 4 mm <sup>2</sup>	790 318 01	1/1

## PE/N-terminal



PE/N-terminal				
	Number of pole	Clamping range		
AK 03 PEN-S	2 x 4-pole	1x16 / 3x6 mm <sup>2</sup>	790 204 01	1/1
AK 05 PEN-S	2 x 5-pole	2x16 / 3x6 mm <sup>2</sup>	790 205 01	1/1
AK 09 PEN-S	2 x 7-pole	2x16 / 5x6 mm <sup>2</sup>	790 207 01	1/1
AK 12 PEN-S	2 x 12-pole	2x16 / 10x6 mm <sup>2</sup>	790 211 01	1/1
AK 24 PEN-S	2 x 16-pole	2x16 / 14x6 mm <sup>2</sup>	790 218 01	1/1
AK 14/28 PEN-S	2 x 17-pole	1x25 / 4x16 / 12x6 mm <sup>2</sup>	790 217 01	1/1
AK 42 PEN-S	2 x 25-pole	1x25 / 6x16 / 18x6 mm <sup>2</sup>	790 225 01	1/1

## 4-way neutral terminal



Auxiliary terminal for subsequent attachment to AK PE/N basic terminals from AK 14		
<b>AK N 47-S</b> 4 x 7-pole, 6/16 mm <sup>2</sup> , with each 2 clamping points 16 mm <sup>2</sup> , 5 clamping points 6 mm <sup>2</sup>	790 047 01	1/1

## 1-way neutral terminal



Auxiliary terminal for subsequent installation in AK PE/N basic terminals from AK 42		
<b>AK N 17-S</b> 1 x 7-pole, 6/16 mm <sup>2</sup> , with each 2 clamping points 16 mm <sup>2</sup> , 5 clamping points 6 mm <sup>2</sup>	790 007 01	1/1