

**Electrical: 电 :**

100VA

Maximum voltage 42VDC **最大电压**

连接 Contacts: silver nickel alloy. **银 镍合金**

Gold contacts may be required for less than 12VDC & 20 milliamp. **金触点要求至少12VDC和20毫安**

**Switch Type: 开关类型**

Creep Action **蠕动开关**

**Protection: 保护**

Switch sealed IP65 except

Exposed terminals **开关密封IP65除了暴露的终端**

IP68 Available. **IP68可用**

**Temperature Range: 温度范围**

-20°F to 180°F (-29°C to 82°C)

**Mechanical Range: 机械范围**

1,000,000 cycles @

1000 psi (70 BAR)

**Diaphragm Material: 隔膜材料**

Nitrile **腈**

(Optional Viton®, EPDM, HNBR)

**Housing Material: 外罩材料**

Zinc Plated steel. ROHS compliant

Optional 316SS **镀锌钢ROHS服从316ss**

**Maximum Overpressure: 最大过压**

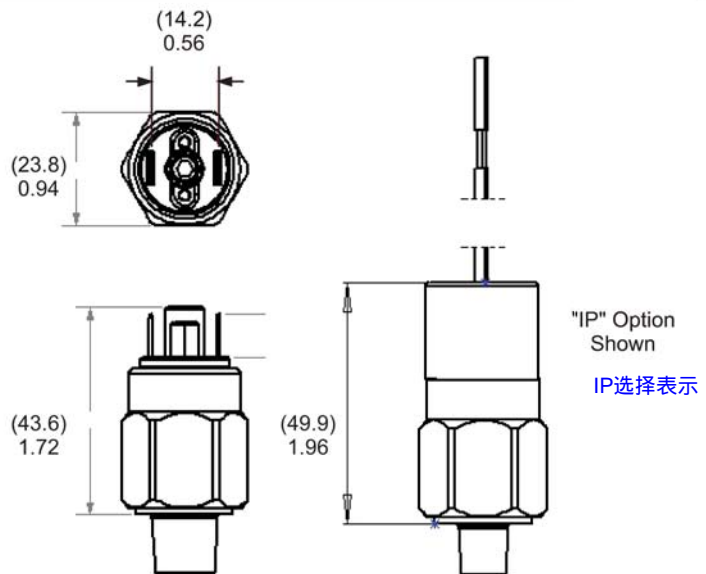
9000 PSI (600 BAR)

**Repeatability: 可重复性**

+/-3% of full setpoint range

**Weight: 重量**

0.15lbs. (0.07 Kg) max **最大**



Model 型号	Adjustment Range 校准范围	
	PSI	Bar
2	20-120	1.38 - 8
3	90-250	6.20 - 17
4	250-950	17 - 65
5	700-1900	48 - 130
6	1000-3000	68 - 205

**Ordering Information:**

SKBA-	2-	4M-	A-	SP-	1
SKBA-	See Adjustment	2M - 1/8" NPT	A -	FL- Flying leads, 18" <b>引线</b>	Blank (standard)
Field Adjustable	Range above	4M - 1/4" NPT	SPST/NC	SP- 1/4" Spades	1. Viton Diaphragm
SKBF-	or state factory	2G - 1/8" BSPP	B -	TS- Terminals screw <b>终端螺丝</b>	EPDM Diaphragm
Factory Set	set point	4G - 1/4" BSPP	SPST/NO	DR- Deutsch Integral	3. 316SS
		4S - 7/16"-20 SAE			7. Gold Contact
		6S - 9/16"-18 SAE			IP. IP68 Cap
		M10 - M10 X 1.0			SR. Snubber
		M12 - M12 X 1.5			