

Electrical: 电力:

5 A 12/24 VDC-125 VAC

3 A 250 VAC

Gold contacts may be required for less than 12VDC & 20 milliamp **金触点需要至少12VDC和20毫安**

Switch Type: 开关类型:

Snap Action **快动作**

Protection: 保护

DIN 43650A-IP65 Terminals-IP00

Temperature Range: 温度范围

-20°F to 180°F (-29°C to 82°C)

Mechanical Range: 机械范围

1,000,000 Cycles

Diaphragm Material: 隔膜材料

Nitrile (Optional Viton & EPDM) **腈 (可选氟橡胶或者三元乙丙橡胶)**

Housing Material: 外壳材料

Brass **铜**

Maximum Overpressure: 最大超压

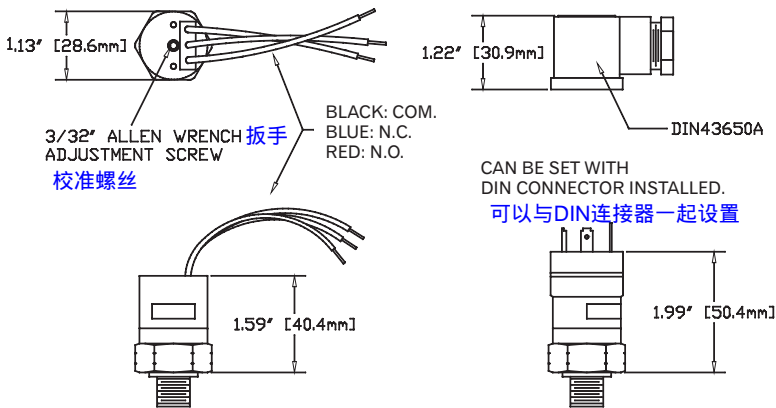
350 PSI (25 BAR)

Repeatability: 可重复性

+/- 2% of full set point range **设定值范围**

Weight: 重量

0.26 lbs. (0.12 Kg.) max



Model 型号	Adjustment Range 校准范围		Average Differential 平均差	
	Hg	MilliBar 毫巴	Hg	MilliBar
1	5-30"	160-1000	2-4"	67-133

Ordering Information:

SVA-	1	4M-	C-	H-	1
SVA - Field Adjustable	See Adjustment Range above or state factory set point 见上或者出厂设置	2M - 1/8"NPT 4M - 1/4"NPT 4G - 1/4"BSPP	A - SPST/NO B - SPST/NC C - SPDT	FL - Flying leads, 18" HC - DIN Cable Clamp HC - 5A DIN Light 12 VDC HC - 5B DIN Light 24 VDC HC - 5C DIN Light 110/230 VAC HN - DIN 1/2" Conduit (Female) H - DIN43650A male half only SP - 1/4" Spades	Blank (standard) 1. Viton 氟橡胶 2. EPDM 三元乙丙橡胶 3. SS Housing ss外壳 7. Gold Contact 金触点 9. Wide deadband (reduced range to 10/30 Hg)
SVF - Factory set		4S - 7/16"-20SAE 4SLN - "+ Swivel 6S - 9/16"-18SAE			

