

# DURAN® FILTERING APPARATUS & PTFE ADAPTER



**DURAN  
WHEATON  
KIMBLE**

Excellence in your hands

# DURAN® FILTERING APPARATUS

The DURAN® filtering apparatus is made of high-quality borosilicate glass. Apart from the glass, the medium only comes into chemical contact with PTFE. That is why the apparatus can be used to filter virtually any chemical.

The PTFE disc holder allows glass filters of different porosities and slit-sieve discs to be used. Thanks to the range of porosities available with glass filters (10 µm – 160 µm), analytical filtration can be carried out in addition to coarse and fine filtration.

The DURAN® filtering apparatus is suitable for filtration and purification of aqueous and organic solutions as well as for particulate contamination analysis and preparation of HPLC media.



## Product benefits

- Only glass and PTFE come in contact with the medium
- Removable filter discs ensure easy cleaning
- Slit-sieve disc included to hold filter papers and membrane filters (diameter 47 mm)
- Graduated filter head
- Reliable plastic hose connection (suitable for tubes with ID 8 mm)
- All components available as replacement parts

# DURAN® PTFE ADAPTER

The DURAN® PTFE Adapter complements the DURAN® filtering apparatus, making it possible to filter directly into a DURAN® pressure plus+ laboratory bottle. The adapter connects the 45/40 standard ground joint of the DURAN® filtering apparatus to the GL 45 thread of a DURAN® laboratory bottle.



## Product benefits

- Direct filtration into a DURAN® pressure plus+ laboratory bottle
- The filtrate can be stored or used immediately without additional transfer – for example with a GL 45 HPLC screw cap or other GL 45 connection system
- Reduced risk of contamination

## Note:

As a vacuum is created in the bottle during filtration, use of the DURAN® pressure plus+ laboratory bottle is recommended.

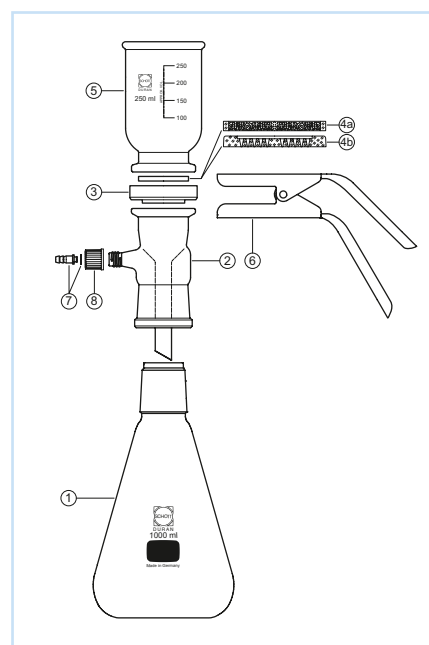
## Ordering information

Description	Pack Unit	Cat. No.
<b>DURAN® Filtering apparatus, complete</b>		
DURAN® Filtering apparatus, 1000 mL / 250 mL	1	25 710 54 51
DURAN® Filtering apparatus, 2000 mL / 500 mL	1	25 710 63 04

## Replacement Parts

PTFE adapter plate	1	29 400 28 03
Clamp (anodized aluminum)	1	29 076 36 09
Graduated filter head 250 mL	1	24 722 36 02
Graduated filter head 500 mL	1	24 722 44 01
Extension NS 45/40	1	24 317 32 03
DURAN® filter flask with NS 45/40, 1000 mL	1	24 202 54 04
DURAN® filter flask with NS 45/40, 2000 mL	1	24 202 63 06
Plastic hose connection with silicone seal, straight GL 14	10	29 255 06 03
Threaded cap, red, made of PBT, GL 14, hole 9.5 mm	10	29 227 05 08
DURAN® glass filter disc, diameter 50 mm, por. 2	1	25 205 02 08
Slit-sieve disc, diameter 48 mm	1	21 340 31 08

Description	Pos.
DURAN® filter flask with standard ground joint 45/40	1
Extension, standard ground joint 45/40, with hose connection GL 14	2
PTFE adapter plate	3
DURAN® glass filter disc, diameter 50 mm	4a
DURAN® slit-sieve disc, diameter 48 mm	4b
Graduated filter head	5
Clamp (anodized aluminum)	6
Plastic hose connection with silicone seal, straight	7
Threaded cap, red, made of PBT, GL 14	8



Description	Standard ground joint	Thread	Pack Unit	Cat. No.
DURAN® PTFE adapter NS 45/40 – GL 45	45/40	GL 45	1	29 400 12 07

PTFE: Polytetrafluorethylene

These products are available from your laboratory supplier.



DWK Life Sciences GmbH  
Hattenbergstrasse 10  
55122 Mainz  
Germany

Phone: +49 6131 - 1445 4131  
Fax: +49 6131 - 1445 4016  
sales@DWK-LifeSciences.com  
www.DWK-LifeSciences.com

