



DATA SHEET

TRUEVIEW™ 5725

Multimedia processor for HD PTV and LCD TV

Tel: 86-756-3628728 Email: sales@tvvia.com

Version 3.2

April 2013

DS-5725-3.2

NOTE:

Tvvia products are not designed for use in life support appliances, devices, or systems where malfunction of a Tvvia product can reasonably be expected to result in personal injury. Distributors and/or customers using or selling such products for use in life support equipment do so at their own risk and agree to fully indemnify Tvvia of such product liability or any damages, resulting from such use or sale.

REVISION HISTORY

Revision	Description	Corresponding Page(s)
1.0	2011 version	
2.1	Add some details	
3.1	Add some details	
3.2	Add some details	

Table of Contents

INTRODUCTION	1
FEATURES	2
PINOUT DIAGRAM	3
PIN DIAGRAM FOR QFP160	3
PIN DESCRIPTION	4
FUNCTIONAL DESCRIPTION	10
ADC	10
INPUT FORMATTER.....	10
DE-INTERLACER.....	10
FILM MODE.....	10
3D TIME – SPACE CONVERTER.....	10
VIDEO PROCESSING	10
ANALOG AND DIGITAL OUTPUT.....	11
MEMORY CONTROLLER	11
PLL AND OSCILLATOR	11
HOST BUS INTERFACE	11
OSD.....	12
CLOCK RECOVERY CIRCUITS	12
APPLICATION NOTES	13
ADC PIN CONNECTION.....	13
CRYSTAL PIN.....	14
VIDEO PORT USAGE	16
BOARD MEMORY CONNECTION:	24
ELECTRICAL CHARACTERISTICS	29
ABSOLUTE MAXIMUM RATINGS.....	29
DC CHARACTERISTICS	30
AC CHARACTERISTICS	32
MEMORY INTERFACE AC CHARACTERISTICS.....	34
DAC CHARACTERISTICS.....	38
ADC CHARACTERISTICS.....	39
PACKAGE DIMENSIONS	40
CONTACT INFORMATION	41

Table of Figures

Figure 1: Block Diagram	1
Figure 2: OSD Icons	12
Figure 3: Example ADC Signal Connection	13
Figure 4: Crystal Connection Diagram	14
Figure 5: External Clock Drive Configuration	14
Figure 6: Internal Driver Configuration	15
Figure 7: Digital 24-bit YUV/RGB Input with Analog Output Mode	17
Figure 8: Digital 16-bit YUV 4:2:2 Input with Analog Output Mode	18
Figure 9: Digital 8-bit 601/656 4:2:2 YUV Input with Analog Output Mode	19
Figure 10: Analog YUV/RGB Input with Analog Output Mode	20
Figure 11: Digital 8-bit 601/656 4:2:2 YUV Input with 16bit Digital Output	21
Figure 12: Analog RGB/YUV Input with 16bit Digital Output Mode.....	22
Figure 13: Analog RGB/YUV Input with 24bit Digital Output Mode.....	23
Figure 14: THREE 1MX16X2BANK MEMORY (1)	24
Figure 15: THREE 1MX16X2BANK MEMORY (2)	25
Figure 16: ONE 1MX16X4BANK MEMORY	26
Figure 17: ONE 512KX32X4BANK MEMORY	27
Figure 18: TWO 1MX16X4BANK MEMORY	28
Figure 19: Video Input Port AC Timing.....	32
Figure 20: Video Output Port AC timing	33
Figure 21: Memory Interface AC Input timing.....	34
Figure 22: Memory Interface AC output timing.....	35
Figure 23: Definition of timing for F/S-mode devices on the I ² C-bus	36
Figure 24: Package Dimensions for QFP160 Package.....	40

Table of Tables

Table 1: Digital Video Input Pins	4
Table 2: Digital Video Output Pins	4
Table 3: Analog Video input Pins	5
Table 4: Analog Video Output Interface Pins	6
Table 5: Clock Generation Pins	6
Table 6: System Interface Pins.....	6
Table 7: SDRAM Interface Pins.....	7
Table 8: Digital Power and Ground Pins	8
Table 9: Numerical Pin List.....	9
Table 10: I ² C Slave Addresses.....	12
Table 11: Over sampling ratio	12
Table 12: Absolute Maximum Ratings.....	29
Table 13: DC Characteristics.....	30
Table 14: Video Input Port AC Timing.....	32
Table 15: Video Output Port AC timing	33
Table 16: Memory Interface AC Input timing.....	34
Table 17: Memory Interface AC output timing.....	35
Table 18: Characteristics of the SDA and SCL bus lines for F/S-mode I ² C-bus devices.....	37
Table 19: DAC Characteristics	38
Table 20: ADC Characteristics	39

INTRODUCTION

The TrueView5725 is a low pin count, low-cost advanced and highly integrated Digital and Analog Video Display Processor providing the key features needed to design HD-READY, Progressive scan or LCD Televisions

TrueView5725 accepts interlaced or progressive video input and graphic input such as NTSC/PAL, 1080i/720p, and SXGA, etc. in both analog and digital channels. It provides a high quality display output. It is capable of advanced de-interlacing, video enhancement, advanced 3D noise reduction, Y/C cross talk suppression and frame rate conversion. It also provides superior video output quality.

It integrates a complete triple 8-bit pipeline ADC with a clock-recovery and sync separation circuit to generate the sampling clock from HSYNC. In applications where the analog outputs are used the 24-bit digital pins can be inputs if the pins are not used for digital output.

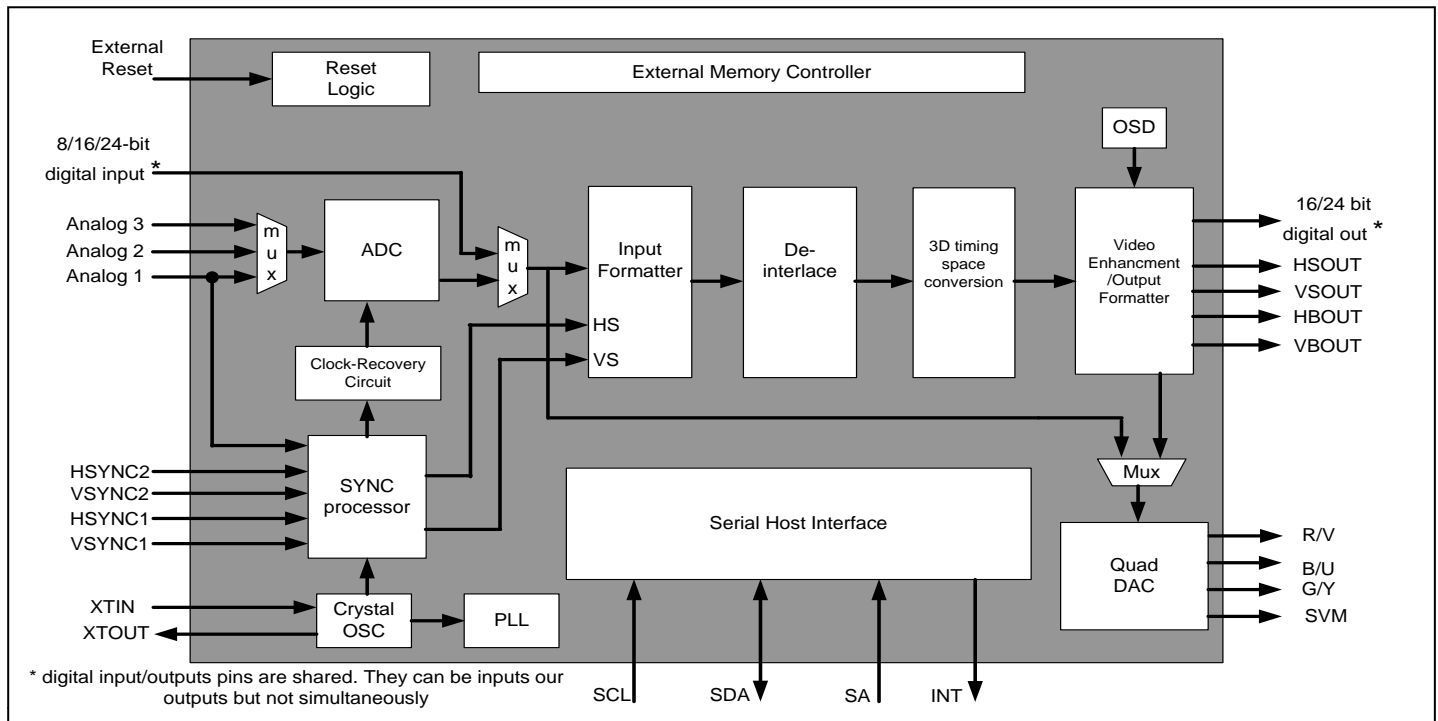
With the high quality video DACs, the video stream is displayed through its de-interlaced RGB/YPbPr outputs.

The I²C host interface enables OEMs to select from many different CPU's in order to meet their system and technical requirements.

OEMs can easily design a very low cost solution, while minimizing their software development time by leveraging on TrueView5725's level of integration and software support.

TrueView5725 provides 3D motion adaptive de-interlacing with diagonal edge detection. It performs high quality line doubling and high-accuracy non-linear motion estimation. It performs pixel based motion detection using two-field buffers. The Video De-interlacing Processor automatically detects noise level and can respond to different noise thresholds. It can also automatically detect input modes such as still images, 3:2 / 2:2 films and provide adaptive processing.

Figure 1: Block Diagram

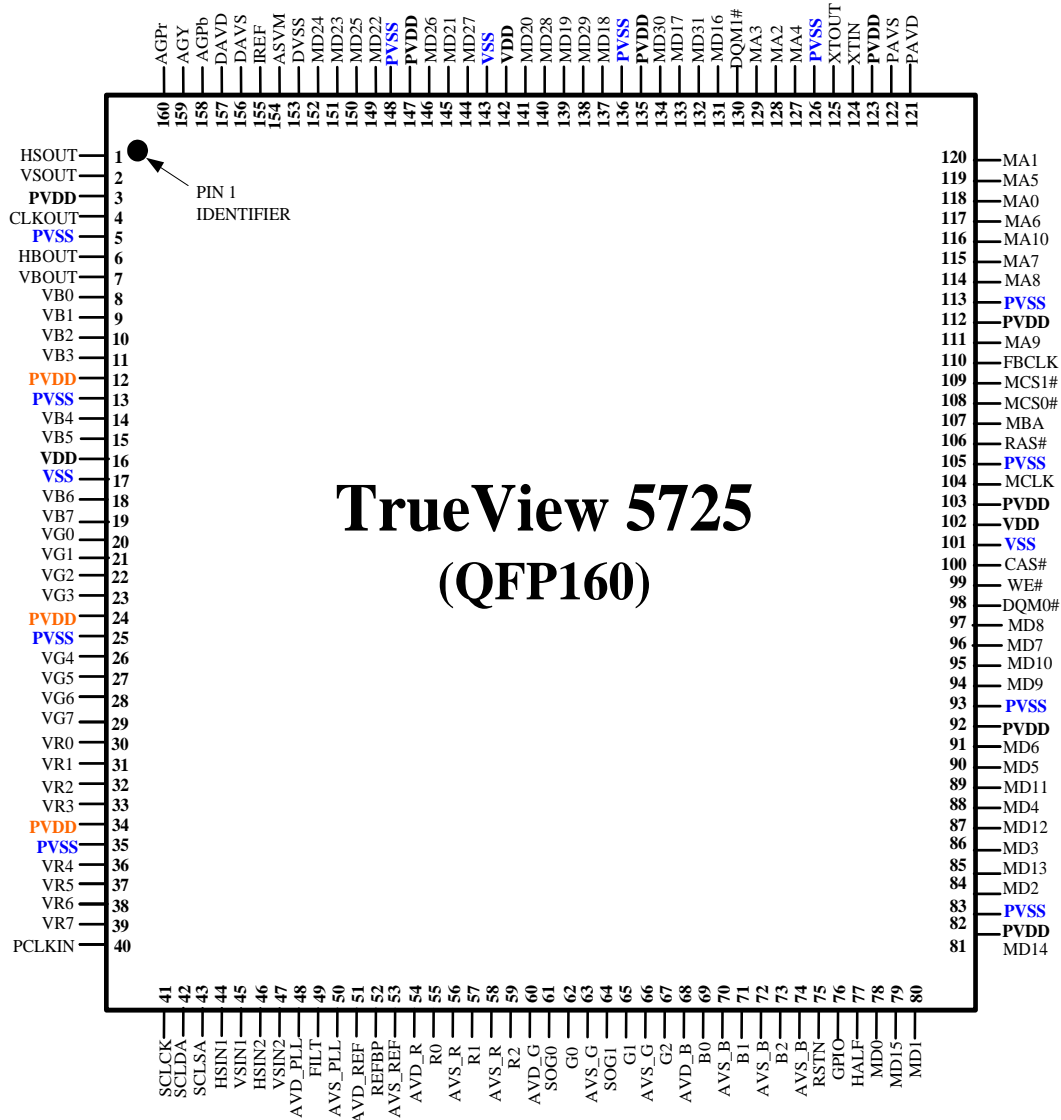


FEATURES

- **Analog Input Formatter**
 - Max three channel analog inputs
 - RGB/YCbCr/YPbPr input
 - Analog input range: 0.5V – 1.0V (p-p)
 - Programmable gain/offset controls
 - DC or AC coupling inputs
 - Internal sync separator to support SOG/SOY
 - SXGA (1280x1024@75Hz) at 135MHz
 - HDTV up to 1080p
 - Macrovision input detection
 - **Triple 8-bit ADC**
 - Maximum analog sampling rate up to 162MSPS
 - **Clock-recovery Circuit**
 - Programmable phase adjustment cells
 - HSYNC frequency range is from 15KHz to 110KHz
 - **Digital Input Formatter**
 - 24bit RGB/YUV input
 - 8/16bit YUV input
 - 8bit 656/601 input
 - NTSC/PAL input
 - 480p, 576p input
 - VGA/SVGA/XVGA input
 - 720p, 1080i, 1080p HD input
 - Support DVI interface
 - **Output formatter**
 - 480p, 576p, 720p, 1080i, 1080p
 - Up to SXGA graphic output formats
 - 100/120 interlace double scan
 - 75Hz interlace single scan
 - 50-75Hz scan rate conversion
 - 15~80KHz horizontal frequency
 - 16bit YPbPr digital output with syncs
 - 24bit YPbPr/RGB digital output with syncs
 - **De-interlace**
 - HD 1080i support
 - SD NTSC/PAL
 - Direct Edge Correction De-interlace
 - Motion Detection
 - Edge Detection
 - Mode Detection
 - Noise Detection
 - 3:2:2:2 pull-down detection
 - **Memory Controller**
 - 2-8Mbyte memory support
 - 16/32bit data access
 - **Video enhancement**
 - Black Level Expansion (BLE)
 - White Level Expansion (WLE)
 - Color Transition Improvement (DCTI)
 - Dynamic Range expansion
 - Brightness, Saturation, Contrast, HUE
 - Dynamic 2D Peaking
 - 2D coring
 - 3D noise reduction
 - Scan Velocity Modulation (SVM)
 - 2D Nonlinear scaling
 - Primary Color Enhancement
 - Skin Tone Enhancement
 - Blue Stretch
 - **OSD**
 - Simple OSD generator to support component video inputs
 - **Host Interface and I/O**
 - Two-wire I²C interface
 - GPIO
 - **Quadruple 10bit DAC**
 - **Package and Technology**
 - 160-pin QFP 28*28mm
 - 0.18 micron, 3.3V / 1.8V technology
- Note: All packages are lead-free and RoHS compliant.

PINOUT DIAGRAM

PIN DIAGRAM FOR QFP160



PIN DESCRIPTION

Table 1: Digital Video Input Pins

Pin Name	QFP160 Pin #	Type	Pin Description
PCLKIN	40	IPD	Digital input video clock
HSIN1	44	I	Digital input video H-sync Shared with Analog input video H-sync1
VSIN1	45	I	Digital input video V-sync Shared with Analog input video V-sync1
VG [7:0]	29~26, 23~20	IOPD	Video Green Input data. <ul style="list-style-type: none"> • G data for 24bit RGB mode. • Y data for 4:4:4 mode • YUV data for 8bit 4:2:2 YUV mode. • Y/G data for 24bit input Shared with digital video output data
VB [7:0]	19~18, 15~14, 11~8	IOPD	Video Blue Input data. <ul style="list-style-type: none"> • B data for 24bit RGB mode. • U data for 4:4:4 YUV mode. • UV data for 16bit 4:2:2 YUV mode. • U/B data for 24bit input. • Y data for 16bit input. Shared with digital video output data
VR [7:0]	39~36, 33~30	IOPD	Video Red Input data. <ul style="list-style-type: none"> • R data for 24bit RGB mode. • V data for 4:4:4 mode. • Y data for 16bit 4:2:2 mode. • V/R data for 24bit input • U/V data for 16bit input Shared with digital video output data
CLKOUT	4	IO	Display enable input from DVI/HDMI decoder Shared with video clock output & GPIO bit 7
HSOUT	1	IO	Input H-sync for digital input mode Shared with H-sync output
VSOUT	2	IO	Input V-sync for digital input mode Shared with V-sync output
HALF	77	IOPD	Half tone input Shared with GPIO bit 1

Table 2: Digital Video Output Pins

Pin Name	QFP160 Pin #	Type	Pin Description
CLKOUT	4	IO	Digital video display output clock Shared with display enable input & GPIO bit 7
HSOUT	1	IO	Digital video display output H-sync Shared with H-sync input for digital input mode
VSOUT	2	IO	Digital video display output V-sync Shared with V-sync output for digital input mode

VBOUT	7	IO	Display enable output in LCD application Shared with GPIO bit 6 and V-blank output
VG [7:0]	29~26, 23~20	IOPD	<ul style="list-style-type: none"> • Y/G data for 24bit digital output. Shared with digital video input data
VB [7:0]	19~18, 15~14, 11~8	IOPD	<ul style="list-style-type: none"> • UV data for 16bit digital output. • R/V data for 24bit digital output. Shared with digital video input data
VR [7:0]	39~36, 33~30	IOPD	<ul style="list-style-type: none"> • Y data for 16bit digital output. • B/U data for 24bit digital output. Shared with digital video input data

Table 3: Analog Video input Pins

Pin Name	QFP160 Pin #	Type	Pin Description
HSIN1	44	I	Analog video input H-sync1 Shared with digital video input H-sync
VSIN1	45	I	Analog video input V-sync1 Shared with digital video input V-sync
HSIN2	46	I	Analog video input H-sync2
VSIN2	47	I	Analog video input V-sync2
SOG0	61	AI	Green input 0 for Sync-On-Green sync tip clamping
SOG1	64	AI	Green input 1 for Sync-On-Green sync tip clamping
R0	55	AI	Analog input for Red input channel 0
G0	62	AI	Analog input for Green input channel 0
B0	69	AI	Analog input for Blue input channel 0
R1	57	AI	Analog input for Red input channel 1
G1	65	AI	Analog input for Green input channel 1
B1	71	AI	Analog input for Blue input channel 1
R2	59	AI	Analog input for Red input channel 2
G2	67	AI	Analog input for Green input channel 2
B2	73	AI	Analog input for Blue input channel 2
REFBP	52	AI	Internal reference bypass
AVD_R	54	AP	Analog power (3.3V)
AVS_R	56, 58	AG	Analog ground
AVD_G	60	AP	Analog power (3.3V)
AVS_G	63, 66	AG	Analog ground
AVD_B	68	AP	Analog power (3.3V)
AVS_B	70, 72, 74	AG	Analog ground
AVD_REF	51	AP	Analog power (3.3V)
AVS_REF	53	AG	Analog ground
AVD_PLL	48	AP	Analog power (3.3V) for PLLAD
FILT	49	AI	Connection for External Filters components for PLLAD
AVS_PLL	50	AG	Analog ground for PLLAD

Table 4: Analog Video Output Interface Pins

Pin Name	QFP160 Pin #	Type	Pin Description
HSOUT	1	IO	Analog video display output H-sync Shared with H-sync input for digital input mode
VSOUT	2	IO	Analog video display output V-sync Shared with V-sync output for digital input mode
HBOUT	6	IO	Analog video display output H-Blank Shared with GPIO bit 5
VBOUT	7	IO	Analog video display output V-Blank Shared with GPIO bit 6 and DE output for digital video output
AGPb	158	AO	Analog Blue/Pb output
AGY	159	AO	Analog Green/Y output
AGPr	160	AO	Analog Red/Pr output
ASVM	154	AO	Analog SVM output
IREF	155	AI	Full-scale adjust resistor
DVSS	153	AG	Big current GND
DAVS	156	AG	Analog ground for DAC
DAVD	157	AP	Analog power for DAC

Table 5: Clock Generation Pins

Pin Name	QFP160 Pin #	Type	Pin Description
XTOUT	125	O	External crystal output.
XTIN	124	I	External crystal input.
PAVD	121	AP	Analog power (3.3V) for PLL648
PAVS	122	AG	Analog ground for PLL648

Table 6: System Interface Pins

Pin Name	QFP160 Pin #	Type	Pin Description
SCLSA	43	IOPU	Serial bus slave address selection, Shared with GPIO bit 2
SCLCK	41	I	Serial bus clock
SCLDA	42	IO	Serial bus data
RSTN	75	I	External asynchronous reset, low active
GPIO	76	IOPD	GPIO bit 0 Shared with Interrupt Output, low active

Table 7: SDRAM Interface Pins

Pin Name	QFP160 Pin #	Type	Pin Description
MD31	132	IOPD	Memory Data Bus [31:0]
MD30	134	IOPD	
MD29	138	IOPD	
MD28	140	IOPD	
MD27	144	IOPD	
MD26	146	IOPD	
MD25	150	IOPD	
MD24	152	IOPD	
MD23	151	IOPD	
MD22	149	IOPD	
MD21	145	IOPD	
MD20	141	IOPD	
MD19	139	IOPD	
MD18	137	IOPD	
MD17	133	IOPD	
MD16	131	IOPD	
MD15	79	IOPD	
MD14	81	IOPD	
MD13	85	IOPD	
MD12	87	IOPD	
MD11	89	IOPD	
MD10	95	IOPD	
MD9	94	IOPD	
MD8	97	IOPD	
MD7	96	IOPD	
MD6	91	IOPD	
MD5	90	IOPD	
MD4	88	IOPD	
MD3	86	IOPD	
MD2	84	IOPD	
MD1	80	IOPD	
MD0	78	IOPD	
DQM0#	98	O	Memory data qualify signal 0
DQM1#	130	O	Memory data qualify signal 1
MCLK	104	O	SDRAM clock
WE#	99	O	Write enable control for SDRAM
RAS#	106	O	Row address strobe
CAS#	100	O	Column address strobe
FBCLK	110	IOPD	Feed back clock for SDRAM Chip Selection 2 for 6MByte external memory
MBA	107	IOPD	SDRAM bank select Shared with GPIO bit 3

Pin Name	QFP160 Pin #	Type	Pin Description
MCS1#	109	IOPD	Memory chip Selection 1, And shared with GPIO bit 4.
MCS0#	108	IOPD	Memory chip Selection 0
MA10	116	IOPD	Memory address bus [10:0]
MA9	111	IOPD	
MA8	114	IOPD	
MA7	115	IOPD	
MA6	117	IOPD	
MA5	119	IOPD	
MA4	127	IOPD	
MA3	129	IOPD	
MA2	128	IOPD	
MA1	120	IOPD	
MA0	118	IOPD	

Table 8: Digital Power and Ground Pins

Pin Name	QFP160 Pin #	Type	Pin Description
VSS	17,101,143	DG	Core Power GND
VDD	16,102,142	DP	1.8V Core Power
PVDD	3, 12, 24, 34, 82, 92, 103, 112, 123, 135, 147,	DP	3.3V I/O Power
PVSS	5, 13, 25, 35, 83, 93, 105, 113, 126, 136, 148	DG	I/O GND

Pin types include the following:

- I Digital Input
- IPD Digital Input with pull-down
- O Digital Output
- OPD Digital Output with pull-down
- IO Digital Bi-directional (input/output)
- IOPU Digital Bi-directional (input/output) with pull-up
- IOPD Digital Bi-directional (input/output) with pull-down
- AI Analog Input
- AO Analog Output
- DP Digital Power
- DG Digital Ground
- AP Analog Power
- AG Analog Ground

Table 9: Numerical Pin List

Pin Name	QFP160 Pin #	Pin Name	QFP160 Pin #	Pin Name	QFP160 Pin #	Pin Name	QFP160 Pin #
HSOUT	1	SCLCK	41	MD14	81	PAVD	121
VSOUT	2	SCLDA	42	PVDD	82	PAVS	122
PVDD	3	SCLSA	43			PVSS	83
PVDD		HSIN1	44	MD2	84		
CLKOUT	4	VSIN1	45	MD13	85	XTOUT	125
PVSS	5	HSIN2	46	MD3	86	PVSS	126
PVSS		VSIN2	47	MD12	87	PVSS	
HBOUT	6	AVD_PLL	48	MD4	88	MA4	127
VBOUT	7	AVD_PLL		MD11	89	MA2	128
VB0	8	FILT	49	MD5	90	MA3	129
VB1	9	AVS_PLL	50	MD6	91	DQM1	130
VB2	10	AVD_REF	51	PVDD	92	MD16	131
VB3	11	REFBP	52	PVSS	93	MD31	132
PVDD	12	AVS_REF	53	MD9	94	MD17	133
PVSS	13	AVD_R	54	MD10	95	MD30	134
VB4	14	AVD_R		MD7	96	PVDD	135
VB5	15	R0	55	MD8	97	PVSS	136
VDD	16	AVS_R	56	DQM0	98	MD18	137
VDD		R1	57	WE#	99	MD29	138
VSS	17	AVS_R	58	CAS#	100	MD19	139
VB6	18	R2	59	VSS	101	MD28	140
VB7	19	AVD_G	60	VDD	102	MD20	141
VG0	20	AVD_G		VDD		142	
VG1	21	SOG0	61	PVDD	103	VDD	143
VG2	22	G0	62	PVDD			
VG3	23	AVS_G	63	MCLK	104	VSS	144
PVDD	24	SOG1	64	PVSS	105	MD27	145
PVSS	25	G1	65	PVSS		MD21	146
VG4	26	AVS_G	66	RAS#	106	MD26	147
VG5	27	G2	67	MBA	107	PVDD	148
VG6	28	AVD_B	68	MCS0#	108	PVSS	149
VG7	29	AVD_B		MCS1#	109	MD22	150
VR0	30	B0	69	FBCLK	110	MD25	151
VR1	31	AVS_B	70	MA9	111	MD23	152
VR2	32	B1	71	PVDD	112	MD24	153
VR3	33	AVS_B	72	PVSS	113	DVSS	154
PVDD	34	B2	73	MA8	114	ASVM	155
PVDD		AVS_B	74	MA7	115	IREF	156
PVSS	35	RSTN	75	MA10	116	DAVS	157
VR4	36	GPIO	76	MA6	117	DAVD	158
VR5	37	HALF	77	MA0	118	AGPb	159
VR6	38	MD0	78	MA5	119	AGY	160
VR7	39	MD15	79	MA1	120	AGPr	160
PCLKIN	40	MD1	80				

FUNCTIONAL DESCRIPTION

The TrueView 5725 TV Display Processor consists of a number of functional blocks which are described below.

ADC

The ADC can accommodate input signals with inputs ranging from 0.5V to 1.0V full scale. The full-scale range is set in three 8-bit registers (Red Gain, Green Gain, and Blue Gain).

The ADC offset control shifts the input source a DC level, there are three 7-bit registers (Red Offset, Green Offset, Blue Offset) available to independently control each channel, The offset controls provide a ± 63 LSB adjustment range. If the input range is 1.0V, the adjustable range is $\pm 0.25V$. Every step is 4mV ($0.25 / 63 = 0.004V$). If the input range is 0.5V, the adjustable range is $\pm 0.125V$. Every step is 2mV ($0.125 / 63 = 0.002V$).

The ADC has three input data channels, two SOG input channels and two separate H/V-sync input channels. It also generates an over-sampling clock from H-sync with a frequency range from lower than 10MHz up to 162Mhz.

INPUT FORMATTER

The Input Formatter accepts video data in several formats.

- 24-bit YCbCr or RGB
- 4:4:4 or 4:2:2
- 8 bit ITU-R BT.656
- 8 or 16 or 24 bit ITU-R BT.601
- NTSC or PAL
- 24 bit VGA (800*525@60Hz), SVGA, XGA and SXGA
- 1080i, 720p, 1080p, HD

The True View 5725 can automatically detect all supported monitor and TV modes including NTSC, PAL, VGA, SVGA, XGA, SXGA and HD modes and their supported refresh rate.

DE-INTERLACER

The TrueView5725 Motion Adaptive De-interlacer automatically determines the type of

incoming video content such as film, static interlaced or moving interlaced video. Different algorithms are applied for each content type. The de-interlacer produces a progressive scan video output. Noise which otherwise would be seen as motion can be removed during motion processing. It also uses an edge detection algorithm that enables the smoothing of jagged edges that could occur in the de-interlacing process. Several different detection angles can be programmed.

FILM MODE

The De-interlace Processor can detect video that has originated from film and detects 3:2 or 2:2 pull down. If film originated video is detected the two fields from the original frame are combined into one progressive frame.

Thirty frames per second interlaced video can be output as 60 or 72Hz progressive frames.

Twenty-five frames per second interlaced video can be output as 50 or 75Hz progressive frames, or 100Hz-interlaced fields.

The de-interlacer continuously monitors the incoming video to detect any changes to the pull-down sequence. If a change is detected the deinterlacer quickly adapts its de-interlacing algorithm to compensate.

3D TIME – SPACE CONVERTER

The 3D Time – Space converter is used to alter the size of the picture depending on the output resolution. It contains an Up-Down scaler and Rate converter.

VIDEO PROCESSING

The Video Enhancer is a high-quality programmable processor that brings out details and color in the video.

Output Formatter

The Output formatter formats the output to give the required levels for RGB or YPbPr. It contains a 2X interpolator to increase sharpness that results from a smaller aperture.

Transient Improvement

Digital Chroma Transient improvement (DCTI) improves video by replacing slower edges of the video with edges that have steeper rise and fall times. DCTI turns sloped or sinusoidal waveforms into rectangular or square waveforms with the same duty cycles and peak-to-peak amplitude. It improves the color transitions of vertical objects and reduces color smearing introduced by a video decoder.

Black & white Level Expansion

The black and white-level expander enhances the contrast of the picture. The luminance signal is modified with an adjustable, non-linear function. Dark areas of the picture are made blacker, while bright areas of the picture are made whiter.

2D Peaking

Especially if the input signals are decoded composite signals and a notch filter has been used for luminance/color separation, it is necessary to improve the luminance/color frequency characteristics. The TrueView5725 2D peaking process uses edge enhancement to improve the Y and C sharpness in the vertical and horizontal directions. For Y, there is 2D peaking and for UV, there is only vertical peaking.

Skin tone correction

Skin tone correction is used to alter skin color to make it look more natural.

Non-linear saturation

Non-linear saturation is used to enhance the saturation of some colors without affecting other colors. Both the Y and UV parameters of the range of colors to be enhanced are programmable.

Brightness and Contrast

Brightness and contrast can be programmed by adjusting the offset and gain of the video signal. Contrast is adjusted by multiplying the luminance by a constant. Brightness is adjusted by adding or subtracting a constant, from the luminance value.

Saturation

Saturation can be changed by changing the UV gain of the color signal

Hue

The Hue of the color can be changed by rotating the

UV vectors in either direction.

Background Noise Reduction

Background noise reduction is a process that uses a digital filtering algorithm on the digital image data to reduce the amount of random noise such as RF noise or comb filter artifacts in composite video sources etc. It is 3D motion adaptive and pixel based

Scan Velocity Modulation

The Scan Velocity Modulation (SVM) output is used to modulate the horizontal CRT scan timing. It has the effect of sharpening the transitions from dark to light and light to dark which results in a clearer sharper picture.

ANALOG AND DIGITAL OUTPUT

The Analog Display Port generates the analog RGB or YPbPr with triple Digital-to-Analog Converters (DACs). The DAC's have 10-bit quality. The analog RGB or YPbPr output is generated in synchronization with H and V timing signals. The 16-bit YCbCr digital output is ITU-R BT.601 compatible with a 1 X clock. The output comes from the 3D time-space converter block and is in 4:2:2 format.

MEMORY CONTROLLER

The internal Memory Controller supports the addressing and control of up to 8MB of external SDRAM. The external SDRAM memory buffer is used to store video fields and motion data. The Memory Controller also supports frame rate up-conversion with different input and output refresh rates.

PLL AND OSCILLATOR

The TrueView 5725 integrates a PLL to generate the MCLK to the Memory interface and the VCLK to the display. Only an external crystal is required to be connected between the XTIN and XTOUT pins. On power-up, the PLL is initialized to provide a 108 MHz MCLK and a 27 MHz VCLK when a 27MHz reference is used. Alternatively, the MCLK and VCLK can be driven directly by external clocks.

HOST BUS INTERFACE

Access to the TrueView 5725 registers is provided by an I²C 2-wire serial bus interface. The Interface

supports standard and fast modes, up to 400kbits/S. Only slave mode is supported in the TrueView 5725 TV Display Processor.

The slave address is hardware selectable.

Table 10: I²C Slave Addresses

TrueView 5725 I ² C slave addresses	
Read	Write
2F	2E
AF	AE

OSD

The TrueView 5725 OSD engine is a simple eight icon, hardware graphic engine. It consists of eight 13x13 hard-wired OSD ROM locations containing the most common TV OSD symbols. Brightness, contrast, hue, sound, up/down adjustment, left/right adjustment, horizontal size adjustment, and vertical size adjustment.

Figure 2: OSD Icons



One of eight foreground and background colors can be selected and they can be zoomed in the horizontal or vertical direction up to eight times horizontally and four times vertically.

CLOCK RECOVERY CIRCUITS

The clock recovery circuit generates the ADC sampling clock and its over-sampling clock up to 162Mhz. The hsync signal can also be recovered from the PLL even when the input clock reference is a composite sync signal. This is achieved by sending a COAST high signal to the PLL to disable the PLL from tracking the input reference and to maintain the PLL output clock frequency if the input reference is not a regular period hsync signal. FS, KS and ICP registers are used to optimize the PLL performance for each specific video format. The CKOS register is used to control the over-sampling ratio. The following table gives the possible over-sampling cases. The over sampling ratio is determined by the

relationship of the KS and CKOS register values.

Table 11: Over sampling ratio

KS	CKOS	OSR
00	00	1
01	00	2
	01	1
10	00	4
	01	2
	10	1

APPLICATION NOTES

ADC PIN CONNECTION

The analog RGB signals are connected to the TrueView5725 as shown below:

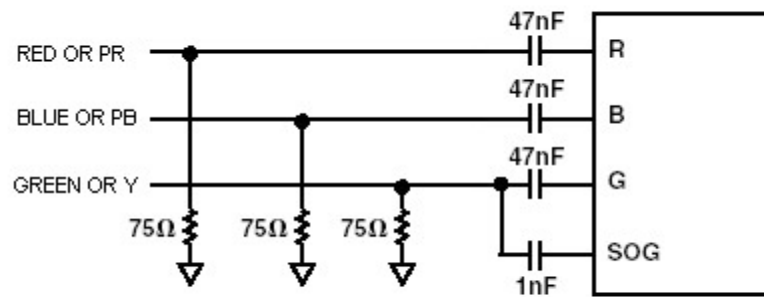


Figure 3: Example ADC Signal Connection

CRYSTAL PIN

1. EXTERNAL

XTIN and XTOUT are the input and output, respectively, of an inverting amplifier, which can be configured for use as an on-chip oscillator, as shown below. A 27 MHz crystal is preferred. In addition to an external crystal, the oscillator requires two external capacitors and an external feedback resistor.

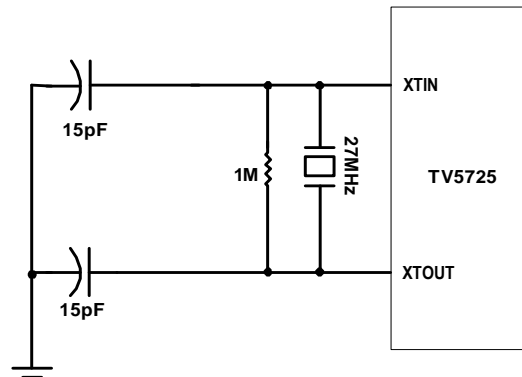


Figure 4: Crystal Connection Diagram

To drive the device from an external clock source, XTIN should be driven, while XTOUT floats, as shown below.

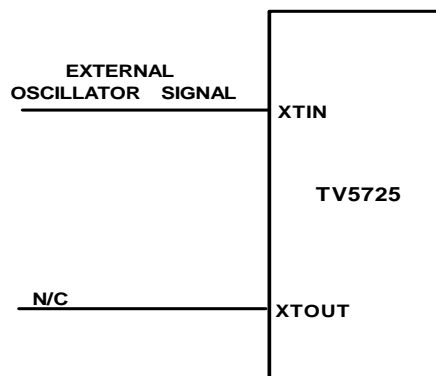


Figure 5: External Clock Drive Configuration

2. INTERNAL

C[2:0] are register bits, for changing the clock driver drive capability. The default value is 0 as shown below. SMT_EN_O is the register bit to select between a TTL or Schmitt trigger input buffer.

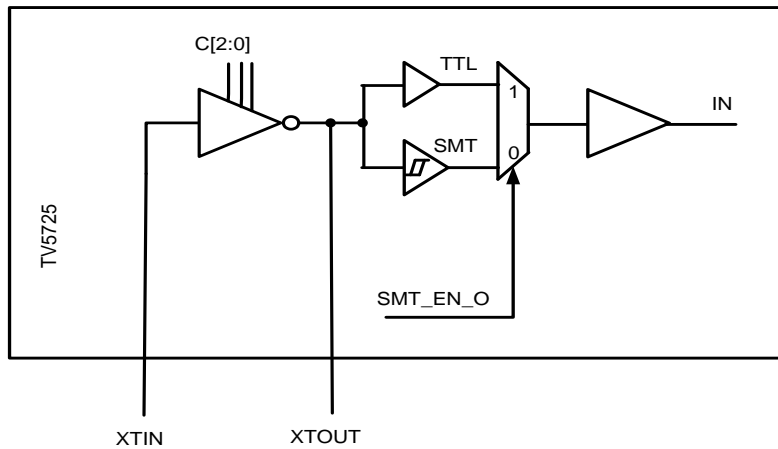


Figure 6: Internal Driver Configuration

VIDEO PORT USAGE

The TrueView 5725 has both analog and digital video input ports.

For analog input port:

- Three ADC input channels 0, 1, 2
- Two separate sync h/v or composite sync for ADC channels 0, 1, 2
- Two SOG inputs for ADC input channels 0, 1

For analog output port:

- One set of RGBS, H/V-sync, H/V-blank outputs
- It can output sync-on-Y YPbPr or sync-on-green RGB signal

For digital input port:

- One digital 24-bit input port
- 8-bit 601/656 YUV, 16-bit YUV, 24-bit YUV/RGB input
- De-in (display enable input) signal

For digital output port:

- Shared with 24-bit digital input port
- 16-bit YUV, 24-bit YUV/RGB.
- De-out (display enable output) signal
- H/V-sync and pixel clock
- H/V Blank <-----Note: H/V blank could be used for letter-box mode and pillar-box mode

The following pages show the port usage and corresponding register programming:

System Solution 1: Digital 24-bit YUV/RGB Input with Analog Output Mode

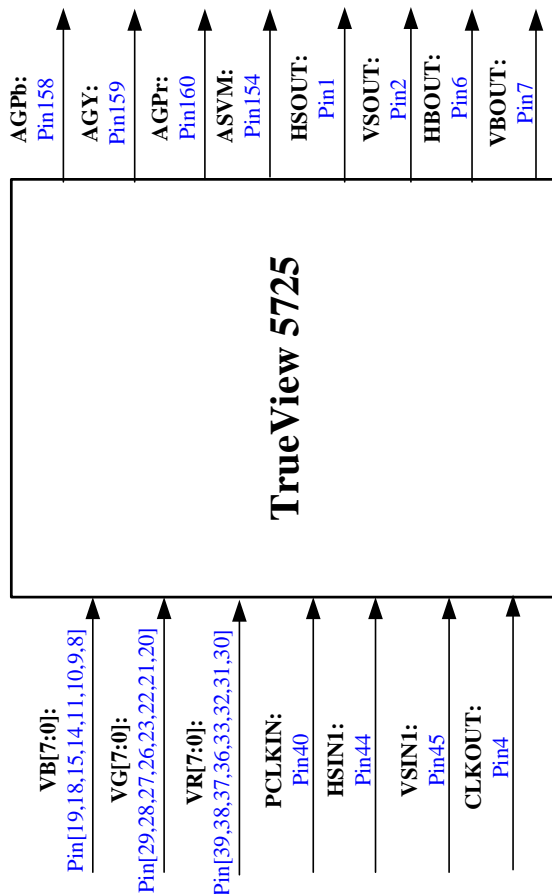


Figure 7: Digital 24-bit YUV/RGB Input with Analog Output Mode

5725 Key Register Setting		
Register Name	Address	Value
pad_bout_en	Reg_S0_48[0]	1'b0
pad_bin_enz	Reg_S0_48[1]	1'b
pad_rout_en	Reg_S0_48[2]	0'b
pad_rin_enz	Reg_S0_48[3]	0'b
pad_gout_en	Reg_S0_48[4]	0'b
pad_gin_enz	Reg_S0_48[5]	0'b
pad_ckout_enz	Reg_S0_49[1]	1'b
pad_sync_out_enz	Reg_S0_49[2]	0'b
pad_blk_out_enz	Reg_S0_49[3]	0'b
vds_do_16b_en	Reg_S3_50[7]	0
out_blank_sel_0	Reg_S0_50[0]	0
if_sel_adc_sync	Reg_S1_28[2]	1'b
if_sel_656	Reg_S1_00[3]	1'b
if_sel16bit	Reg_S1_00[4]	X
if_sel24bit	Reg_S1_01[7]	1'b

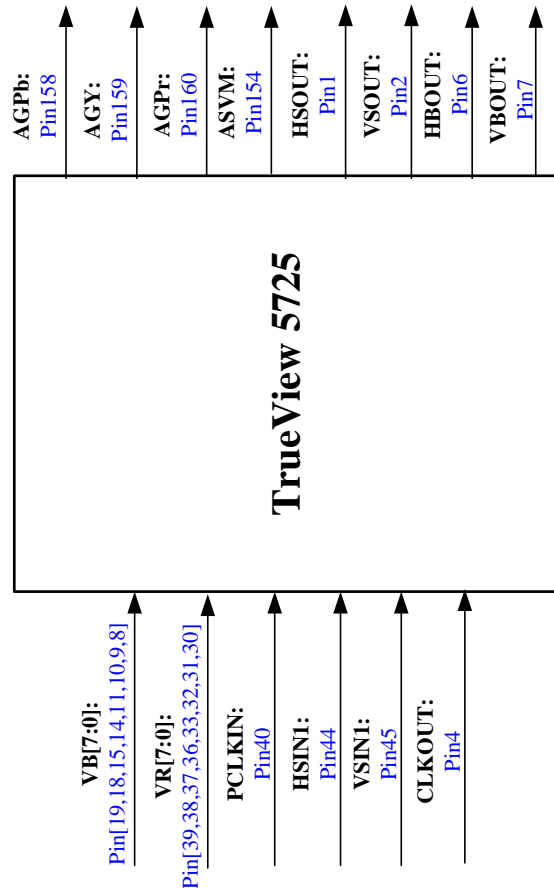
Note: "X" means either "0" or "1" is OK.

Input Pin	Description	Output Pin	Description
VB[7:0]	Digital Blue/U data input	AGPb	Analog Blue/Pb output
VG[7:0]	Digital Green/Y data input	AGY	Analog Green/Y output
VR[7:0]	Digital Red/V data input	AGPr	Analog Red/Pr output
PCLKIN	Pixel clock input	ASVM	Analog SVM output
HSIN1	Video H-sync input	HSOUT	Video H-sync output
VSIN1	Video V-sync input	VSOUT	Video V-sync output
CLKOUT	DE input from DVI/HDMI	HBOUT	Video H-blank output
		VBOUT	Video V-blank output

System Solution 2: Digital 16-bit YUV 4:2:2 Input with Analog Output Mode

5725 Key Register Setting		
Register Name	Address	Value
pad_bout_en	Reg_S0_48[0]	1'b0
pad_bin_enz	Reg_S0_48[1]	1'b
pad_rout_en	Reg_S0_48[2]	1'b
pad_rin_enz	Reg_S0_48[3]	1'b
pad_gout_en	Reg_S0_48[4]	X
pad_gin_enz	Reg_S0_48[5]	X
pad_ckout_enz	Reg_S0_49[1]	1'b
pad_sync_out_enz	Reg_S0_49[2]	1'b
pad_blk_out_enz	Reg_S0_49[3]	1'b
vds_do_16b_en	Reg_S3_50[7]	1'b
out_blank_sel_0	Reg_S0_50[0]	0
if_sel_adc_sync	Reg_S1_28[2]	1'b
if_sel_656	Reg_S1_00[3]	1'b
if_sel16bit	Reg_S1_00[4]	1'b1
if_sel24bit	Reg_S1_01[7]	1'b
		0

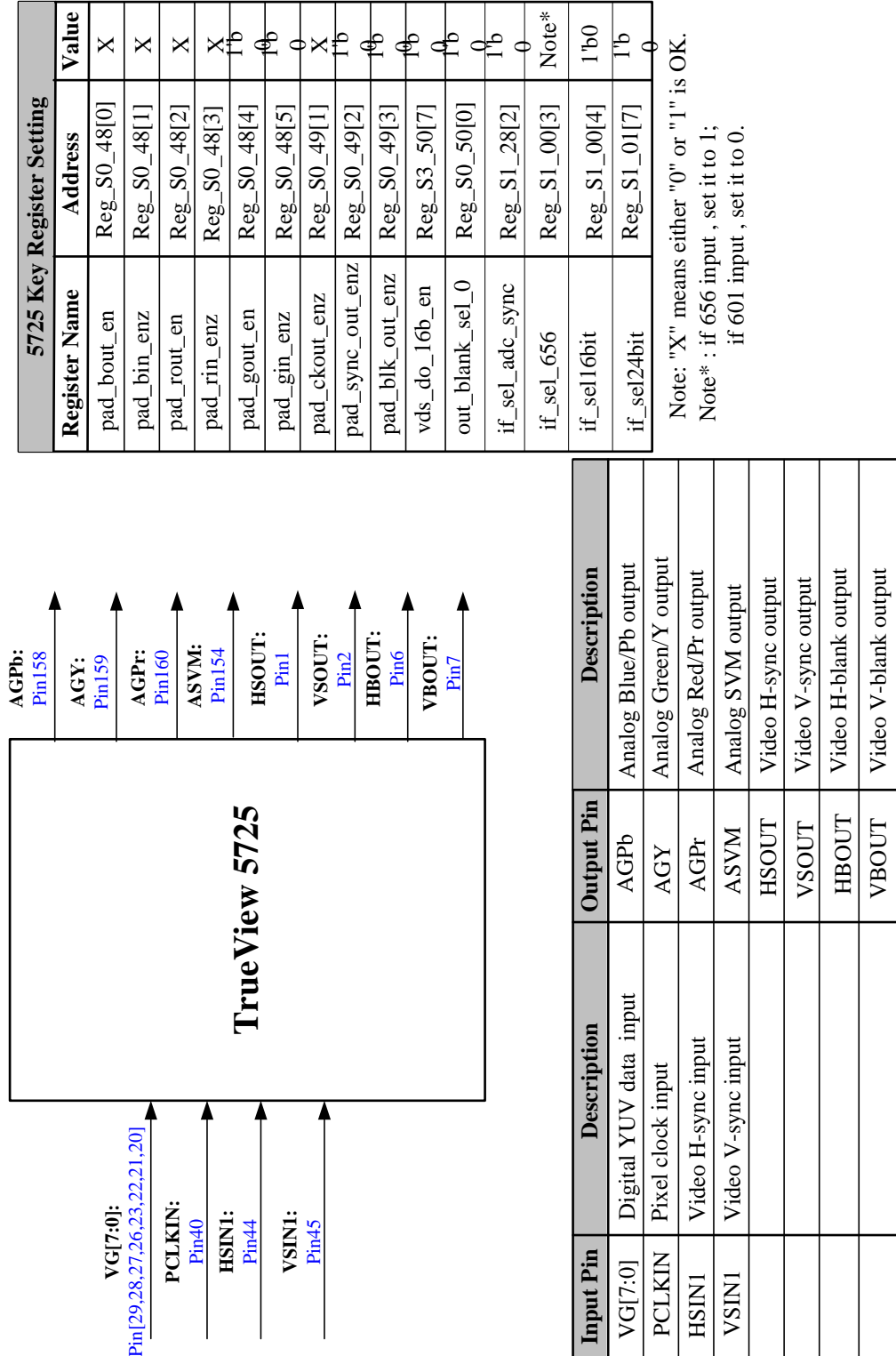
Note: "X" means either "0" or "1" is OK.



Input Pin	Description	Output Pin	Description
VB[7:0]	Digital UV data input	AGPb	Analog Blue/Pb output
VR[7:0]	Digital Y data input	AGY	Analog Green/Y output
PCLKIN	Pixel clock input	AGPr	Analog Red/Pr output
HSIN1	Video H-sync input	ASVM	Analog SVM output
VSIN1	Video V-sync input	HSOUT	Video H-sync output
CLKOUT	DE input from DVI/HDMI	VSOUT	Video V-sync output
		HBOUT	Video H-blank output
		VBOUT	Video V-blank output

Figure 9: Digital 8-bit 601/656 4:2:2 YUV Input with Analog Output Mode

System Solution 3: Digital 8-bit 601/656 4:2:2 YUV Input with Analog Output Mode



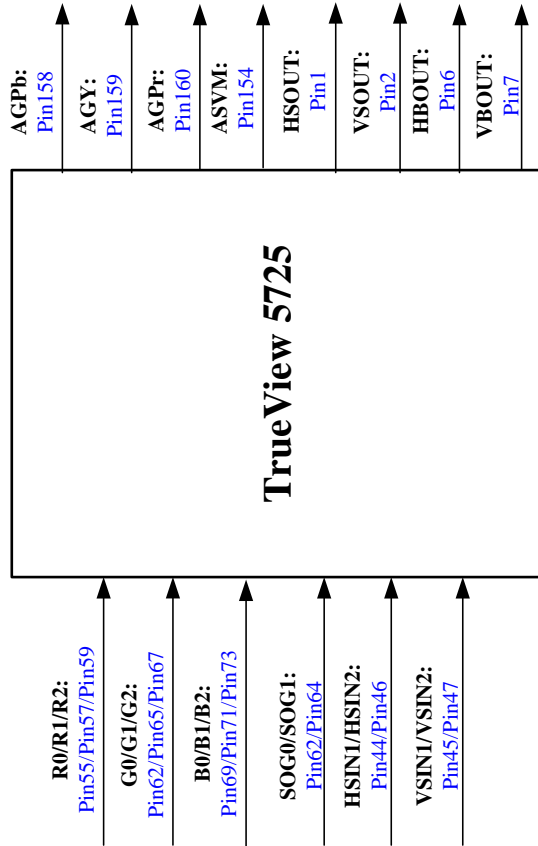
5725 Key Register Setting		
Register Name	Address	Value
pad_bout_en	Reg_S0_48[0]	X
pad_bin_enz	Reg_S0_48[1]	X
pad_rout_en	Reg_S0_48[2]	X
pad_rin_enz	Reg_S0_48[3]	X
pad_gout_en	Reg_S0_48[4]	1'b
pad_gin_enz	Reg_S0_48[5]	0
pad_ckout_enz	Reg_S0_49[1]	X
pad_sync_out_enz	Reg_S0_49[2]	1'b
pad_blk_out_enz	Reg_S0_49[3]	0
vds_do_16b_en	Reg_S3_50[7]	0
out_blank_sel_0	Reg_S0_50[0]	0
if_sel_adc_sync	Reg_S1_28[2]	1'b
if_sel_656	Reg_S1_00[3]	Note*
if_sel16bit	Reg_S1_00[4]	1'b0
if_sel24bit	Reg_S1_01[7]	1'b

Note: "X" means either "0" or "1" is OK.
 Note*: if 656 input, set it to 1;
 if 601 input, set it to 0.

System Solution 4: Analog YUV/RGB Input with Analog Output Mode

5725 Key Register Setting		
Register Name	Address	Value
pad_bout_en	Reg_S0_48[0]	X
pad_bin_enz	Reg_S0_48[1]	X
pad_rout_en	Reg_S0_48[2]	X
pad_rin_enz	Reg_S0_48[3]	X
pad_gout_en	Reg_S0_48[4]	X
pad_gin_enz	Reg_S0_48[5]	X
pad_ckout_enz	Reg_S0_49[1]	X
pad_sync_out_enz	Reg_S0_49[2]	1'b
pad_blk_out_enz	Reg_S0_49[3]	1'b
vds_do_16b_en	Reg_S3_50[7]	0
out_blank_sel_0	Reg_S0_50[0]	0
if_sel_adc_sync	Reg_S1_28[2]	1'b
if_sel_656	Reg_S1_00[3]	1'b
if_sel16bit	Reg_S1_00[4]	X
if_sel24bit	Reg_S1_01[7]	1'b

Note: "X" means either "0" or "1" is OK.



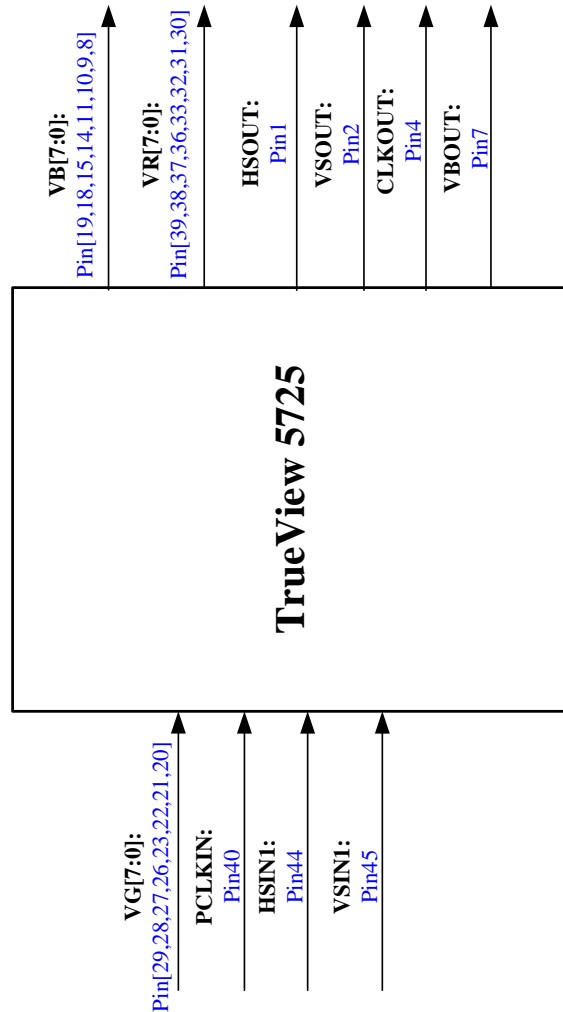
Input Pin	Description	Output Pin	Description
R0/R1/R2	Analog R/V input of CHN0/1/2	AGPb	Analog Blue/Pb output
G0/G1/G2	Analog G/Y input of CHN0/1/2	AGY	Analog Green/Y output
B0/B1/B2	Analog B/U input of CHN0/1/2	AGPr	Analog Red/Pr output
SOG0/SOG1	Analog SOG/Y input of CHN0/1	ASVM	Analog SVM output
HSIN1/HSIN2	Video H-sync input 1/2*	HSOUT	Video H-sync output
VSIN1/VSIN2	Video V-sync input 1/2**	VSOUT	Video V-sync output
		HBOUT	Video H-blank output
		VBOUT	Video V-blank output

Note*: HSIN1/VSIN1 and HSIN2/VSIN2 could be programmed for analog channel 0/1/2

System Solution 5: Digital 8-bit 601/656 4:2:2 YUV Input with 16bit Digital Output Mode

Figure 11: Digital 8-bit 601/656 4:2:2 YUV Input with 16bit Digital Output

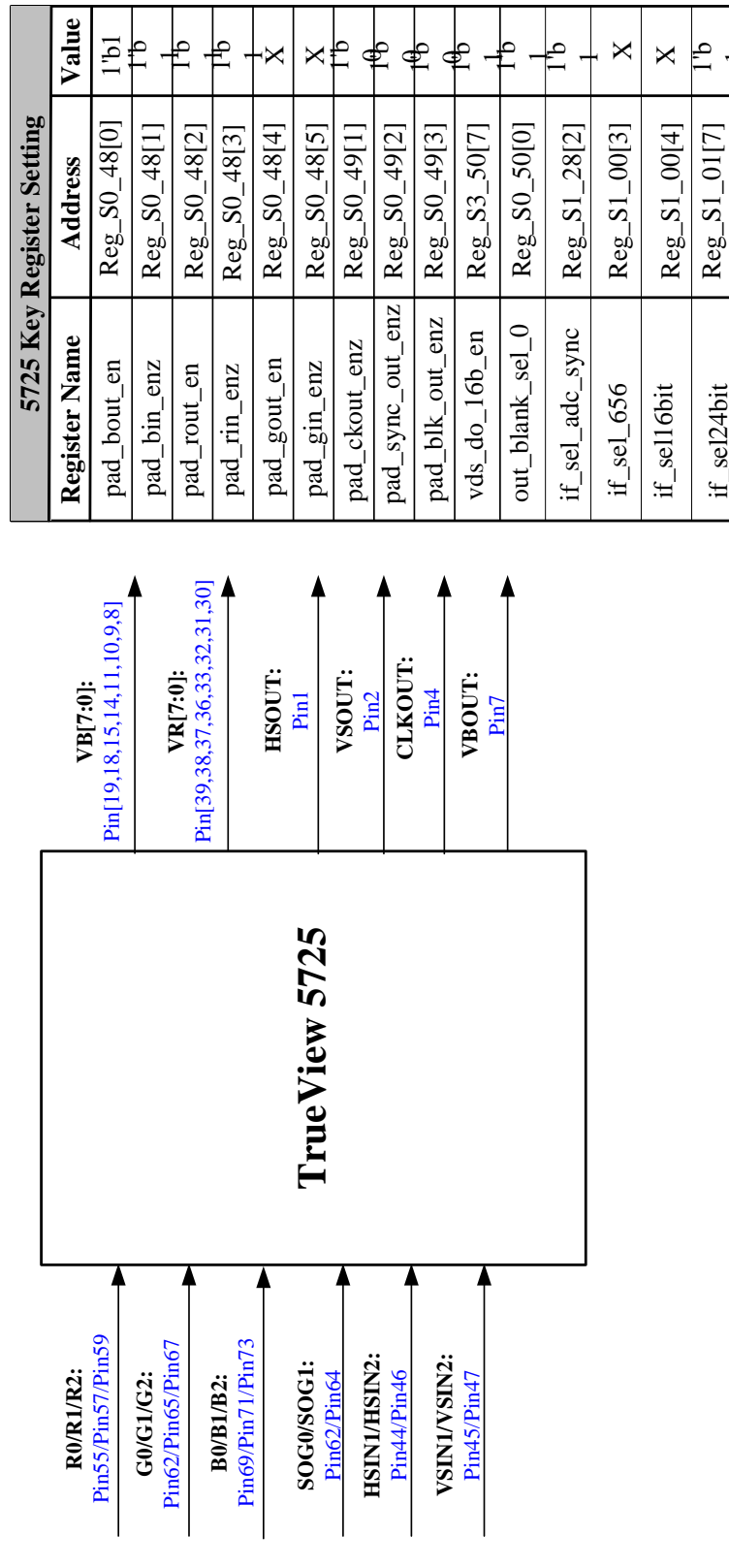
5725 Key Register Setting		
Register Name	Address	Value
pad_bout_en	Reg_S0_48[0]	1'b1
pad_bin_enz	Reg_S0_48[1]	1'b
pad_rout_en	Reg_S0_48[2]	1'b
pad_rin_enz	Reg_S0_48[3]	1'b
pad_gout_en	Reg_S0_48[4]	1'b
pad_gin_enz	Reg_S0_48[5]	0'b
pad_ckout_enz	Reg_S0_49[1]	0'b
pad_sync_out_enz	Reg_S0_49[2]	0'b
pad_blk_out_enz	Reg_S0_49[3]	0'b
vds_do_16b_en	Reg_S3_50[7]	0'b
out_blank_sel_0	Reg_S0_50[0]	1'b
if_sel_adc_sync	Reg_S1_28[2]	1'b
if_sel_656	Reg_S1_00[3]	0
if_sel16bit	Reg_S1_00[4]	1'b0
if_sel24bit	Reg_S1_01[7]	1'b
		0



Note: "X" means either "0" or "1" is OK.

Input Pin	Description	Output Pin	Description
VG[7:0]	Digital YUV data input	VB[7:0]	Digital UV data output
PCLKIN	Pixel clock input	VR[7:0]	Digital Y data output
HSINI	Video H-sync input	HSOUT	Video H-sync output
VSINI	Video V-sync input	VSOUT	Video V-sync output
		CLKOUT	Video display clock output
		VBOUT	Display enable output for LCD

System Solution 6: Analog RGB/YUV Input with 16bit Digital Output Mode



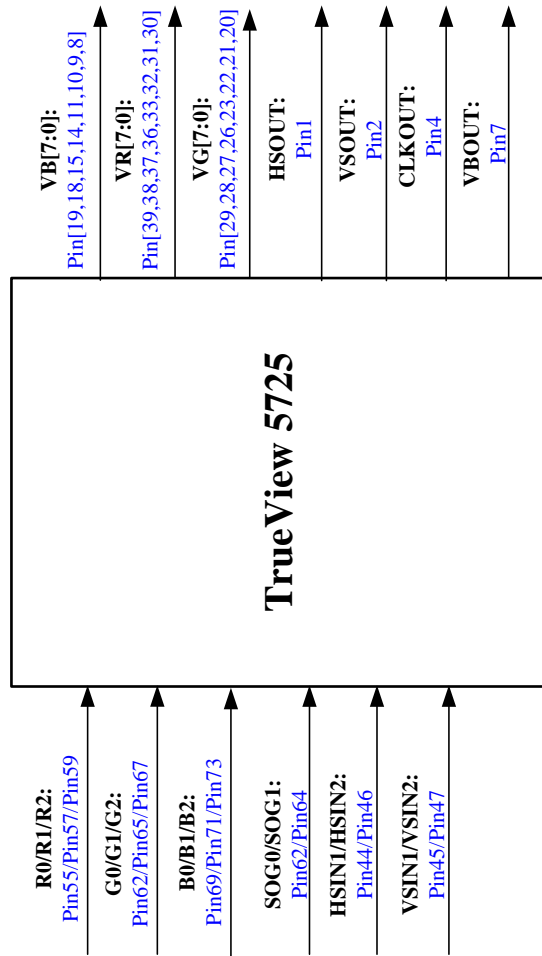
Note: "X" means either "0" or "1" is OK.

Input Pin	Description	Output Pin	Description
R0/R1/R2	Analog R/V input of CHN0/1/2	VB[7:0]	Digital UV data output
G0/G1/G2	Analog G/Y input of CHN0/1/2	VR[7:0]	Digital Y data output
B0/B1/B2	Analog B/U input of CHN0/1/2	HSOUT	Video H-sync output
SOG0/SOG1	Analog SOG/Y input of CHN1/2	VSOUT	Video V-sync output
HSIN1/HSIN2	Video H-sync input 1/2*	CLKOUT	Video display clock output
V SIN1/V SIN2	Video V-sync input 1/2*	VBOUT	Display enable output for LCD

Note*: HSIN1/V SIN1 and HSIN2/V SIN2 could be programmed for analog channel 0/1/2

Figure 13: Analog RGB/YUV Input with 24bit Digital Output Mode

System Solution 7: Analog RGB/YUV Input with 24bit Digital Output Mode



5725 Key Register Setting		
Register Name	Address	Value
pad_bout_en	Reg_S0_48[0]	1'b1
pad_bin_enz	Reg_S0_48[1]	1'b
pad_rout_en	Reg_S0_48[2]	1'b
pad_rin_enz	Reg_S0_48[3]	1'b
pad_gout_en	Reg_S0_48[4]	1'b
pad_gin_enz	Reg_S0_48[5]	1'b
pad_ckout_enz	Reg_S0_49[1]	1'b
pad_sync_out_enz	Reg_S0_49[2]	1'b
pad_blk_out_enz	Reg_S0_49[3]	1'b
vds_do_16b_en	Reg_S3_50[7]	1'b
out_blank_sel_0	Reg_S0_50[0]	1
if_sel_adc_sync	Reg_S1_28[2]	1'b
if_sel_656	Reg_S1_00[3]	1'b
if_sel16bit	Reg_S1_00[4]	X
if_sel24bit	Reg_S1_01[7]	1'b

Note: "X" means either "0" or "1" is OK.

Input Pin	Description	Output Pin	Description
R0/R1/R2	Analog R/V input of CHN0/1/2	VB[7:0]	Digital R/V data output
G0/G1/G2	Analog G/Y input of CHN0/1/2	VG[7:0]	Digital G/Y data output
B0/B1/B2	Analog B/U input of CHN0/1/2	VR[7:0]	Digital B/U data output
SOG0/SOG1	Analog SOG/Y input of CHN1/2	HSOUT	Video H-sync output
HSIN1/HSIN2	Video H-sync input 1/2*	VSOUT	Video V-sync output
VSIN1/V SIN2	Video V -sync input 1/2*	CLKOUT	Video display clock output
		VBOUT	Display enable output for LCD

Note*: HSIN1/V SIN1 and HSIN2/V SIN2 could be programmed for analog channel 0/1/2

BOARD MEMORY CONNECTION:

Figure 14: THREE 1MX16X2BANK MEMORY (1)

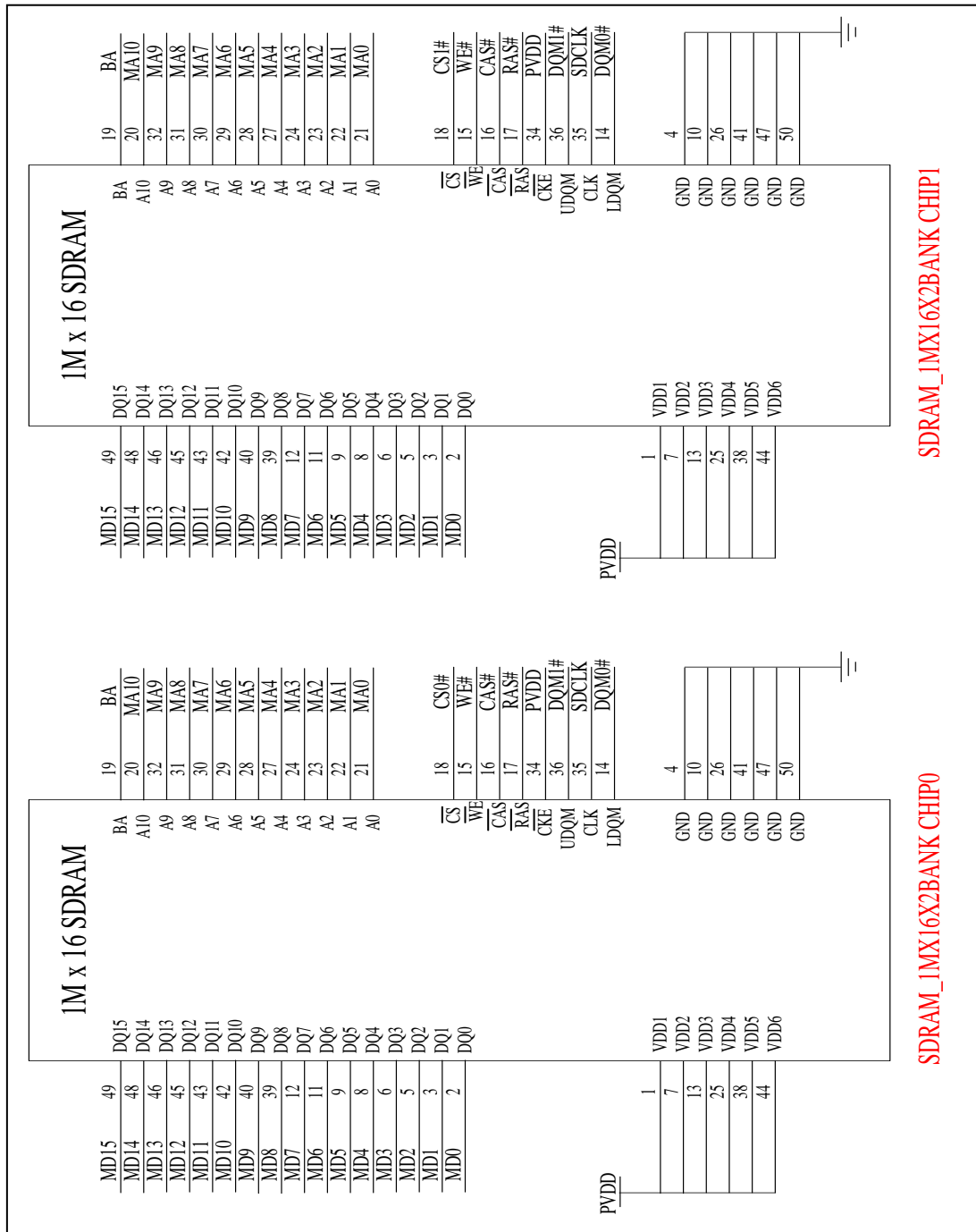


Figure 16: ONE 1MX16X4BANK MEMORY

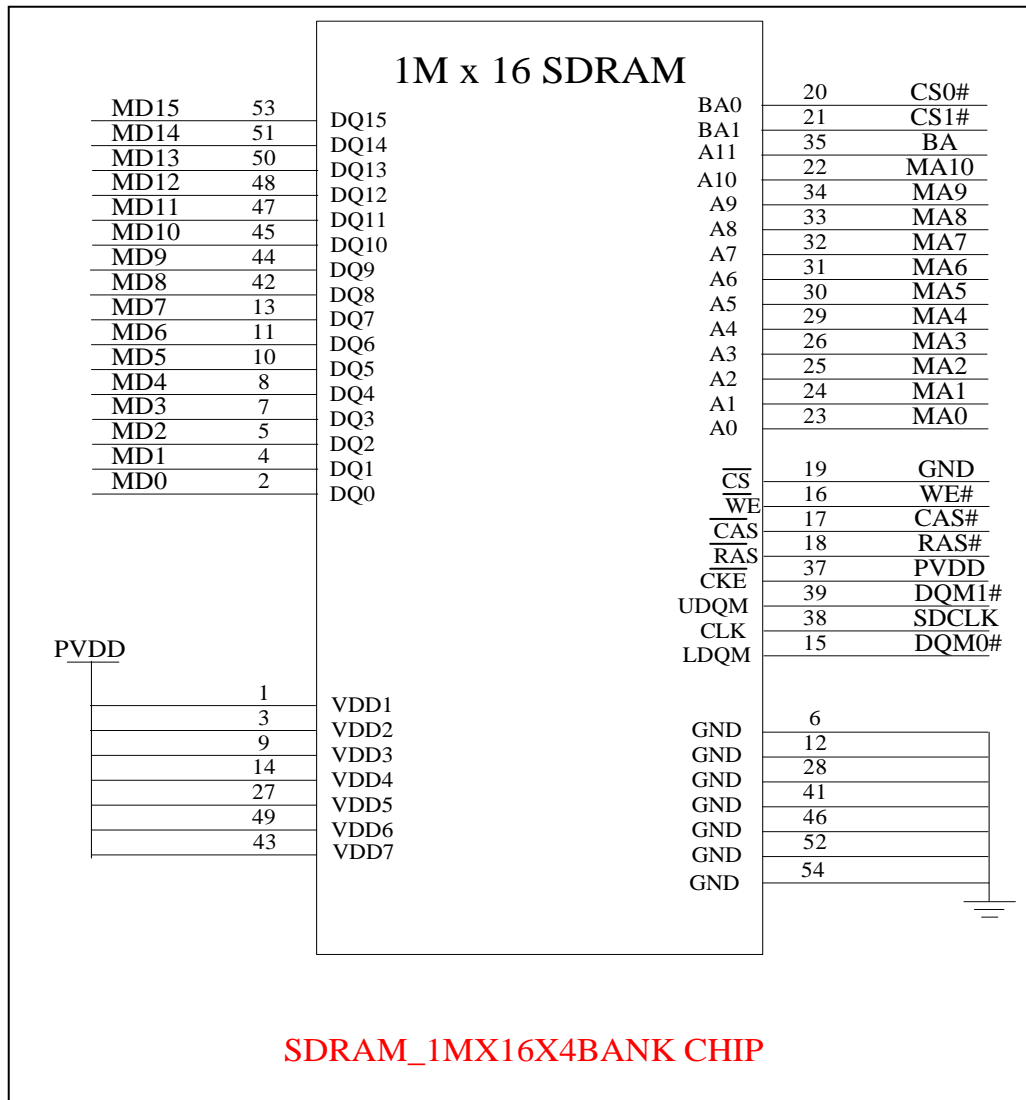


Figure 17: ONE 512KX32X4BANK MEMORY

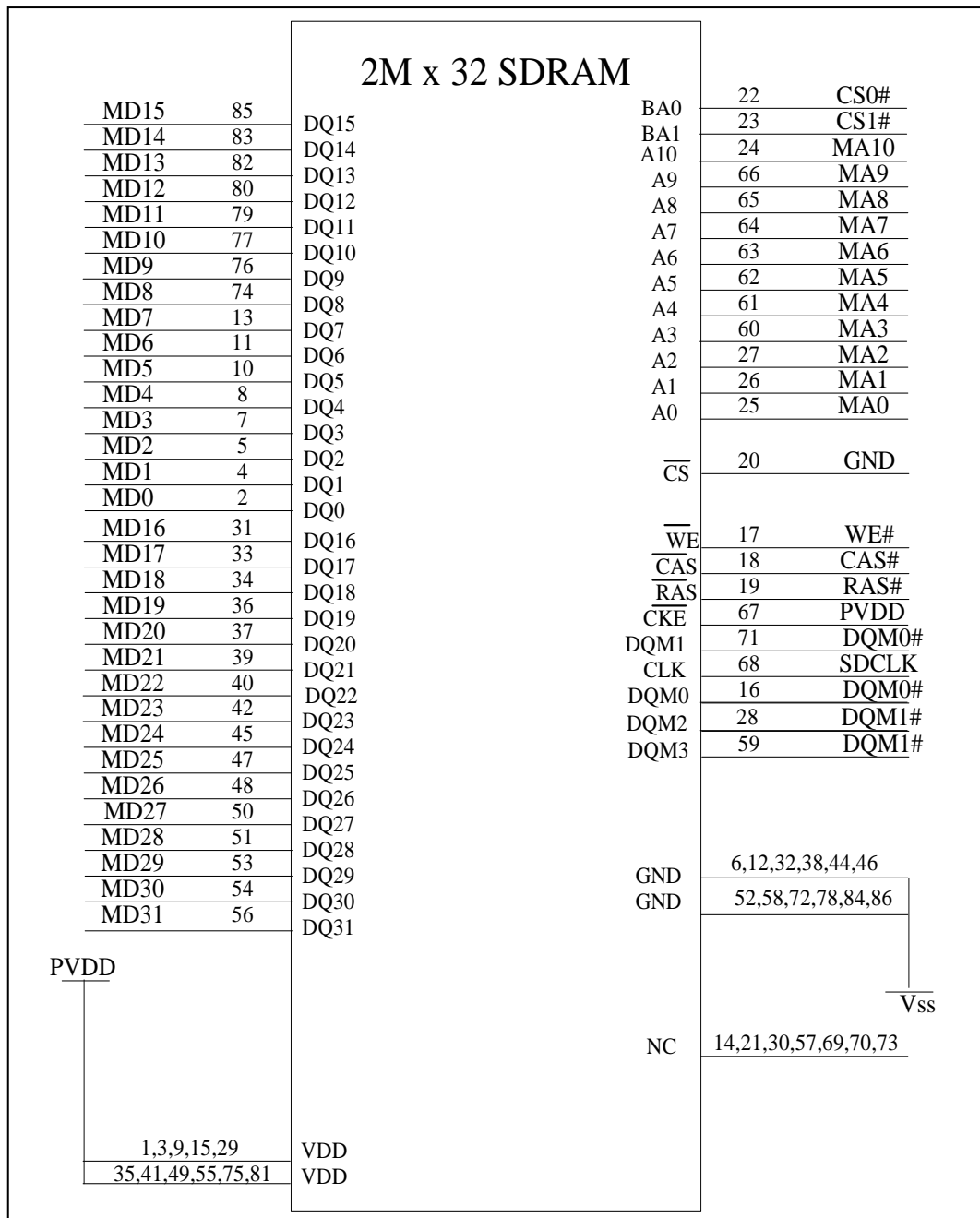
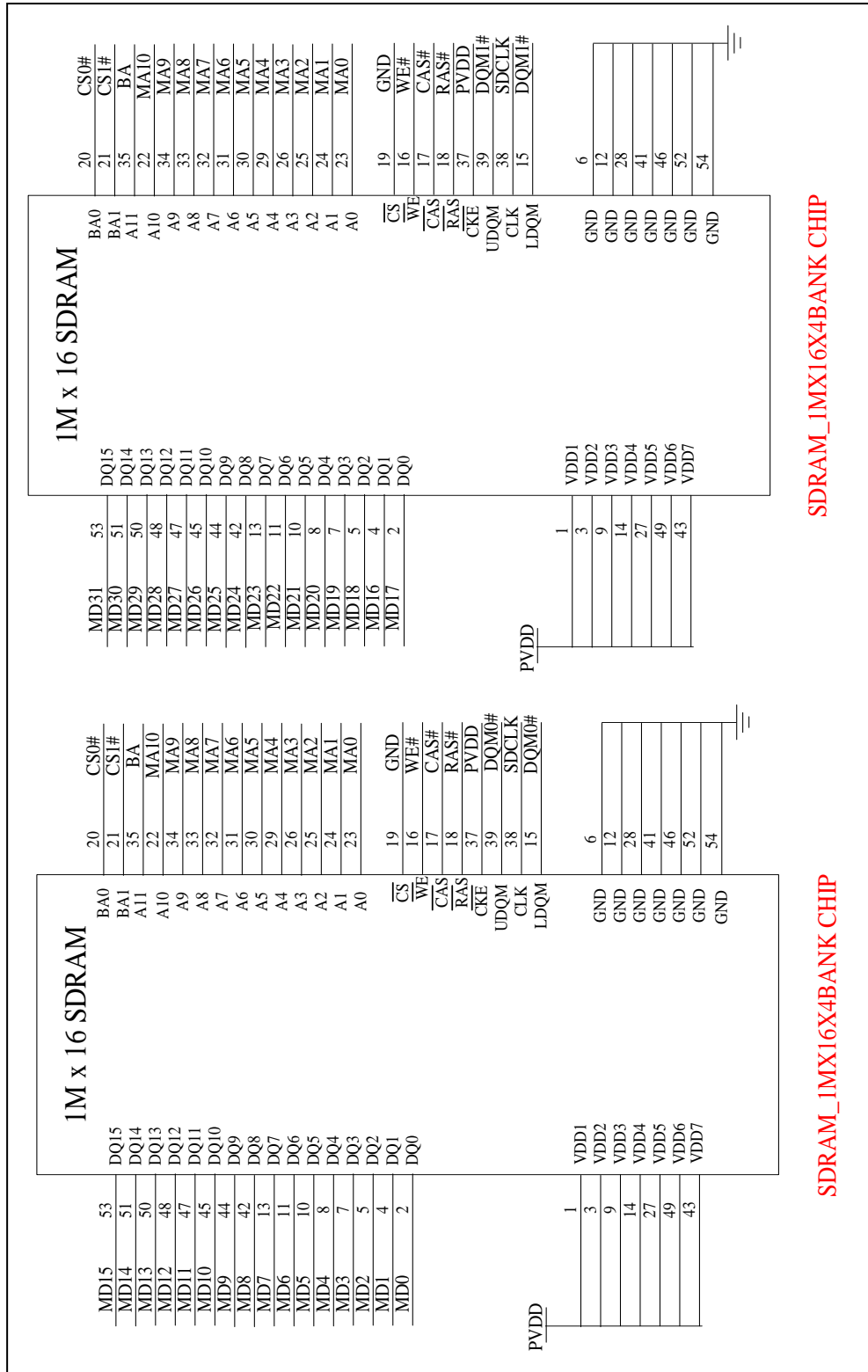


Figure 18: TWO 1MX16X4BANK MEMORY



SDRAM_1MX16X4BANK CHIP

SDRAM_1MX16X4BANK CHIP

ELECTRICAL CHARACTERISTICS

ABSOLUTE MAXIMUM RATINGS

Table 12: Absolute Maximum Ratings

Parameter	Symbol	Min	Max	Units	Conditions
3.3V Power Supply Voltage (Reference to Ground)	VDD ¹	- 0.3	4.0	V	
1.8V Power Supply Voltage (Reference to Ground)	VCC	- 0.3	2.2	V	
Voltage on any input	V _I	- 0.3	VDD+0.3	V	
Storage Temperature	T _S	- 40	125	°C	
Operating temperature	T _O	0	70	°C	

Warning: Stressing the device beyond the “Absolute maximum Ratings” may cause permanent damage.

Notes

¹: TV5725's 3.3V power supply : PVDD, DAVD, PAVD, AVD_PLL, AVD_REF, AVD_R, AVD_G, AVD_B.

DC CHARACTERISTICS

Table 13: DC Characteristics

Parameter	Symbol	Min	Typ	Max	Units	Comments
1.8V Power Supply Voltage (1.8V±5%)	VCC	1.71		1.89	V	1.8V Operation
3.3V Power Supply Voltage (3.3V±5%)	PVDD, DAVD, PAVD, AVD_PLL, AVD_REF, AVD_R, AVD_G, AVD_B	3.135		3.465	V	3.3V Operation
1.8V Supply Current ^{1.a} (VCC)	IVCC		320		mA	
3.3V Supply Current ^{1.a} (PVDD, PAVD, AVD_PLL)	IVDD33		100		mA	
3.3V Supply Current ^{1.b} (AVD_REF, AVD_R, AVD_G, AVD_B)	IAVD		240		mA	
3.3V Supply Current ^{1.c} (DAVD)	IDAVD		85		mA	
Input Low Voltage	VIL	0		0.8	V	
Input High Voltage	VIH	2.0		Vcc + 0.3	V	
Schmitt Input Low Voltage ²	VILS	0		1.0	V	
Schmitt Input High Voltage ²	VIHS	2.4		Vcc + 0.3	V	
Output Low Voltage	VOL			0.4	V	IOL = 8mA
Output High Voltage	VOH	2.4			V	IOH = -8mA
Input Capacitance	CIN		7		pF	
Output Capacitance	COUT		7		pF	

Notes

1. Current measured condition:

- a. @ HD 1080i, 74.25MHz input, SOG, 162MHz 32bit memory, 108MHz Display clock, VCC is 1.8V.
- b. @ UXGA 60Hz, power supply is 3.3V.
- c. For VESA Video Levels, the R_{iref} in the board is 160ohms. The output load is double terminated with 75ohms and 10pf per channel. Full-scale for all four channels is 0.7V, power supply is 3.3V. Measurement temperature is 25°C. This is a preliminary measurement and is subject to change by Tvvia, Inc.

2. Schmitt trigger PADs (Total: 41 Pads):

HSOUT, VSOUT
CLKOUT
HBOUT, VBOUT
VB[0:7]
VG[0:7]
VR[0:7]
PCLKIN
SCLSA
HSIN1, VSIN1, HSIN2, VSIN2
RSTN
GPIO
HALF
MBA
MCS1#
FBCLK

AC CHARACTERISTICS

Figure 19: Video Input Port AC Timing

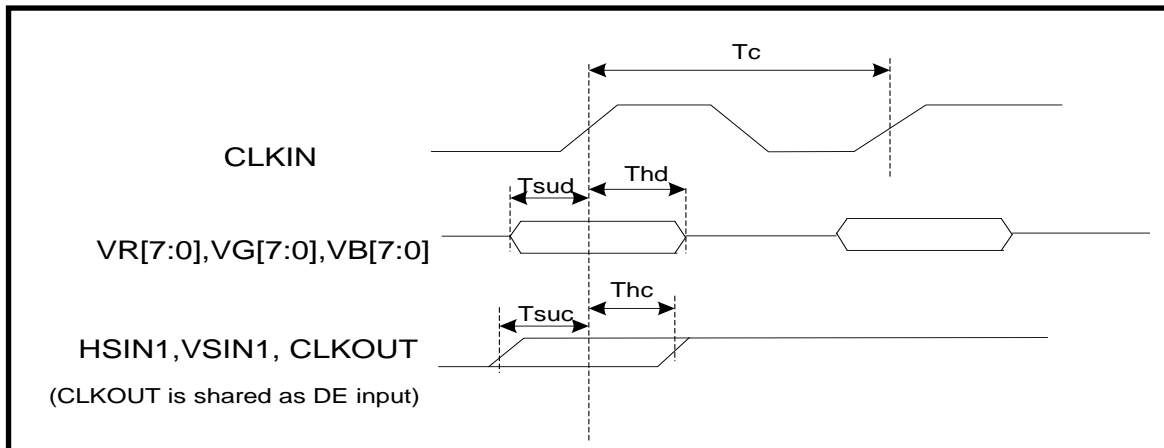


Table 14: Video Input Port AC Timing

Parameter	Symbol	Min	Typ	Max	Units	Conditions
VR[7:0], VG[7:0], VB[7:0] Setup Time to CLKIN	T_{sud}	2			ns	
VR[7:0], VG[7:0], VB[7:0] Hold Time to CLKIN	T_{hd}	5			ns	
HSIN1, VSIN1, CLKOUT Setup Time to CLKIN	T_{suc}	2			ns	
HSIN1, VSIN1, CLKOUT Hold Time to CLKIN	T_{hc}	6			ns	
CLKIN Frequency	$1/T_{mc}$			80	MHz	

Figure 20: Video Output Port AC timing

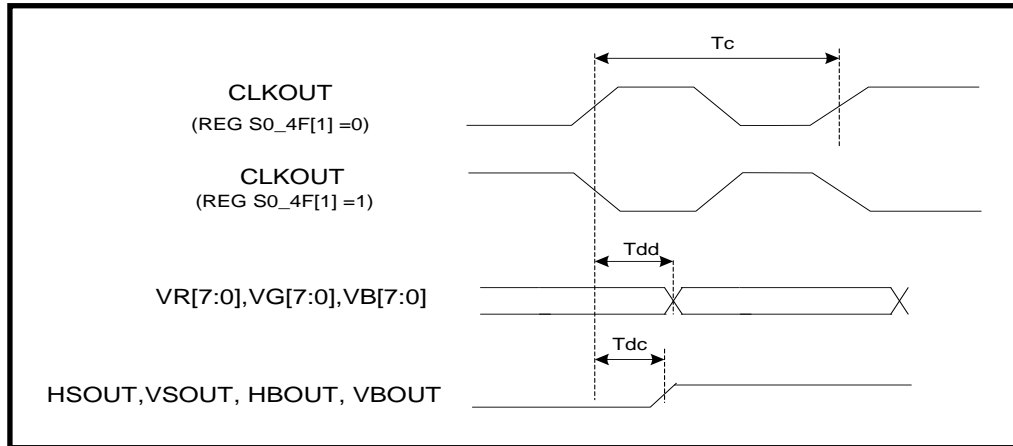


Table 15: Video Output Port AC timing

Parameter	Symbol	Min	Typ	Max	Units	Conditions
VR[7:0], VG[7:0], VB[7:0] Delay Timing from CLKOUT	T _{dd}	-1		1.5	ns	20pF load
HSOUT, VSOUT, HBOUT, VBOUT Delay Timing from CLKOUT	T _{hd}	-1		2.5	ns	20pF load
CLKOUT Frequency	1/T _{mc}			108	MHz	20pF load

MEMORY INTERFACE AC CHARACTERISTICS

Figure 21: Memory Interface AC Input timing

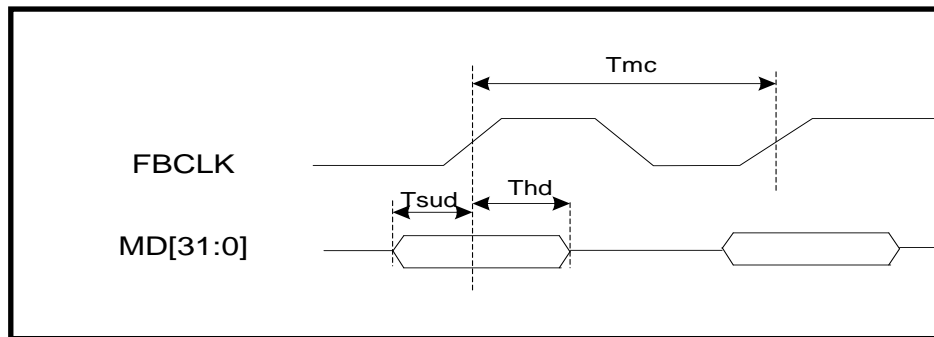


Table 16: Memory Interface AC Input timing

Parameter	Symbol	Min	Typ	Max	Units	Conditions
MD[31:0] Setup Time to FBCLK	T_{sud}	2.0			ns	
MD[31:0] Hold Time to FBCLK	T_{hd}	1.5			ns	
FBCLK Frequency	$1/T_{mc}$			162	MHz	

Figure 22: Memory Interface AC output timing

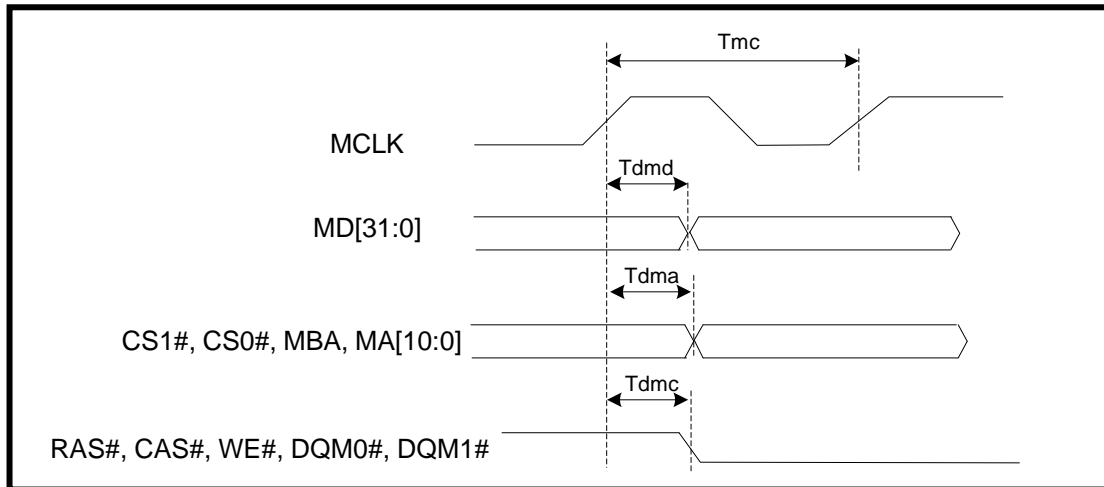
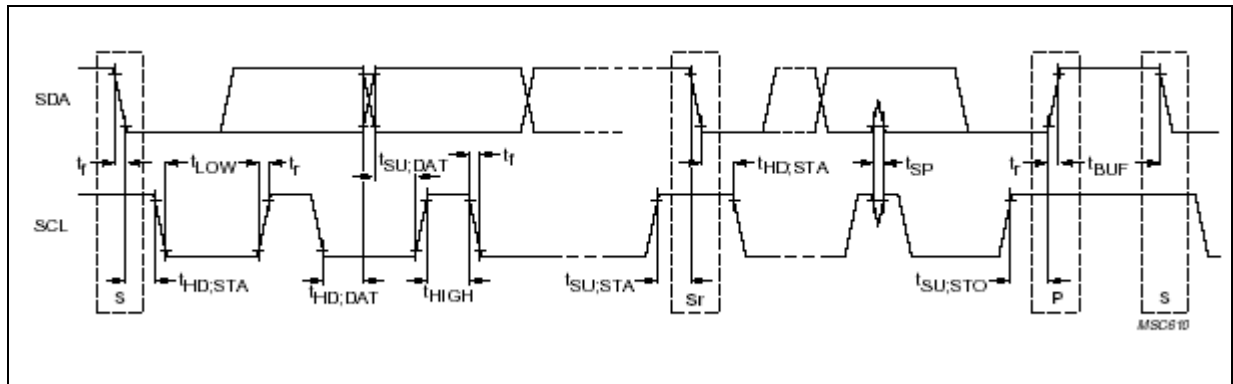


Table 17: Memory Interface AC output timing

Parameter	Symbol	Min	Typ	Max	Units	Conditions
MD[31:0] Delay Time from MCLK	Tdmd	3.7		5.4	ns	20pF load
CS1#, CS0#, MBA, MA[10:0] Delay Time from MCLK	Tdma	3.7		5.4	ns	20pF load
RAS#, CAS#, WE#, DQM0#, DQM1# Delay Time from MCLK	Tdmc	3.7		5.4	ns	20pF load
MCLK Frequency	1/Tmc			162	MHz	20pF load

Figure 23: Definition of timing for F/S-mode devices on the I²C-bus



* **Figure 7 Referenced document:**

Philips Semiconductors, "The I²C-BUS Specification, version 2.1 --- January 2000"

Page 33: Fig. 31: Definition of timing for F/S-mode devices on the I²C-bus.

Table 18: Characteristics of the SDA and SCL bus lines for F/S-mode I²C-bus devices

PARAMETER	SYMBOL	STANDARD-MODE		FAST-MODE		UNIT
		MIN.	MAX.	MIN.	MAX.	
SCL clock frequency	f _{SCL}	0	100	0	400	kHz
Hold time (repeated) START condition. After this period, the first clock pulse is generated	t _{HD;STA}	4.0	–	0.6	–	μs
LOW period of the SCL clock	t _{LOW}	4.7	–	1.3	–	μs
HIGH period of the SCL clock	t _{HIGH}	4.0	–	0.6	–	μs
Set-up time for a repeated START condition	t _{SU;STA}	4.7	–	0.6	–	μs
Data hold time: for CBUS compatible masters	t _{HD;DAT}					
for I ² C-bus devices		5.0 0 ⁽²⁾	– 3.45 ⁽³⁾	– 0 ⁽²⁾	– 0.9 ⁽³⁾	μs μs
Data set-up time	t _{SU;DAT}	250	–	100 ⁽⁴⁾	–	ns
Rise time of both SDA and SCL signals	t _r	–	1000	20 + 0.1C _b ⁽⁵⁾	300	ns
Fall time of both SDA and SCL signals	t _f	–	300	20 + 0.1C _b ⁽⁵⁾	300	ns
Set-up time for STOP condition	t _{SU;STO}	4.0	–	0.6	–	μs
Bus free time between a STOP and START condition	t _{BUF}	4.7	–	1.3	–	μs
Capacitive load for each bus line	C _b	–	400	–	400	pF
Noise margin at the LOW level for each connected device (including hysteresis)	V _{nL}	0.1V _{DD}	–	0.1V _{DD}	–	V
Noise margin at the HIGH level for each connected device (including hysteresis)	V _{nH}	0.2V _{DD}	–	0.2V _{DD}	–	V

Notes:

1. A device must internally provide a hold time of at least 300 ns for the SDA signal (referred to the V_{IHmin} of the SCL signal) to bridge the undefined region of the falling edge of SCL.
2. The maximum t_{HD;DAT} has only to be met if the device does not stretch the LOW period (t_{LOW}) of the SCL signal.
3. A Fast-mode I²C-bus device can be used in a Standard-mode I²C-bus system, but the requirement t_{SU;DAT} ≥ 250 ns must then be met. This will automatically be the case if the device does not stretch the LOW period of the SCL signal. If such a device does stretch the LOW period of the SCL signal, it must output the next data bit to the SDA line t_{r max}+ t_{SU;DAT} = 1000 + 250 = 1250 ns (according to the Standard-mode I²C-bus specification) before the SCL line is released.
4. C_b = total capacitance of one bus line in pF.

*** Table 17 Referenced document:**Philips Semiconductors, "The I²C-BUS Specification, version 2.1 --- January 2011"Page 32: Table 5: Characteristics of the SDA and SCL bus lines for F/S-mode I²C-bus devices¹

DAC CHARACTERISTICS

Table 19: DAC Characteristics

Parameter	Min	Typical	Max	Unit	Notes
Resolutions			10	Bits	
Number of channels	4				
Clock Rate		162		MHz	
INL	-1.0		+1.0	LSB	
DNL	-1.0		+1.0	LSB	
Full Scale Voltage	665	700	770	mV	1, 2
LSB Current		18.2		uA	1
Monotonicity	Guaranteed				
RGB Video Output Rise Time (10-90% of full-scale)		2.6	4.7	ns	3
RGB Video Output Fall Time (10-90% of full-scale)		2.5	4.0	ns	3

NOTES:

1. For VESA Video Levels, the R_{ref} in the board is 160ohms. The output load is double terminated with 75ohms and 10pf per channel. Full-scale for all four channels is 0.7V.
2. For good linearity, the full-scale voltage should be less than 1V when the output load is 75ohms and 10pf per channel.
3. As measured with 37.5ohm and 10pf load.

ADC CHARACTERISTICS

Table 20: ADC Characteristics

Parameter	Min	Typical	Max	Unit	Notes
Resolutions			8	Bits	
Number of channels	3				
Sampling Frequency (Fs)	10		162	MHz	
Full Scale Adjust Range at RGB Inputs	0.5		1	V	1
Reference Voltage		1.24		V	2
INL		+/- 1.2		LSB	
DNL		+/- 0.8		LSB	
No Missing Codes	Guaranteed				

NOTES:

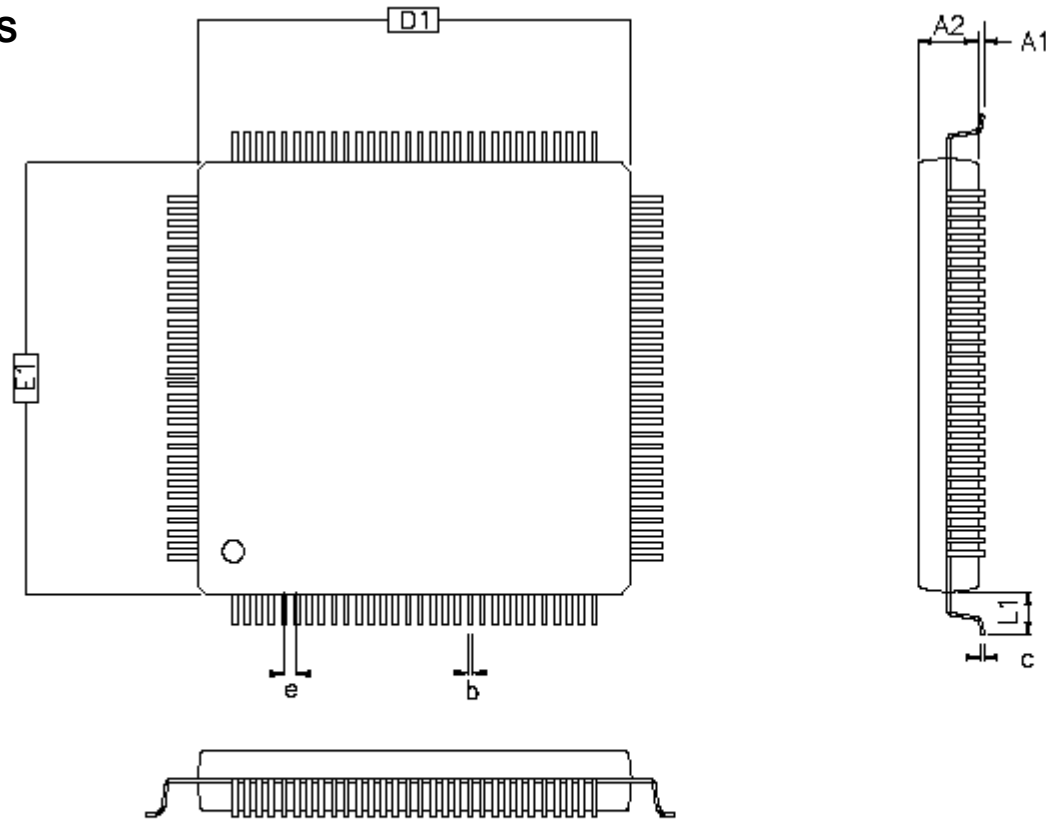
1. Operation with 8-bit gain controller and 7-bit offset controller.
2. Internal reference voltage output.

Figure 24: Package Dimensions for QFP160 Package

PACKAGE DIMENSIONS

In Millimeters

	Min	Typ	Max
A1	0.25		
A2	3.2	3.32	3.6
L1	1.6REF		
b	0.22	0.3	0.38
c	0.09	0.15	0.2
e	0.65 BSC		
D1		28	
E1		28	



CONTACT INFORMATION

Tvia, Inc., USA

4800 Great America Parkway,
Suite 405,
Santa Clara, CA 95054
U.S.A.

Tel: 408-400-3702

Fax: 408-982-8591

Email: sales@tvia.com

Tvia, Inc., Zhuhai China

Rm 414, 4F, Bldg D1, NO.1, Software
Road, Tangjia,
Zhuahai city, Guangdong,
P.R. China
519082

Tel: 86-756-362 8728

Fax: 86-756-362 7758

Email: sales@tvia.com
