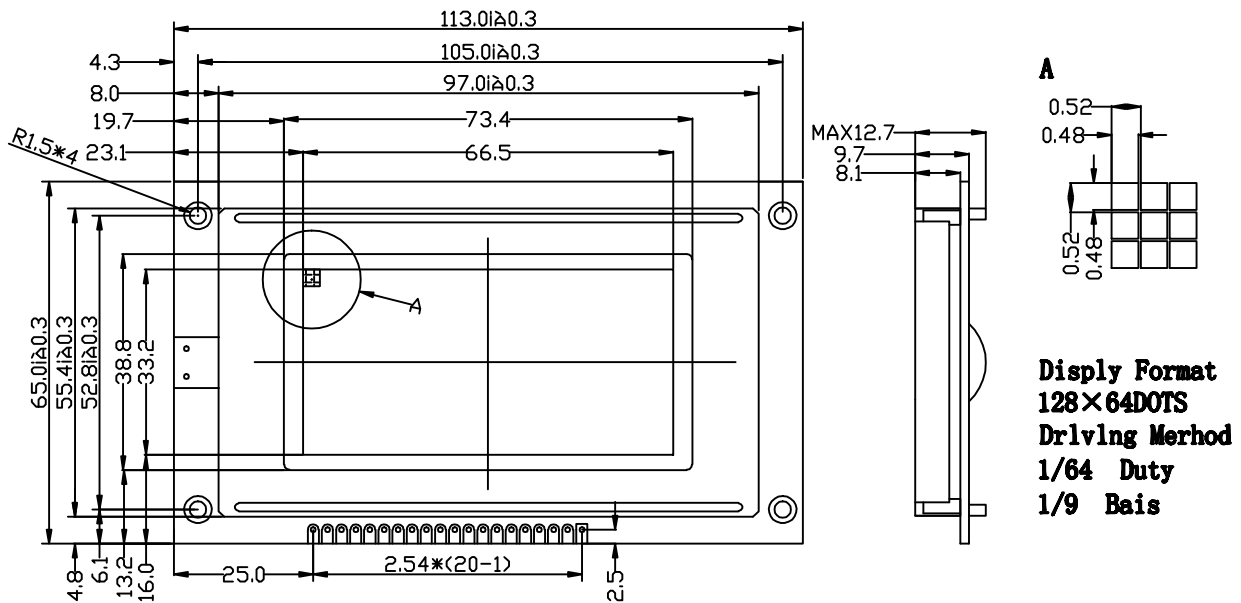


WSM12864-1

① PHYSICAL DIMENSION/外型尺寸



② FEATURES/特征

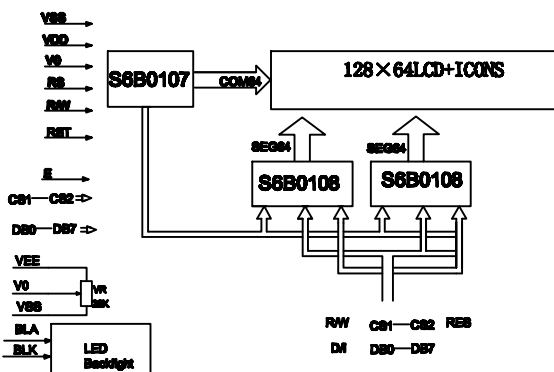
Feature(特征)	UNIT(单位)
LCD type & Colour(类型及颜色)	STN Yellow-green ;STN Blue
View Angle(视角)	6 0' c'clock
Operating temperature(工作温度)	-20℃ — 70℃
Storage Temperature(贮存温度)	-30℃ — 80℃
Control IC & Package(控制芯片及封装)	S6B0107 , COB
Weight(重量)	98 (With B/L)
Backlight(背光类型)	LED

Ta=25℃		MIN(最小)	TYP(典型)	MAX(最大)	UNIT(单位)
Supply current don't contain backlight(无背光时电流)		0	9.2		mA
VDD(电源)		-0.3	5.0	5.5	V
VLCD-V0LCD驱动电压		0	-4.7		V
Backlight LED (背光电压, 电流)	侧背光	0	5.0	5.0	V
		0	75		mA
	底背光	0	5.0	5.5	V
		0	180		mA

③ PIN CONFIGURATION/管脚说明

PIN	SYMBOL	DESCRIPTION(定义描述)	
1	VSS	Power ground (地)	
2	VDD	Power positive (逻辑电压)	
3	V0	Operating voltage for LCD Driver (对比度调节)	
4	RS	H:Data L:Instruction Code (指令 数据信号)	
5	R/W	Read or Write. (写数据)	
6	E	Enable trigger. (使能信号)	
7	DB0	Data bus [0~7]. There state I/O common terminal. (数据线0-7)	
14	DB7		
15	CS1		Chip select signal (片选1)
16	CS2		Chip select signal (片选2)
17	RST		Reset Signal (复位)
18	VEE		Negative voltage output (负压输出)
19	BLA		Power supply for backligh (+) (背光正极)
20	BLK		Power supply for backligh (+) (背光负极)

④ BLOCK DIAGRAM/原理电路



⑤ ELUCIDATION/补充备注