



Technical Specifications *

简单介绍

GPR-1600 PPM级氧分析仪是一款在线进行分析,应用:对惰性气体, He, H₂, 混合气体及CO₂中的氧含量进行100ppb至1%微量分析

PPM级氧分析仪 的详细介绍 技术参数

精 度: 恒定条件下<1%满量程
范 围: ,0-10ppm,0-100ppm,0-1000ppm,0-1%,
0-25%自动切换或手动可调
认 证: CE
区域等级: 普通用途
报 警: 2路继电器报警输出, 传感器失灵报警输出, 电源失败报警输出, 系统失败报警输出
标 定: 使用浓度大约为80%量程或更高的经过认证的标准气体
补 偿: 压力及温度补偿, 可选温控系统
接 口: 1/8" 压紧管接口
控 制: 量程选择开关, 防水键, 标定, 报警及系统功能
数据存储: 自动数据存储功能
显 示: 5" x 2.75"; 分辨率: 0.01ppm; 实时显示温度及压力
安装尺寸: 铝材12" x 12" x 8" 壁挂
流量影响: 0.5-1.5 L/M, 推荐流量: 1 L/M
线 性: >.995超过所有量程
压 力: 进样5-30 psig; 最大100 psig; 排空-大气压
电 源: 220VAC
恢复时间: 在空气中曝露60秒用N₂清洗至<10ppm在1小时以内
响应时间: 90%满量程为10秒
样气系统: 流量控制, 流量指示, 取样/旁路阀
灵 敏 度: 0.5%满量程
传感器型号: GPR-12-333, 免维护
传感器寿命: 平均氧浓度<1000ppm时为24个月, 25
输 出: 4-20mA隔离和0-1V
温度范围: 5-45
质 保 期: 12个月, 包括分析仪和传感器
样气接触部分: 不锈钢

Optional Equipment

XLT-12-333氧传感器, 当背景气CO₂>0.5%时
温控系统
样气预处理系统---请联系厂家
各种安装形式, 请见后面一页或联系厂家

* Specifications are subject to change without notice, may vary with analyzer.

GPR-1600 Series ppm O₂ Analyzer



Advanced Sensor Technology

Accuracy < ±1% FS Range
Sensitivity < 0.5% FS Range
Fast Recovery to < 10 ppm
24 Month Expected Life
No Maintenance
Compatible in 0-100% CO₂

Auto Zero, Span Calibration

5 Standard Ranges

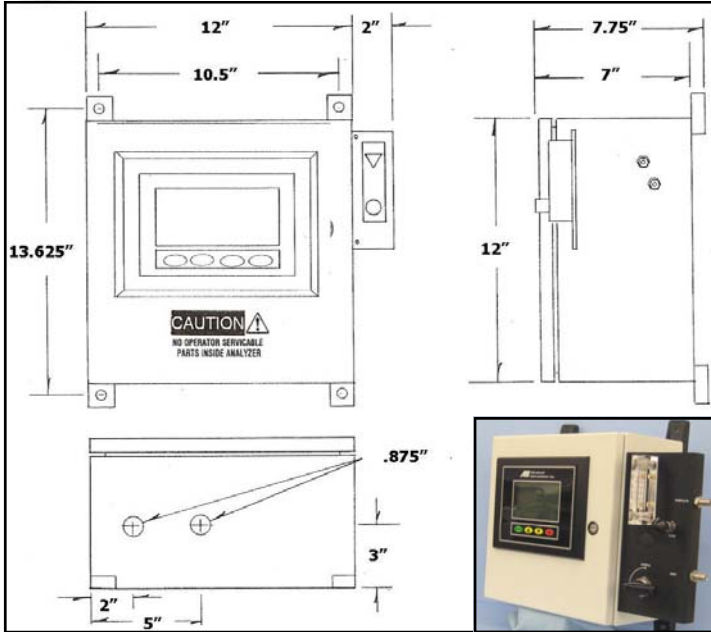
Auto Ranging & Manual Selections

Remote Communication Link

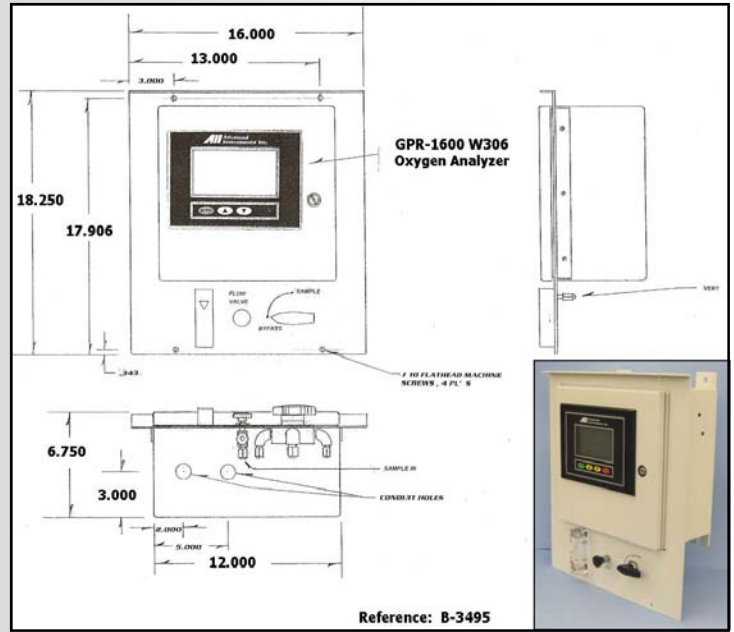
Certified ISO 9001 QA System



**GPR-1600 W
Process ppm O2 Analyzer**



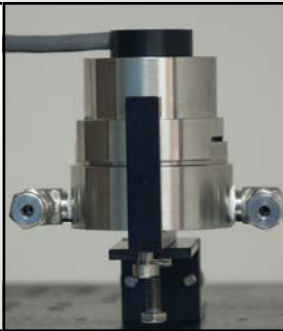
**GPR-1600 W306
Process ppm O2 Analyzer**



Sensor Housing

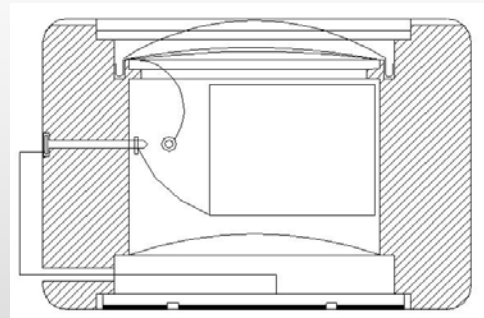
Constructed from stainless steel as are all wetted parts, this unique design features a compression type o-ring seal that virtually eliminate air leaks.

An APIMS mass spectrometer verified that the Bypass Sample System including this housing is capable of accurately and repeatedly distinguishing hourly changes of 1 ppb oxygen concentration.



Advanced Sensor Technology

The sensor is the heart of any analyzer, thus sensor technology is the critical factor in analyzer performance. Analytical Industries Inc. dba Advanced Instruments focuses on optimizing the sensor to meet specific application needs and has produced the first real advancements in sensor technology in decades. All products are manufactured under an independently certified QA system that complies with ISO 9001:2000.



Galvanic ppm Oxygen Sensor

Advancements:

- Signal output 2x higher
- Innovative design, materials
- Proprietary mfg process
- Insensitive to vibration
- Retain compact design
- Low cost of ownership

Performance:

- Accuracy < ± 1% FS
- Sensitivity 0.5% FS (50 ppb)
- Service life 24 mos < 100 ppm
- Recovery air to 10 ppm < 1 hr.
- Op temp -20°C in 0-100% CO₂
- No sensor maintenance

Bypass Sample System

Increases user productivity and ROI by protecting the sensor's ppm capability which enables the analyzer to come online at low ppm levels in a matter of minutes by isolating and protecting the sensor following:

- Transport (analyzer is shipped with the qualified sensor installed)
- Maintenance intervals when changing gas line connections
- Exposure to high oxygen levels during upset conditions
- Purging the air or high O₂ levels when changing gas lines

