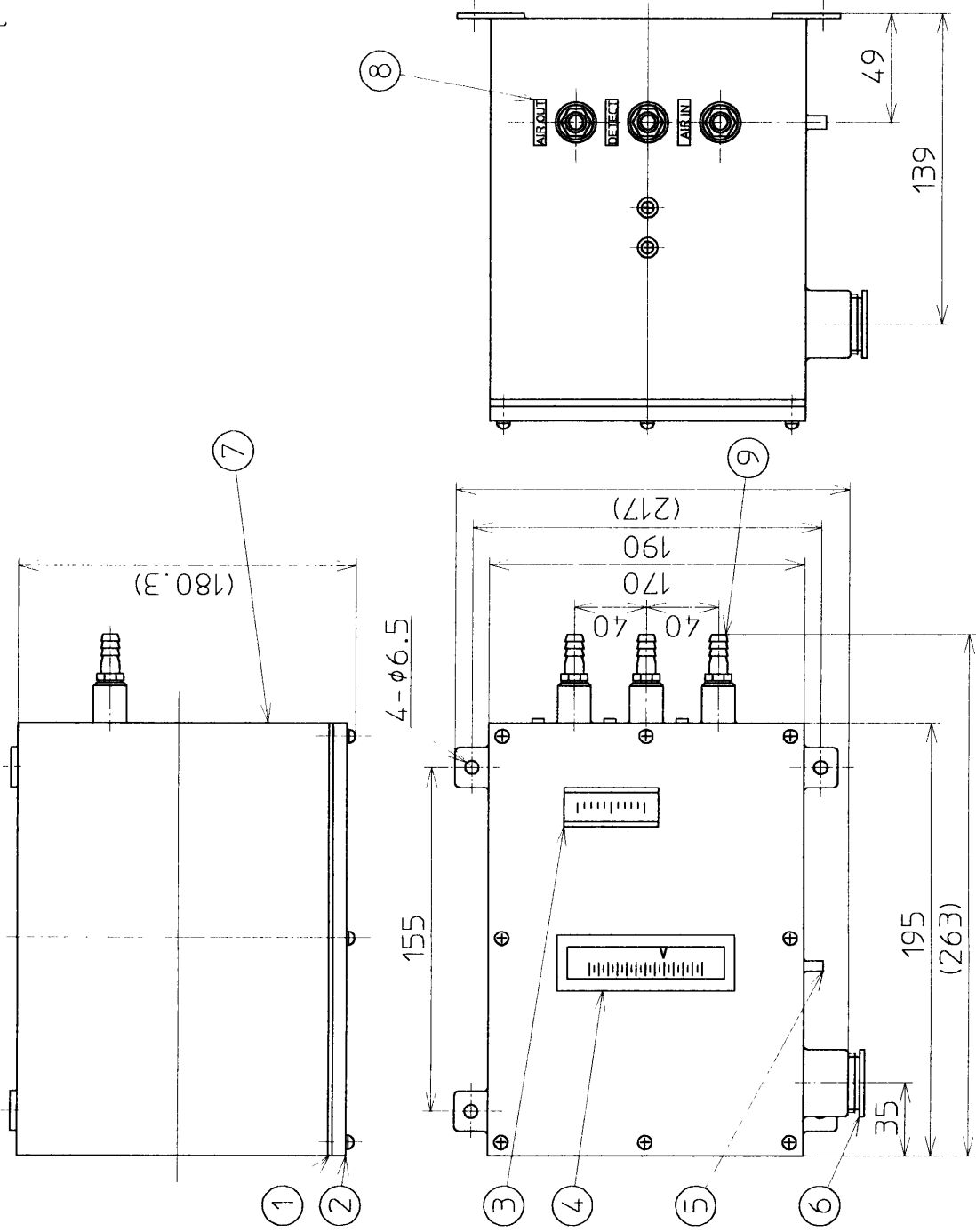


{ } : This term is defined in SI  
(The International System of Units).



9	Hose pipe nipple	3	Brass (Fitting diameter of $\phi 8$ )
8	Name plate	3	Acrylic resin
7	Housing	1	Carbon steel
6	Cable gland	1	Brass(Nickel Plating)
5	Vent pipe	1	304 stainless steel
4	Indicator	1	(Vertical type meter)
3	Flow meter	1	( $0.1-1.0$ min ( $1.7 \times 10^{-6} - 17 \times 10^{-6}$ m <sup>3</sup> /s))
2	Cover	1	Polycarbonate
1	Gasket	1	Acrylonitrile-butadiene rubber
P.No.	Name	Qty.	Material

TITLE		OUTLINE DRAWING OF AIR BUBBLER SYSTEM LEVEL CONVERTER	
DATE	04-01-'93	DR. BY	<i>H. Hoshino</i>
SCALE	N.T.S.	CH. BY	<i>T. Matsuda</i>
UNITS	MILLIMETERS	APP. BY	<i>T. Hara</i>
REV	DATE	DESCRIPTION	BY
		REVISIONS	
MODEL		LA 1000	SHEET NO.
DRAWING NO.		SA 26019	

