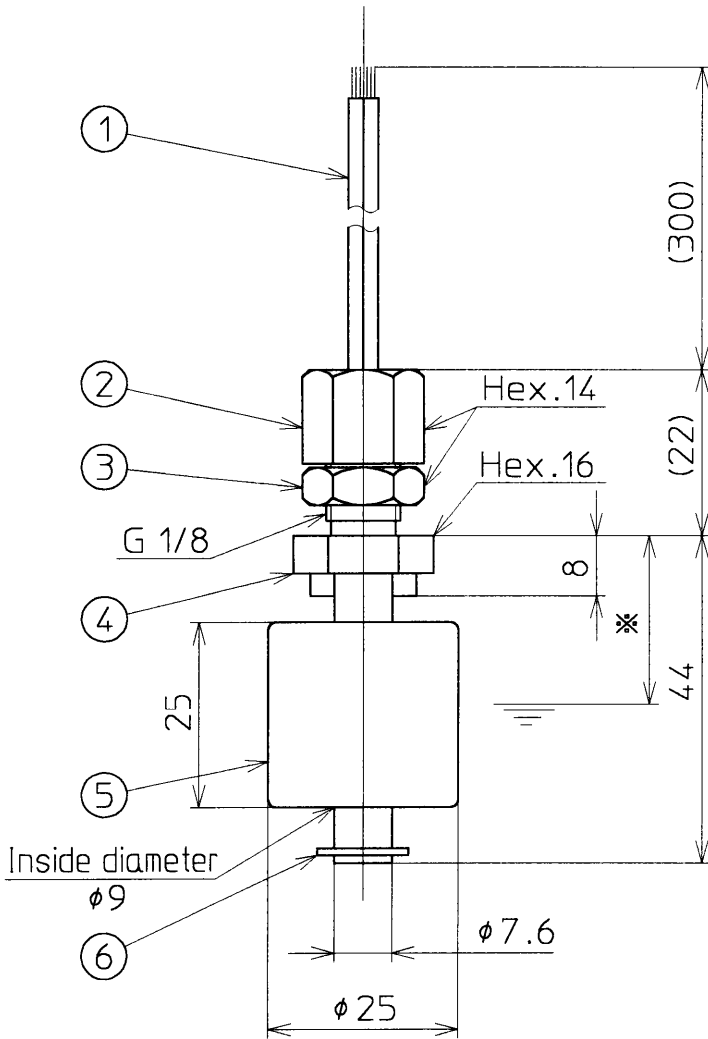
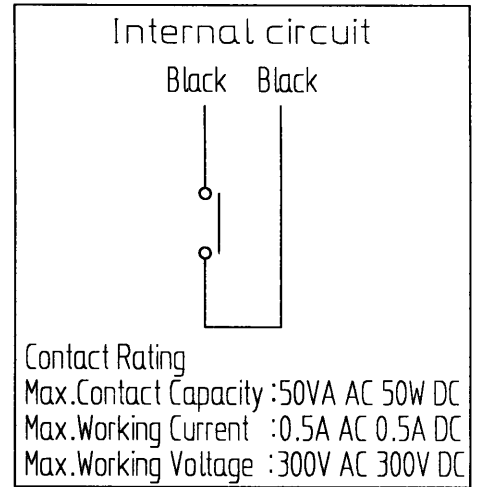


REVISIONS				
REV	DATE	DESCRIPTION	BY	APP.BY
△				
△				
△				

DRAWING NO. CA 123047



Note ※
 · Actuation Level (SG=1.0)

↑ ON	22.5mm ±2
↓ ON	24.5mm ±2

· Standard setting is ↓ ON
 · The operation of the switch, ↓ ON or ↑ ON, is easily changed by removing a float travel stop and inverting the float.

Lead wire :UL1430 AWG22

6	Float travel stop	1	316 Stainless steel
5	Float	1	Foamed NBR+ Phenolic
4	Housing	1	Polyacetal
3	Fitting nut	1	Polyacetal
2	Union nut	1	Polyacetal
1	Lead wire	2	XLPVC
P.No.	Name	Qty.	Material

DATE	05-15- '96	DR.BY	<i>[Signature]</i>	TITLE	OUTLINE DRAWING OF MINIATURE FLOAT SENSOR		
SCALE	N.T.S.	CH.BY	<i>[Signature]</i>	MODEL	OLV-2A		
UNITS	MILLIMETERS	APP.BY	<i>[Signature]</i>	DRAWING NO.	CA 123047		
		NOHKEN INC. OSAKA, JAPAN					