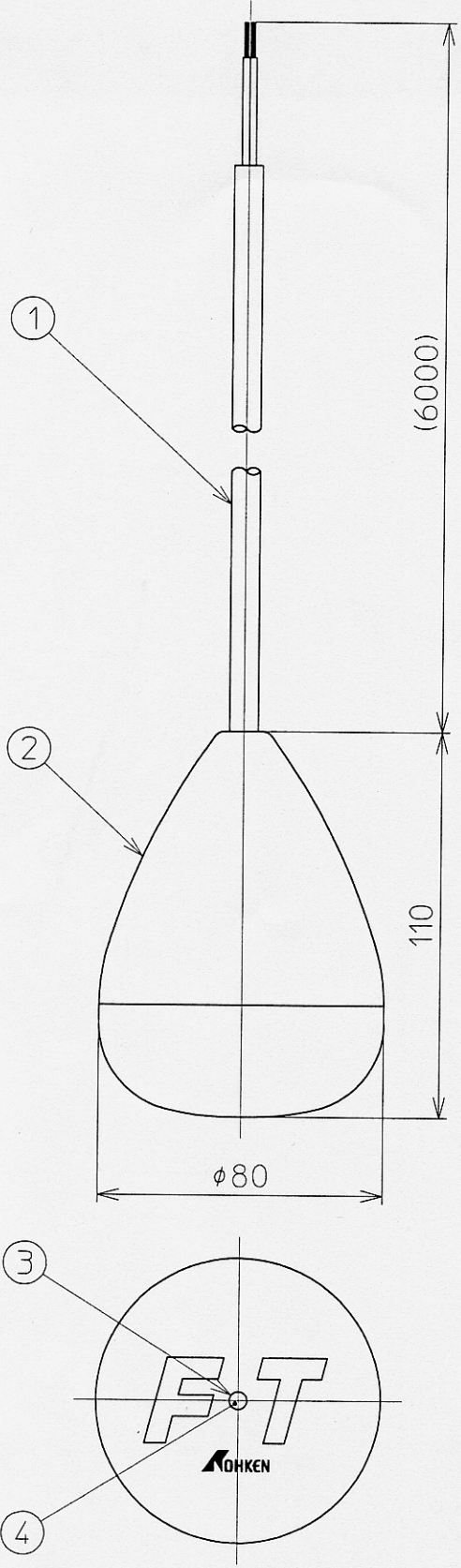


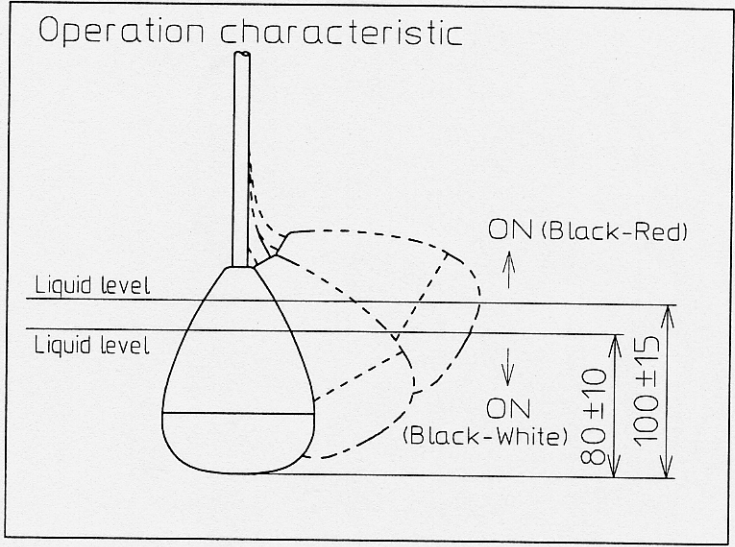
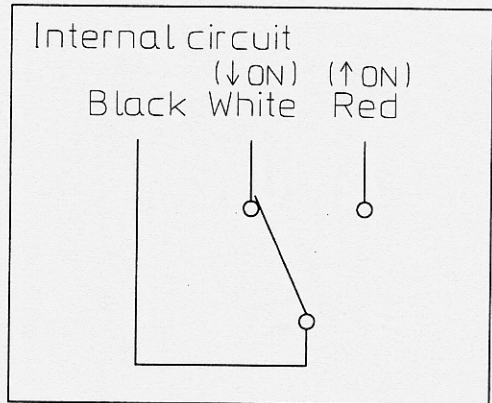
REVISIONS				
REV	DATE	DESCRIPTION	BY	APP.BY
△				
△				
△				

DRAWING NO. SA 902006 △



Specifications

- Specific gravity : 0.9 Min.
- Withstand pressure : 200kPa Max.
- Working temperature : -10 to +50 °c
- Contact rating (With Resistive Load)
- Max. Working current : 3A AC , 3A DC
- Max. Working voltage : 250V AC , 30V DC
- Min. Working load : 0.8W (5V DC Min.)



P.No.	Name	Qty.	Material
4	Filler	-	Epoxy resin (White)
3	Tapping screw	1	Steel structure
2	Float	1	ABS
1	Cable	1	PVC (VCTF 3x0.75mm ²)

DATE 11-28-'00	DR.BY <i>K. Tanaka</i>
SCALE N.T.S.	CH.BY <i>A. Iwata</i>
UNITS MILLIMETERS	APP.BY <i>S. Mori</i>

TITLE	OUTLINE DRAWING OF CABLE SUSPENDED FLOAT SENSOR		
MODEL	FT-3C		
DRAWING NO.	SA 902006 △		

