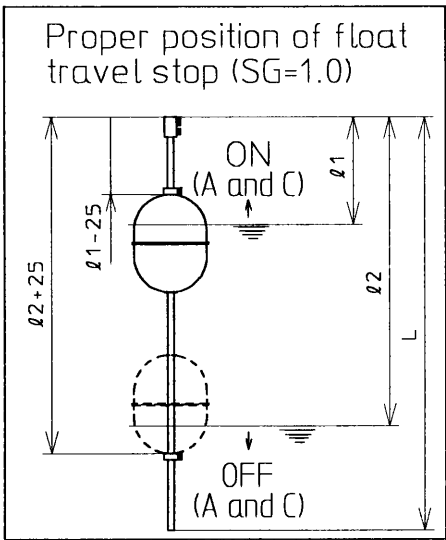
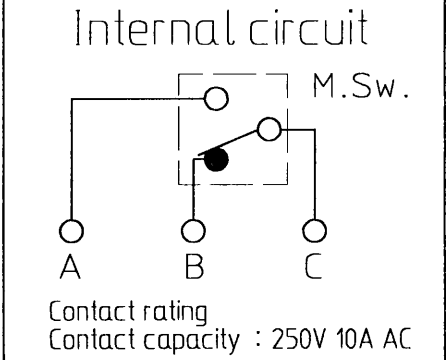
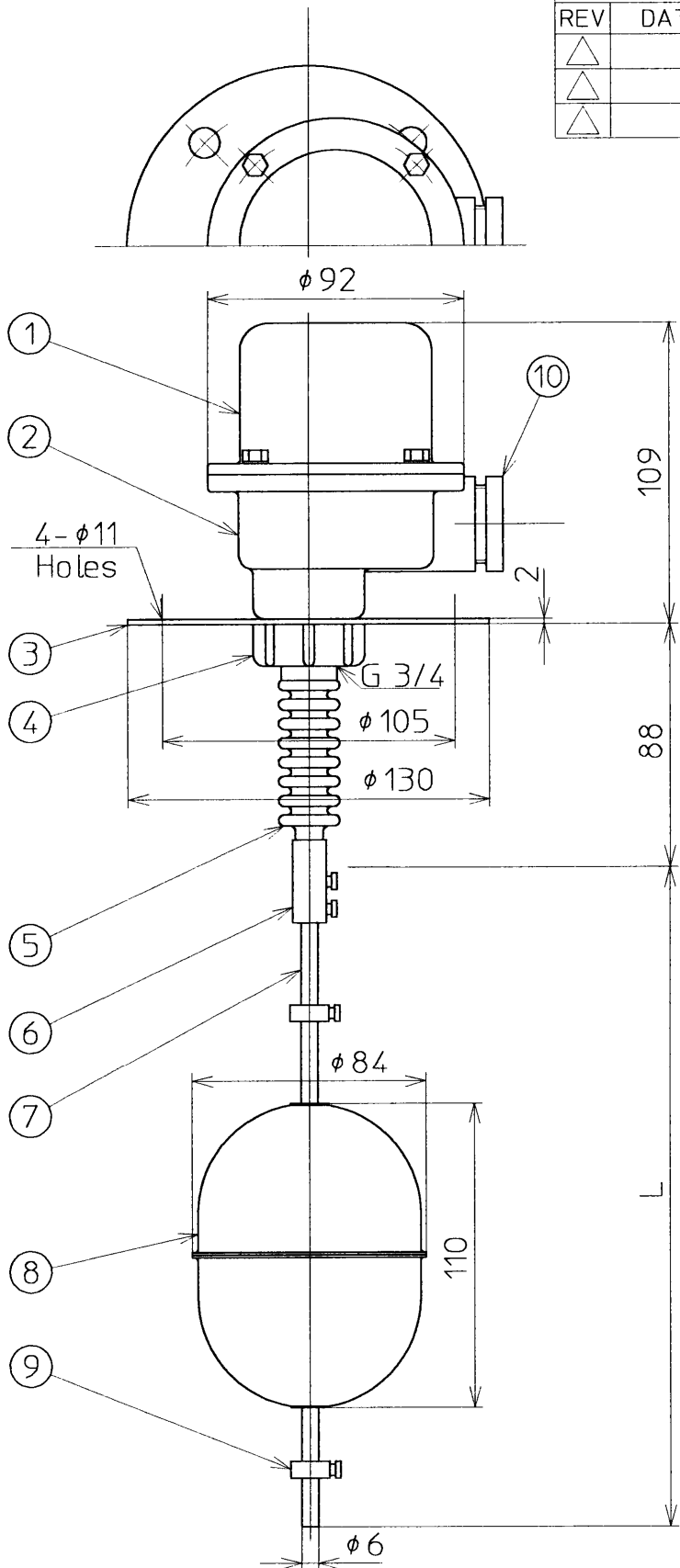


REVISIONS				
REV	DATE	DESCRIPTION	BY	APP. BY
△		CA131002より変更		
△				
△				

DRAWING NO. CA 131004 △



Tag No.	
L	
Qty.	

P.No.	Name	Qty.	Material
10	Cable gland	1	Acrylonitrile-butadiene-styrene
9	Float travel stop	2	304 Stainless steel
8	Float	1	304 Stainless steel
7	Rod	1	304 Stainless steel
6	Connector	1	304 Stainless steel
5	Bellows	1	Chloroprene rubber
4	Mounting nut	1	PM-GE
3	Flange	1	304 Stainless steel
2	Tarminal box	1	PM-EG
1	Cover	1	Polypropylene

Cable inlet : Equivalent JIS F 20a (G 3/4)

DATE 11-20-'96	DR. BY <i>S. Nagakima</i>
SCALE N.T.S.	CH. BY <i>H. Mori</i>
UNITS MILLIMETERS	APP. BY <i>J. Kawakita</i>

TITLE	OUTLINE DRAWING OF FLOAT TYPE LEVEL SWITCH	
MODEL	FS-2S	SHEET NO.
DRAWING NO.	CA 131004 △	



NOHKEN INC.
OSAKA, JAPAN