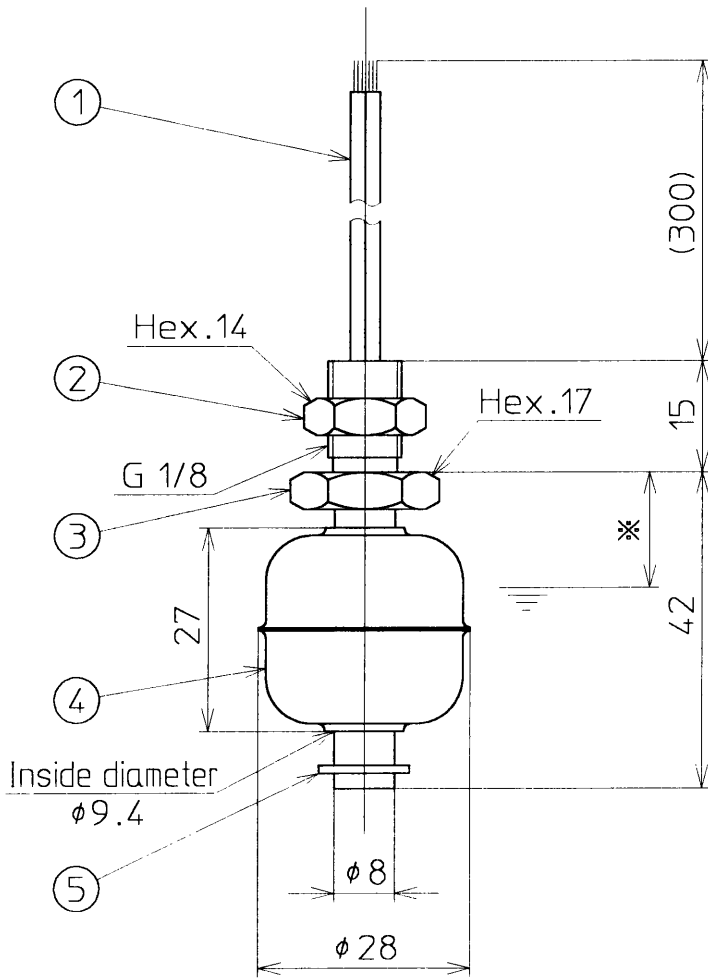
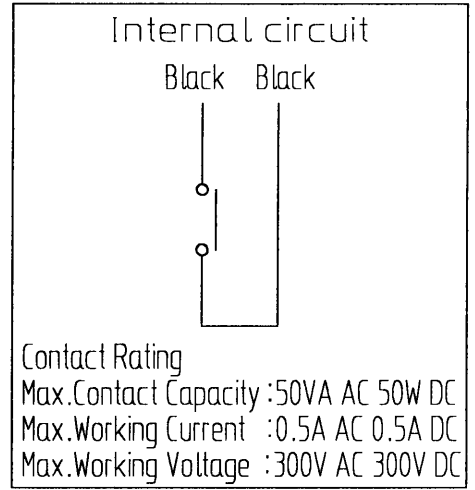


REVISIONS				
REV	DATE	DESCRIPTION	BY	APP. BY
△				
△				
△				

DRAWING NO. SA 900039 △



Note ※
 · Actuation Level (SG=1.0)

↑ ON	16.5mm ±2
↓ ON	

- Standard setting is ↓ ON
- The operation of the switch, ↓ ON or ↑ ON, is easily changed by removing a float travel stop and inverting the float.

Lead wire : UL1430 AWG22

5	Float travel stop	1	316 Stainless steel
4	Float	1	316L Stainless steel
3	Housing	1	316 Stainless steel
2	Fitting nut	1	316 Stainless steel
1	Lead wire	2	XLPVC
P No.	Name	Qty.	Material

DATE	08-01-'97	DR. BY	<i>S. Nagashima</i>	TITLE	OUTLINE DRAWING OF MINIATURE FLOAT SENSOR		
SCALE	N.T.S.	CH. BY	<i>M. Yamamoto</i>				
UNITS	MILLIMETERS	APP. BY	<i>J. Kawai</i>				
				MODEL	OLV-5		
				DRAWING NO.	SA 900039 △		



NOHKEN INC.
OSAKA, JAPAN